

SERVICE NOTE BOOK
WINE COOLER



VIKING RANGE CORPORATION

VIKING RANGE CORPORATION, P.O. DRAWER 956, GREENWOOD, MS. USA

TABLE OF CONTENTS

Installation-----	3
Reversible Door-----	4
Electrical Requirements-----	4
Troubleshooting Guide-----	5
Wiring Diagram-----	6
Parts List-----	7

WINE COOLER

Unpack;

- Remove banding from carton. Lift carton up and off the wine cooler.
- Remove all tape and packaging material from the outside and inside of the cabinet.
- Keep all carton packaging until your wine cooler has been thoroughly inspected and found to be in good condition.

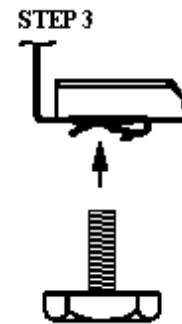
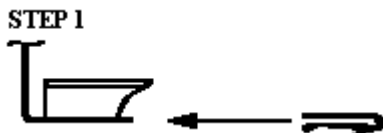
Locate Unit;

This unit must be installed in an area protected from the elements, such as wind, rain, water (spray or drip).

- Place unit so the front side will be completely unobstructed to provide proper air flow.
- Area should be well ventilated with the temperature above 55° and 110°F. Best results are obtained at temperatures between 65° and 80°.
- Provisions for electricity should be determined before placing unit in proper place.
- The unit may be closed in on the top and three sides, but the front **MUST BE** unobstructed for air circulation and proper operation. Installation should be such that the cabinet can be moved for servicing if necessary.

Leg / Glide Installation;

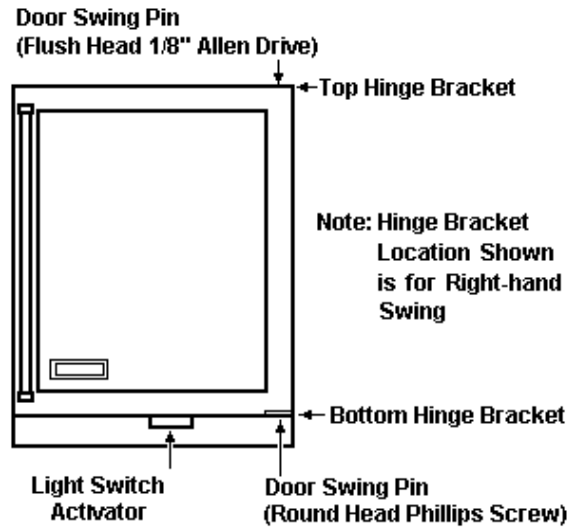
- Align the four (4) U-clips (nuts) with the holes in the bottom of the frame as shown in the assembly sequence section below. Note the direction of the tangs on the clip. These must be located on the bottom of the flange as shown. Incorrect installation, with tangs on top, will destroy the U-clip and make it useless.
- Screw glides into U-clips. Glides should be screwed in until snug and then backed off to level unit. **WARNING:** The U-clips intended for glide use only! Do not place clips on unit without using glides as this will scratch or damage the floor surface. Personal injury may occur.



- After placing unit in position, check to make certain the unit is level side to side and front to back.
- Accurate leveling es essential for proper operation.

Reversible Door

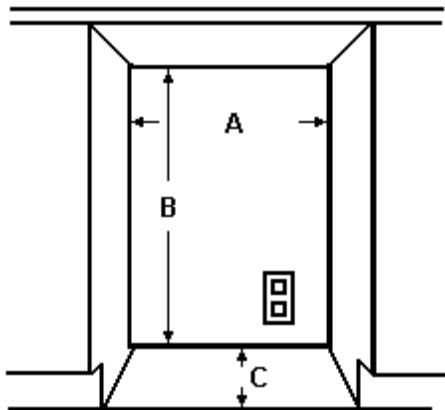
You can change the door swing from right to left hand very easily. Simply unscrew the top hinge bracket, lift door off of the bottom hinge bracket. Flip the door, remove the light switch activator and replace the light switch activator on the other end of the door. Remove the door swing pins from the top and bottom hinges. Move the bottom, right hinge bracket to the upper, left side of the cabinet and fasten it in place with its original mounting screws. Move the top, right hinge bracket to the lower left side of the cabinet and fasten with its original screws. Fasten the door swing pin with the round head to the bottom left hinge, place the plastic washer over the door swing pin and on the top surface of the bottom, left hinge. Position the door on the bottom, left hinge and push the door under the top, left hinge. Line-up top left hinge hole with the top door bushing hole and insert screw down the door swing pin with a 1/8" Allen drive until its head is flush with the top surface of the top, left hinge. Reposition the logo. Your installation is complete.



Electrical Requirements

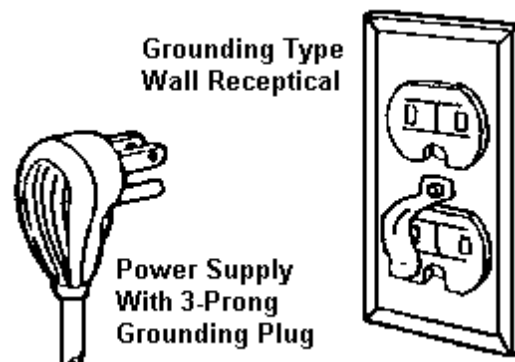
A 120 volt, 60 Hz, AC only 15 amp fused electrical supply is required. (A time delay fuse or circuit breaker is recommended.) It is recommended that a separate circuit, serving only this appliance, be provided. DO NOT use an extension cord.

ELECTRICAL GROUND IS REQUIRED ON THIS APPLIANCE. DO NOT UNDER ANY CIRCUMSTANCES REMOVE THE POWER SUPPLY CORD GROUNDING PLUG.



A	24"
B	34 5/8"
C	Min. 22 1/2"

24" width for cabinet only. 24 1/4" needed for cabinet and door width clearance if door is to be recessed between cabinets.



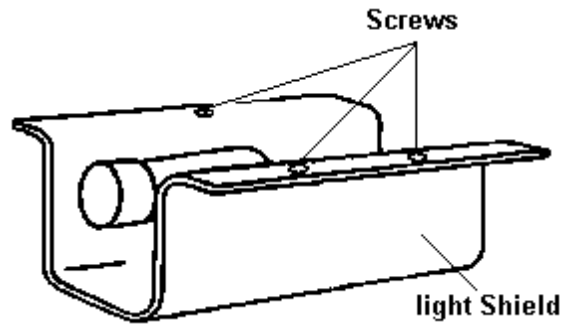
WINE COOLER

Problem	Possible Cause / Solution
Odor in cabinet	Interior needs cleaning
Noisy operation / cabinet vibrates	Cabinet not level; weak floor.
Cabinet light not working	Bulb burned out; no power to outlet.
Appliance will not run	Temperature control turned to "OFF"; line cord not
Appliance runs too long	Prolonged door openings; control set too cold;
Moisture collects inside	Too many door openings; Prolonged door openings; hot, humid weather increases condensation.
Moisture collects on outside surface	Hot humid weather increases condensation; as
Interior too hot / too cold	Control improperly set; faulty thermostat; relocate

Light Bulb Replacement

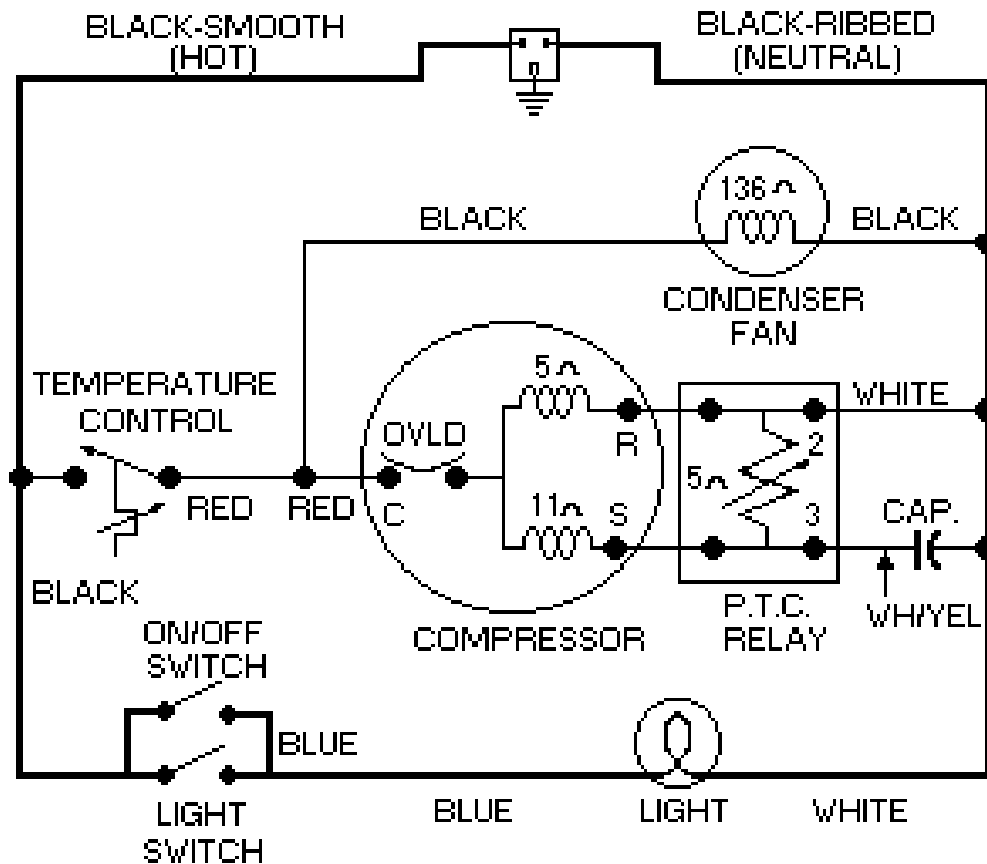
IT IS RECOMMENDED THAT YOU DISCONNECT THE POWER CORD BEFORE ATTEMPTING LIGHT BULB REPLACEMENT.

The unit uses a 15-watt, intermediate base bulb and is located inside the light shield. The light shield is on the ceiling of the unit and is held in place by the use of three screws. Remove the three screws and light shield to remove the light bulb. Do not place bulb with a bulb higher than 15 watts.



WIRING DIAGRAM

24" Wide Wine Cooler



WARNING: ELECTRICAL GROUNDING INSTRUCTIONS

This appliance is equipped with a three prong grounding plug for your protection against shock hazard and should be plugged directly into a properly grounded three prong receptacle. Do not cut or remove the grounding prong from this plug.

VIKING WINE COOLER

PART #	DESCRIPTION
	GLIDE ASSEMBLY
PW200001	EVAPORATOR ASSEMBLY (42051307)
PW200011	"P" CLAMP & SCREW ASSEMBLY
PW200012	EVAPORATOR PORT CAPS ASSEMBLY
PW200013	TRIM PKG. SCREWS ASSEMBLY
PW200022	COMPRESSOR ASSEMBLY
PW210001	VIKING CABINET ASSEMBLY
PW210003	GRILLE, BLACK ASSEMBLY (41001525)
PW210004	WIRE RACK ASSEMBLY (1220053D)
PW210005	FRONT SHROUD ASSEMBLY
PW210006	WIRE RACK ASSEMBLY (1220050D)
PW210007	WINE RACK ASSEMBLY
PW210008	WINE RACK ASSEMBLY
PW210009	BACK SHROUD AWWSEMBLY (41003617)
PW210010	BACK PANEL KIT
PW210011	BASE PLATE ASSEMBLY (41005085)
PW210012	DRIP TRAY ASSEMBLY
PW210013	FAN SHROUD ASSEMBLY (14003626)
PW210014	DRIP PAN ASSEMBLY
PW220001	LIGHT COVER ASSEMBLY
PW220002	LIGHT SHIELD ASSEMBLY
PW220003	BLK - STR - PLT ASSEMBLY (41003658)
PW220004	HINGE ASSEMBLY
PW230001	WIRING LABLS ASSEMBLY
PW230002	LABEL ASSEMBLY R134A
PW230003	EVAPORATOR TRIM ASSEMBLY 61AR
PW230004	T - STAT KNOB ASSEMBLY (41002094)
PW230005	DOOR GASKET ASSEMBLY
PW230006	VIKING DOOR ASSEMBLY
PW230007	VIKING DOOR NAME PLATE
PW230008	VIKING DOOR FRAME ASSEMBLY
PW240002	POWER CORD ASSEMBLY (41005083)
PW240003	DRIER ASSEMBLY
PW240005	FAN ASSEMBLY
PW240007	
PW240008	TERMINAL BLOCK ASSEMBLY (41005078)
PW240012	RUN CAPACITOR ASSEMBLY
PW240013	LIGHT ASSEMBLY
PW240014	LIGHT BULB
PW240015	THERMOSTAT ASSEMBLY
PW240016	SWITCH ASSEMBLY (41004651)
PW240017	SWITCH ASSEMBLY (41002960)
PW240018	DRAIN TUBE ASSEMBLY (101002960)
PW24004	CONDENSER ASSEMBLY

Filename: WineCooler07.doc
Directory: D:\VBCODE\IPLUTILS\PDFGenerator\InputData\F90572 Wine Cooler (24in)
Template: C:\Documents and Settings\tomw.EYECOM\Application
Data\Microsoft\Templates\Normal.dot
Title: VIKING WINE COOLER
Subject:
Author: Viking Range
Keywords:
Comments:
Creation Date: 10/12/2001 10:54 AM
Change Number: 6
Last Saved On: 3/28/2003 4:32 PM
Last Saved By: Ken Sievert
Total Editing Time: 4 Minutes
Last Printed On: 3/28/2003 7:06 PM
As of Last Complete Printing
Number of Pages: 1
Number of Words: 224 (approx.)
Number of Characters: 1,278 (approx.)