

# Service

This manual is to be used by qualified appliance technicians only. Maytag does not assume any responsibility for property damage or personal injury for improper service procedures done by an unqualified person.

## Side-by-Side Refrigerators



**Admiral**



**JENN-AIR**

This Base Manual covers general information

Refer to individual Technical Sheet for information on specific models

This manual includes, but is not limited to the following:

### Maytag

MSB1542ARW/A  
MSB2354ARW/A  
MSB2554ARW/A  
MSD2142ARW/A  
MSD2143ARW/A  
MSD2346AEW/A/B  
MSD2354ARW/A  
MSD2356AEW/A/B  
MSD2543ARW/A  
MSD2554ARW/A  
MSD2556AEW/A/B  
MSD2754ARW/A  
MSD2756AEA/W/B  
MSD2757AEA/W/B  
MSD2758DRW/B/Q  
MSD2759DRW/B/Q  
MSD2959DRW/B/Q

### Jenn-Air

JCB2388ARW/A/B  
JCB2388ATW/A/B  
JCD2289AEW/A/B-F/G/K/R/S/U  
JCD2289ATW/B  
JSD2388AEW/A/B  
JSD2574ARW/B  
JSD2588AEW/A/B  
JSD2774ARW/B  
JSD2789AEW/A/B/S  
JSD2789ATW/B  
JSD2989AEW/A/B

### Admiral

ASD2514ARW/A

### Magic Chef

CSB2121ARW  
CSB2122ARW/A  
CSB2323ARW/A  
CSD2122ARW/A  
CSD2123ARW/A  
CSD2324ARW/A  
CSD2325ARW/A  
CSD2524ARW/A  
CSD2525ARW/A  
CSD2725ARW/A

**MAYTAG**®

---

# SAFETY PRECAUTIONS

THIS MANUAL IS TO BE USED ONLY BY A MAYTAG AUTHORIZED SERVICE TECHNICIAN FAMILIAR WITH AND KNOWLEDGEABLE OF PROPER SAFETY AND SERVICING PROCEDURES AND POSSESSING HIGH QUALITY TESTING EQUIPMENT ASSOCIATED WITH MICROWAVE, GAS, AND ELECTRICAL APPLIANCE REPAIR.

ALL INDIVIDUALS WHO ATTEMPT REPAIRS BY IMPROPER MEANS OR ADJUSTMENTS, SUBJECT THEMSELVES AND OTHERS TO THE RISK OF SERIOUS OR FATAL INJURY.

*USE ONLY GENUINE MAYTAG APPROVED FACTORY REPLACEMENT COMPONENTS.*

---

# INTRODUCTION

This refrigeration service manual provides the information necessary to service Side-by-Side model refrigerators.

**NOTE: ALL MODELS COVERED IN THIS SERVICE MANUAL USE R134A REFRIGERANT.**

The manual is printed in loose leaf format. Each part of this manual is divided into sections relating to a general group of components and each section is subdivided into various parts describing a particular component or service procedure.

The subdividing of the subject matter, plus the loose leaf form, will facilitate the updating of the manual as new models, and new or revised components of service procedures are introduced.

Each page of this manual will be identified in the lower right hand corner. As new or revised pages are published, it will be easy to keep the manual up to date.

This service manual is a valuable service tool and care should be taken to keep it up to date by prompt and proper filing of subsequent pages as they are issued.

**ALL "E" MODELS ARE ENERGY MODELS, AND HAVE A PREMIUM SOUND PACKAGE.**



---

# CONTENTS

GENERAL SAFETY PRECAUTIONS .....	i
INTRODUCTION .....	ii
CONTENTS .....	iv
<b>SECTION 1. GENERAL INFORMATION .....</b>	<b>1-1</b>
ELECTRICAL REQUIREMENTS .....	1-1
SAFETY PRECAUTIONS .....	1-1
Grounding Instructions .....	1-1
FORCED AIR SYSTEMS .....	1-2
AIR FLOW - FORCED AIR SYSTEMS .....	1-2
CHECKING OPERATION .....	1-3
TOOLS NEEDED FOR R134A SEALED SYSTEM REPAIR .....	1-4
ADDITIONAL SYSTEM INFORMATION .....	1-5
R134A SEALED SYSTEM SERVICE PROCEDURE .....	1-7
REFRIGERATION SYSTEM .....	1-8
REFRIGERATION CYCLE .....	1-9
DIAGNOSIS .....	1-10
SEALED SYSTEM DIAGNOSIS .....	1-10
LEAK TESTING .....	1-12
COMPONENTS .....	1-13
Drier .....	1-13
Condenser .....	1-13
Yoder Loop .....	1-14
Evaporator .....	1-15
Heat Exchanger .....	1-15
Compressor .....	1-15
SYSTEM FLUSH .....	1-15
SEALED SYSTEM REPAIR SUMMARY .....	1-16
SYSTEM FLUSH PROCEDURE .....	1-16
SWEEP AND FINAL CHARGE .....	1-19
<b>SECTION 2. COMPONENTS .....</b>	<b>2-1</b>
COMPRESSOR REPLACEMENT .....	2-1
REPLACING THE COMPRESSOR .....	2-1
CONDENSER REPLACEMENT .....	2-2
ELECTRICAL SYSTEM .....	2-4
Testing the Compressor Direct .....	2-4
Overload Protector .....	2-5
Testing the Overload Protector .....	2-5
PTC STARTING DEVICE AND RUN CAPACITOR .....	2-6
PTC Device Replacement .....	2-7
RUN CAPACITOR .....	2-7
Testing the Capacitor .....	2-7
Alternate Method Using Ohmmeter .....	2-7
TEMPERATURE CONTROL .....	2-8
Checking Operating Temperatures .....	2-8
Temperature Control Replacement .....	2-9

AUTO DAMPER CONTROL MODELS .....	2-10
Checking the Auto Damper .....	2-11
Auto Damper Control Replacement .....	2-11
AUTO DAMPER CONTROL - Exploded View .....	2-12
DEFROST TIMER .....	2-13
Checking the Defrost Timer .....	2-14
Timer Replacement .....	2-14
ADAPTIVE DEFROST CONTROL .....	2-14
Checking the Adaptive Defrost Control .....	2-15
AIR FLOW - FORCED AIR SYSTEMS .....	2-15
DEFROST HEATER REPLACEMENT .....	2-17
DEFROST THERMOSTAT REPLACEMENT .....	2-17
CONDENSER FAN MOTOR .....	2-18
To Check Condenser Motor Direct .....	2-18
Condenser Fan Motor Replacement .....	2-19
FREEZER FAN MOTOR .....	2-19
Freezer Fan Motor Diagnosis .....	2-19
Freezer Fan Motor Replacement .....	2-20
<b>SECTION 3. CABINET &amp; RELATED COMPONENTS .....</b>	<b>3-1</b>
ADJUSTABLE CANTILEVER SHELVES.....	3-1
ADJUSTABLE CANTILEVER SHELF TRIMS .....	3-1
CABINET DOORS AND ASSOCIATED PARTS .....	3-1
Inner Door Liner Replacement .....	3-1
Outer Door Panel Replacement .....	3-2
FRONT WHEEL ASSEMBLY.....	3-2
CABINET LEVELING .....	3-2
DOOR SEAL .....	3-3
TOE-IN & TOE-OUT ADJUSTMENTS.....	3-3
HINGE ADJUSTMENTS .....	3-3
DOOR ALIGNMENT .....	3-4
DOOR SWITCH .....	3-4
WATER/ICE DISPENSER FREEZER DOOR REMOVAL .....	3-4
FOUNTAIN ASSEMBLY - Manual Slide Control.....	3-6
Ice and Water Fountain Bracket Assembly Removal .....	3-6
Checking and Replacing the Crusher and Water/Cube Switch .....	3-6
Checking and Replacing the Actuating Switch .....	3-7
Fountain Heater .....	3-7
PC BOARD CHECKS .....	3-8
Fountain Door Delay .....	3-7
Excessive Door Delay.....	3-7
Short Door Delay.....	3-7
FOUNTAIN ASSEMBLY - Electronic Control .....	3-8
Ice and Water Fountain Bracket Removal .....	3-8
Fountain Bracket Assembly .....	3-9
Checking and Replacing the Actuator Switch.....	3-9
Electronic Control Board Troubleshooting.....	3-9
ICE CRUSHER BIN AND SHELF ASSEMBLY.....	3-10
ICE/CRUSHER BIN SHELF ENCLOSURE ASSEMBLY .....	3-11

<b>SECTION 4. ICEMAKER .....</b>	<b>4-1</b>
SERVICING .....	4-1
TEST PROCEDURES.....	4-1
SERVICE PROCEDURES .....	4-2
ACCESSING THE CONTROL BOX .....	4-2
MODULE COMPONENTS .....	4-3
WATER FILL ADJUSTMENT.....	4-4
WATER PROBLEMS .....	4-5
TEMPERATURE PROBLEMS.....	4-5
THERMOSTAT .....	4-5
INSTALLATION .....	4-6
HARNESS.....	4-6
LEVELING ICEMAKER .....	4-7
REMOVING & REPLACING FILL CUP .....	4-7
OTHER INFORMATION.....	4-8
<b>SECTION 5. TROUBLESHOOTING .....</b>	<b>5-1</b>
<b>SECTION 6. SPECIFICATIONS .....</b>	<b>6-1</b>
INDEX.....	6-1
21' DISPENSER/NON DISPENSER .....	6-2
23'/25' DISPENSER/NON DISPENSER .....	6-3
21' NON DISPENSER (MAYTAG) .....	6-4
23'/25' DISPENSER/NON DISPENSER (MAYTAG).....	6-5
23'/25' DISPENSER/NON DISPENSER (MAYTAG PREMIUM).....	6-6
<b>SECTION 7. SCHEMATICS .....</b>	<b>7-1</b>
INDEX .....	7-1
<b>Appendix A</b>	
Climate Zone Technology.....	A-1





# SECTION 1. GENERAL INFORMATION

## INSTRUCTIONS - ELECTRICAL REQUIREMENTS

It is the personal responsibility and obligation of the appliance owner to provide adequate electrical service for this appliance.

Observe all electrical and local codes and ordinances.

A 120 volt 60 Hz, 15 ampere fused electrical supply is required. An individual branch (or separate circuit serving only this appliance) is recommended.

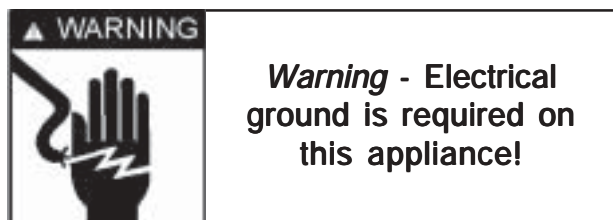
***Do not use an extension cord.***

***Before plugging in power cord, operating or testing, follow grounding instructions in Grounding Section.***

Electrical Service  
Grounding: 120 VOLTS, 60Hz Only

## IMPORTANT SAFETY PRECAUTIONS

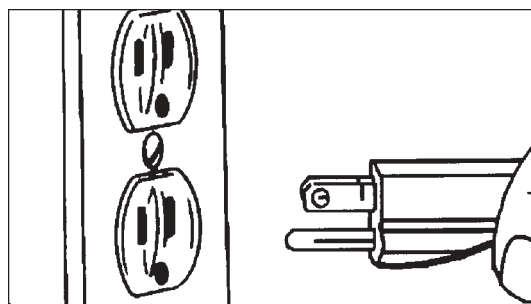
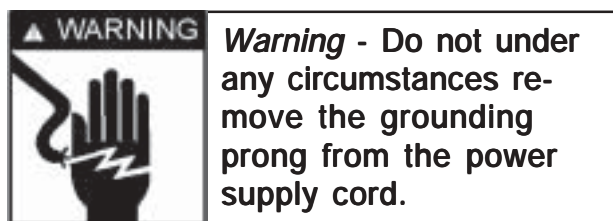
**WARNING: *Personal Injury Hazard - To prevent unnecessary risk of fire, electrical shock or personal injury, all wiring and grounding must be done in accordance with National Electrical Code and local codes and ordinances.***



## Grounding Instructions

This appliance is equipped with a power supply cord having a 3-prong grounding plug. For your safety, this cord must be plugged into a mating 3-prong type wall receptacle which is ***properly wired, grounded and polarized.***

If a mating wall receptacle is not available contact a qualified electrician to have the wall receptacle replaced. ***Do not use an AC adapter plug.*** If there is any question, local building officials or electrical utility should be consulted.

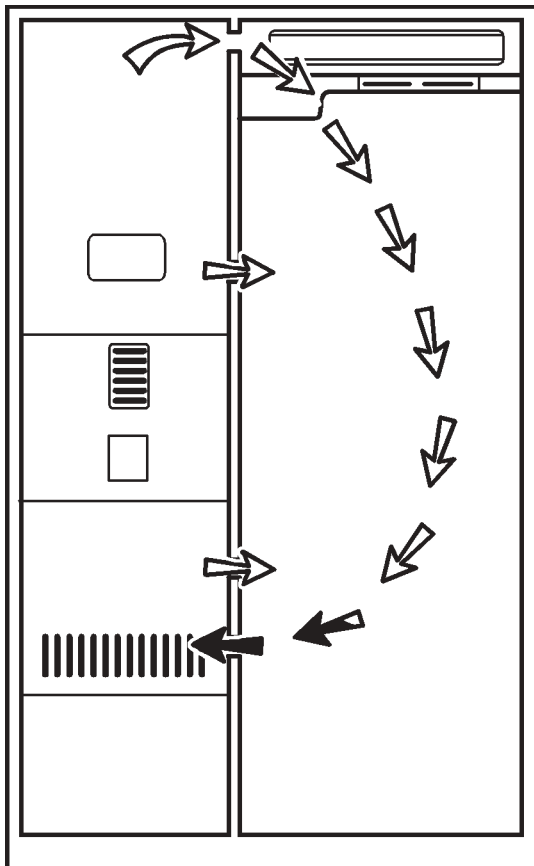


---

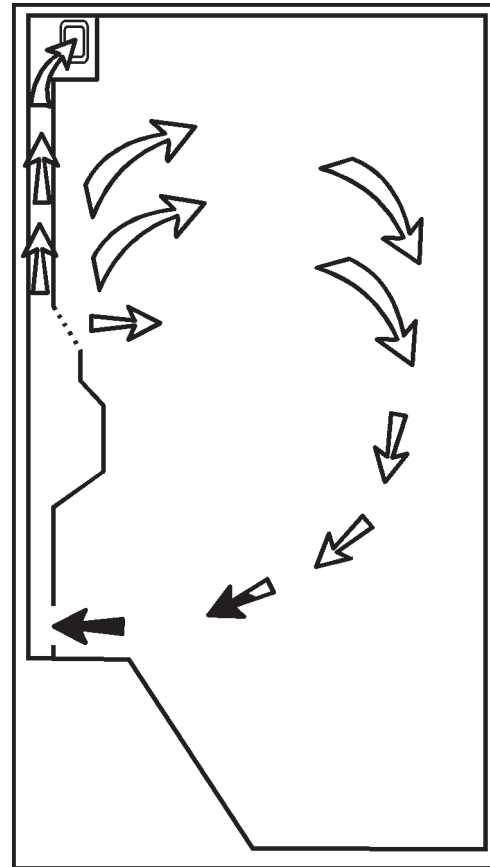
## FORCED AIR SYSTEMS

On all forced air models, an air circulating fan draws air from across the evaporator and directs it to the fresh food and freezer compartments. A carefully measured amount of chilled air is directed into the fresh food compartment through a baffle to maintain the desired fresh food compartment temperature. The greater part of chilled air is directed into the freezer compartment to maintain freezer temperature. Forced air models use a fan cooled condenser. Depending on the model, the evaporator is automatically defrosted every eight hours of compressor run time. Defrosting is accomplished by a defrost heater activated by a timer. The accumulated moisture is drained into a defrost pan located in the compressor area of the cabinet.

FRONT VIEW



FREEZER SIDE VIEW



---

## AIR FLOW - FORCED AIR SYSTEMS

The airflow balance between the fresh food and freezer compartments is an important factor in maintaining proper compartment temperatures in a forced air refrigeration system. A baffle is used to regulate the amount of chilled air directed into the fresh food compartment. If a colder freezer compartment temperature is desired, the baffle is adjusted so that less air is directed into the fresh food compartment. This causes the compressor to run longer since the thermostat sensing element is located in the fresh food compartment. Cold air is drawn across the evaporator and into the fan. A portion of the air is deflected into the fresh food compartment where it absorbs heat and returns to the fin and tube evaporator

through the return opening in the divider. However, most of the air moving across the evaporator is blown through the freezer air tunnel and circulated throughout the freezer compartment. It then circulates back across the fin and tube evaporator where it begins another cycle.

---

## CHECKING OPERATION

The following general information explains several methods for checking operation of the refrigeration system. This information applies to all systems covered in this manual. The correct operation of a refrigeration system is dependent upon the proper function of each of the parts comprising the system.

If the system does not operate properly (long run periods, warmer than normal temperatures), the trouble may be caused by one of the following conditions:

### ***(1) - Restricted Capillary Tube***

The opening of a capillary tube is about the same diameter as the period at the end of this sentence. Because of this, it is easy to restrict the tube. Extra precautions should be taken when any service procedure involves moving or touching the capillary tube. The slightest kink can cause a complete tube restriction.

Restrictions of the capillary tube may be caused by: (1) moisture freeze-up, (2) foreign particles lodged in the tube, or (3) a bend or kink.

If the capillary tube is restricted, there will be a noticeable lack of frost on all cooling surfaces; the compressor may operate for a short period of time and cycle on the

overload. Because some models can hold the entire charge in the condenser, the compressor may run continuously and a definite vacuum will be noticed in the low side. When moisture freeze-up causes a restriction, it usually occurs at the outlet end of the capillary tube. Normally, frost buildup can be detected in this area.

**NOTE:** *When using a heat gun or hair dryer, use low heat. Never use a torch.*

At the discharge end of the capillary, apply heat. If there is enough head pressure, and if the restriction is caused by moisture freeze-up, you will be able to hear a gurgling noise as the heat releases the refrigerant through the tubing.

It is possible that this moisture will be absorbed by the drier and remedy the trouble. However, if the freeze-up reoccurs, you must replace the drier.

A kink in the capillary tube will reveal the same symptom as a moisture freeze-up, except for the accumulation of frost. Where possible, check the capillary tube and straighten any kinks to relieve the restrictions. Check the unit operation. If the condition persists, replace the defective part. If the freeze-up condition does not exist and there is not a kink, you can assume that a foreign particle is causing the restrictions. The only remedy in this case is to replace the restricted part.

### ***(2) - Partial Restriction In Low Side Tubing***

Bent tubing, foreign matter, or moisture in the system may cause a partial restriction in the low side tubing. This is usually indicated by frost-free tubing between the re-

striction and the capillary tube and by frost-covered tubing between the restriction and the suction line. The restriction acts like a second capillary tube, increasing the pressure ahead of it (warming) and decreasing the pressure beyond it (cooling). To confirm the existence of a restriction in the low side tubing, perform operational pressure checks.

### **(3) - Slow Leak In System**

On forced air models, long run time will be noticed during the early stages of a leak. As the refrigerant continues to escape, both compartments will gradually warm up and the compressor will run continuously. The freezer will probably warm up first.

### **4) - Incorrect Refrigerant Charge**

The sealed unit may have too much refrigerant (overcharged system) or too little refrigerant (undercharged system). The paragraphs below will inform you on how to recognize a system with these defects.

An overcharged system may have a frost back condition appearing on the suction line. When the compressor stops, the frost melts and drips on the floor. A heat exchanger separation will also cause this symptom.

An undercharged system, depending on the degree of undercharge, will operate with temperatures above normal and the compressor run time will be increased. The greater the undercharge, the higher the temperature will be and the longer the run time.

An undercharged system must be purged, evacuated, and recharged with the proper amount of refrigerant. Before recharging, test for refrigerant leaks.

---

## **TOOLS NEEDED FOR R134A SEALED SYSTEM REPAIR**

The following list may help identify basic refrigeration tools needed:

- ALL HOSES AND EQUIPMENT MUST MEET STANDARDS FOR HANDLING R134A REFRIGERANTS
- APPROVED AND CERTIFIED RECOVERY EQUIPMENT AND RECOVERY CYLINDER (see local supplier for variety of equipment)
- MANIFOLD GAUGE SET / HOSES MUST HAVE LOW LOSS FITTINGS (Robinair 41365)
- HEATED CHARGING CYLINDER WITH R134A SCALE (Robinair 43134B)
- TEMPORARY ACCESS VALVES (2) (Robinair 40288)
- 1/4" FLARE TEE - MFL X MFL X FFL (Robinair 40399)
- 1/4" QUICK COUPLER VALVE (Robinair 40380)
- PROCESS TUBE ADAPTER SET (Robinair 12458)

### **Other tools required, but not necessarily dedicated to R134A Service:**

- TUBING CUTTER (Robinair 14987A)
- BRAZING TORCH (Robinair 12587)
- SWAGGING TOOLS (Robinair 14313)
- VOLT-WATT METER (MAYTAG CUSTOMER SERVICE 20000019)
- LEAK DETECTION EQUIPMENT FOR CFC/HCFC AND HFC OR EQUIVALENT
- PINCH-OFF TOOLS (Robinair 12294 or 12396)

**NOTE:** *Robinair equipment is listed as a reference only, equivalent substitutes may be used. Additional tools may be required for special situations.*

**LEAK DETECTOR** - Leak detectors compatible with R134A should be used. Due to the possibility of contaminating the sealed system with moisture, using soap bubbles can cause problems, especially if drawn into a low side leak. To minimize the possibility of moisture entering the system, the use of wet rags or towels to cool a brazed joint should be avoided.

**DRIERS/FILTERS** - Any time a sealed system repair is made, the drier must be replaced. The drier on R134A systems is different, using a new desiccant which provides system compatibility and proper moisture absorption. Use of the old type drier on new R134A systems would result in a repeat sealed system failure. Part number **13900-1** is the drier which must be used on R134A systems. This drier may also be used on R12 systems and will supersede the 13900 drier, but be sure that the older 13900 is **NOT** used on the R134A system. Additionally, "unsoldering" a joint, rather than the score and break method, is not acceptable due to the possibility of chemical and moisture contamination. Always cut the drier out of the system-never apply heat.

---

## ADDITIONAL SYSTEM INFORMATION

### CAUTION

*Always wear eye protection and protective clothing when handling any refrigerants.*

### **LIMIT TIME OF EXPOSURE TO THE ATMOSPHERE**

- Whenever a sealed system is repaired, do not expose an open line to the atmosphere for more than 15 minutes. Replacement components will come sealed by either brazing (drier) or plugs (compressor). Do not open the new drier to the atmosphere until you are ready to braze it into place. Before installing a new compressor, pull a plug to be sure the unit is still pressurized. If no pressure exists, do not use the compressor. If pressure exists, reinstall the plug to ensure non-contamination during the service procedure.

**LOW SIDE LEAKS** - In the event of a low side leak, moisture has probably been drawn into the system. The **compressor must be replaced** in addition to the normal repair. Also, a system flush must be made before proceeding with the sweep charge and final charge.

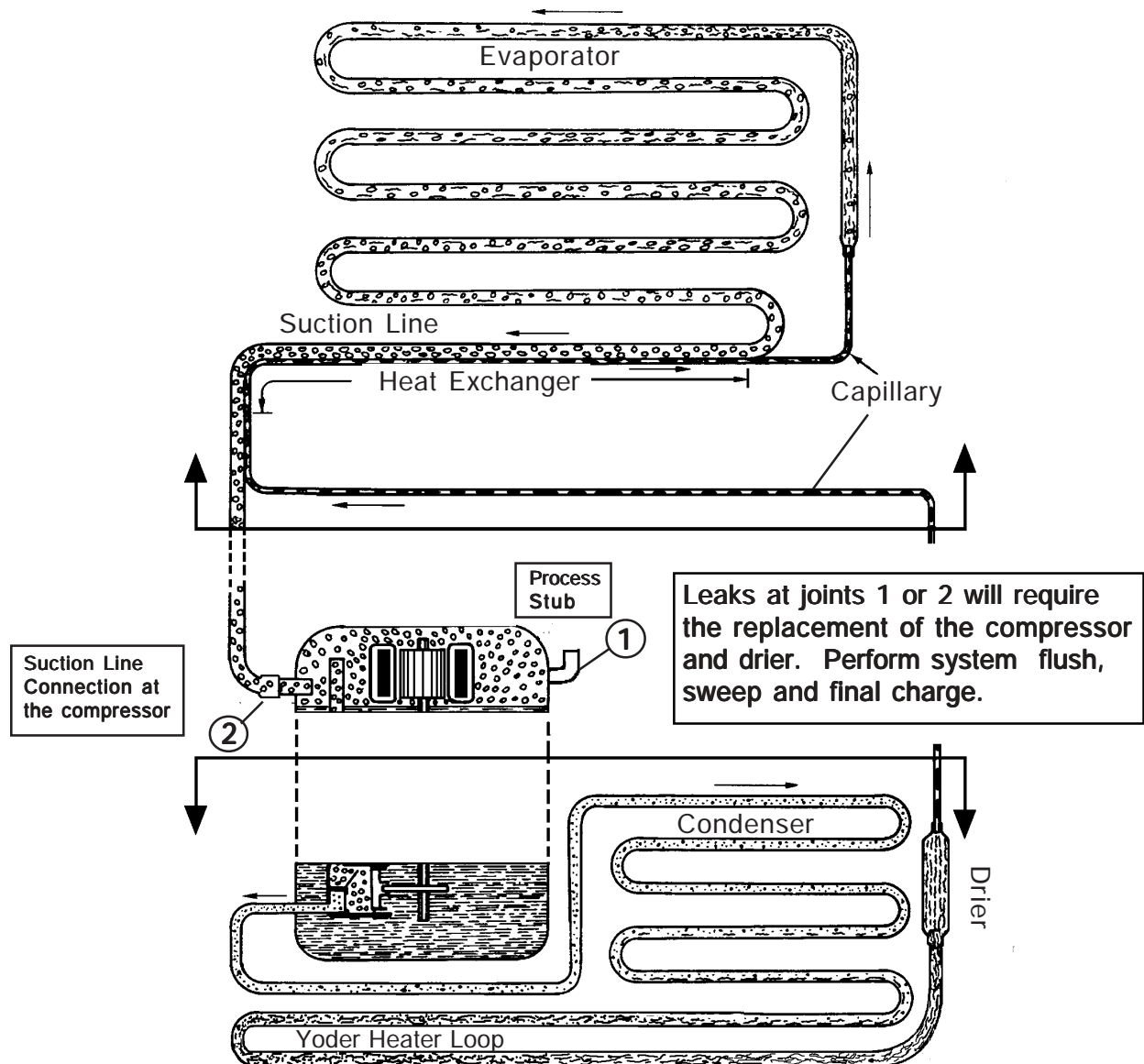
**PLUGGED CAPILLARY TUBE** - Moisture or other contaminants in the R134A system can cause the formation of gel-like or salt-type deposits within the system. This causes capillary tube restrictions which may not be removed by the flush procedure detailed later. If the restriction cannot be removed from the capillary tube, the heat exchanger, evaporator and compressor must be replaced.

**SYSTEM FLUSH** - Flushing of the system is required whenever there has been a low side leak, plugged capillary tube or compressor replacement. This is a procedure in which R134A refrigerant is flushed through the system and into the recovery system to remove moisture and non-condensables which may have entered the open system. The compressor must be isolated during the flush procedure, in order to prevent contaminants from being absorbed into the ester oil, resulting in a contaminated system.

The system flush procedure will be done in two parts. First, the condenser, including the yoder loop, will be isolated by means of process tube adapters and flushed with 4 ounces of R134A. After the drier has been replaced, the entire sealed system, minus the compressor, will also be flushed with 4 ounces of the refrigerant. This second step can take about 15 minutes in order to circulate the refrigerant through the condenser, the drier, the capillary tube, the evaporator and out the suction line into the recovery equipment. During this 15 minutes, the old compressor can be removed and the replacement set into place, mounted and prepared electrically. The compressor is totally installed except for the final brazing of the suction and discharge lines.

## R134A SEALED SYSTEM SERVICE PROCEDURE

Any sealed system failure in the upper area indicated below requires the replacement of the *evaporator, heat exchanger, drier and compressor*. Perform system flush, sweep and add final charge according to procedure shown.



Leaks or repairs to joints or components in the *lower* area require repair or replacement of the component and drier. Perform system sweep and add final charge according to normal procedure.

---

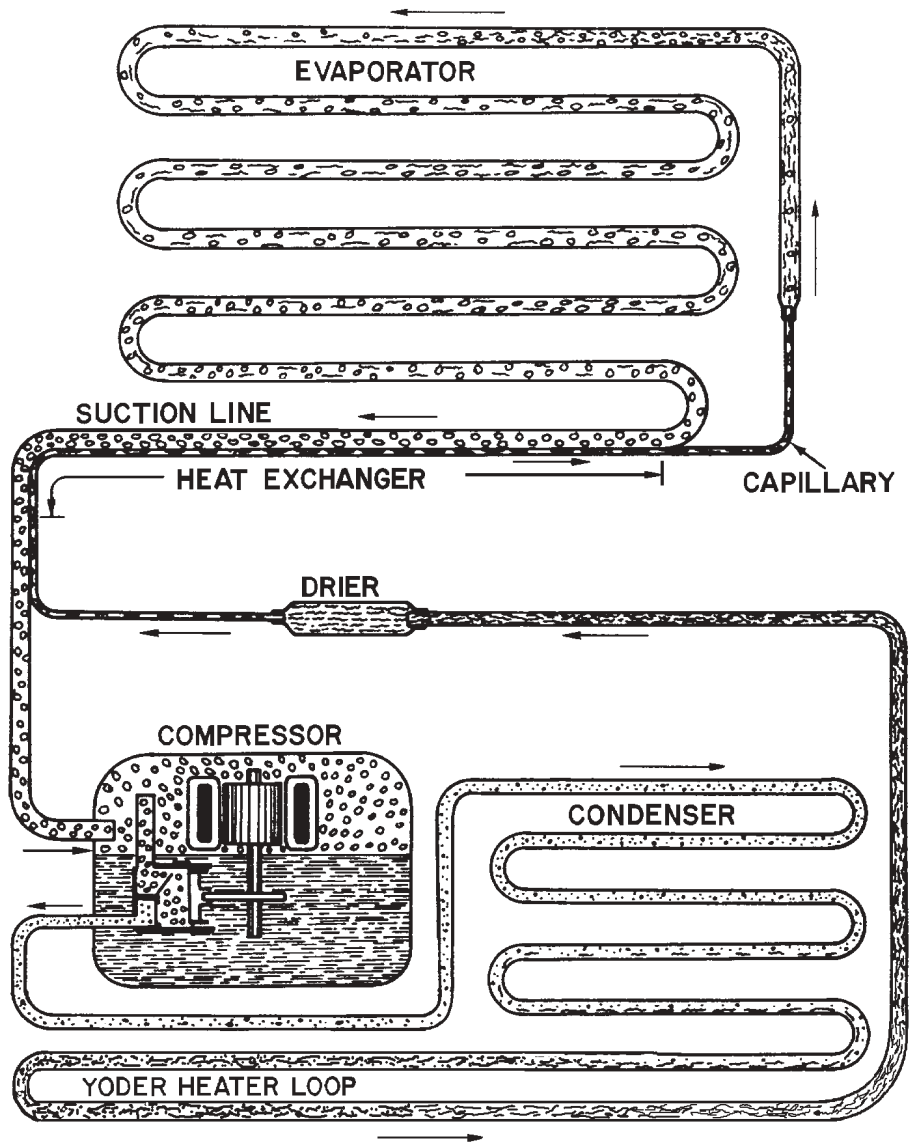
## REFRIGERATION SYSTEM



All refrigerators cool by removing heat from the cabinet rather than pumping in cool air. In a conventional refrigerator, liquid refrigerant enters the evaporator and vaporizes (boils) due to the low pressure, creating a very cold surface which removes heat from inside the cabinet. This causes the refrigerant to boil (evaporate) into a vapor state and be drawn into the compressor. The compressor pressurizes the vapor and pumps it into the condenser. The hot vapor in the condenser gives off the heat into the room. As the vapor cools, it condenses back into a liquid and returns to the evaporator to start the process over again. The system continually soaks up the heat inside the refrigerator and deposits the heat back into the room.

- The **compressor** of the refrigeration system serves two purposes: it ensures movement of the refrigerant throughout the system and it increases the pressure and temperature of the vapor received from the suction line and pumps the refrigerant into the discharge line. The condenser receives this high temperature, high pressure refrigerant and allows the heat to be released into the cooler surroundings. This heat removal "condenses" the refrigerant vapor into a liquid.
- The **yoder loop** is the last pass of the condenser routed around the cabinet of the freezer to help prevent moisture formation.
- The **drier** is installed at the end of the condenser or yoder loop to capture moisture which may be present in the system.
- The **capillary tube** meters the flow of refrigerant and creates a pressure drop. Size and length of the capillary is critical to the efficiency of the system.
- As the refrigerant leaves the capillary tube and enters the larger tubing of the **evaporator**, the sudden increase in tubing diameter, and the pumping action of the compressor, form a low pressure area. The temperature of the refrigerant drops rapidly as it changes to a mixture of liquid and vapor. In the process of passing through the evaporator, the refrigerant absorbs heat from the storage area and is gradually changed from a liquid and vapor mixture (saturated refrigerant) into a vapor.
- The **suction line** returns this low pressure vapor from the evaporator back to the compressor, and the cycle starts again.
- Part of the capillary tube is soldered to the suction line which forms a **heat exchanger**. Heat from the capillary tube is thus transferred to the suction line to superheat the refrigerant there and at the same time this further cools the liquid in the capillary tube. This cools the refrigerant before it enters the evaporator and also heats the refrigerant before it enters the compressor to ensure a vapor state.



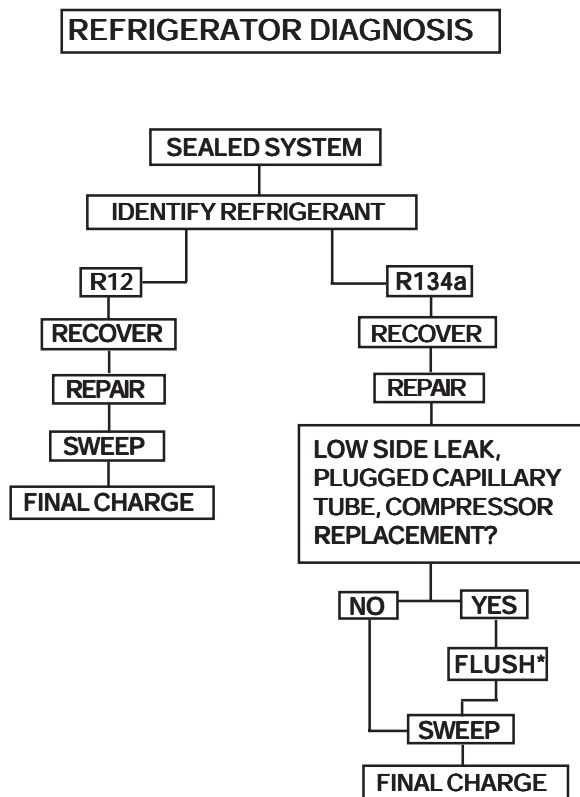
# REFRIGERATION SYSTEM



- |  |   |
|--|---|
|  GAS - HIGH PRESSURE    |  GAS + LIQUID - LOW PRESSURE |
|  LIQUID - HIGH PRESSURE |  GAS - LOW PRESSURE          |
|  |  OIL                         |

## DIAGNOSIS

Sealed system diagnosis of R134A refrigerant systems is to be performed identically to that of R12 systems. In fact, as shown in the following flow chart, the service procedures are virtually the same, except for low side leaks, plugged capillary tube or compressor failure which results in a system flush.



\* FLUSH INCLUDES COMPRESSOR REPLACEMENT

Remember, before entering the sealed system, all other systems must be tested and properly repaired. These include the electrical system, defrost system, control operation, and air flow systems: evaporator and condenser motors. **Before "turning a screwdriver", many checks can be made simply by using your senses:**

### LISTEN:

- What is the customer complaint?
- Are the fans operating?
- Is the compressor operating?

### LOOK:

- Are ice cubes present?
- Is the light on/off when the switch is operated?
- Are the controls set properly?
- Do door gaskets seal properly?
- Is there an ice buildup on the evaporator cover?
- Are the return air ducts free of ice?

### TOUCH:

- Is the evaporator cover warm?
- Is air felt exhausting from the kick plate?
- Is air circulating in the freezer and fresh food compartments?
- Is the quarter inch discharge line from the compressor hot?
- Is the condenser warm?

## SEALED SYSTEM DIAGNOSIS

Once it has been determined that the other refrigerator systems are working properly, a probable sealed system problem can be confirmed through the use of a wattmeter and checks of low and high side pressures.

**Access valves are not to be left on a sealed system after service.** To measure low side pressure, a temporary access valve can be installed on the compressor process tube. To remove the valve after repair, a pinch off tool may be used to seal the tube while the valve is removed and the hole brazed shut. To check high side pressure, a temporary access valve should be installed on the discharge line. When the high side valve is in-

stalled, the technician is committed to replacement of the drier and a sealed system repair. Once again, this valve must be removed upon completion of repair. Make sure the gauges which are used to check the operating pressures are accurately calibrated. When not connected to a system, the gauge pointer should indicate zero pressure. If necessary, turn the calibrating screw until the pointer is at "0."

**NOTE: The following situations are typical, however other factors such as gauge placement, line voltage and ambient temperature must also be considered.**

The following symptoms use high and low side pressures plus wattage measurements to diagnose sealed system problems. Normal low side pressure will range from below zero to about six pounds of pressure, depending on several factors such as refrigerator model, ambient temperature, load and customer usage. Normal high side pressure is also dependent on external factors but will range in the 100 to 125 p.s.i.g. range. Wattage and pressure figures will vary based on the model and age of the refrigerator. Refer to the performance data table(s) at the end of the manual.

**Symptoms:**

- High Side** - Near normal pressure
- Low Side** - Slightly lower pressure
- Wattage** - Lower than normal

**Diagnosis** - Low side restriction. The evaporator, suction line or other low side tubing is probably restricted (kinked or blocked with a foreign article such as moisture or contaminant). This condition is usually accompanied with a frost build up on the low side of the restriction. High side pressure will take longer to balance with the low side pressure when the compressor is stopped.

**Symptoms:**

- High Side** - Lower than normal
- Low Side** - Slightly lower than normal
- Wattage** - Lower than normal

**Diagnosis** - High side leak. Both high and low side pressures will drop as more refrigerant escapes.

**Symptoms:**

- High Side** - Higher than normal
- Low Side** - Slightly lower than normal
- Wattage** - Higher than normal

**Diagnosis** - Low side leak. High side pressure will continually increase since air is being drawn into the system through the leak and becomes trapped in the high side tubing. The low side may show a slight increase in pressure because of the air being drawn in through the leak.

**Symptoms:**

- High Side** - Lower than normal
- Low Side** - In a vacuum
- Wattage** - Lower than normal

**Diagnosis** - Capillary tube restriction. High side pressure will take much longer (or not at all) to equalize with the low side pressure when the compressor is stopped.

**Symptoms:**

- High Side** - Higher than normal
- Low Side** - Higher than normal
- Wattage** - Higher than normal

**Diagnosis** - Overcharged system. The extent of the pressure increase depends on the amount of overcharge and ambient temperature. An overcharge may also cause the suction line to be frosted during the run cycle, resulting in water on the floor after cycling off.

### Symptoms:

- High Side** - Lower than normal
- Low Side** - Higher than normal
- Wattage** - Lower than normal

**Diagnosis** - Inefficient compressor. Cooling surfaces may be covered with a thin film of frost, but the temperature will not descend to cut off temperature of the control, even with continuous running. Also, the condenser will be noticeably cooler to the touch than normal. Once the confirmation that an inefficient compressor is made, the compressor should be replaced.

### Symptoms:

- High Side** - Normal
- Low Side** - Normal to slightly higher than normal - suction line possibly sweats
- Wattage** - Normal

**Diagnosis** - Separated capillary tube. The capillary tube must be connected to the suction line to provide proper heat transfer. Without this transfer, liquid refrigerant in the capillary tube enters the evaporator at a slightly higher temperature thereby lessening the ability to remove heat from inside the refrigerator. The customer complaint would be long run time, slow ice production, warmer fresh food temperature, in general, poor overall performance. Another symptom of a separated capillary tube could be moisture on the floor behind the refrigerator. The heat from the capillary tube is utilized by the suction line to ensure that vapor rather than liquid refrigerant is returned to the compressor. If liquid is present in the suction line, frost or moisture forms on the outside of the line and eventually drips to the floor.

---

## LEAK TESTING

Once it has been determined through proper diagnosis that a leak is present in the sealed system, attempt to find the leak before opening the system if possible. To check the high side for leaks, be sure that the compressor is running. During run time the high side pressure is greater. To increase the pressure slightly, stop the condenser fan blade or block the air flow through the condenser. To check the low side for leaks, stop the compressor. During off times, the low side pressure will increase to equalize with the high side. By warming the evaporator, this pressure will increase. If too much refrigerant has leaked out to create enough pressure to locate the leak, add 4 ounces of the proper refrigerant to the system and proceed with the test procedure.

The presence of oil around a tubing joint usually indicates a leak. Care must still be taken to pinpoint the exact location. Remember that a leak detector compatible with R134A refrigerant must be used. A sealed system component, such as the evaporator or yoder loop, should not be condemned unless a non-repairable leak is confirmed. This should be determined by either locating the actual leak or by isolating the component from the rest of the system and determining if it holds pressurization or a vacuum - whichever method is chosen.

---

## COMPONENTS

---

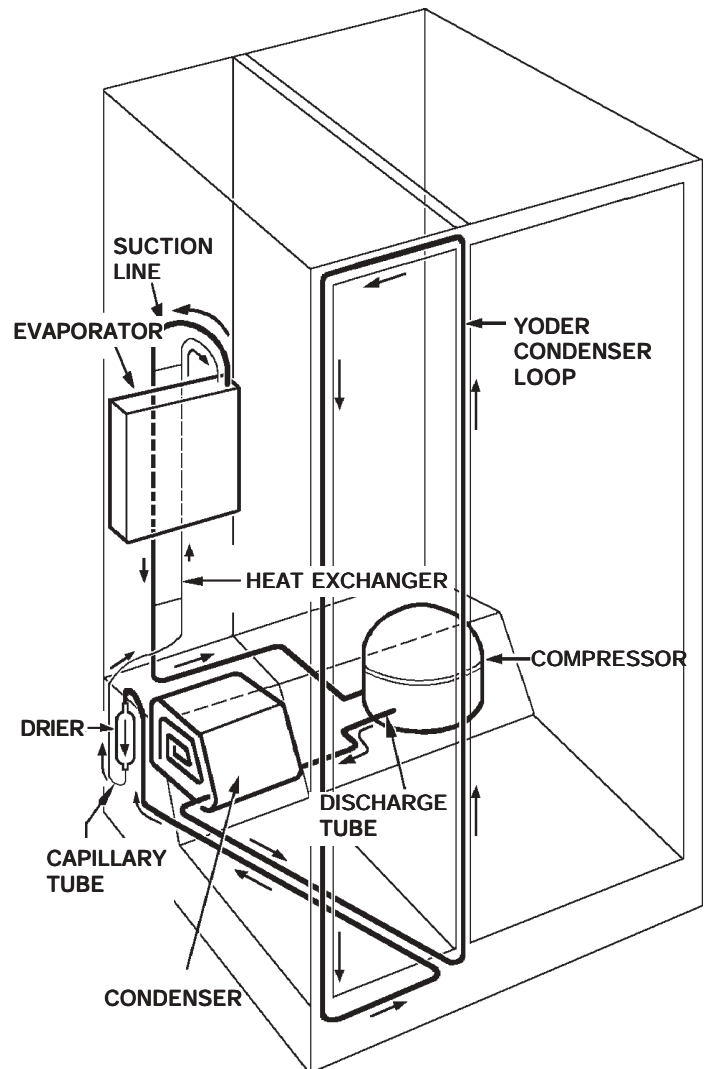
### Drier

Whenever the sealed system is entered, the drier must be replaced. For R134A refrigerant systems, use a **13900-1** drier. This drier has the proper desiccant suitable for the refrigerant. The drier is stamped with an arrow which indicates the direction of refrigerant flow. The drier inlet has two lines - one connects to the yoder loop and the other will be used as a process tube through which the system sweep and final charge will be made. The drier outlet will be connected to the capillary tube. Care should be taken to ensure that the capillary is not inserted too far into the drier to make contact with its internal screen, yet in far enough to prevent restricting the small diameter capillary tube opening with the solder alloy.

---

### Condenser

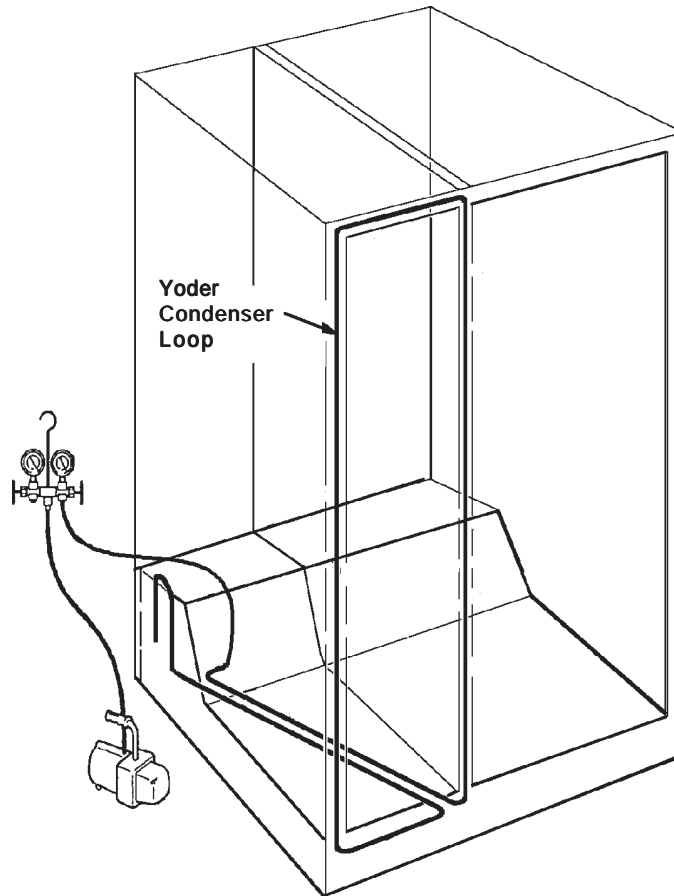
The condenser is a long folded tube which receives the hot, high pressure vapor from the compressor. While the most common problem is keeping the condenser clean from lint and dirt buildup which prevents proper airflow and the required transfer of the heat to the surroundings, it is possible that due to an unreparable leak or a non-removable restriction, the condenser could require replacement. As with any R134A sealed system repair, the key to success is the limiting of the time of atmospheric exposure. Do not remove the plugs on the condenser inlet and outlet tubes until the new condenser is mounted in place and made ready for brazing. The inlet side will connect to the compressor discharge line and the outlet to the yoder loop.



---

## Yoder Loop

The yoder loop is a non-replaceable component of the sealed system routed within the walls of the cabinet. To diagnose the yoder loop, the tubing must be isolated from the sealed system. This procedure is shown below. If the loop fails to hold the vacuum, a heater repair assembly is to be installed and the loop bypassed by connecting the condenser outlet tube directly to the inlet of the drier.



### YODER LOOP DIAGNOSTIC TEST

1. Isolate yoder loop from remainder of sealed system.
2. Cap or seal one end of the loop (brazed or use process adaptor and cap).
3. Attach process adaptor to open end of loop.
4. Attach compound gauge and vacuum pump to the loop.
5. Pull a vacuum and close valve to test for leak in the loop.
6. If unit holds a vacuum, no leak is indicated. Reconnect the yoder loop to the system, replace the drier and recharge the system to specifications.

***A VACUUM WILL BE MAINTAINED IF THE SYSTEM IS GOOD.***

---

## Evaporator

The evaporator is a long aluminum tube folded or coiled within the freezer compartment. If a leak is present in the evaporator, it is not repairable and must be replaced. On R134A systems, whenever the evaporator is replaced, the heat exchanger must also be replaced as well as the compressor. The replacement evaporator will come with the heat exchanger attached. Leave the caps in place on the opposite end of the heat exchanger. Again, whenever the evaporator and heat exchanger are replaced on R134A units, **the compressor must also be replaced** and the sealed system flushed. Do not connect the suction line to the replacement compressor until the system has been flushed (*see System Flush Procedure*). After mounting the evaporator in place, connect the capillary tube of the heat exchanger to the replacement drier.

---

## Heat Exchanger

The heat exchanger is composed of the capillary tube and suction line soldered together. The heat exchanger should be replaced if there is a non-repairable leak, plugged capillary, more than 3 inches have been removed from the capillary or the capillary tube separates from the suction line. If the heat exchanger is replaced, the evaporator must also be replaced as well as the compressor.

---

## Compressor

The compressor is the "heart" of the refrigerator, consisting of an electrical motor and a "pump" sealed inside a steel case. The compressor used on R134A refrigerant systems is virtually the same in external appearance as the compressor used with R12 refrigerants. However, due to changes in lubricants and other internal differences, the compressors are **not** to be interchanged, otherwise system failure will result. Diagnostic procedures will be the same as with the R12 refrigerant systems, except that the high side pressure will be slightly higher and the low side pressure will be slightly lower. If a new compressor is to be installed, pull one of the plugs to ensure that it is properly pressurized. If no pressure is observed, do not use the compressor. If unit is pressurized, reinstall the plug and keep the compressor sealed until it is installed and ready for solder connections. Whenever the compressor is replaced on a R134A refrigerator, the sealed system must be flushed (*see System Flush Procedure*).

---

## SYSTEM FLUSH

Before accessing the sealed system, it is necessary to determine that the problem is actually a sealed system problem by utilizing a wattmeter, thermometer, visual and touch indicators. Once it has been determined that the problem is in the sealed system, and diagnosis indicates a low side leak, plugged capillary tube, or a defective compressor, in addition to the normal repair, the system must be flushed and the compressor **must** be replaced.

---

## SEALED SYSTEM REPAIR SUMMARY

- A. Recover the refrigerant in the system, if any.
- B. Repair the low side leak or replace the evaporator and heat exchanger, whichever applies. If the complete low side is replaced, do not braze the suction line to the replacement compressor until the completion of Step 3 of System Flush Procedure.
- C. Proceed with the following flush procedure which includes the compressor replacement.
- D. After flushing procedure is completed, continue with the normal sweep and final charging procedure.

Next, score and break the tube at the yoder loop to the input side of the drier. Attach a process tube adapter to the condenser side of this break. Connect a quick coupler hand valve to this process adapter. Connect the hose from the recovery equipment to this valve (**figure 1**). Use the heater on the charging cylinder to ensure the cylinder pressure to be approximately 30 pounds above room ambient temperature. For example, if room temperature is 70 degrees, cylinder pressure should be 100 p.s.i.g. Start the recovery system and open the valve at the process adapter attached to yoder loop. Open the valve from the charging cylinder and allow 4 ounces of R134A to flow through the condenser and into the recovery system. This process should take about two minutes. Keep the process adapters and hoses attached at this time.

---

## SYSTEM FLUSH PROCEDURE

### 1. Isolate and flush the Condenser

Score and break the discharge line at a convenient location to which the replacement compressor tubing can be connected later. Attach a process tube adapter to the condenser side of this break. Connect a quick coupler hand valve to the process adapter. Connect the hose from the charging cylinder to this valve (**refer to figure 1**). This connection will remain in place throughout the flush procedure in Step 3.

**NOTE:** *Due to the extra flushing and sweep charge procedures, about 12 ounces of R134A refrigerant should be added to the original charge specified on the model/serial plate and loaded into the charging cylinder initially.*



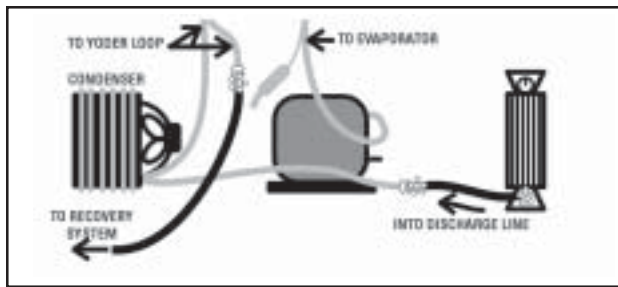


FIGURE 1

Flush into discharge line, through hi-side and out the yoder loop at drier inlet.

## 2. Replace the Drier

Score and break either one of the two inlet lines on the new drier (the other line will remain sealed until the sweep charge, at which time it will be the process tube). Prepare the drier outlet side for connection to the capillary tube. The capillary tube should be inserted about 3/4 inch into the drier to prevent solder alloy from plugging the capillary tube or the capillary tube extending too far into the drier and contacting the screen. To facilitate the installation, place a slight bend in the capillary tube about 3/4 inch from the end and insert into the drier. Remove the process tube adapter from the yoder outlet and prepare the tube for connection to the drier inlet. The drier inlet joint will be the only copper-to-steel connection which will require the silver solder and flux. To help prevent flux from entering the system, first insert the line from the yoder loop into the drier inlet, then apply the flux. Braze both the inlet and the outlet joints of the replacement drier.

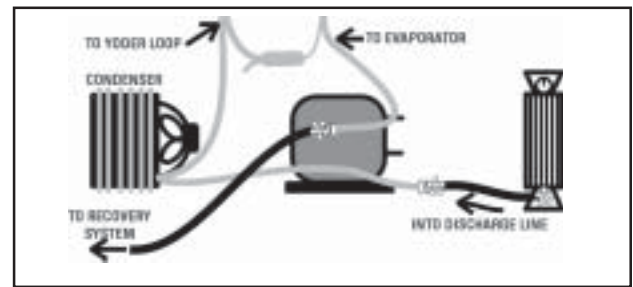


FIGURE 2

Flush the entire system (less compressor) out the suction line.

## 3. Isolate and flush the remainder of the system

Score and break the suction line close enough to the old compressor to be able to reconnect it to the replacement compressor later. Attach a process tube adapter to the evaporator side of the suction line. Connect the hand valve and hose from the recovery equipment to this adapter (**figure 2**). Be certain that the pressure in the charging cylinder is about 30 p.s.i.g. above ambient temperature. Start the recovery unit and open the hand valve to the suction line. Release four (4) ounces of R134a from the charging cylinder into the system. It will take about 15 minutes for the refrigerant to pass through the condenser, yoder loop, drier, capillary tube, evaporator, suction line and into the recovery system. This 15 minutes time can be utilized to remove the old compressor (**figure 3**) and prepare the new compressor by mounting into place and wiring electrically. Remember to leave the plugs in place until brazing (**refer to figure 4**).

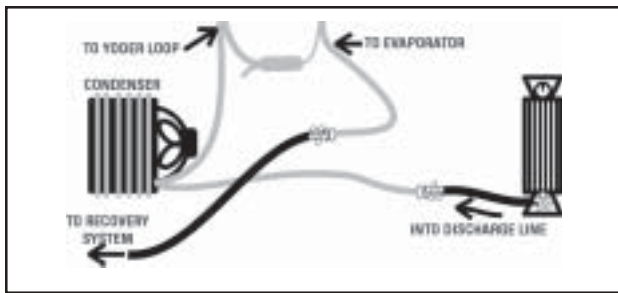


FIGURE 3

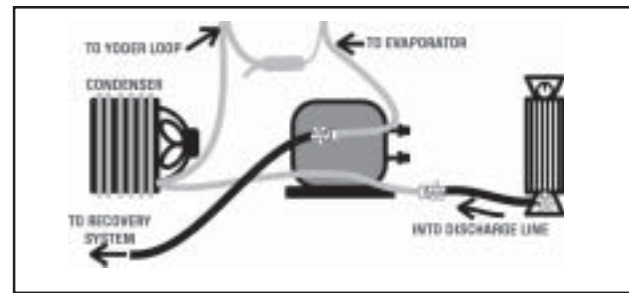


FIGURE 4

During final flush, remove old compressor, and install replacement compressor leave plugs in place until brazing.

#### 4. Complete compressor replacement

Close valves to the recovery system. Remove process tube adapters from both the suction and discharge lines.

Connect and braze suction and discharge lines to the replacement compressor (*figure 5*). You are now ready to add the temporary piercing valve to the drier process line and proceed with the sweep and final charging of the system.

#### CAUTION

*In order to prevent sealed system contamination, the time of atmospheric exposure must be limited to 15 minutes. do not pull the plugs from the new compressor until you are ready to make the connections.*

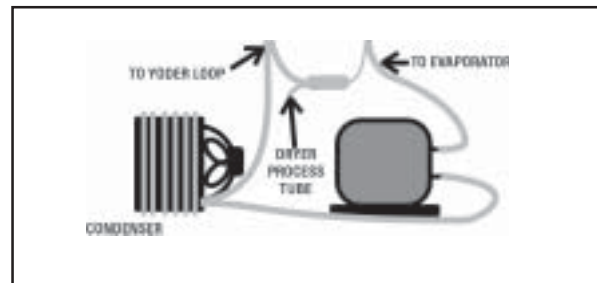


FIGURE 5

*Flush complete - ready for sweep charge.*

## SWEEP AND FINAL CHARGE

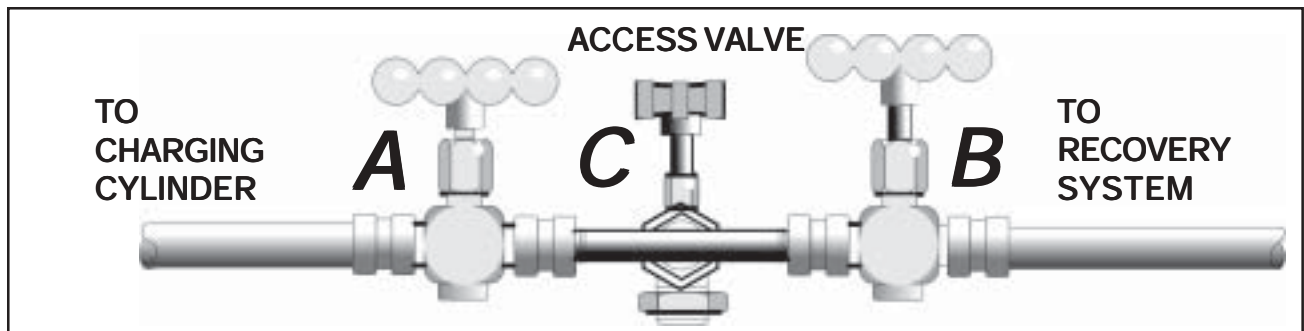
The sweep charge is a method of purging the sealed system of moisture, air and potential contaminants. Also during this procedure, the system may be checked for leaks before the final charge. If this procedure is followed as outlined, it will allow for the capture of 90-95 percent of the available refrigerant, thereby ensuring that the system will operate as designed.

The sweep procedure for R134a refrigerant systems is made after the system has been repaired and/or flushed. Three (3) ounces of refrigerant R134a is added to the system, circulated by the compressor for 5 minutes and recovered. Since a new drier - part

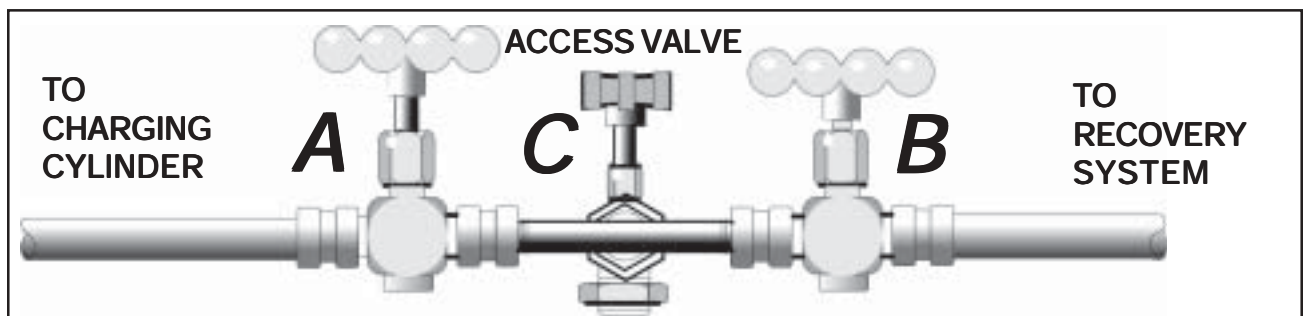
#13900-1 has already been installed, a high side process tube is available. Install a temporary access valve to this process tube close enough to the end of the tube so that the tube can be pinched closed behind the valve and the opening sealed shut after the valve is removed. Remember, no access valve is to be left on the sealed system. Connect a 1/4 inch flare tee to the access valve. Connect a quick coupler hand valve to each side of the tee. To one hand valve, connect the hose from the charging cylinder. To the other valve, connect the hose to the recovery system.

The following steps take you through the sweep and final charge.

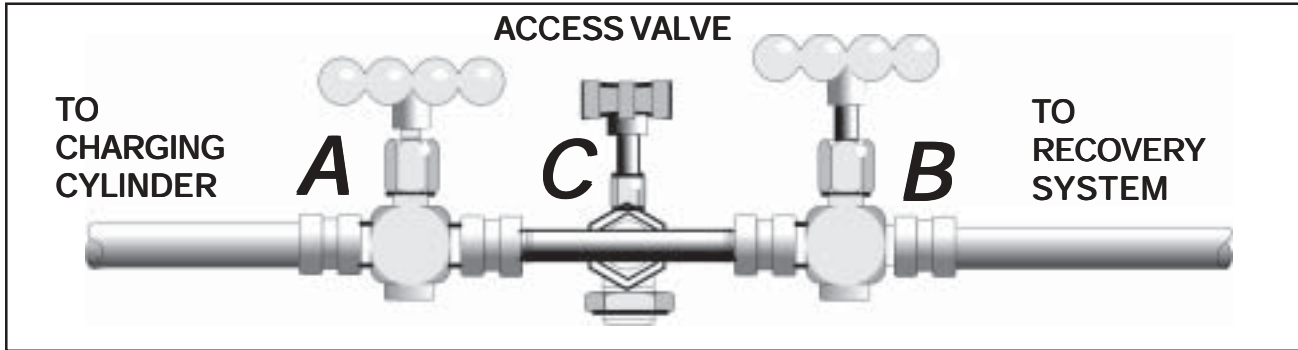
- Step 1.** Set up of valves: temporary access valve (C) piercing drier process tube, connected to flare tee, hand valve (A) to charging cylinder, hand valve (B) to recovery system.



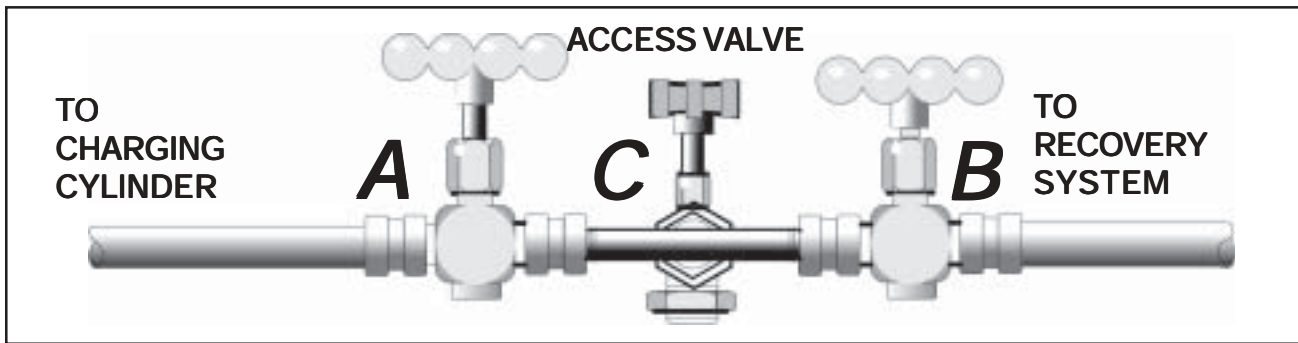
- Step 2.** With liquid refrigerant present to valve A, valve B closed and valve C open (C will remain open throughout sweep procedure), open valve A to allow three (3) ounces of refrigerant into the system. Close valve A. Check low side for leaks. After system has equalized (about 3 to 5 minutes), start system compressor, check for high side leaks and allow refrigerant to circulate in the system about 5 minutes.



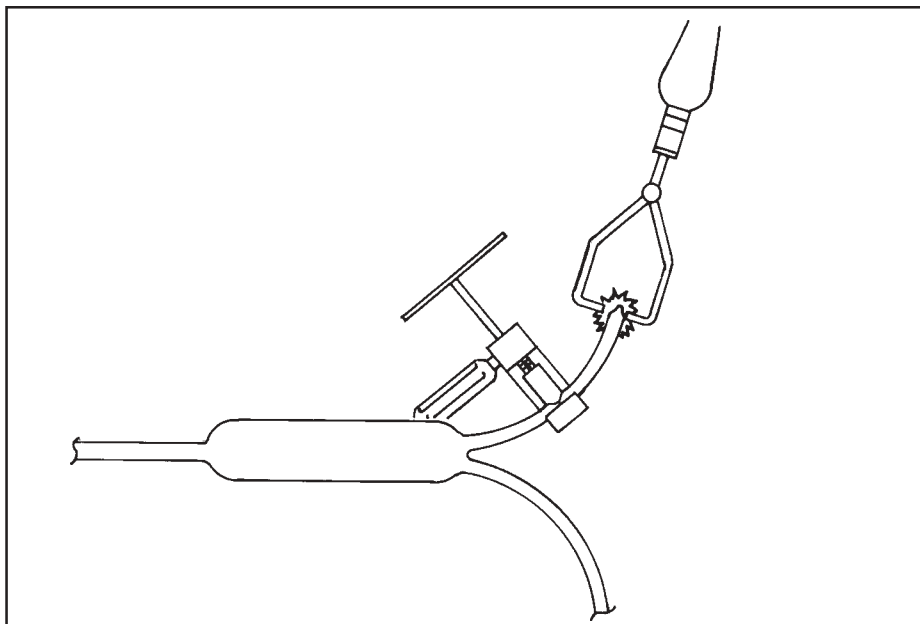
- Step 3.** Leave valve A closed and valve C open. System compressor still running, open valve B to allow refrigerant to flow into the recovery system. After vacuum has been held, turn off system compressor.



- Step 4.** Close valve B. Liquid refrigerant still present to valve A and charging cylinder pressure is 30 p.s.i.g. above room ambient. Open valve A to slowly allow the proper refrigerant charge into the system. Close valve A. If needed, valve C can be closed and valves A and B opened to recover refrigerant in the hoses and charging cylinder.



- Step 5.** Use pinch-off tool to seal the process tube between the drier and the access valve. Remove the access valve and braze the opening. After the required five minute equalization time, start the system compressor.



## SECTION 2. COMPONENTS

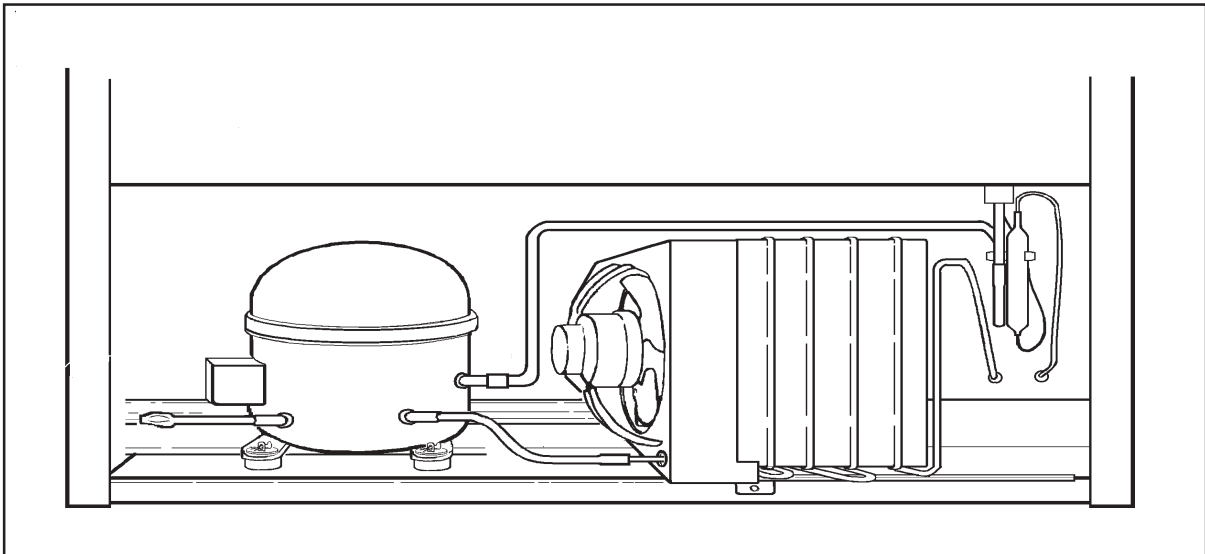
### COMPRESSOR REPLACEMENT

The following general information explains how to successfully replace compressors for any model covered in this manual.

All replacement compressors are charged with the correct amount of oil and a holding charge of dry nitrogen.

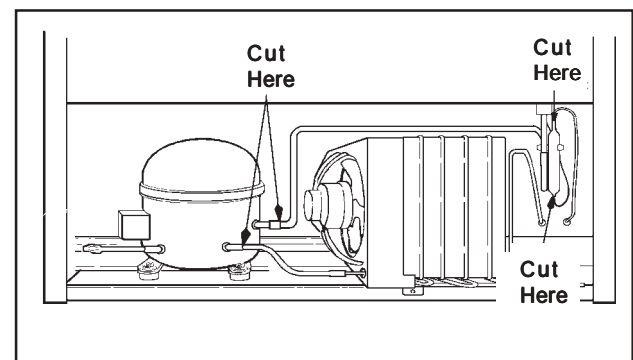
The holding charge is your assurance that the compressor is dry and ready to install. If you receive a replacement compressor that shows no evidence of holding charge when you center the lines or remove the plugs, return it.

**NOTE: A new drier must be installed each time any component of the system is opened or replaced.**

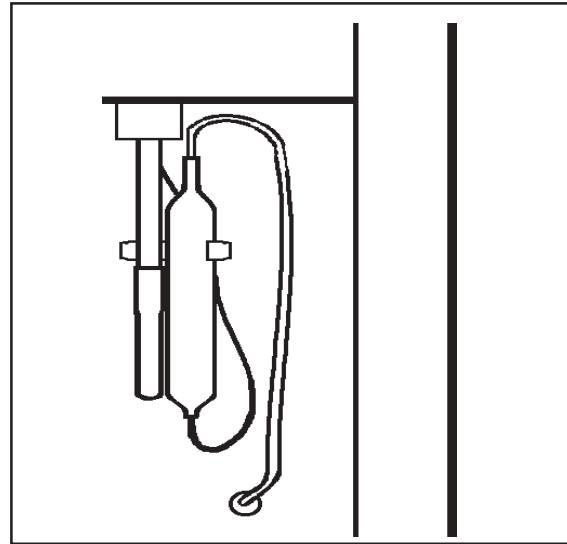


### REPLACING THE COMPRESSOR

1. Disconnect the unit from the power source.
2. Locate defective compressor and evacuate the sealed system. (*See Sweep Charging and Refrigerant Recovery.*)
3. Clean and cut the refrigerant lines as close as possible to the compressor stubs, leaving enough length to install the replacement compressor.



4. Disconnect lead wires from compressor terminals.
5. Remove the retaining clips from the compressor mounts. Remove defective compressor from cabinet and install rubber grommets on replacement compressor.
6. Clean the compressor stubs with an abrasive cloth such as grit cloth No. 23. Do not open the compressor stubs.
7. Install the replacement compressor using the mounting clips previously removed.
8. Connect the compressor leads.
9. Solder a short piece of tubing to the process tube (approximately 6 inches long). Connect the refrigerant tubing to the compressor stubs using silfos on copper to copper joints and silver solder and flux on steel to copper joints.
- e. Cut the inlet tube of the replacement drier and use pliers to snap off the scored end.
- f. Install the new drier using silver solder with the proper flux at the Yoder tube to drier joint. Use silfos at the drier to capillary tube joint.



***Locate and remove old drier. Install new drier. The new driver is installed in the following manner:***

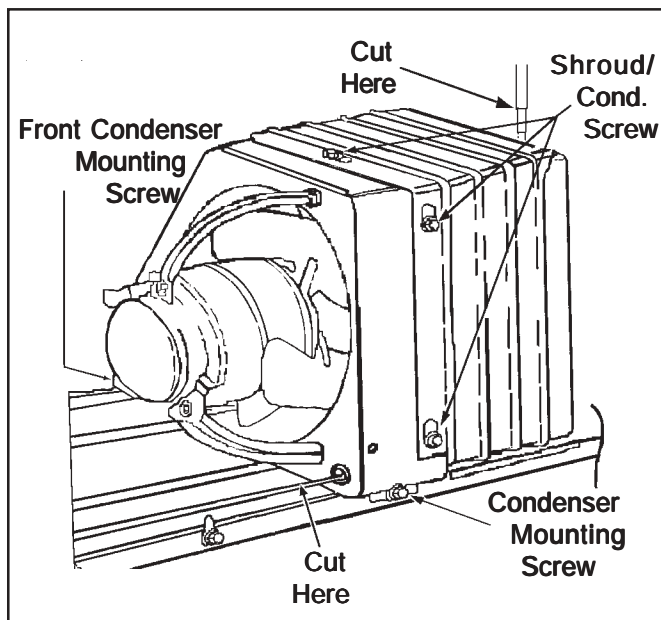
- a. Carefully bend the old drier and tubing away from electrical parts.
- b. Use steel wool or fine emery paper to clean the capillary tube 3 inches from the original joint. Also, clean the input tubing to the drier of 3 inches from the original joint.
- c. Use steel wool or fine emery paper to clean both ends of the new drier. Use a knife or file to score the capillary tube 1 inch from the original joint. Use your finger to break the connection.
- d. Make an offset 1/2" from the end of the cap tube to prevent it from penetrating too far into the drier.
10. Evacuate, recharge and leak test the system.
11. Test run the unit to check operation
12. Replace the machine compartment cover.

---

## CONDENSER REPLACEMENT

The following general information explains how to successfully replace the condenser for any model covered in this manual.

1. **Disconnect the unit from the power source.**
2. Remove all loose items from the refrigerator interior.
3. Working at the back of the cabinet, remove the cover from the machine compartment. It is necessary to reinstall this cover after the job is completed.
4. Using a sponge, remove any drain water from the defrost pan.
5. With assistance, tilt the cabinet back and remove the front condenser mounting screw.



6. With assistance, return cabinet to upright position. Remove the back condenser mounting screw.
7. Disconnect the fan motor wire lead connector.
8. Use steel wool or fine emery paper to clean both the inlet and outlet end of the new condenser.
9. Evacuate the sealed system. (**See Sweep Charging and Refrigerant Recovery.**)
10. Clean and then cut the inlet and the outlet tube of the old condenser.
11. Remove the condenser assembly from the compressor mounting pan and place it on a workable surface.
12. Remove the shroud/condenser screws which secure the fan motor shroud to the condenser.
13. Transfer all clips to the replacement condenser. Make sure the condenser tubing goes through the rubber sleeve on the fan motor shroud. Install the mounting screws.
14. Set the replacement condenser on the compressor mounting pan and install both front and rear condenser mounting screws.
15. Clean then connect the discharge line to the inner tubing. Clean again and connect the Yoder loop to the outer tubing of the condenser.
16. Solder all joints. Silver solder and proper flux should be used on copper to steel or steel to steel joints. Excess flux should be wiped off all tubing.
17. Remove and replace the old drier. **Do not allow more than 1/2" of the cap tube to penetrate the drier.**
18. Install the new drier using silver solder with the proper flux.
19. Visually check the joints for leaks.
20. Connect the fan motor wire connector.
21. Evacuate and recharge the system.

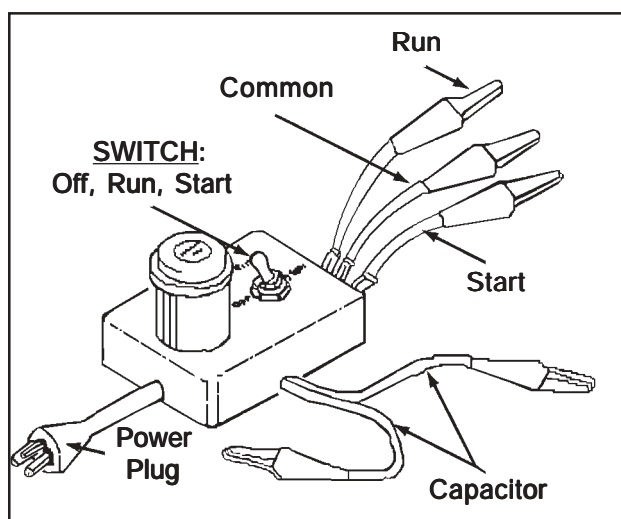
22. Test for leaks.
23. Install the machine compartment cover.
24. Test run the refrigerator to make sure it is operating properly.

---

## ELECTRICAL SYSTEM

- The wiring diagram is located in the control housing area.
- All electrical components are grounded to the cabinet.
- The green/yellow center conductor in the power cord is attached to the cabinet to provide a ground circuit when the cord is plugged into a properly grounded outlet.
- After replacing an electrical component, ***always reconnect the ground wire.***
- The electrical outlet should be checked to make sure it is properly wired. Check the outlet with a circuit tester.

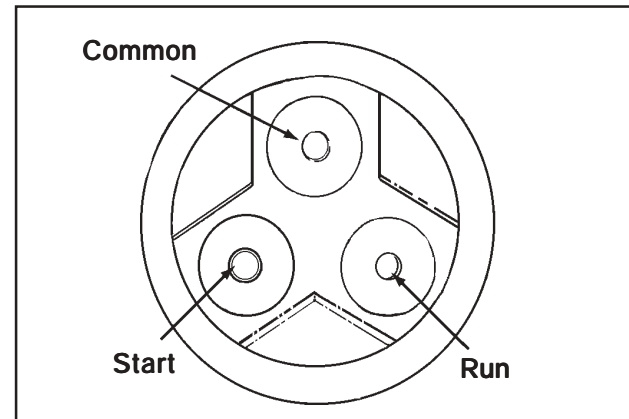
## COMPRESSOR TESTER




---

## Testing the Compressor Direct

Testing the compressor with no other wiring in the circuit is called the direct test method. Remove all electrical components from the compressor in order to perform this test. It is recommended that a compressor tester as illustrated be used to make this test.



The tester leads are marked RUN, START, and COMMON. Connect the common lead to the common terminal of the compressor, the start lead to the start terminal and the run lead to the run terminal. The compressor terminal arrangements are illustrated above. The other two leads are for a start capacitor (if used). When not in use, attach the two leads together and place the toggle switch in the OFF position. There should not be any bare leads touching the cabinet. Plug in the tester and flip the switch to the start position. When the compressor starts, release the switch to the run position. If the compressor is operative, it will continue operating on the run windings. If the compressor fails to run, the compressor is defective and must be replaced.



---

## Overload Protector

The overload protector prevents the compressor from burning out its electrical windings in the event the compressor becomes overheated or draws too much current. The overload trips, opening the circuit to the compressor. If it does this repeatedly, the compressor is said to be cycling on the overload.

Cycling on the overload may be caused by:

1. Insufficient air circulation around the compressor and condenser.
2. Pull-down on the compressor, caused by a large quantity of warm food placed in the refrigerator.
3. Compressor stalling due to lack of pressure unloading.
4. Low line voltage.
5. Defective start relay.
6. Defective winding in the compressor or shorted windings.

---

## Testing the Overload Protector

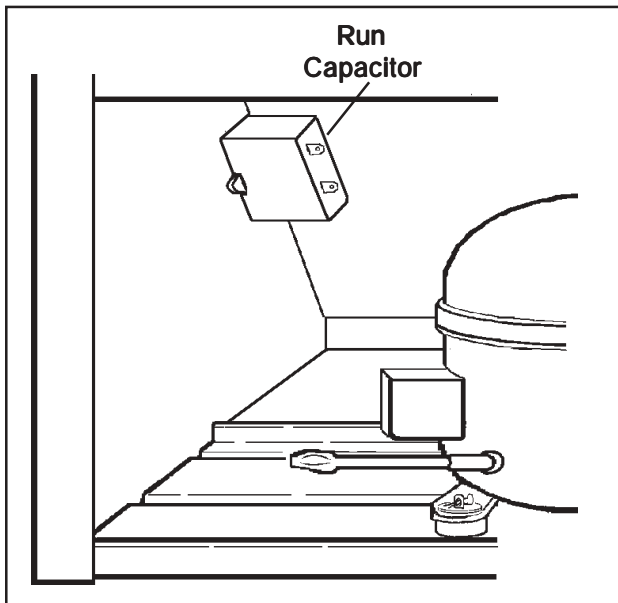
**Disconnect the unit from the power source.**

To test the overload protector, remove the compressor terminal cover. Examine the bottom of the overload for signs of arcing. If signs of arcing are present, either check for continuity or connect a jumper wire across the terminals. If using a jumper wire, plug in the line cord and set the temperature control to a cold setting. If the com-

pressor starts, the over load is defective and must be replaced. If the compressor fails to start, check for a defective start relay or compressor.

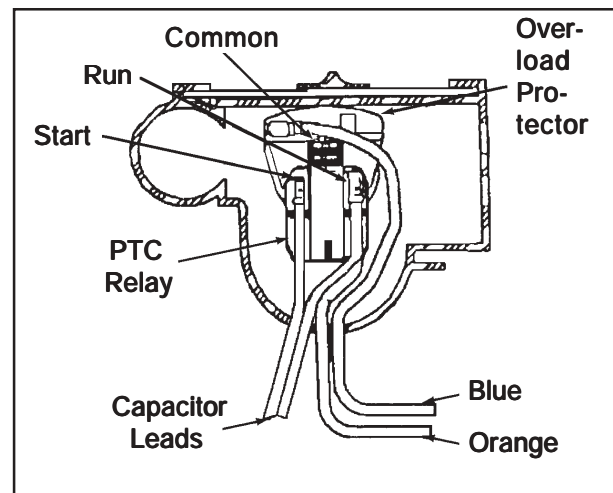
1. Remove the PTC and overload from the compressor.
2. Connect one ohmmeter probe to the compressor shell. Make sure the probe makes good contact with bare metal. One at a time, connect the other ohmmeter probe to each of the three compressor terminals.
3. If the meter shows no continuity to ground, install PTC and overload protector to the compressor's terminals. If the meter indicates the compressor terminals are grounded, replace the compressor.
4. Attach a jumper wire across the overload terminals.
5. Make sure the jumper wire does not short to ground.
6. Reconnect the unit to power source. If the compressor starts, the overload protector is defective and must be replaced.

## PTC STARTING DEVICE AND RUN CAPACITOR



The PTC solid state starting device is a push-on component mounted to the start and run terminals of the compressor. This device is connected in parallel with the run capacitor and is in series with the compressor start windings. This will produce a short circuit across the run capacitor during the compressor starting sequence and full current is applied to the start windings as well as the main winding. Since the PTC device is temperature sensitive, a variance in its temperature causes a change in its resistance. When current is first applied to the compressor, the PTC device's low resistance shorts out the run capacitor; thus producing adequate motor starting torque.

As the compressor motor approaches running speed, the current through the PTC device causes the temperature and resistance of the PTC device to increase to where it appears to be an open circuit. The compressor continues to operate on the run winding in parallel with the series combination of the run capacitor and start winding.



### Checking the PTC Device

1. Disconnect the unit from the power source.
2. Discharge the capacitor. **NOTE:** See *"Testing The Capacitor"* on page 2-7.
3. Remove the wires from the PTC device terminals.
4. Allow the PTC to cool to room temperature.
5. Remove the PTC device.
6. Using an ohmmeter, check the resistance between the PTC device terminals. The ohmmeter should register between 3 and 20 ohms.

An extreme variance between 3 and 20 ohms indicates a defective PTC device which must be replaced.

**NOTE:** *We discourage using a voltmeter to check performance of the PTC device because test results are influenced by several factors, such as its dependence on line voltage to the compressor, the response characteristic of the voltmeter and the PTC device temperature at the time the compressor is energized.*

---

## PTC Device Replacement

1. Disconnect the unit from the power source.
2. Disconnect the PTC from the compressor terminals.
3. Remove the lead wires from the PTC terminals.
4. Replace the PTC and reconnect the wires to the proper terminals.

---

## RUN CAPACITOR

The run capacitor is mounted adjacent to the compressor. It is electrically connected to the compressor circuit to provide the required phase difference between the start and run windings for running the compressor.

### Capacitor Failures May Be Caused By:

- (1) **A Short Circuit** - Will cause the start windings to be energized continuously in the start mode. The compressor could start, but the overload protector will trip, and eventually trip continuously.
- (2) **An Open Circuit** - Should, under normal conditions, allow the compressor to start. Under a heavy running load, however, the compressor will trip on the overload.
- (3) **A Capacitor Low in Capacitance** - A capacitor may lose capacitance by a loss of its electrolytic properties. The compressor would run under a light load, but would trip on the overload in high ambient conditions.

---

## Testing the Capacitor



We recommend using a capacitor analyzer when testing. A solid state unit that measures capacitance and power of any capacitor, and has an automatic means of discharging the capacitor through resistance is preferred.

---

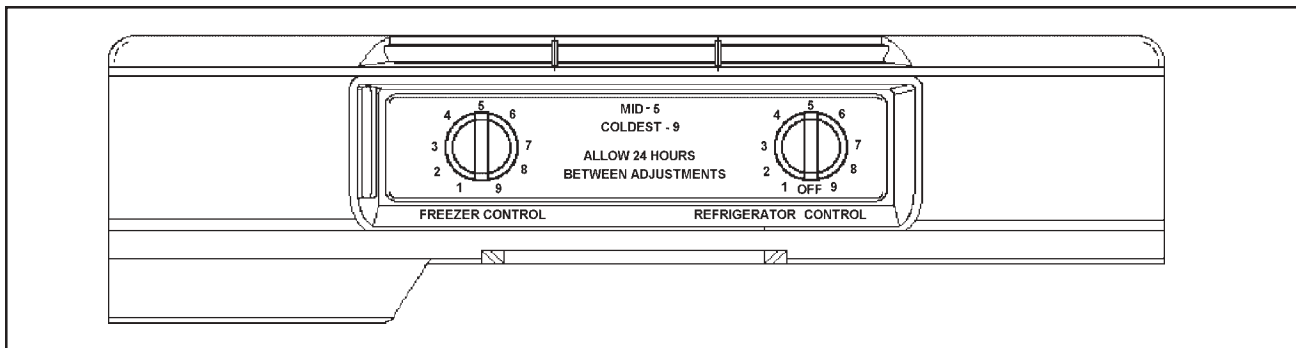
## Alternate Method Using Ohmmeter

1. Disconnect the unit from the power source.
2. Disconnect the capacitor lead wires.
3. Short across the terminals using a resistor with a minimum resistance of 1,000 ohms. This ensures that no charge remains to damage the ohmmeter.
4. Set the ohmmeter selector switch to the 10,000 ohm scale (R x 10K).
5. Connect the ohmmeter leads to the capacitor terminals and observe the meter point lower end.

- a. If the pointer deflects to the lower end and remains there, the capacitor is shorted and must be replaced.
- b. If there is no deflection of the pointer, the capacitor is open and must be replaced.
- c. If the pointer deflects toward the high end of the scale and then slowly returns to the low end, the capacitor is good.

---

## TEMPERATURE CONTROL



The refrigerator has two temperature controls:

1. **Fresh Food Compartment** - The fresh food temperature control senses the temperature of its compartment and governs the compressor operation accordingly.
2. **Freezer Compartment** - The freezer compartment control adjusts the damper door which regulates the amount of air allowed to enter the fresh food compartment.

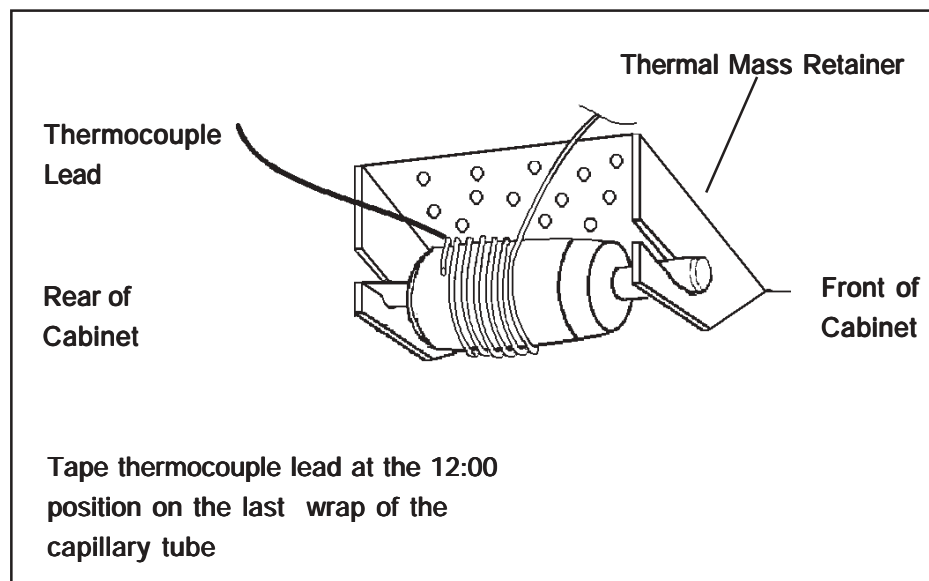
Turning the freezer temperature control to the coldest settings reduces the flow of chilled air to the fresh food compartment. The fresh food temperature control uses a sensing element that must be cooled sufficiently before stopping the compressor. The reduced air flow causes longer compressor run time and colder freezer temperatures, while maintaining the required fresh food compartment temperatures.

Conversely, by turning the freezer temperature control to the warmest setting, you increase the flow of air into the fresh food compartment and decrease the flow to the freezer. This cools the fresh food temperature control sensing element faster, resulting in shorter compressor run times and warmer freezer compartment temperatures. The fresh food compartment will stay near the recommended fresh food temperature, unless the freezer temperature is turned to an extreme temperature. The differential between cut-in/cut-out temperature will vary approximately 10°F.

---

### Checking Operating Temperatures

The temperature control feeler tube is located in the fresh food compartment. The feeler tube is wrapped around a thermal mass located in the back left corner of the control housing. A small amount of air passes over the thermal mass which gives a consistent run time during ambient changes.



To check the cut-in/cut-out temperatures, attach the bulb of thermistor temperature tester to the control feeler tube and set controls at midposition.

Allow the compressor to complete two or three complete cycles. If the temperature readings are not within two degrees of the requirements the control is defective and must be replaced. Do not attempt to recalibrate.

A defective control may cause the compressor to run continuously or not at all. If either of these conditions exist, check as follows:

- ***Compressor Won't Run***

1. Remove the control enough to expose its terminals.
2. Short across the control terminals. If the compressor starts, install a new control. If the compressor fails to start, check the defrost timer, compressor receptacle, and unit wiring for defects.

- ***Compressor Runs Continuously***

1. Turn the control knob to OFF. If the compressor continues to run, proceed to step 2. If the compressor stops, check that the feeder tube is positioned properly and that the air flow through the control housing is not restricted. If the feeler tube is positioned properly and there is no air restriction, check the control operating temperatures.
2. Remove the control far enough to remove one of the wires from its terminal. If the compressor continues to run, there is a short in the unit wiring.

---

## Temperature Control Replacement

1. **Disconnect the unit from the power source.**
2. Open the fresh food door and remove any loose items on the top shelf.
3. Remove the light shield cover by pulling down on the back corners of the cover, and sliding the cover forward.

4. Remove the control housing mounting screw at the back of the control housing. Slide the control housing to the right and lower from control housing supports.
5. Disconnect the temperature control housing electrical quick disconnect.
6. Remove the temperature control housing from the refrigerator and place on a flat work surface.
7. Remove the control knob by pulling it away from the temperature control.
8. Remove the electrical and ground leads from the temperature control terminals.
9. Remove the control by pushing on the tab with right thumb to release the lock. With the left hand, rotate the control out of its locking tabs.
10. To remove the thermal mass, insert a flat bladed screwdriver between the thermal mass and the control housing area. Turn the screwdriver to release the mass from its locking tab.
11. Install the replacement control in the reverse order of removal.

---

## AUTO DAMPER CONTROL MODELS

The Auto Damper model refrigerator has two controls and both have capillary sensing. The Auto Damper controls the fresh food temperature and the Freezer Temperature Control guides the freezer temperature.

The fresh food compartment temperature is maintained by a damper assembly located at the back of the temperature control housing. Changes in air temperature cause the damper door to open and close. A control rod and gear connect the fresh food control knob to the damper control.

Turning the fresh food control knob to the **COLDEST** position increases the flow of freezer air into the fresh food section. The freezer compartment temperature control warms at a faster rate and cools at a slower rate, increasing the compressor run time necessary to maintain a satisfied freezer temperature control.

Turning the fresh food control knob to a **WARMER** setting decreases the flow of chilled air into the fresh food section. The freezer compartment temperature control warms at a slower rate and cools at a faster rate, decreasing the compressor run time necessary to maintain a satisfied freezer temperature control.

---

## Checking the Auto Damper

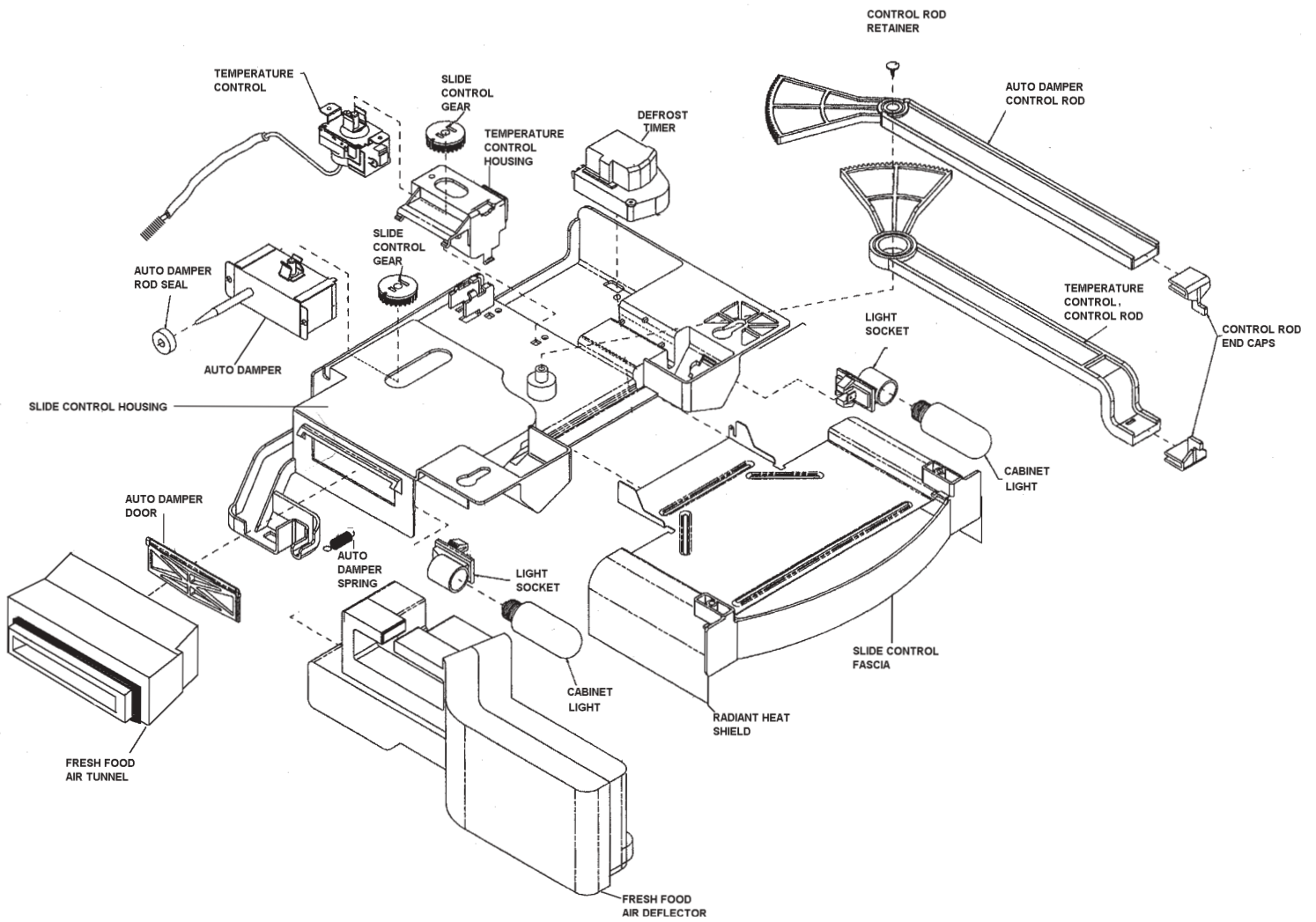
1. **Disconnect the unit from the power source.**
2. Open the fresh food door and remove any items on the top shelf.
3. Set the fresh food control to the coldest position.
4. Remove the light shield cover by pulling down on the back corners of the cover and sliding the cover forward.
5. Remove the fascia/radiant shield mounting screws. Remove the control housing mounting screw at the back, bottom center of the control housing. Slide the control housing to the right. Lower the control housing.
6. Disconnect the temperature control housing electric quick disconnect.
7. Remove the temperature control housing from the refrigerator and place on a flat work surface.
8. Remove the auto damper control rod retainer, control rod and the slide control gear from the auto damper control.
9. Turn the control housing over.
10. Remove the two auto damper mounting screws, then remove the auto damper from the control housing.
11. Mark the auto damper rod approximately 1/4" away from the housing.
12. Uncoil the auto damper capillary tube approximately four inches.
13. Submerge into a glass of ice (no water). Watch for door to move to the closed position.
14. Remove from ice and warm capillary tube (use your hand). Watch door for opposite reaction.
15. If no movement is detected, replace the control.

---

## Auto Damper Control Replacement

1. Complete steps 1 through 10, checking auto damper.
2. Reinstall new auto damper.
3. Reinstall control housing in reverse order of removal.

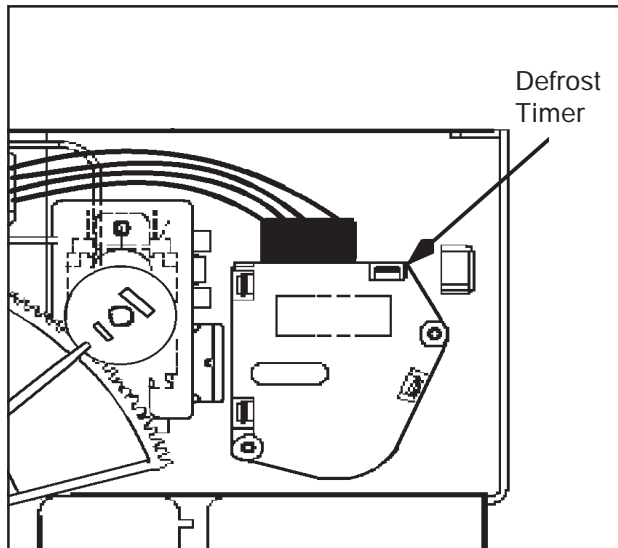
# AUTO DAMPER CONTROL - Exploded View



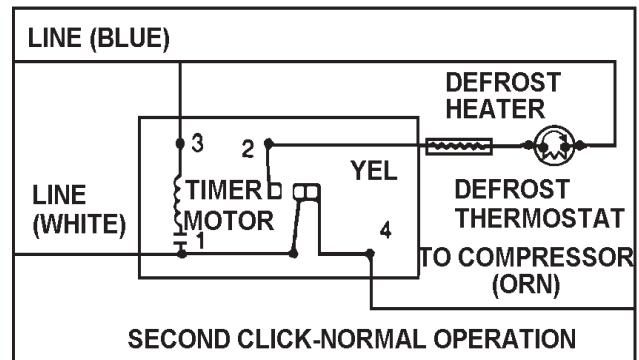
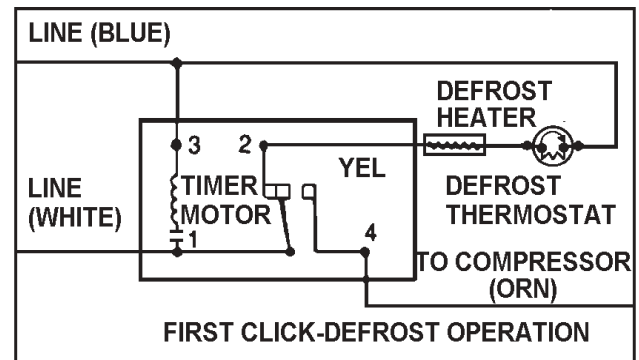
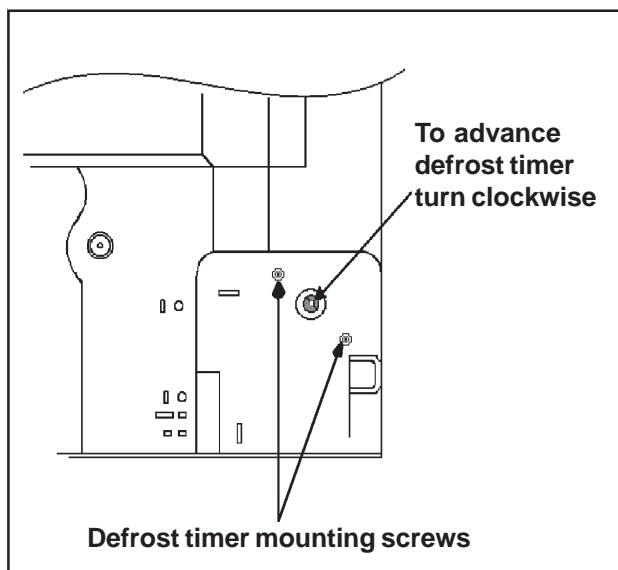


## DEFROST TIMER

The freezer evaporator defrosting system is actuated by an electric timer. The timer is mounted in the control housing located in the fresh food compartment.

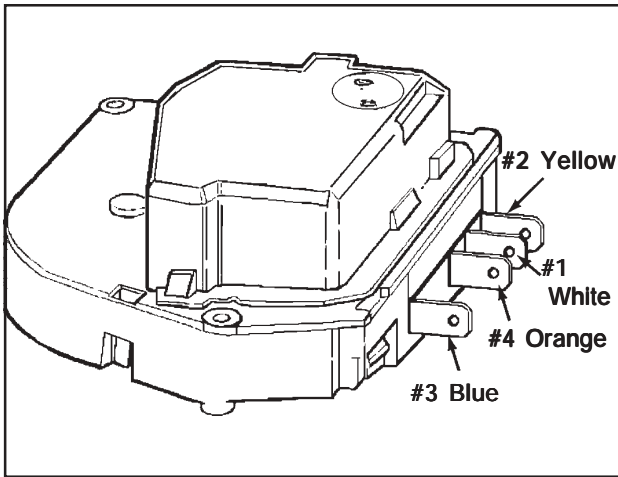


The timer control shaft is designed for screwdriver advancement. When manually setting the timer to initiate defrosting, turn the control shaft clockwise until you establish the approximate location of the defrost cycle. Then turn the shaft slowly, and stop immediately when the first click is heard. The schematic illustrates the timer circuits in sequence.



**1st Click** - The timer turns off the compressor and freezer fan circuit for approximately 23 minutes, and it energizes the defrost heater. Once the temperature of the defrost termination thermostat reaches the cut-out point, the termination thermostat will open the circuit to the radiant heater. However, the compressor circuit remains open for the duration of the defrost interval.

**2nd Click** - The timer switches off the defrost circuit and starts the compressor, freezer fan, and the condenser fan motor. The compressor and fan motors are now governed by the temperature control for a period of approximately 8 hours of the compressor run time, after which a new defrost cycle begins.



## Checking the Defrost Timer

Disconnect all wires from the timer and attach ohmmeter probes to the terminals specified in the accompanying chart. If no continuity is indicated, the timer is defective.

To Test	Turn Timer Knob To	Check Between Terminals
Timer Motor Circuit	Leave as is	1 & 3 *
Defrost Circuit	1st Click	1 & 2
Compressor Circuit	2nd Click	1 & 4

\*See *Maytag Monthly Bulletin*, June 1993 volume:03 Issue 40 Page 1 Low watt Timers (This test works on all low watt timers.)

## Timer Replacement

1. **Disconnect the unit from the power source.**
2. Open the fresh food door and remove any items on the top shelf.
3. Remove the light shield cover by pulling down on the back corners of the cover and sliding the cover forward.

4. Remove the fascia/radiant shield mounting screws. Remove the control housing mounting screw at the back of the control housing. Slide the control housing to the right and lower it from the control housing supports.
5. Disconnect the temperature control housing electrical quick disconnects.
6. Remove the temperature control housing from the refrigerator and place on a flat work surface.
7. Remove the two timer mounting screws.
8. Disconnect the electrical connector from the timer.
9. Install the replacement timer in reverse order of removal.

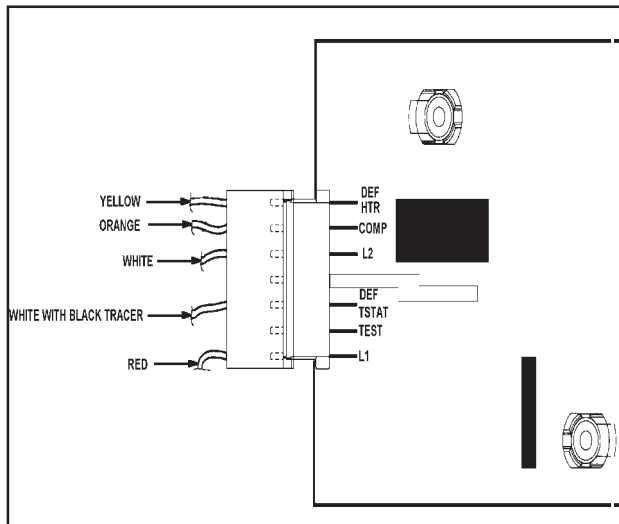
## ADAPTIVE DEFROST CONTROL

The adaptive defrost control assembly is a microprocessor controlled defrost timer. This new control allows defrost to occur only when needed, compared to mechanical timers which defrost at a preset interval whether it is necessary or not. The new control will continually adjust defrost intervals based on the amount of time the defrost heater is energized. This allows the defrost intervals to be adjusted closer to the optimum defrost interval based on use, thus saving energy.

## Checking the Adaptive Defrost Control

1. **Disconnect the unit from the power source.**
2. Open the fresh food door and remove any items on the top shelf.
3. Remove the light shield and the temperature control housing (see steps 3 and 4 replacing the timer).
4. Connect the refrigerator to a wattmeter.
5. Make sure compressor is running (cold control closed).
6. Using an insulated number 22 jumper wire short between L1 and Test; this will put the refrigerator into a defrost for approximately 23 minutes.
7. The watt meter should read between 500 to 600 watts depending on the model.

**Note: If the temperature control is open (unit not running and you jumper L1 and Test) the unit will cycle through the test mode in two seconds and there will be no watt draw.**



## AIR FLOW - FORCED AIR SYSTEMS

These models use a metal sheath heater to remove accumulated frost from the freezer evaporator and drain trough during a defrost cycle.

The defrost timer (models) energizes the defrost heater every 8 hours of accumulated compressor run time. When the temperature in the thermostat area reaches approximately +43° F. the thermostat contacts open the circuit to the defrost heater.

An ohmmeter check will determine if all phases of the defrost cycle are functioning properly. The defrost thermostat contacts open at approximately +43° F. and close at approximately +15° F.

The defrost thermostat has a 240K ohm resistor connected internally across the two terminals. This resistor permits checking the defrost heater when the evaporator temperature is +15° F. or higher.

An ohmmeter can be used to test the defrost heater and thermostat without disassembling the freezer compartment even if the evaporator temperature is +15° F. or higher. To check, proceed as follows:

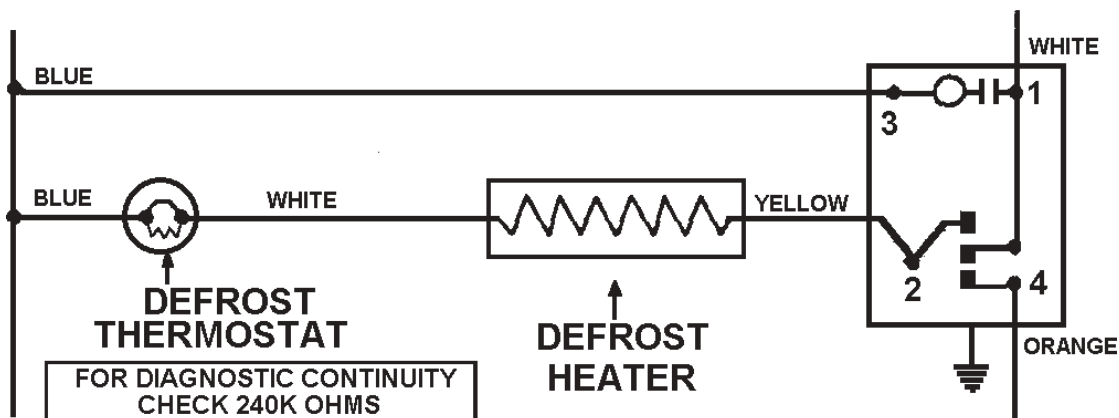
1. **Disconnect the unit from the power source.**
2. Open the fresh food door and remove any items on the top shelf. Remove the light shield and the fascia/radiant shield mounting screws in the temperature control housing. While holding the front of the housing, remove the rear mounting screw. Lower the control housing.

3. Disconnect the timer wire harness connector from the defrost timer.
  4. Set the ohmmeter to R x 1K scale and connect the probes to the No. 2 and No. 3 terminals of the disconnect plug.
  5. The meter should read between 20 to 40 ohms. The resistance is not critical. If there is continuity between terminals No. 2 and 3, the defrost heater is in operative condition. If there are no resistance readings (open circuit) the defrost heater and thermostat must be checked individually.
- NOTE:** *When using the meter, avoid touching the probes as this could result in a false reading and misdiagnosis.*
3. The watt meter should read between 345 and 475 watts depending on the model (total wattage of the timer motor and defrost heater). Should the reading be 0 to 4.5 watts, the defrost heater or thermostat is defective. To further isolate the defective part, proceed to step 4.
  4. Disconnect the unit from the watt meter.
  5. Follow steps 2 and 3 of testing the heater and thermostat when the evaporator temperature is +15°F. or higher.
  6. If the meter reads approximately 240K ohms, the defrost thermostat is defective.

To test the defrost heater and thermostat when the evaporator temperature is +15°F. or below, proceed as follows:

1. **Disconnect the unit from the power source and plug it into a watt meter.**
2. Plug the watt meter into power source and manually advance the defrost timer to the defrost cycle. See the defrost timer section for information on manually advancing the timer.

To use an ohmmeter, set the meter to R x 1K scale. If the reading is approximately 20 to 40 ohms, the defrost heater and thermostat are operative.



---

## DEFROST HEATER REPLACEMENT

1. **Disconnect the unit from the power source.**
2. Remove the ice maker if equipped.
3. Remove the evaporator cover by loosening the top two screws on each corner of the cover and removing the bottom screws on each corner.
4. Tilt the top of the evaporator cover forward and disconnect the wire harness connector.
5. Remove the evaporator cover and fan motor assembly. It is very important that this part be reinstalled in the same manner as it was originally.
6. Disconnect the defrost heater wire leads. Using long nose pliers, remove the defrost heater retainer clips. (One on the right side of the heater and one on the left side).
7. Install the replacement heater in the reverse order of removal.

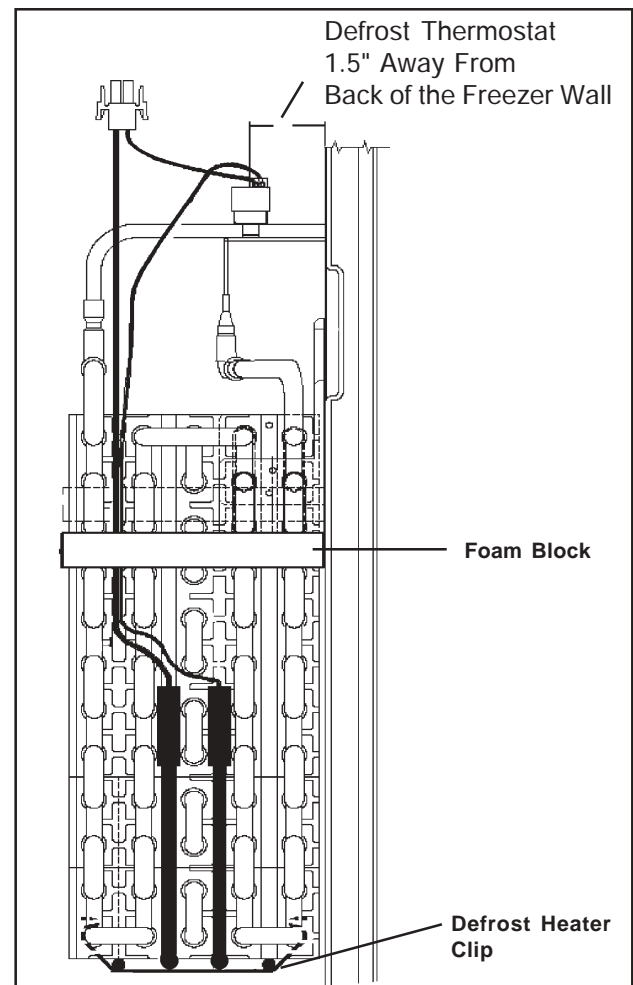
---

## DEFROST THERMOSTAT REPLACEMENT

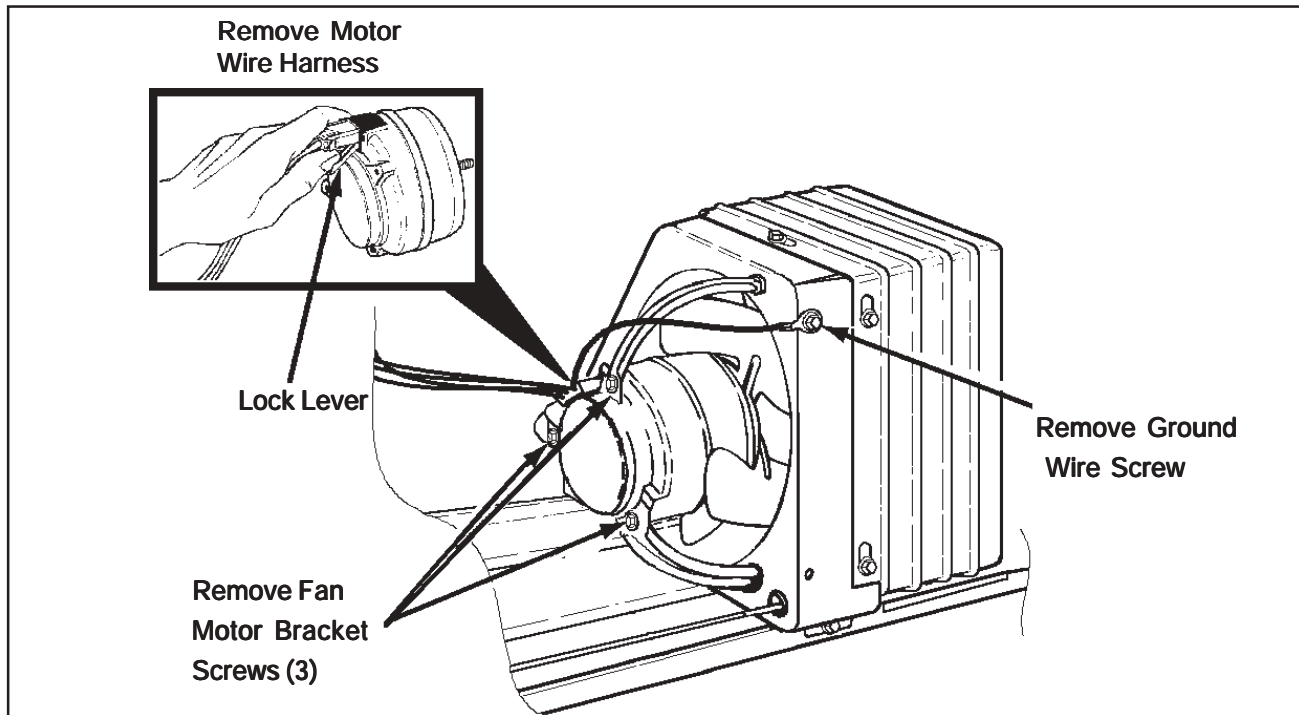
The defrost termination thermostat is located on the top right side of the evaporator.

1. Follow the first five steps in replacing the defrost heater.
2. Disconnect the leads from the thermostat.

3. Remove the defrost thermostat and mounting clip by releasing the mounting clip that is snapped around the evaporator tubing.
4. Install the new defrost thermostat in the reverse order of removal. Make sure the thermostat is located per the drawing below.



## CONDENSER FAN MOTOR



The condenser fan motor is connected in parallel with the compressor. If the compressor runs but the motor doesn't, the motor is either defective or disconnected. If neither operates, check the cold control, defrost timer, and the cabinet wiring.

***To remove the lead connector from the condenser fan motor, grasp the connector with your thumb inserted between the connector and the locking lever as shown. Pull the connector away from the motor.***

### To Check The Condenser Motor Direct

1. **Disconnect the unit from the power source.**
2. Remove the insulated cover from the rear of the cabinet.
3. Disconnect the condenser fan motor lead connector on the motor terminals.
4. Attach a 115v test cord to condenser motor and plug into a power source. If the motor fails to operate, it is defective and must be replaced.

---

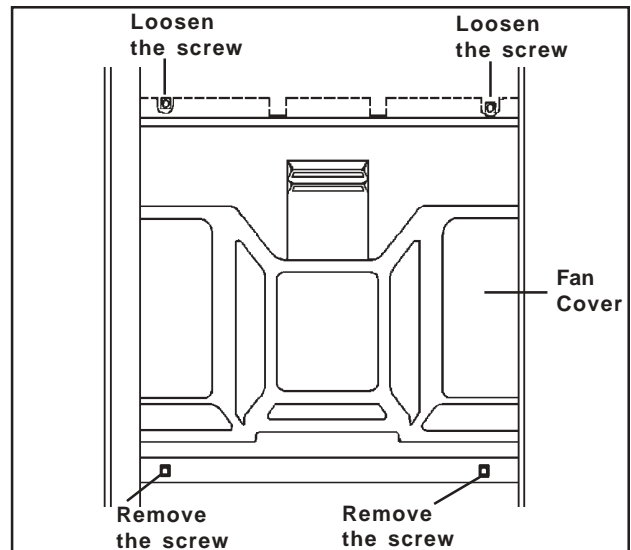
## Condenser Fan Motor Replacement

1. **Disconnect the unit from the power source.**
2. Remove the insulated cover from the rear of cabinet.
3. Disconnect the condenser fan motor lead connector on the motor terminals.
4. Remove the screws that mount the fan motor to the brackets.
5. Transfer the fan blade to the replacement motor making sure it is installed in the same manner as the original.
6. Install the fan motor leads and ground wire.
7. Install those parts previously removed. Test run the unit.

---

## FREEZER FAN MOTOR

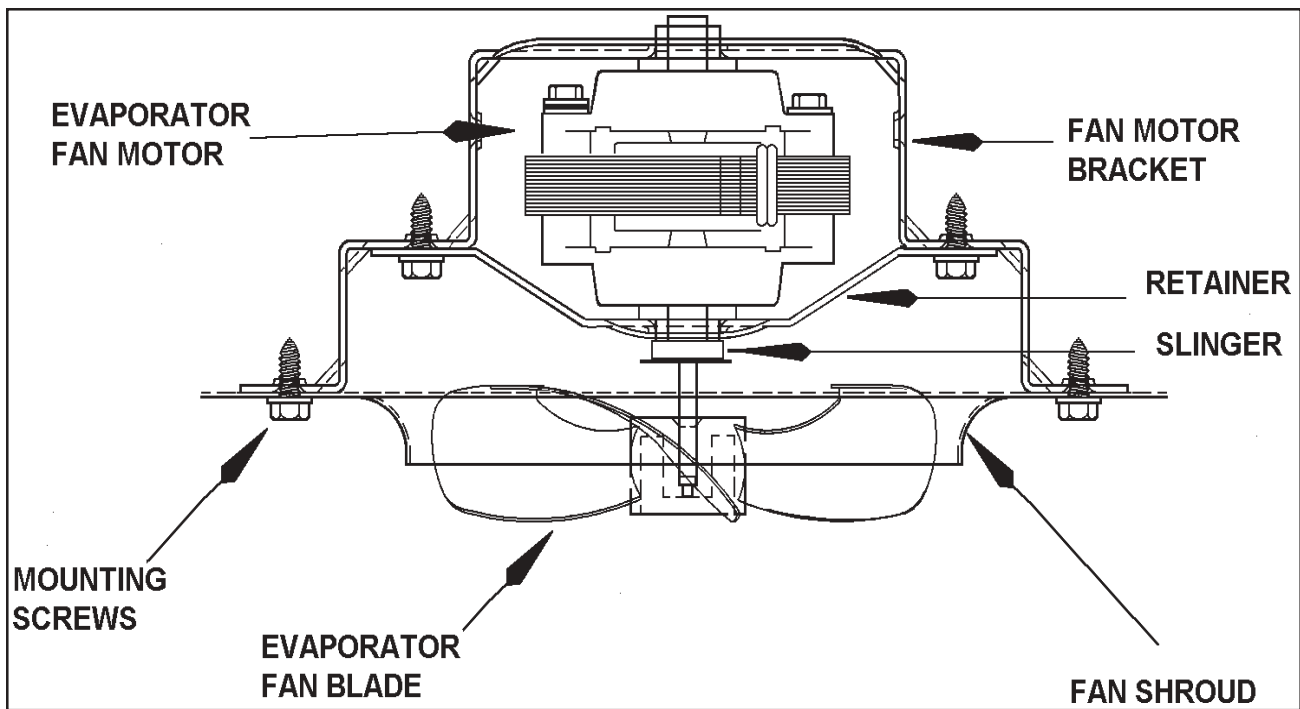
The freezer fan circulates the cooled air throughout the fresh food and freezer compartment. The fan blade is made of polyethylene and is pushed onto the shaft. It is important when replacing the fan blade that the hub of the fan blade faces out, toward the back of the evaporator fan cover. If the fan fails or operates erratically, the reduced air circulation will result in poor cooling characteristics.



---

## Freezer Fan Motor Diagnosis

1. **Disconnect unit from the power source.**
2. Remove the freezer shelving.
3. Loosen the two top screws and remove the two bottom evaporator cover mounting screws.
4. Grasp the bottom of the cover. Carefully pull the cover forward and down to clear the upper flange.
5. Disconnect the evaporator fan motor leads. The wire leads are self-locking and it is important to squeeze the clip before pulling the leads off the terminals.
6. Remove the evaporator fan motor assembly and place it on a work surface.
7. Connect the motor terminals to a service cord and plug the cord into the power source.
8. If the motor fails to operate, it is defective and must be replaced.



## Freezer Fan Motor Replacement

1. Follow steps 1 through 5, "**Freezer Fan Motor Diagnosis.**"
2. Remove the screws that secure the motor bracket assembly to the fan shroud.
3. Remove the fan blade by pulling it off the shaft.
4. Remove the screws that secure the rear bracket to the front bracket. Remove the motor from the rear mounting bracket.
5. Install the new motor to the rear mounting bracket. Mount the rear bracket to the front mounting bracket.
6. Install the slinger disc and fan blade on the replacement in the same position as on the original motor shaft.

**NOTE:** *Make sure the slinger disc does not drag on the fan bushing.*

7. Install the motor and bracket assembly onto the evaporator cover.
8. Connect the wire leads and the ground wire to the motor.
9. Reassemble those parts previously removed and test the unit.

The fan blade is provided with a stop on the face of the hub. It is properly installed when the blade is positioned so the stop rests against the end of the shaft.



---

## SECTION 3. CABINET & RELATED COMPONENTS

---

### ADJUSTABLE CANTILEVER SHELVES

#### **Type #1 - Two support hook frame design.**

Glass or wire cantilever shelves may be available with your refrigerator. To remove a shelf, tilt front up and lift the rear up a fraction of an inch and pull straight out. To lock the shelf into another position, tilt the shelf with the front up. Insert hooks into desired shelf openings and let the shelf settle into place. Check that the shelf is securely locked into position before loading it with food.

#### **Type #2 - Three support hook frame design.**

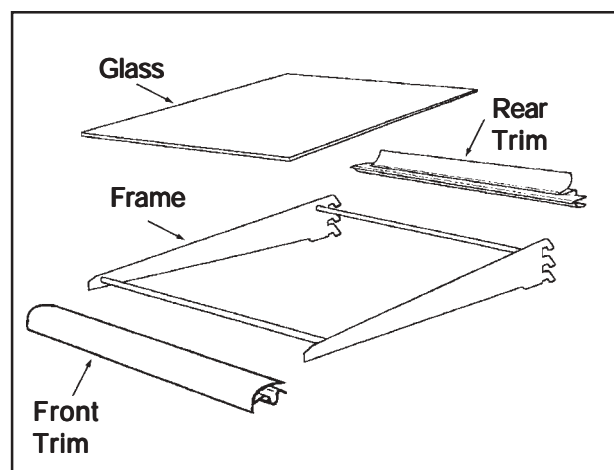
To remove the shelf, grasp the shelf at the front with one hand and push up under the shelf back with the other hand and pull out. To lock shelf into another position, keep the shelf horizontal, guiding the support hooks into the slots in the shelf support at the rear of the cabinet. Lower the shelf until the hooks lock into position. Check that the shelf is securely locked into position before loading with food.

---

### CANTILEVER SHELF TRIM

The cantilever shelf trims are easily removed by placing the shelf on a flat work surface. Raise the front of the shelf, grasp the right underside of the front trim, and pull toward you. Next, remove the glass from the rear trim and remove trim.

Install the new rear trim on the glass. Place the shelf in a vertical position (shelf front up). Install the glass and rear trim by applying a downward force on the rear metal shelf cross brace until it snaps securely in place. Next, install the front trim on the glass and the front metal shelf cross brace.



---

## CABINET DOORS AND ASSOCIATED PARTS

---

### Inner Door Liner Replacement

The polystyrene inner door liner and the door seal are mounted to the outer panel by screws placed around the door flange. The inner door liner can be replaced without removing the door from the cabinet. If it is necessary to remove the door liner, proceed as follows:

1. Turn the control to the **"Off"** position.
2. Open the freezer door and remove the screws from around the door flange.

3. Remove the door liner and transfer the seal to the replacement liner. Make sure the lip of the seal will sandwich between the inner and outer door panel.
4. Position the replacement door liner and loosely install all the screws around the door flange.
5. Open and close the door several times to check the seal for proper alignment.
6. Carefully open the door by pulling on the middle of the door panel.

**NOTE:** *Do not pull the door by the handle or the panel will shift out of alignment.*

7. Tighten all corner screws.
8. Open and close the door several times. Recheck the door seal for proper alignment. If alignment is correct, tighten remaining screws.

Tighten the screws until they are just snug, then turn clockwise another one-half turn.

**NOTE:** *Do not attempt to twist the door panel after all the screws have been tightened.*

9. Transfer the shelves and the trim to the replacement liner.

---

## Outer Door Panel Replacement

**NOTE:** *Remove all food from the freezer door.*

1. Turn the control to the "Off" position.
2. Remove door handle and trim.

3. Use a soft lead pencil to trace around the upper hinge. (This will aid in replacing the hinge.)
4. Remove the upper hinge and place it on top of the unit with newspaper or cloth underneath to prevent scratching. Do not misplace the spacers. Place the door on a padded work surface.
5. Transfer the handle, trim, plug button, bushings, gaskets and liner to replacement panel.
6. Install the top hinge using the tracing to align the hinge.

---

## FRONT WHEEL ASSEMBLY

The front wheel assembly is securely fastened by two screws to the face plate of the cabinet.

Depending on the model, you will encounter adjustable or non-adjustable front wheel assemblies. To lock the cabinet in place lower the front leveling legs.

---

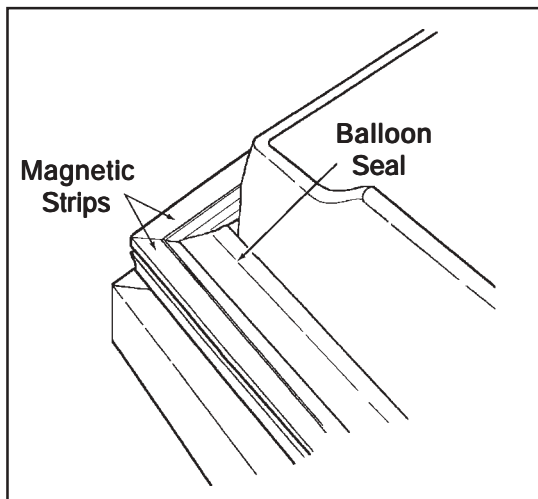
## CABINET LEVELING

To enhance its appearance and maintain efficient performance, the refrigerator should be level. The front wheels were adjusted at the factory so the doors were properly aligned and the cabinet level. However, jarring in transit, or standing the refrigerator on uneven floors may cause the doors to shift out of alignment. If front alignment is necessary, adjust the wheel with a hex head driver. Clockwise raises the cabinet, counter-clockwise lowers the cabinet. If front wheels are not adjustable, use leveling legs to level.

---

## DOOR SEAL

The drawing shows a view of the magnetic door seal used on all models mentioned in this manual. The magnetic strips are attracted to the metal cabinet front, providing an excellent seal around the entire door. A visual inspection of the door seal while opening and closing will reveal any areas of poor seal. You will notice a slight expansion and compression of the seal bellows as the door is opened and closed.



Door Seal And Magnetic Strips

---

## TOE-IN & TOE-OUT ADJUSTMENTS

To seal evenly around the entire door, the seal must make contact at the top and bottom at the same time. For this reason, the door, when ajar, should not *toe-in* or *toe-out*. To correct a *toe-in* or *toe-out* condition, first check that the hinge-side of the door is parallel with the cabinet then proceed as follows:

1. Check the cabinet levelers and adjustable wheels. Raising the handle side may correct a toe-out; lowering may correct a toe-in.
2. Loosen all inner panel mounting screws along the top, bottom and handle side of the door. Do not loosen the screws along the hinge side.
3. Hold the corner that toes-in stationary, and push in on the toe-out corner until the door is lined parallel with the cabinet.
4. Open and close the door several times to ensure a proper fit. ***If necessary, repeat steps 2 and 3.***
5. Tighten all loosened screws.

---

## HINGE ADJUSTMENTS

Hinge adjustments are necessary when:

1. The seal is not sealed sufficiently along the hinge side of the door.
2. The seal is compressed more than 1/16" on the hinge side (causing a poor seal elsewhere around the top.)
3. The distance between the door and cabinet is greater at the top than it is at the bottom, or vice versa.
4. The hinge side of the door is not 1/16" out past the side of the cabinet when (measured from the side of the cabinet), or when the door panel top is not 7/64" above the cabinet top.
5. If one or more of these conditions exist, adjust one or both hinges to correct the trouble. Raising the hinge side may correct a door sag.

---

## DOOR ALIGNMENT

The cabinet door on all models is in correct alignment when:

1. The hinge side of the door is an equal distance from the cabinet flange at the top and bottom.
2. The gasket seals smoothly and is compressed no more than 1/16" along the hinge side with the door closed.
3. The door lines up with the side of the cabinet (viewed from the front). The door panel is parallel with the cabinet top.

In many cases, leveling the refrigerator will eliminate the need for cabinet door adjustments. Ensure that the refrigerator is plumb by checking all edges as well as both sides of the cabinet with a carpenter's level.

---

## DOOR SWITCH

**Disconnect the unit from the power source.**

The door switches can be easily removed by using a flat blade screw driver or putty knife. Pry from the liner and disconnect wires.

---

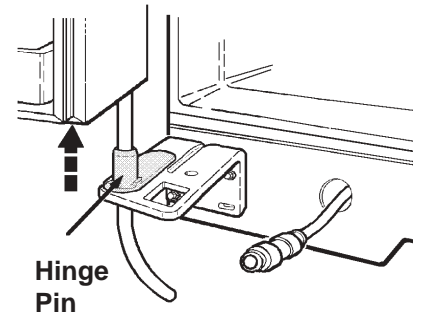
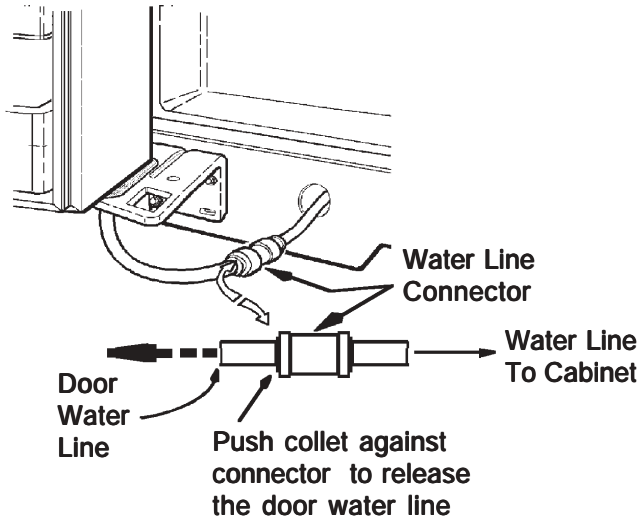
## WATER/ICE DISPENSER FREEZER DOOR REMOVAL

Before attempting to remove the door hinge, look at your refrigerator and note the exact number and position of all protective shims on the door hinge. Later, when you replace the hinge, these must be positioned correctly.

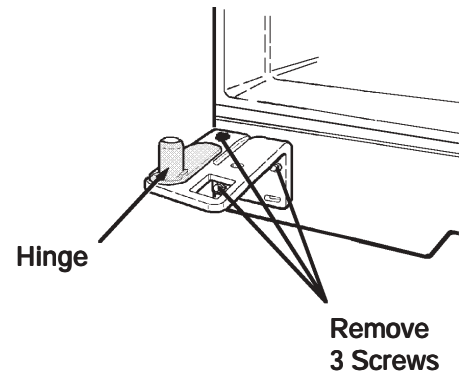
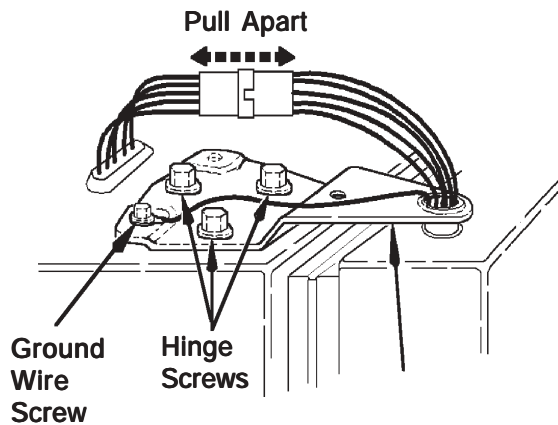
1. **Disconnect the unit from the power source.**
2. Open the door completely. Remove the bottom hinge cover by squeezing on the bottom and top while pulling it toward you.
3. Locate the water line tubing coming out of the cabinet. Carefully pull on the tubing until the connector is on the outside of the cabinet.
4. Disconnect the door water line tubing.
5. Remove the top hinge cover.
6. Disconnect the door wire harness by pulling apart the two halves of the connector. **DO NOT PULL THE WIRES.**
7. Mark the position of the top hinge with a lead pencil.
8. Remove the ground wire screw with a 1/4" socket & ratchet. Hold door with one hand and finish removing screws. Leave the hinge in the door.
9. Replace the door in reverse order of removal.

# WATER/ICE FREEZER DOOR REMOVAL

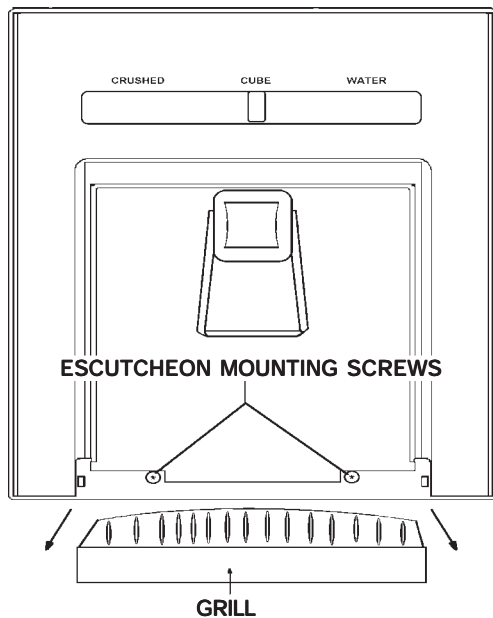
Lift the door up enough to allow another adult to guide the water line through the hinge pin. Rest door on a non-scratching surface.



Mark the location of the bottom hinge with a pencil. Use a 5/16" socket & ratchet to remove the 3 screws from the bottom hinge.

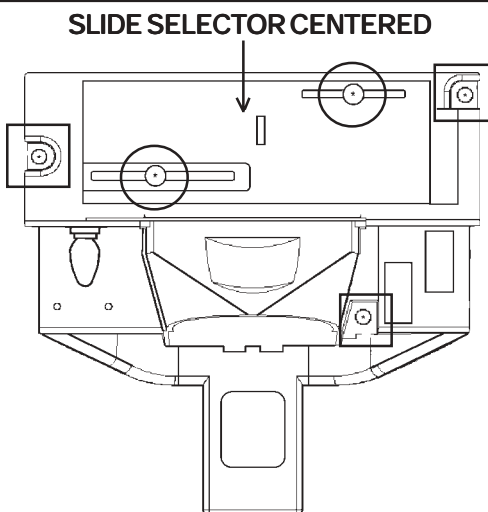


## FOUNTAIN ASSEMBLIES - Manual Slide Control



### Ice and Water Fountain Bracket Assembly Removal

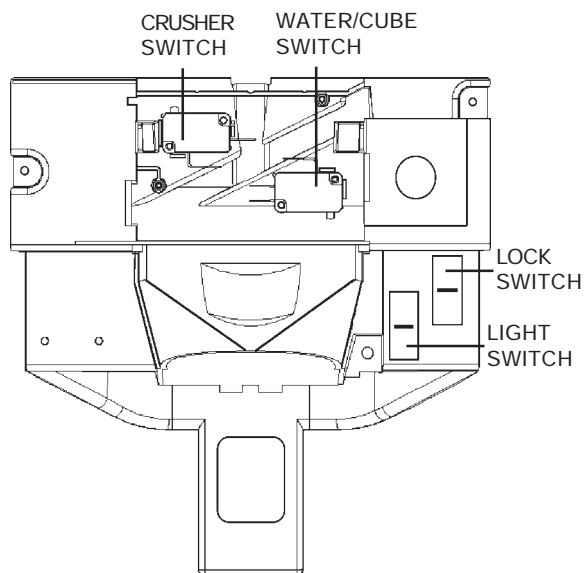
1. Pull straight out to remove the grill from the fountain sump.
2. Remove the two escutcheon mounting screws.
3. Raise the escutcheon up and off the fountain assembly.



4. Place slide selector in center position.
5. Remove the three fountain bracket mounting screws. (See drawing in the lower left column.)
6. Carefully pull the assembly out of the fountain housing. You now have full access to the solenoid, dispenser mechanism, PC delay board, lock switch, light socket, and the light switch.
7. To repair the assembly, disconnect electrical quick disconnect.

### Checking and Replacing the Crusher and Water/Cube Switch:

1. **Disconnect the unit from the power source.**
2. Perform steps 1 through 3 of **Ice & Water Fountain Bracket Assembly Removal**.
3. Remove the two slide selector mounting screws. (See drawing in the lower left column.)
4. Remove the slide selector.
5. Check the continuity of the switch. If defective, go to step 6.
6. Remove the switch mounting screw.
7. Remove the switch.
8. Remove the wire leads.
9. Install new switch in reverse order of removal.




---

### Checking and Replacing the Actuator Switch:

1. **Disconnect the unit from the power source.**
2. Perform steps 1 through 6 of **To Remove Ice and Water Fountain Bracket Assembly.**
3. Check the continuity of the switch if defective go to step 4.
4. Remove the mounting screw.
5. Remove the switch.
6. Remove the wire leads.
7. Install new switch in reverse order of removal.

---

### Fountain Heater

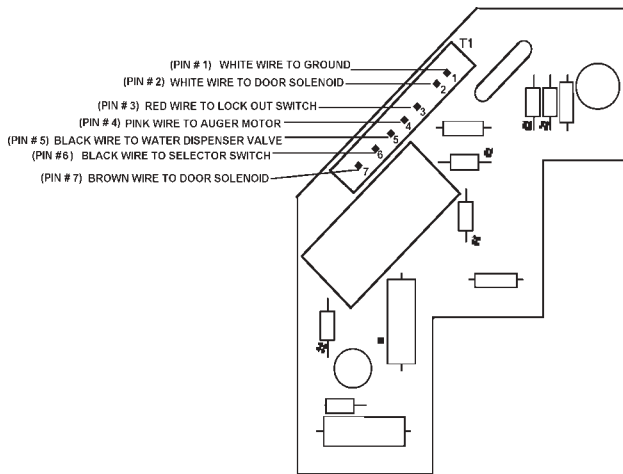
(A fountain heater is used on all dispenser models).

The fountain heater is used to evaporate any moisture that might accumulate from condensation. It is bonded to self-adhesive aluminum foil which is shaped to fit the outside of the fountain housing.

1. **Disconnect the unit from the power source.**
2. Remove the ice and water fountain bracket assembly as discussed earlier.
3. Disconnect the electrical quick disconnect.
4. Check for resistance between the red wire with the black tracer and the white wire on the fountain housing, quick disconnect electrical connector.
5. If the fountain heater reads open, go to step 5.
6. Remove the door from the unit and disassemble liner and the gasket.
7. Carefully remove the foam seals and disconnect the heater wire terminals.
8. Pull the foil heater backing from the fountain.
9. Reassemble the parts in reverse order of removal.

---

## PC BOARD CHECKS



**The following checks should only be made by a Qualified Service Technician.**

1. **Disconnect unit from the power source.**
2. For easy access of the PC board, perform steps 1 through 5 of **Ice and Water Fountain Bracket Removal**.
3. Make sure everything is clear. Apply power to the refrigerator and perform the following checks with a volt ohmmeter.

### ***IF DOOR FAILS TO OPEN:***

**Note: The following checks will be at terminal board connector T1.**

1. Check for 115 volts AC from PIN 3 to PIN 1. (Lock out switch must be closed.)
2. Check for 115 volts AC from PIN 4 to PIN 1 when selector is set to crushed or cubed and actuator is depressed. If not there, check selector switches, actuator switch and associated wiring.

3. During activation, check for approximately 100 volts AC from PIN 7 to PIN 2. If 100 volts AC is not present, replace the board. If voltage is present, check the solenoid and associated wiring.

### ***IF THE DOOR FAILS TO CLOSE:***

1. **Disconnect the unit from the power source if the door still stays open.** Check the solenoid, door hinge and spring assembly. If the door closes, go to step 2.
2. Plug the unit in, check for 0 volts AC from PIN 1 to PIN 4. If you read 115 volts AC check switches and wiring. If voltage reads 0, go to step 3.
3. **Disconnect the unit from the power source** and remove the circuit board. Check continuity from PIN 7 to PIN 2. If shorted, replace the circuit board.

---

## Fountain Door Delay

Normal door delay will be approximately 2 seconds.

---

## Excessive Door Delay

Check for mechanical obstruction, if none replace PC board.

---

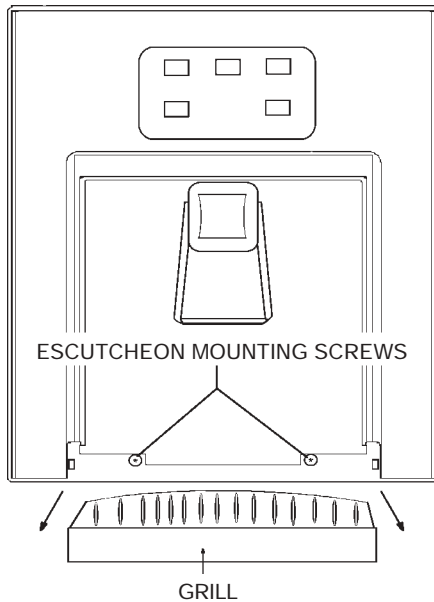
## Short Door Delay

1. Check for 115 volts AC between PIN 3 and PIN 1. This ensures proper wiring and good connection. Low voltage may represent a problem in wiring connections or at outlet.
2. Check for 115 AC between PIN 1 and Pin 4 when dispenser switch is engaged.



The PC board uses this line to charge the holding circuit. A low voltage condition here may represent poor switch contacts. (Low voltage may cause short delays.) If low voltage conditions do not exist, replace the PC board.

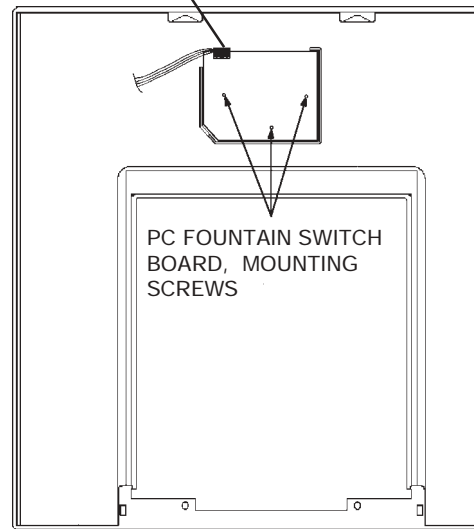
## FOUNTAIN ASSEMBLY - Electronic Control



## Ice & Water Fountain Bracket Removal

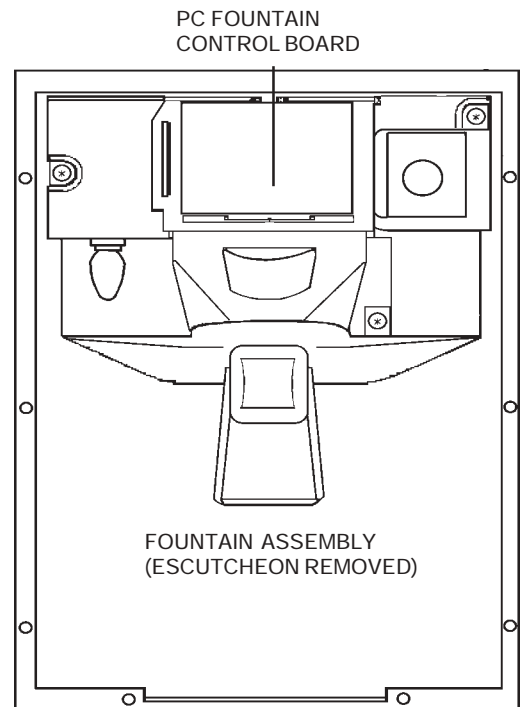
1. Disconnect the unit from the power source.
2. To remove the grill from the fountain sump, pull straight out.
3. Remove the two escutcheon mounting screws.
4. Carefully raise the escutcheon up and off the fountain assembly.
5. Disconnect the quick disconnect edge connector from the PC fountain switch board.
6. Remove the three fountain bracket mounting screws.

Quick disconnect edge connector from the PC fountain control board (Pull up to remove)

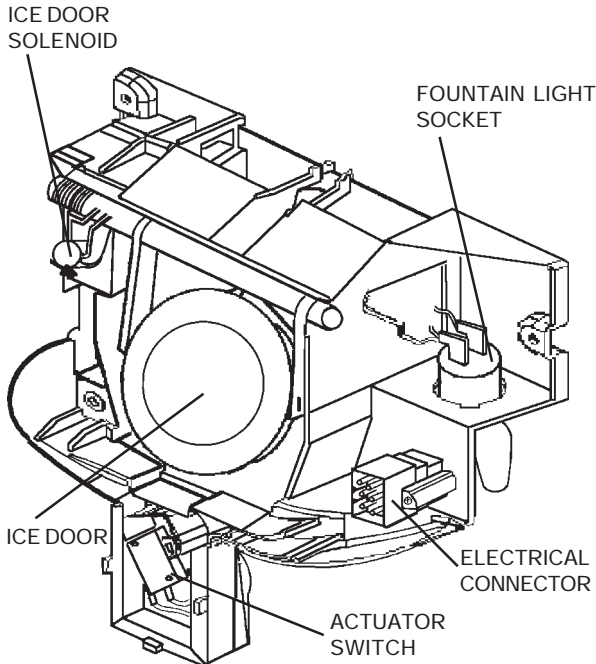


REAR VIEW FOUNTAIN ESCUTCHEON

7. Carefully pull the assembly out of the fountain housing. You now have full access to solenoid, dispenser mechanism, PC fountain control board and light socket.
8. To repair the assembly, disconnect electrical quick disconnect.



## Fountain Bracket Assembly



## Checking and Replacing the Actuator Switch:

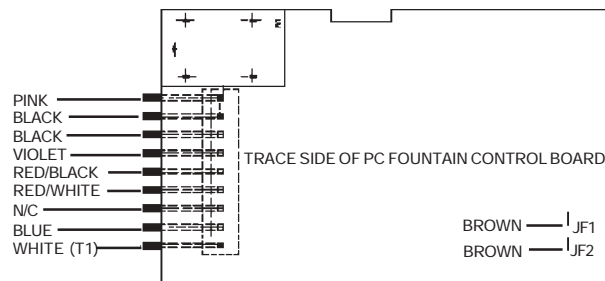
1. Disconnect the unit from the power source.
2. Perform Steps 1 through 6 of **Ice & Water Fountain Bracket Removal**.
3. Continuity check the switch. If defective, go to step 4.
4. Remove the mounting screw.
5. Remove the switch.
6. Remove the wire leads.
7. Install the new switch in reverse order of removal.

## Electronic Control Board Troubleshooting

The following checks should only be made by a Qualified Service Technician.

### NO LED'S ILLUMINATED ON THE FOUNTAIN TOUCH PAD

1. Check ribbon cable/wire connection between the two PC boards ("Mechanically Tight").
2. Checking the AC line in fountain verifies operation/closure of door interlock switch.



3. Check fountain heater continuity. **Unplug the unit.** Check heater resistance neutral to heater connection it should read approximately 4800 ohms.
4. Replace LED/Switch board.
5. Replace fountain control board.

### SOME LED'S WILL NOT LIGHT

1. Replace LED/Switch board.
2. Replace fountain control board.

### FOUNTAIN LIGHT WILL NOT LIGHT

1. Check bulb and mechanical connections.
2. Does fountain light illuminate during a dispense?

Yes: (a) Replace LED/Switch board.

No: (b) Replace fountain control board.

### WILL NOT DISPENSE ICE OR WATER

1. Press lock button 3 times. If another LED lights, replace LED/Switch PC Board.
2. When actuator pad is pressed, does fountain light come on?

**Note: Make sure fountain light bulb is good!**

No: (a) Check actuator switch and mechanical connections.

(b) Replace PC control board.

Yes: (a) If nothing works (ice door solenoid/auger/cube solenoid/water valve), replace PC control board.

No: (b) If some functions work check for 115 VAC at ice door solenoid/auger/cube solenoid/water valve terminals during dispense.

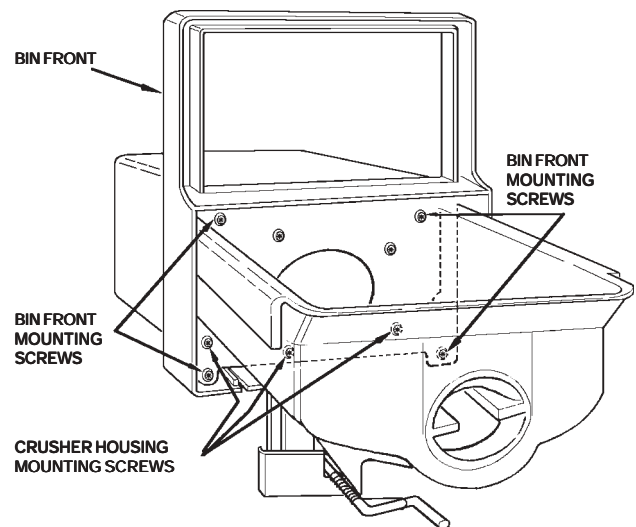
(1) If 115 VAC output exists, replace component.

(2) If 115 VAC output is not present, replace control board.

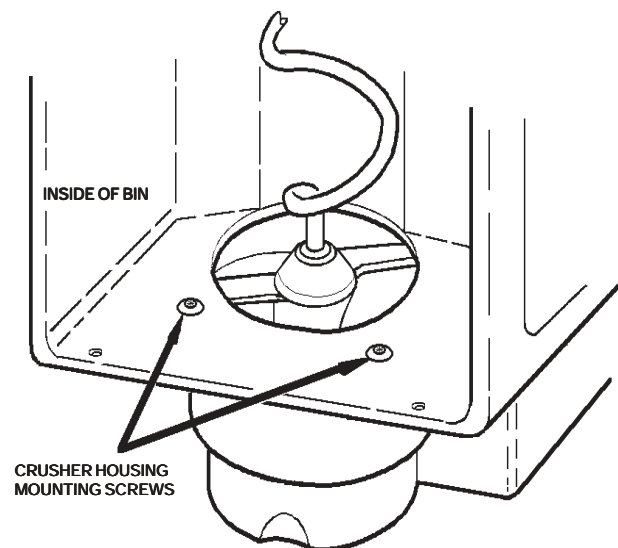
---

### ICE CRUSHER BIN AND SHELF ASSEMBLY

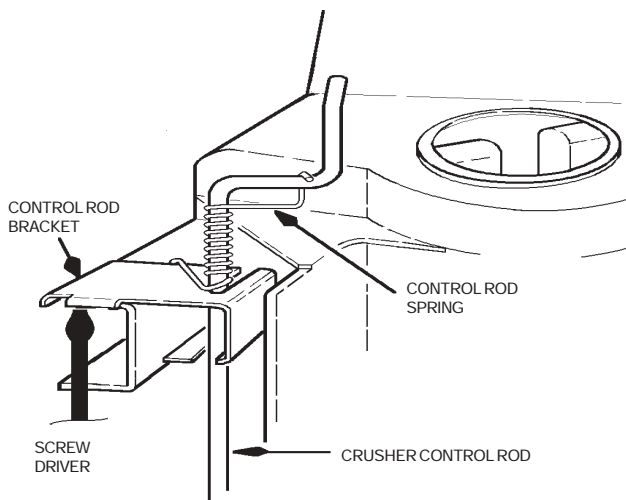
1. To service the ice/crusher related components, turn the ice maker off by lifting the shut off arm. Remove the bin assembly.
2. Remove the four bin front mounting screws.



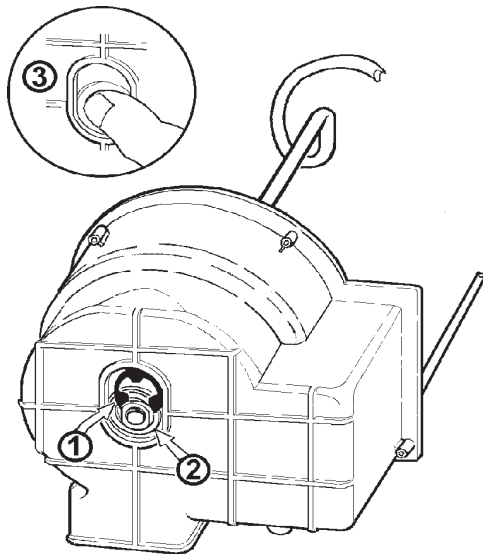
3. Place the bin assembly on the crusher housing.



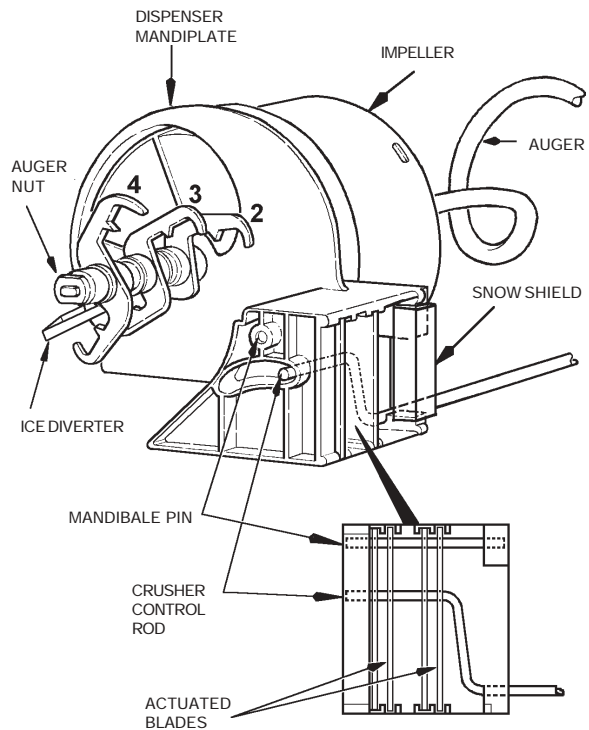
4. Care should be taken when removing the control rod spring to ensure it does not snap back on your finger.



- When removing the control bracket, hold the clip; this will prevent it from being thrown off.

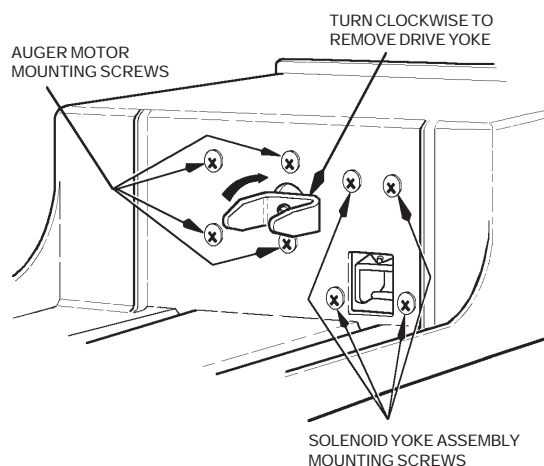


- When removing the crusher housing, position the snap ring (1) as shown in the above drawing, then remove it and the retainer washer (2).
- Push the auger assembly away from the crusher housing using your thumb (3).
- To remove the auger nut turn it clockwise.



- Replace the parts as required. The number on the blades should face the back of the auger nut. Blade number 4 should be nearest to the auger nut.
- Make sure the ice diverter is aligned to the boss on the dispenser mandiplate.
- Reinstall all other components in the reverse order of removal.

## ICE/CRUSHER BIN SHELF ENCLOSURE ASSEMBLY



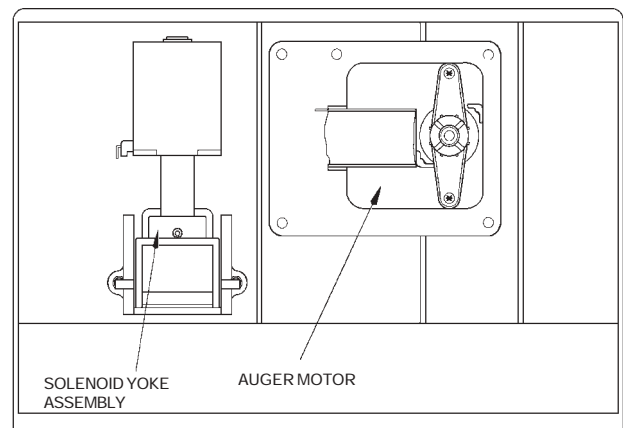
The auger motor and solenoid are located behind the storage bin. The yoke, fastened to the motor, engages the drive ring and turns auger in a clockwise direction. Both the yoke and drive ring are designed to prevent a loosening of the yoke by exerting counter pressure while in operation.

The auger motor makes one revolution approximately every three seconds. To determine the free movement of the auger motor, place the selector switch in either cube or crushed position (slide selector models). On electronic models, push the cube or crushed selector pad. Open the freezer door, push and hold the cabinet interlock switch in the closed position while pushing the dispenser actuator pad.

The solenoid is energized only when the selector switch is in the cube position. This will pull back the actuated blades. To determine the free movement of the solenoid/yoke assembly, place the selector switch (slide selector models) in the cube position. On electronic models, push the cube selector pad. Open the freezer door. While pushing the dispenser actuator pad, push and hold the cabinet interlock switch in the closed position. Observe the control rod yoke for vertical movement.

The auger motor and the solenoid/control rod yoke assembly are easily removed.

1. **Disconnect the unit from the power source.**
2. Remove the ice/crusher bin assembly.
3. Remove the retainer screw at the bottom left side of the ice/crusher bin shelf enclosure.
4. Pull the shelf forward and disconnect the quick disconnect.



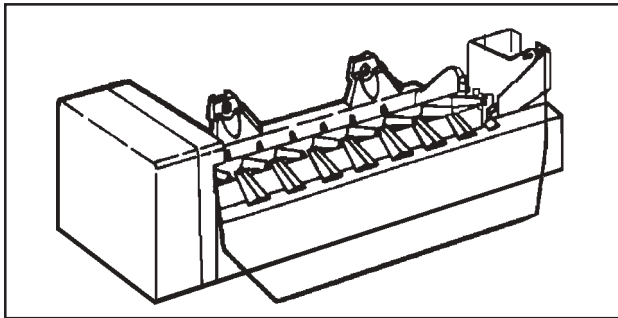
5. Remove the assembly from the freezer and place on a flat work surface.
6. To check the auger motor, attach an ohmmeter probe to the auger motor terminals. The meter should show resistance. If the meter does not show resistance, the motor should be replaced.
7. To replace the motor, hold the auger motor armature and turn the yoke clockwise, releasing yoke from the motor shaft. Remove the yoke and washer.
8. Remove the four mounting screws that fasten the motor enclosure. Remove the motor from the enclosure.
9. Install the replacement part in reverse order of removal.
10. To check the solenoid yoke assembly, attach an ohmmeter to the solenoid terminals. The meter should show resistance. If it does not show resistance, replace the solenoid yoke assembly.
11. Remove the four screws that fasten the solenoid yoke assembly to the enclosure. Remove the assembly from the enclosure.
12. Install the replacement part in reverse order of removal.



## SECTION 4. ICEMAKER

### SERVICING

The design of this ice maker allows all of the components to be tested without removing the ice maker or moving the refrigerator away from the wall to access the water valve.

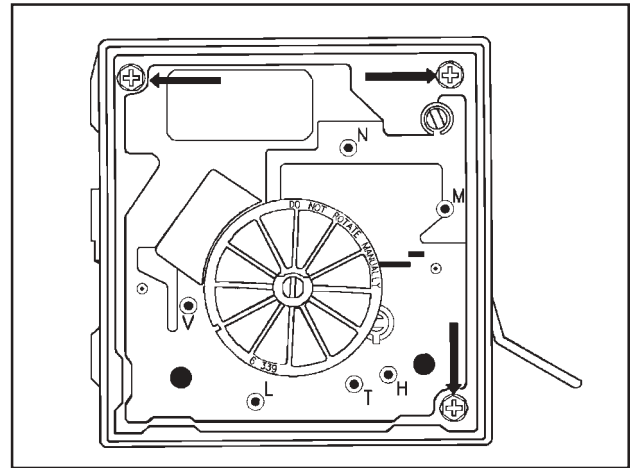


Remove the cover and you will see the test points identified on this module.

N	Neutral side of line
M	Motor connection
H	Heater connector
T	Thermostat connection
L	L1 side of line
V	Water valve connection

**NOTE:** *Read this section completely before doing any testing or adjusting. Refer to the tech sheet for complete testing information.*

The test holes are identified as "N", "M", and "V", etc.



### TEST PROCEDURES

Ice maker plugged into power/Shut-off arm down/Freezer cold:

- Test points L & N will verify 120 volts to ice maker module.

(Make sure your test probes go into the test points 1/2".)

- Test points T & H will verify if the bimetal thermostat is open or closed.

Short T&H with an insulated piece of wire (14 gauge) to run the motor. If the motor doesn't run, replace the module assembly. If the motor runs, replace the bimetal thermostat.

- If you leave the jumper in for half of a revolution, you can feel the heater in the mold heat up, if it is good.

Remove the jumper and the water valve will be energized in the last half of the revolution. (Make sure the freezer temperature is cold enough to close the bimetal).

**NOTE:** Do not short any contacts other than those specified. Damage to the ice maker can result.

### Ice Maker Unplugged:

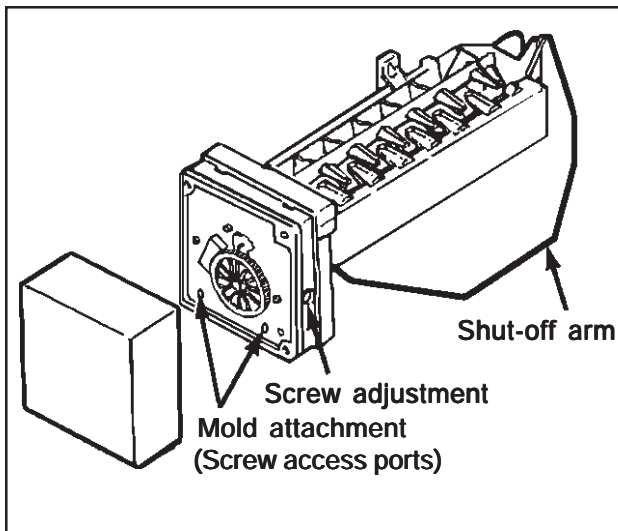
- Test points L&H will check the resistance of the heater (72 ohms). Replace the mold and heater assembly if not near this value (+/- 10 ohms).

(Ejector blades should be at the end of the cycle position.)

---

## SERVICE PROCEDURES

**Cover:** Pull water adjustment knob first and snap off cover. Index knob and reinstall in same position for same water fill. (Some units may not have index knobs.)



**Module, Motor, and Support Assembly:** Insert Phillips screwdriver in access ports of module. Loosen both screws. Disconnect shut-off arm. Pull mold from support assembly. To remove module only, remove 3 Phillips screws and pull module out of housing.

**Shut-Off Arm:** Pull out from white bushing. Reinsert to full depth. See page 5-15 for detailed position.

**Mold & Heater:** Remove module and support assembly. Install on new mold and heater assembly.

**Bimetal:** Remove module and support assembly. Pull out retaining ring clips with bimetal.

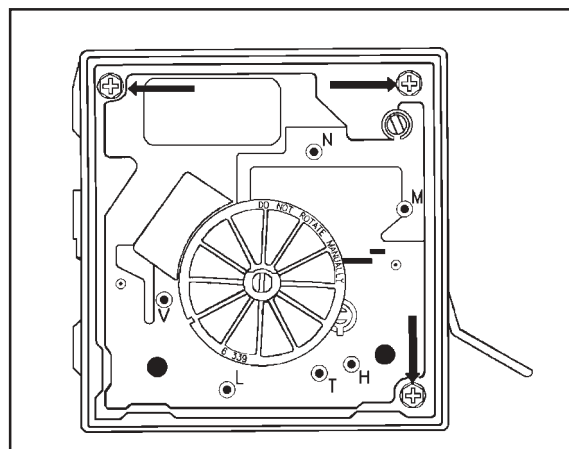
**Fill Cup:** Remove module and support assembly. Remove ejector blades and shut-off arm. Pull fill cup up from mold.

**Ejector Blades or Stripper:** Remove module and support assembly. When reinstalling ejector blades, realign "D" coupling with module cam.

---

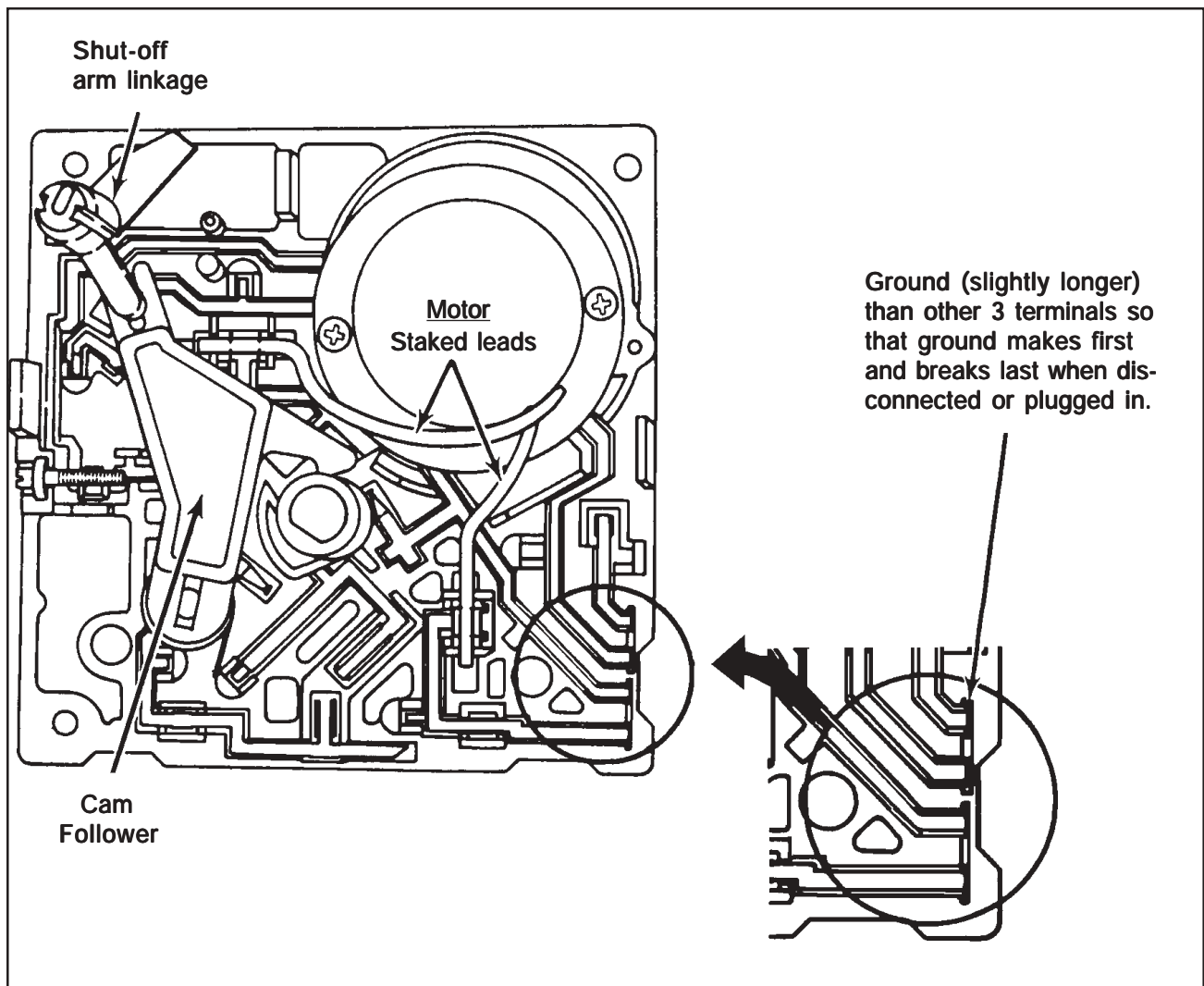
## ACCESSING THE CONTROL BOX

To remove motor and contact assembly from control box, take out three screws (see arrows) and pull free **after disconnecting the shut-off arm**.





## MODULE COMPONENTS



**WARNING**  
*Warning - Never rotate the blade or the drive gear... It will ruin the main assembly.*

**NOTE:** *There are several slotted shafts on the motor assembly board. Do not under any circumstances insert a screwdriver and attempt to turn these shafts. These slots are to permit assembly only.*

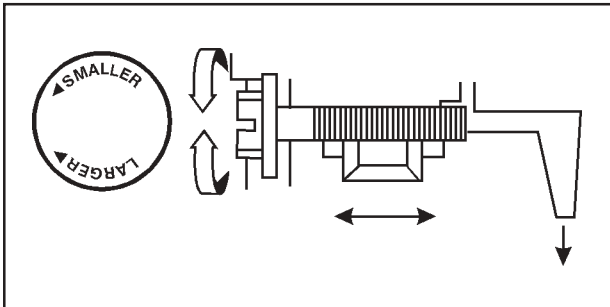
There are several switches which will jam if manually turned counterclockwise. Also, the gears will be destroyed if turned clockwise. If you need to advance the ice maker into the cycle, use a jumper to bridge "H" to "T". Unless the motor is defective, it will run. (The shut-off arm must be in the "ON" position.)

**NOTE:** *There are no repairable or replaceable components in the module. Unless replacing the module, there should be no need to remove it when diagnosing or repairing the ice maker.*

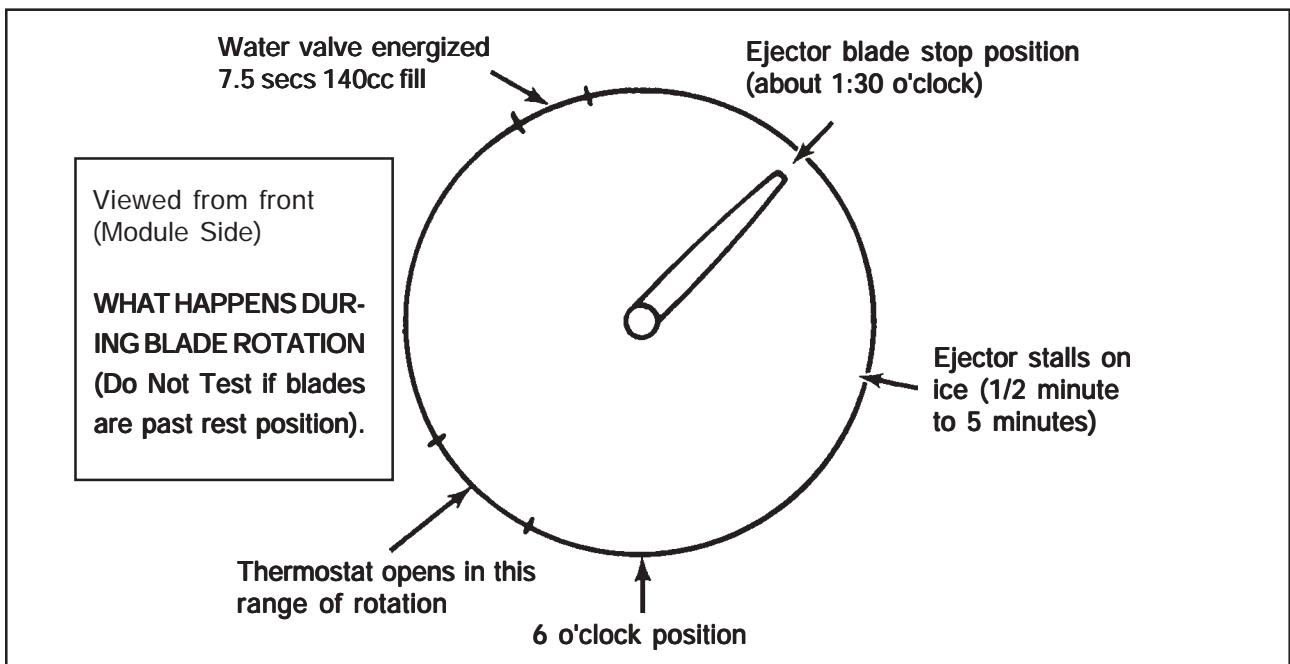
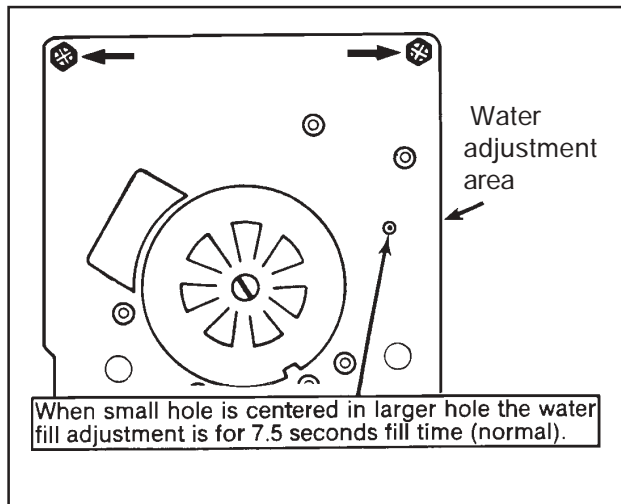
## WATER FILL ADJUSTMENT

Turning the water level adjustment screw will move the contact in its relationship with the contact ring segment. This causes the contact to vary the time that the water valve is energized since the contact ring is tapered at the end of the fill time.

- 360° will affect fill by 40cc - 180° varies the fill by 20cc.
- Further adjustment could damage module.
- If water valve adjustment screw falls out, put it back in and align the hole in the hole as shown.



- Turning the knob or screw clockwise decreases fill - counterclockwise increases the fill amount.
- Only one revolution is possible with the cover on, due to a stop molded on cover.



---

## WATER PROBLEMS

Water quality can cause ice makers to fail or produce unacceptable cubes. If mineral content or sand is a problem, the screen in the fill valve can restrict. A particle of sand can keep the valve from seating properly. Results will be small crescents (or no ice) or flooding of the ice container if the water valve does not close.

Mineral content can also lime up the mold causing wicking of water over the mold and poor cube release. Silicone is applied at the upper edges, around the fill cup and stripper.

---

## TEMPERATURE PROBLEMS

Temperatures in the freezer section which average above the normal  $0^{\circ} \pm 5^{\circ}$  will slow the production of ice. Complaints of inadequate crescent production may be corrected by setting the freezer to a colder temperature in this one-revolution ice maker is  $17^{\circ} \pm 3^{\circ}$ . Obviously, the ice will be well frozen when these temperatures are achieved, but cycling time will be slowed if the freezer temperature is not cold enough to achieve these mold temperatures easily.

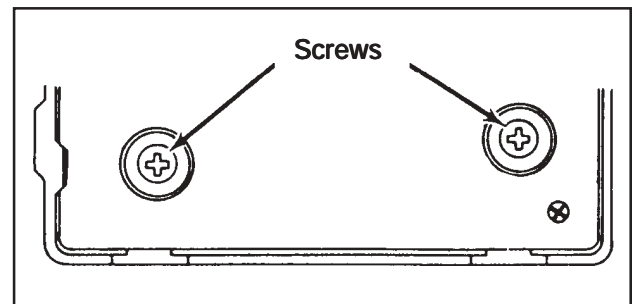
**NOTE: Only the thermostat, mold with heater and wiring harness are replaceable. Any other failure (including the motor) requires replacement of the module assembly. If you are replacing the mold assembly, it comes with a new mold heater installed. External plastic parts are also replaceable.**

A failed mold heater requires complete replacement of the mold and mold heater assembly.

---

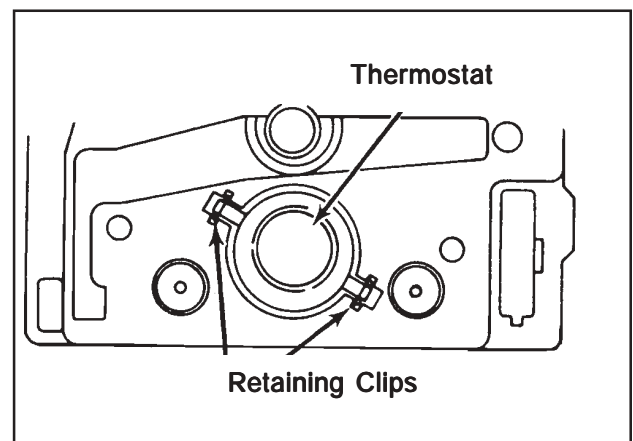
## THERMOSTAT

If the thermostat is diagnosed as defective, it can be removed and replaced easily. Remove the module from the mold by taking out two Phillips screws.



**Pull**  
(Front of module)

Pull the module free of the mold and you will see the thermostat on the mold side.

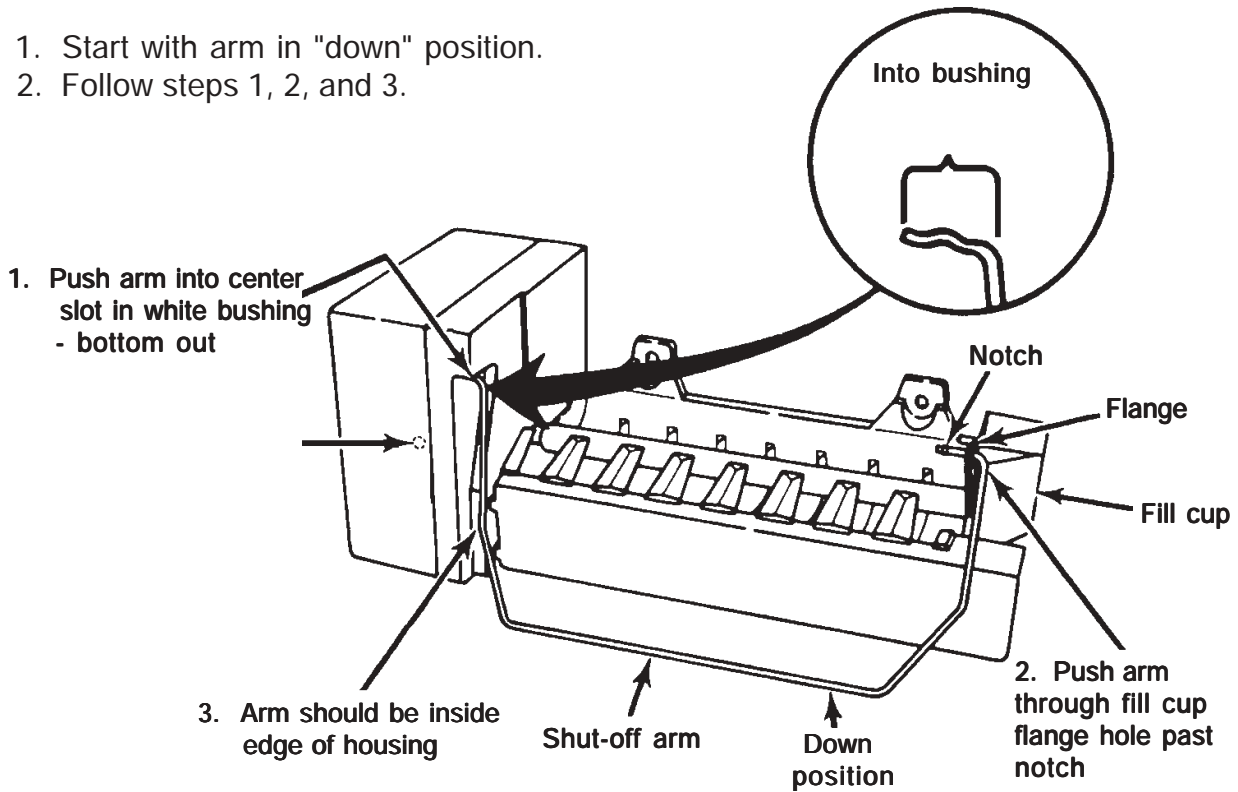


Using needle nose pliers, grasp one of the thermostat clips and pull out. Press in new thermostat, making sure that pins are properly indexed. Using this procedure, it is not necessary to remove the electrical assembly. If you are replacing the module, transfer the clips to the new mold support. (Use new thermal bonding material.)

# INSTALLATION

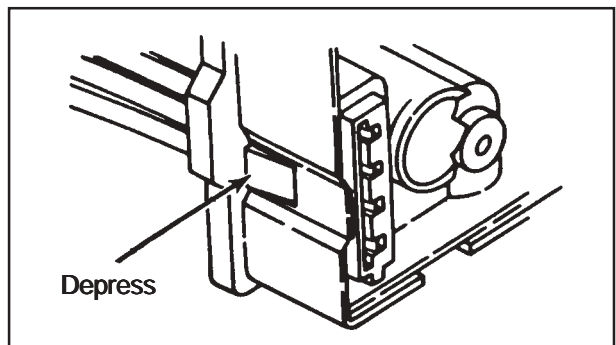
## Installation Procedure

1. Start with arm in "down" position.
2. Follow steps 1, 2, and 3.



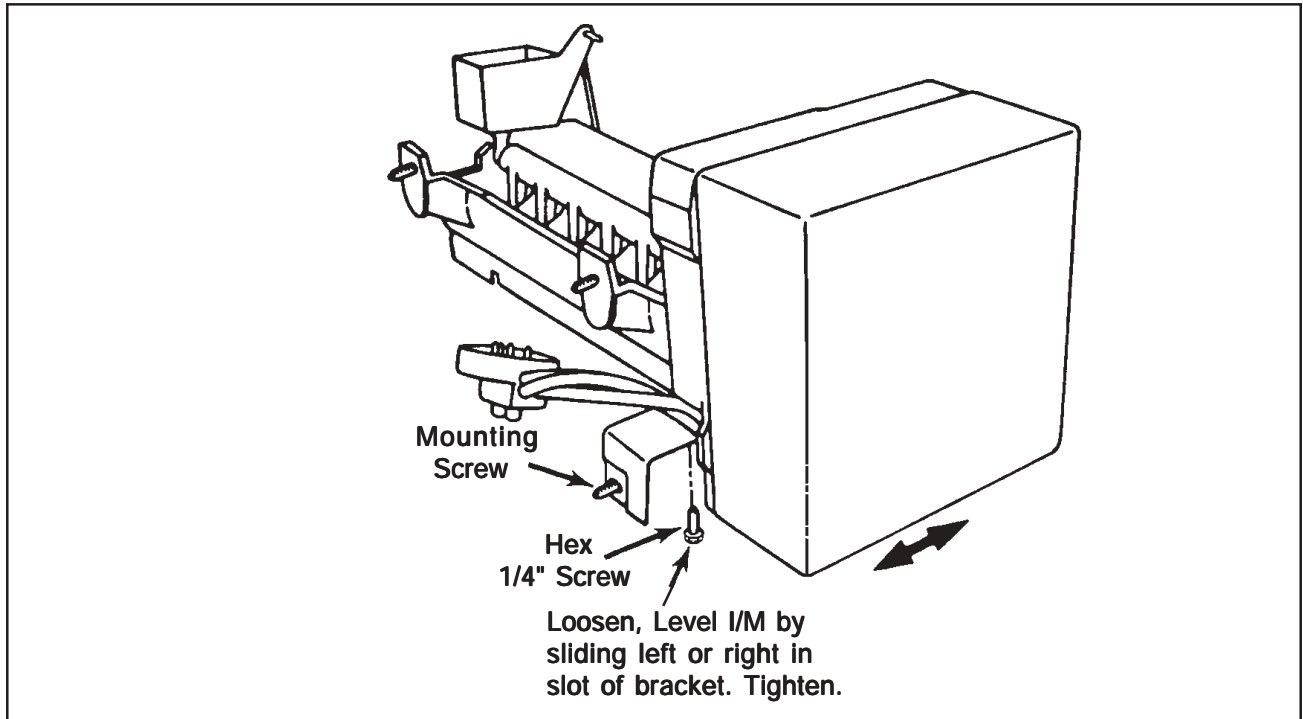
## HARNESS

To remove the wiring harness, depress the retaining tab and pull the plug free.



## LEVELING ICE MAKER

*(Ensures uniform ice crescents)*

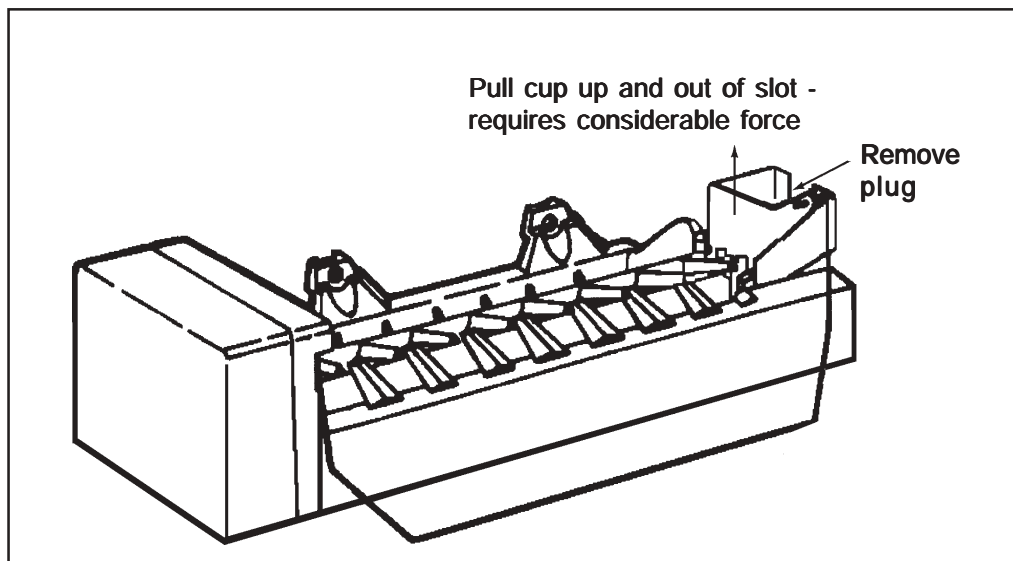


Make sure the refrigerator is level front to back (adjust legs or rollers).

## REMOVING & REPLACING FILL CUP

To remove fill cup, you must separate mold and blade from module housing. Remove blade from fill cup.

The appropriate break-out plug needs to be removed from the fill cup for your model. Check old ice maker.



## OTHER INFORMATION

- Motor connectors can be damaged if leads are removed.
- The motor is available only as part of the complete module assembly.
- One revolution of the blade takes three minutes (plus stall time on ice).
- Bench test cord can be made from cabinet socket.
- Tan and white wires on socket plug are water valve leads.

SPECIFICATIONS	
<b>Mold Heater</b>	<b>185 watts, 72 ohms</b>
<b>Thermostat (Bimetal)</b>	<b>Close 17° (+ / -) 3° Open 32° (+ / -) 3°</b>
<b>Water Fill</b>	<b>140cc, 7.5 seconds</b>
<b>Motor</b>	<b>1.5 watts, 8,450 ohms</b>
<b>Module</b>	<b>Stamped circuit, Plug-in connectors</b>
<b>Cycle</b>	<b>One revolution (ejects and water fill)</b>



# DISCONNECT THE UNIT FROM THE POWER SOURCE

CONDITION	POSSIBLE CAUSE	CORRECTION
<p>Unit runs excessively or continuously.</p>	<ul style="list-style-type: none"> <li>• Complete or possible partial restriction under high ambient (cycles on overload protector after unit stops and tries to restart).</li> <li>• Check to ensure light does not stay on continuously.</li> <li>• Dirty or restricted condenser, due to particularly greasy, dusty, or significant pet traffic in the home</li> <li>• Defective cold control.</li> <li>• Condenser fan not running.</li> </ul>	<ul style="list-style-type: none"> <li>• See "Checking Operating Pressure".</li> <li>• Check light switch and replace if needed. Check door adjustment.</li> <li>• Advise customer that it may require cleaning periodically in this environment.</li> <li>• Repair or replace.</li> <li>• Repair or replace.</li> </ul>
<p>Unit does not run for period of time after defrost.</p>	<ul style="list-style-type: none"> <li>• Defrost timer is defective (does not advance - advance to cool cycle).</li> </ul>	<p>-- Replace.</p>
<p>Unit runs continuously but there is no cooling in refrigerator and freezer compartments.</p>	<ul style="list-style-type: none"> <li>• Substantial loss of sealed system charge (low wattage readings).</li> <li>• Restricted capillary or drier on high side (low wattage readings while running). Will cycle on overload when unit tries to start after defrost cycle, or after having been shut-off and restriction is still present.</li> <li>• Defective compressor.</li> </ul>	<ul style="list-style-type: none"> <li>• Locate and repair leak before recharging.</li> <li>• Replace defective part or parts.</li> <li>• Repair or replace.</li> </ul>
<p>Unit runs continuously. The refrigerator and freezer compartment are both too cold (normal wattage reading).</p>	<ul style="list-style-type: none"> <li>• Temperature control is defective (short contacts or not adjusted).</li> <li>• Freezer control not adjusted properly.</li> </ul>	<ul style="list-style-type: none"> <li>• Replace or adjust as required.</li> <li>• See "Freezer Cold Control" for proper adjustment.</li> </ul>
<p>Unit runs continuously. The refrigerator compartment not cold enough, but freezer compartment is colder than normal.</p>	<ul style="list-style-type: none"> <li>• Air duct from freezer to refrigerator is blocked (normal wattage reading).</li> </ul>	<ul style="list-style-type: none"> <li>• Remove what is blocking the air duct. See "Air Flow Diagram".</li> </ul>
<p>Unit runs excessively or continuously. The refrigerator and freezer compartments are cooling, but are not cold enough.</p>	<ul style="list-style-type: none"> <li>• Freezer fan.</li> </ul> <p>-- Defective fan motor.</p>	<ul style="list-style-type: none"> <li>• See below:</li> </ul> <p>-- Replace.</p>



# DISCONNECT THE UNIT FROM THE POWER SOURCE

CONDITION	POSSIBLE CAUSE	CORRECTION
<p>Unit runs excessively. Refrigerator compartment eventually gets cold enough, but freezer compartment is too cold.</p>	<ul style="list-style-type: none"> <li>-- AC circuit to fan open (lower wattage readings).</li> <li>• Not defrosting (lower wattage readings than normal and frost buildup or evaporator).</li> <li>-- Defective defrost timer, defrost heater or defrost terminal thermostat.</li> <li>-- AC circuit to defrost system open.</li> <li>• Temperature control.</li> <li>• High setting of temperature control may result in these conditions under very severe environmental and usage conditions (high humidity and large number of freezer and refrigerator door openings).</li> <li>• Sealed system.</li> <li>-- Overcharge (high wattage readings).</li> <li>-- Undercharged (low wattage readings).</li> <li>-- Partial restriction.</li> <li>• Compressor motor defective. Inefficient compressor (low wattage readings).</li> <li>• Condenser fan.</li> <li>-- AC circuit to fan open (high wattage reading).</li> <li>-- Defective fan (high wattage reading).</li> <li>• Dirty or restricted condenser due to particularly greasy, dusty or significant pet traffic in the home.</li> <li>• Too much warm food placed in refrigerator at one time.</li> <li>• Air (no leak) in sealed system.</li> <li>• Partial restriction in air duct from freezer to refrigerator.</li> <li>• Freezer cold control setting too cold.</li> </ul>	<ul style="list-style-type: none"> <li>-- Refer to wiring diagrams and check circuit.</li> <li>• See below:</li> <li>-- Replace defective part or parts.</li> <li>-- Refer to wiring diagrams and check circuit.</li> <li>• See below:</li> <li>• Check and adjust for proper setting.</li> <li>• See below:</li> <li>-- Evacuate and recharge with proper amount of refrigerant.</li> <li>-- Check and see "Checking Operating Pressure".</li> <li>-- Check and see "Checking Operating Pressure".</li> <li>• Replace.</li> <li>• See below:</li> <li>-- Refer to wiring diagrams and check circuit.</li> <li>-- Replace.</li> <li>• Advise customer that it may require cleaning periodically in this environment.</li> <li>• Advise customer.</li> <li>• Replace drier and evacuate system thoroughly, recharge with proper amount of refrigerant.</li> <li>• Check and remove what is causing the restriction. See "Air Flow Diagram".</li> <li>• Adjust control for proper adjustment, see "Freezer Cold Control."</li> </ul>

# DISCONNECT THE UNIT FROM THE POWER SOURCE

CONDITION	POSSIBLE CAUSE	CORRECTION
<p>Unit runs excessively. The refrigerator compartment and freezer compartment both too cold (normal wattage readings).</p> <p>Unit runs excessively, but temperature appears to be normal in refrigerator.</p> <p>Short running cycle. Refrigerator and freezer compartments are cooling, but are not cold enough.</p>	<ul style="list-style-type: none"> <li>• High usage of refrigerator especially in high ambient.</li> <li>• Setting of temperature control too high for prevailing environmental and usage conditions.</li> <li>• Defective temperature control.</li> <li>• Door seals may be leaking</li> <li>• Problem is one of customer usage and education with severe environmental conditions after confirmation by a temperature recording. Frequent door openings.</li> <li>• Light may stay on constantly in refrigerator.</li> <li>• Inefficient compressor.</li> <li>• Temperature control.</li> <li>-- Defective control (normal wattage readings).</li> <li>-- Improper setting of temperature control for prevailing environmental and usage conditions.</li> <li>• Air circulation.</li> <li>-- Ventilation around condenser is blocked.</li> <li>-- Condenser fan is defective.</li> <li>-- Dirty or restricted condenser due to particularly greasy, dusty, or significant pet traffic in the home.</li> <li>-- AC circuit to condenser fan is defective (high wattage readings, unit may be cycling on the overload protector)</li> <li>• Compressor motor defective (high wattage readings. Unit may be cycling on the overload protector).</li> </ul>	<ul style="list-style-type: none"> <li>• Advise customer.</li> <li>• Reset control.</li> <li>• Replace.</li> <li>• Adjust door or replace door gasket.</li> <li>• Advise customer.</li> <li>• Check light switch and replace if needed. Check door adjustment.</li> <li>• Replace.</li> <li>• See below:</li> <li>• Replace.</li> <li>• Reset control.</li> <li>• See below:</li> <li>-- Check and advise customer.</li> <li>-- Replace.</li> <li>-- Advise customer that it may require cleaning periodically in this environment.</li> <li>-- Refer to wiring diagrams and check circuit.</li> <li>• Replace.</li> <li>-- Replace</li> </ul>





## SECTION 6. SPECIFICATIONS

### 21' Dispenser/Non Dispenser

<b>Power Requirement</b>	115 VAC 60 HZ
<b>Operating Amps (Max.)</b>	7.2
<b>Refrigerant Charge R134A (oz.)</b>	4.25 oz
<b>Compressor Oil Charge (oz.)</b>	250cc
<b>Compressor (BTU/hr.)</b>	1007 (Matsushita)
<b>Cabinet Liner</b>	High Impact Laminated Polystyrene
<b>Door Liners</b>	High Impact Laminated Polystyrene
<b>Cabinet &amp; Divider Insulation</b>	Foam
<b>Founatin Heater</b>	
<i>Ohms</i>	4810
<i>Watts</i>	2.75

<b>Temp Control</b>	<b>Normal Setting</b>
<i>Cut / Out (± 2 ° F)</i>	+34 ° F
<i>Cut / In (± 2 ° F)</i>	+6 ° F
<b>Condenser</b>	Fan Cooled
<b>Capillary Tube</b>	
<i>Length</i>	103 inches
<i>Diameter</i>	0.028 inches I.D.
<b>Defrost thermostat</b>	
<i>Cut / Out ( ±3 ° F)</i>	+38° F
<i>Cut / In ( ±11 ° F)</i>	+15°F
<b>Defrost Timer</b>	
<i>Defrost Cycle</i>	8 hrs.
<i>Defrost Time</i>	23 ± 3 Min.
<b>Defrost Heater</b>	
<i>Ohms</i>	26.5
<i>Watts</i>	500
<b>Defrost Amps. (Max.)</b>	4.3

### PERFORMANCE TEST DATA

The laboratory test data in this chart was obtained under the following conditions: **(1)** power source of 115V AC, 60 Hz, **(2)** no door openings, **(3)** no load, **(4)** customer control(s) set at mid-point. The pressures and wattages shown were taken: **(a)** during a normal running cycle, **(b)** with freezer temperature near 0° F (refrigerator temperature, if applicable, near +37° F). **(c)** no sooner than 5 minutes after compressor start-up. In the home, measurements will vary depending upon environmental and usage conditions.

	<b>70° F (Ambient)</b>	<b>90° F (Ambient)</b>	<b>110° F (Ambient)</b>
<b>% Operating Timer</b>	25-35	45-55	70-80
<b>KWH/24 Hours</b>	1.10/1.40	1.75/2.40	2.85/3.65
<b>Suction Pressure (psig)</b>	-3" Hg/0	-2" Hg/2	-1" Hg/5
<b>High Side Pressure (psig)</b>	100/130	150-180	190-210
<b>Running Watts</b>	145-165	150-170	155-185

## 23'/25' Dispenser/23' Non Dispenser

<b>Power Requirement</b>	115 VAC 60 HZ
<b>Operating Amps (Max.)</b>	7.2
<b>Refrigerant Charge R134A (oz.)</b>	4.50 oz
<b>Compressor Oil Charge (oz.)</b>	250cc
<b>Compressor (BTU/hr.)</b>	1007 (Matsushita)
<b>Cabinet Liner</b>	High Impact Laminated Polystyrene
<b>Door Liners</b>	High Impact Laminated Polystyrene
<b>Cabinet &amp; Divider Insulation</b>	Foam
<b>Fountain Heater</b>	
<i>Ohms</i>	4810
<i>Watts</i>	2.75

<b>Temp Control</b>	<b>Normal Setting</b>
<i>Cut / Out (<math>\pm 2^{\circ} F</math>)</i>	+37° F
<i>Cut / In (<math>\pm 2^{\circ} F</math>)</i>	+9° F
<b>Condenser</b>	Fan Cooled
<b>Capillary Tube</b>	
<i>Length</i>	103 inches
<i>Diameter</i>	0.028inches I.D.
<b>Defrost thermostat</b>	
<i>Cut / Out (<math>\pm 3^{\circ} F</math>)</i>	+43° F
<i>Cut / In (<math>\pm 11^{\circ} F</math>)</i>	+15° F
<b>Defrost Timer</b>	
<i>Defrost Cycle</i>	8 hrs.
<i>Defrost Time</i>	23 $\pm$ 3 Min.
<b>Defrost Heater</b>	
<i>Ohms</i>	24.0
<i>Watts</i>	550
<b>Defrost Amps. (Max.)</b>	4.8

### PERFORMANCE TEST DATA

The laboratory test data in this chart was obtained under the following conditions: **(1)** power source of 115V AC, 60 Hz. **(2)** no door openings, **(3)** no load, **(4)** customer control(s) set at mid-point, The pressures and wattages shown were taken: **(a)** during a normal running cycle, **(b)** with freezer temperature near 0°F (refrigerator temperature, if applicable, near +37° F), **(c)** no sooner than 5 minutes after compressor start-up. In the home, measurements will vary depending upon environmental and usage conditions.

	<b>70° F (Ambient)</b>	<b>90° F (Ambient)</b>	<b>110° F (Ambient)</b>
<b>% Operating Time</b>	25 - 35	45 - 55	70 - 80
<b>KWH/24 Hours</b>	1.15 / 1.70	2.00 / 2.75	3.30 / 4.20
<b>Suction Pressure (psig)</b>	-3" Hg / 0	-2" Hg / 2	-1" Hg / 5
<b>High Side Pressure (psig)</b>	100 -130	150 -180	190 / 210
<b>Running Watts</b>	145 -165	150 -170	155 - 185

## 21' Non Dispenser (Maytag)

<b>Power Requirement</b>	115 VAC 60 HZ
<b>Operating Amps (Max.)</b>	7.2
<b>Refrigerant Charge R134A (oz.)</b>	4.25
<b>Compressor Oil Charge (oz.)</b>	350 cc
<b>Compressor (BTU/hr.)</b>	950 (Embraco)
<b>Cabinet Liner</b>	High Impact Laminated Polystyrene
<b>Door Liners</b>	High Impact Laminated Polystyrene
<b>Cabinet &amp; Divider Insulation</b>	Foam
<b>Fountain Heater</b> <i>Ohms</i> <i>Watts</i>	NA NA

<b>Temp Control</b> <i>Cut / Out (<math>\pm 2^{\circ} F</math>)</i> <i>Cut / In (<math>\pm 2^{\circ} F</math>)</i>	<b>Normal Setting</b> -10° F +22° F
<b>Condenser</b>	Fan Cooled
<b>Capillary Tube</b>	
<i>Length</i> <i>Diameter</i>	103 inches 0.028 inches I.D.
<b>Defrost thermostat</b> <i>Cut / Out (<math>\pm 3^{\circ} F</math>)</i> <i>Cut / In (<math>\pm 11^{\circ} F</math>)</i>	+43° F +15° F
<b>Defrost Timer</b> <i>Defrost Cycle</i> <i>Defrost Time</i>	8 hrs. 23± 3 Min.
<b>Defrost Heater</b> <i>Ohms</i> <i>Watts</i>	26.5 500
<b>Defrost Amps. (Max.)</b>	4.3

### PERFORMANCE TEST DATA

The laboratory test data in this chart was obtained under the following conditions: **(1)** power source of 115V AC, 60 Hz. **(2)** no door openings, **(3)** no load, **(4)** customer control(s) set at mid-point, The pressures and wattages shown were taken: **(a)** during a normal running cycle, **(b)** with freezer temperature near 0° F (refrigerator temperature, if applicable, near +37° F), **(c)** no sooner than 5 minutes after compressor start-up. In the home, measurements will vary depending upon environmental and usage conditions.

	<b>70° F (Ambient)</b>	<b>90° F (Ambient)</b>	<b>110° F (Ambient)</b>
<b>% Operating Time</b>	25-35	45-55	70-80
<b>KWH/24 Hours</b>	1.10/1.40	1.75/2.50	2.85/3.65
<b>Suction Pressure (psig)</b>	-3" Hg/0	-2" Hg/2	-1" Hg/5
<b>High Side Pressure (psig)</b>	100/130	150/180	190/210
<b>Running Watts</b>	145-165	150-170	155-185

## 23'/25' Dispenser/Non Dispenser (Maytag)

Power Requirement	115 VAC 60 HZ
Operating Amps (Max.)	7.2
Refrigerant Charge R134A (oz.)	4.50
Compressor Oil Charge (oz.)	350cc
Compressor (BTU/hr.)	950 (Embraco)
Cabinet Liner	High Impact Laminated Polystyrene
Door Liners	High Impact Laminated Polystyrene
Cabinet & Divider Insulation	Foam
Fountain Heater	
<i>Ohms</i>	4810
<i>Watts</i>	2.75

<b>Temp. Control</b>	<b>Normal Setting</b>
<i>Cut / Out (<math>\pm 2^{\circ} F</math>)</i>	-10° F
<i>Cut / In (<math>\pm 2^{\circ} F</math>)</i>	+22° F
<b>Condenser</b>	Fan Cooled
<b>Capillary Tube</b>	
<i>Length</i>	103 inches
<i>Diameter</i>	0.028 inches I.D.
<b>Defrost thermostat</b>	
<i>Cut / Out (<math>\pm 3^{\circ} F</math>)</i>	+43° F
<i>Cut / In (<math>\pm 11^{\circ} F</math>)</i>	+15° F
<b>Defrost Timer</b>	
<i>Defrost Cycle</i>	8 hrs.
<i>Defrost Time</i>	23 $\pm$ 3 Min.
<b>Defrost Heater</b>	
<i>Ohms</i>	24
<i>Watts</i>	550
<b>Defrost Amps. (Max.)</b>	4.8

### PERFORMANCE TEST DATA

The laboratory test data in this chart was obtained under the following conditions: **(1)** power source of 115V AC, 60 Hz. **(2)** no door openings, **(3)** no load, **(4)** customer control(s) set at mid-point, The pressures and wattages shown were taken: **(a)** during a normal running cycle, **(b)** with freezer temperature near 0° F (refrigerator temperature, if applicable, near +37° F), **(c)** no sooner than 5 minutes after compressor start-up. In the home, measurements will vary depending upon environmental and usage conditions.

	70° F (Ambient)	90° F (Ambient)	110° F (Ambient)
% Operating Time	25 - 35	45 - 55	70 - 80
KWH/24 Hour	1.15 / 1.70	2.00 / 2.75	3.04 / 4.20
Suction Pressure (psig)	-3" Hg / 0	-2" Hg / 2	-1" Hg / 5
High Side Pressure (psig)	100 / 130	150 / 180	190 / 210
Running Watts	145 - 165	150 - 170	155 - 185



## 23'/25' Dispenser/23' Non Dispenser (Maytag Premium)

<b>Power Requirement</b>	115 VAC 60 HZ
<b>Operating Amps (Max.)</b>	7.2
<b>Refrigerant Charge R134A (oz.)</b>	4.50
<b>Compressor Oil Charge (oz.)</b>	350 cc
<b>Compressor (BTU/hr.)</b>	950 (Embraco)
<b>Cabinet Liner</b>	High Impact Laminated Polystyrene
<b>Door Liners</b>	High Impact Laminated Polystyrene
<b>Cabinet &amp; Divider Insulation</b>	Foam
<b>Fountain Heater</b>	
<i>Ohms</i>	4810
<i>Watts</i>	2.75

<b>Temp. Control</b>	Normal Setting
<i>Cut / Out (<math>\pm 2^\circ F</math>)</i>	-10° F
<i>Cut / In (<math>\pm 2^\circ F</math>)</i>	+22° F
<b>Condenser</b>	Fan Cooled
<b>Capillary Tube</b>	
<i>Length</i>	103 inches
<i>Diameter</i>	0.028inches I.D.
<b>Defrost thermostat</b>	
<i>Cut / Out (<math>\pm 3^\circ F</math>)</i>	+43° F
<i>Cut / In (<math>\pm 11^\circ F</math>)</i>	+15° F
<b>Defrost Timer Cycle</b>	<b>Adaptive Defrost</b>
<b>Defrost Heater</b>	
<i>Ohms</i>	24.0
<i>Watts</i>	550
<b>Defrost Amps. (Max.)</b>	5.2

### PERFORMANCE TEST DATA

The laboratory test data in this chart was obtained under the following conditions: **(1)** power source of 115V AC, 60 Hz. **(2)** no door openings, **(3)** no load, **(4)** customer control(s) set at mid-point, The pressures and wattages shown were taken: **(a)** during a normal running cycle, **(b)** with freezer temperature near 0° F (refrigerator temperature, if applicable, near +37° F), **(c)** no sooner than 5 minutes after compressor start-up. In the home, measurements will vary depending upon environmental and usage conditions.

	<b>70° F (Ambient)</b>	<b>90° F (Ambient)</b>	<b>110° F (Ambient)</b>
<b>% Operating Time</b>	25-35	45-55	70-80
<b>KWH/24 Hours</b>	1.15/1.70	2.00/2.75	3.40/4.20
<b>Suction Pressure (psig)</b>	-3" Hg/0	-2" Hg/2	-1" Hg/5
<b>High Side Pressure (psig)</b>	100/130	150/180	190/210
<b>Running Watts</b>	145-165	150-170	155-185



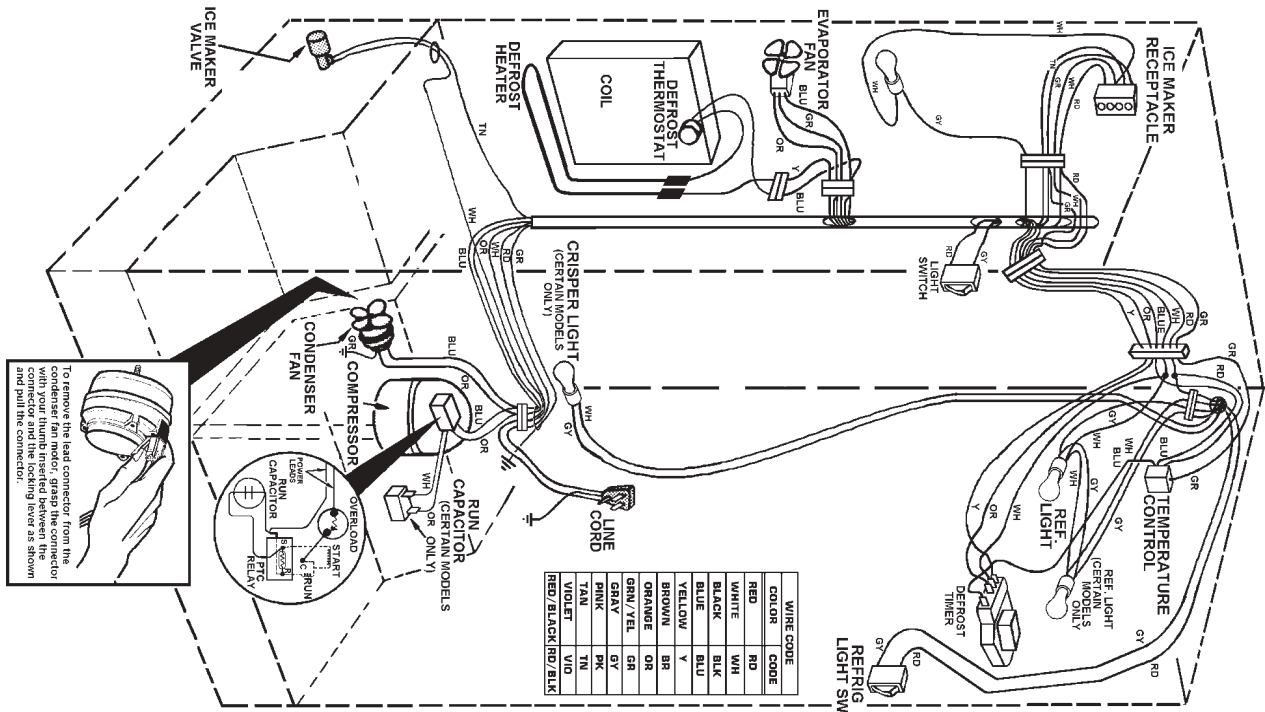
---

## SECTION 7. SCHEMATICS

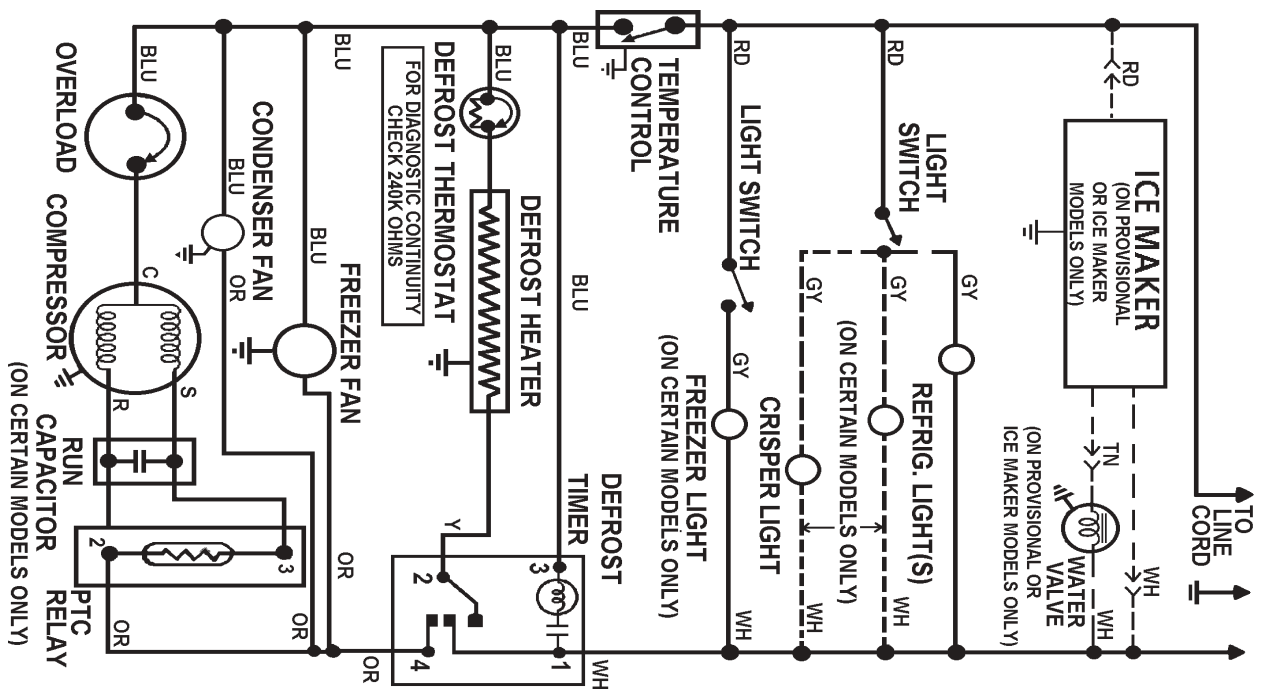
<b>DESCRIPTION</b>	<b>ID NO.</b>
FACTORY INSTALLED OR PROVISIONAL ICE MAKER MODELS	RWD-1
SLIDE SELECTOR FOUNTAIN MODELS	RWD-2
ALTERNATE VERSION OF SLIDE SELECTOR FOUNTAIN MODELS	RWD-3
ELECTRONIC FOUNTAIN, DEFROST TIMER MAYTAG & JENN-AIR MODELS	RWD-4
ELECTRONIC FOUNTAIN, ADAPTIVE DEFROST MAYTAG & JENN-AIR MODELS	RWD-5
REFRIGERANT FLOW	RD-1

DISCONNECT THE UNIT FROM THE POWER SOURCE

PICTORIAL WIRING DIAGRAM  
ALLOW 10 PERCENT TOLERANCE ON ALL RESISTANCES

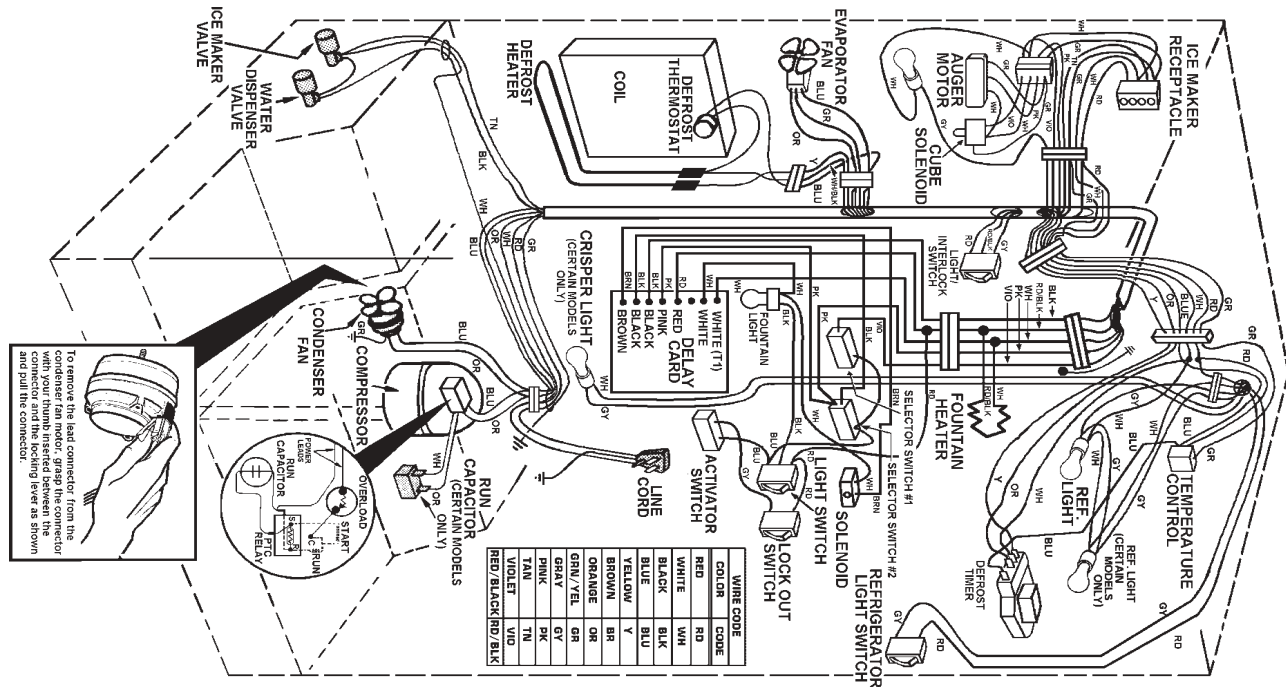


SCHEMATIC WIRING DIAGRAM

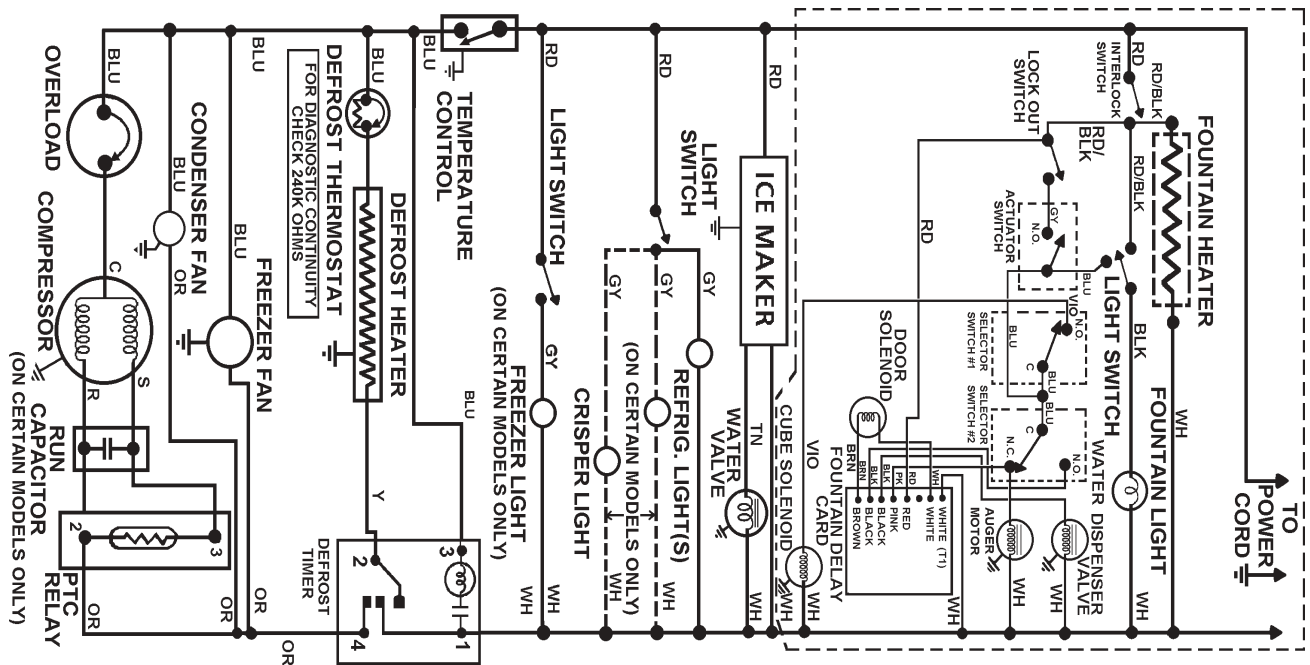


# SCHEMATIC - RWD2

## DISCONNECT THE UNIT FROM THE POWER SOURCE



PICTORIAL WIRING DIAGRAM  
ALLOW 10 PERCENT TOLERANCE ON ALL RESISTANCES

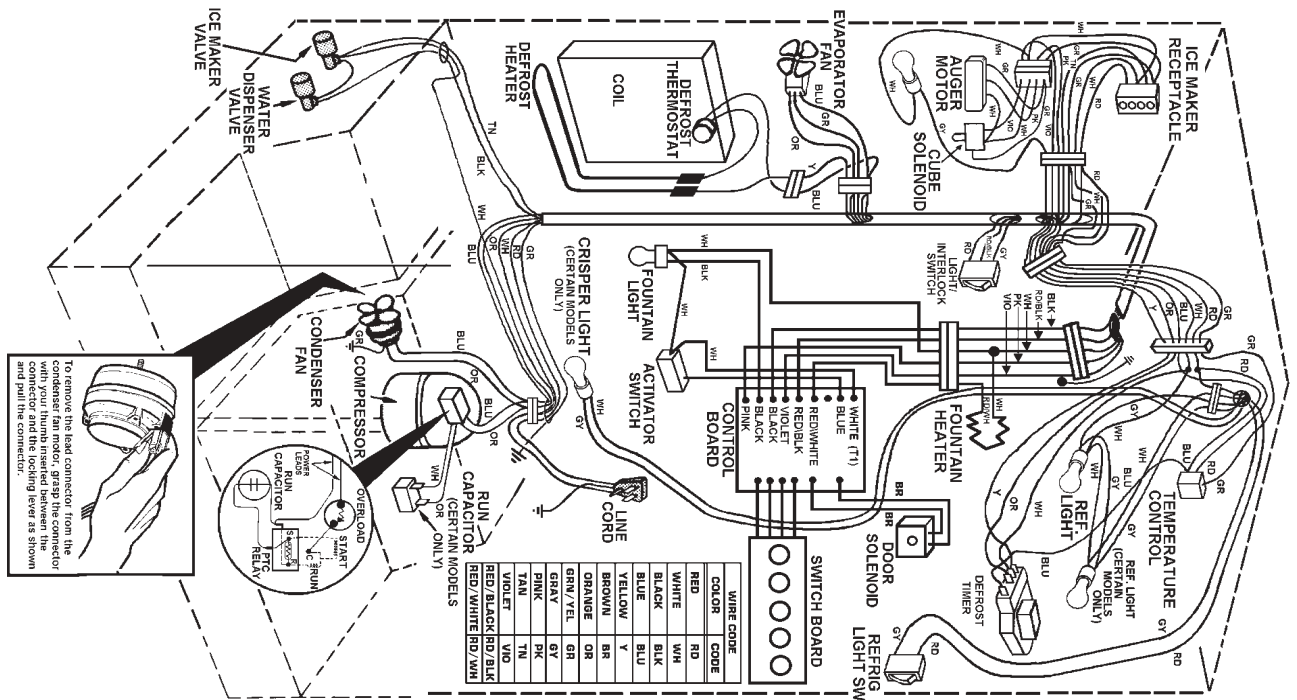


SCHEMATIC WIRING DIAGRAM

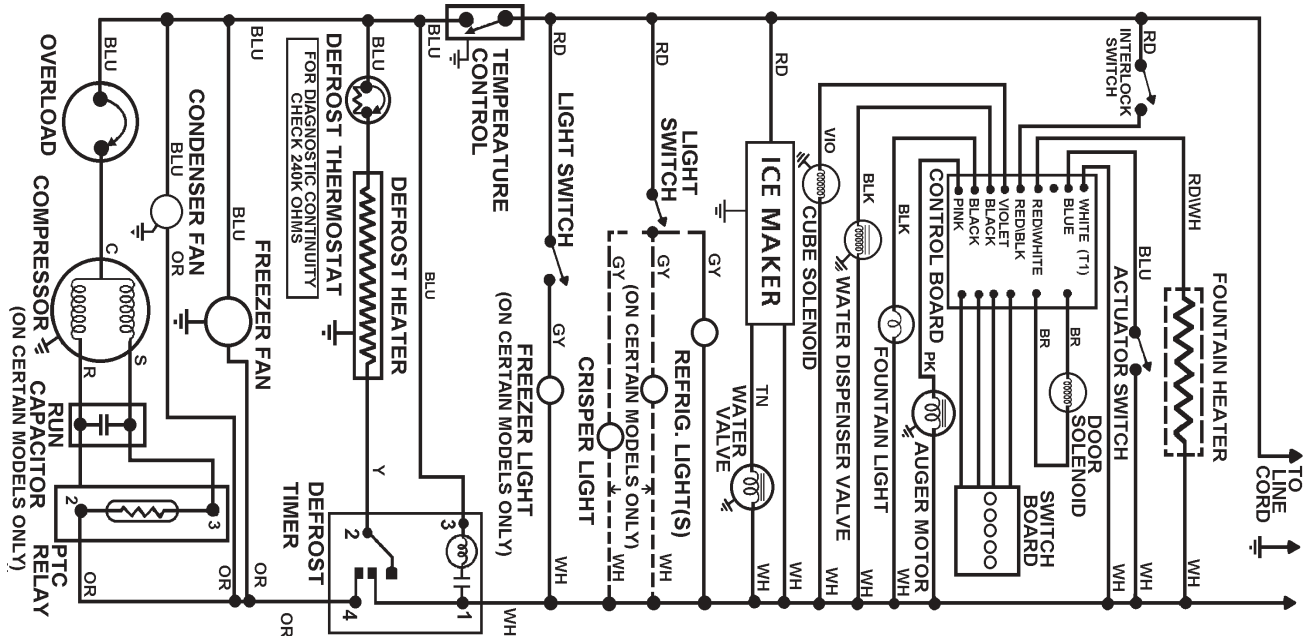


# SCHEMATIC - RWD4

## DISCONNECT THE UNIT FROM THE POWER SOURCE



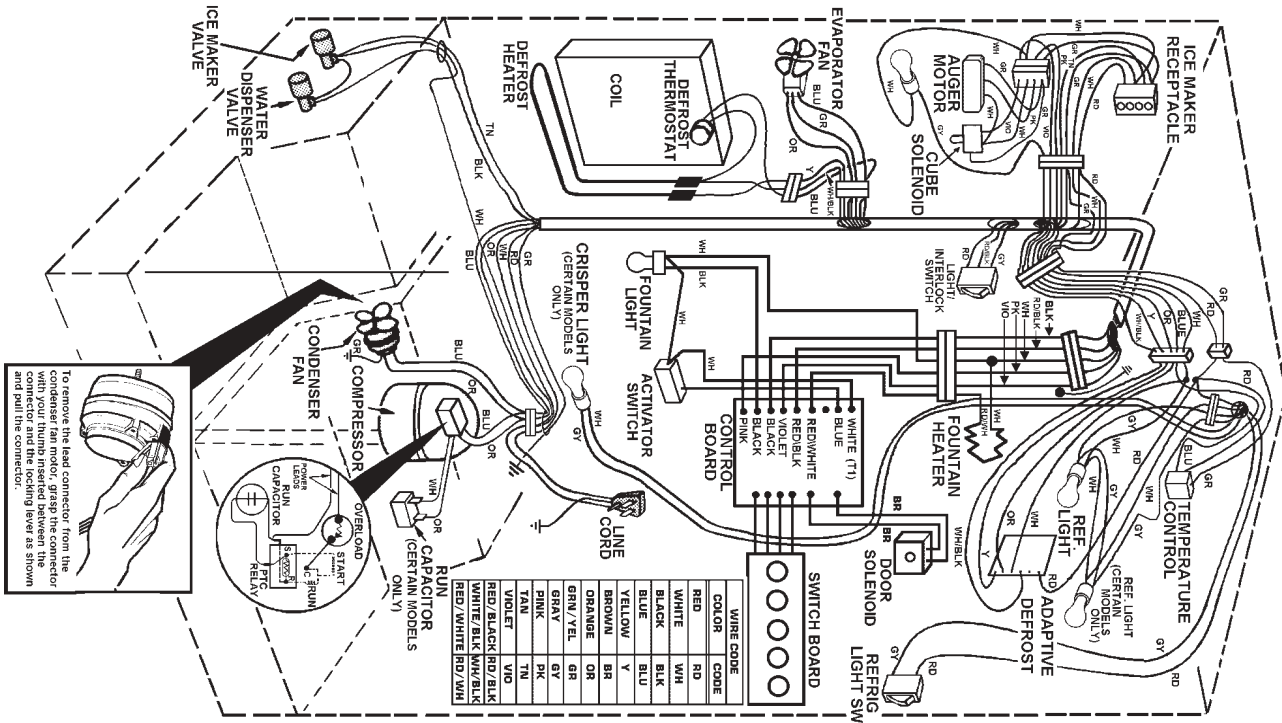
PICTORIAL WIRING DIAGRAM  
ALLOW 10 PERCENT TOLERANCE ON ALL RESISTANCES



SCHEMATIC WIRING DIAGRAM

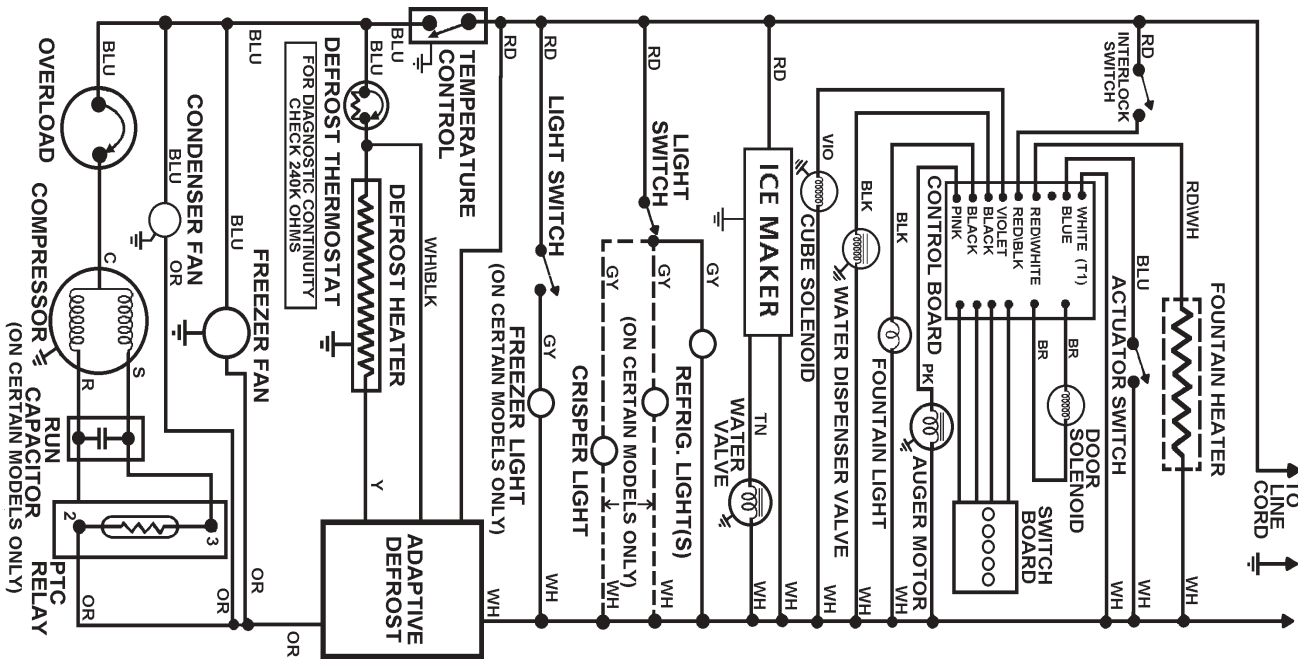
# DISCONNECT THE UNIT FROM THE POWER SOURCE

PICTORIAL WIRING DIAGRAM  
ALLOW 10 PERCENT TOLERANCE ON ALL RESISTANCES



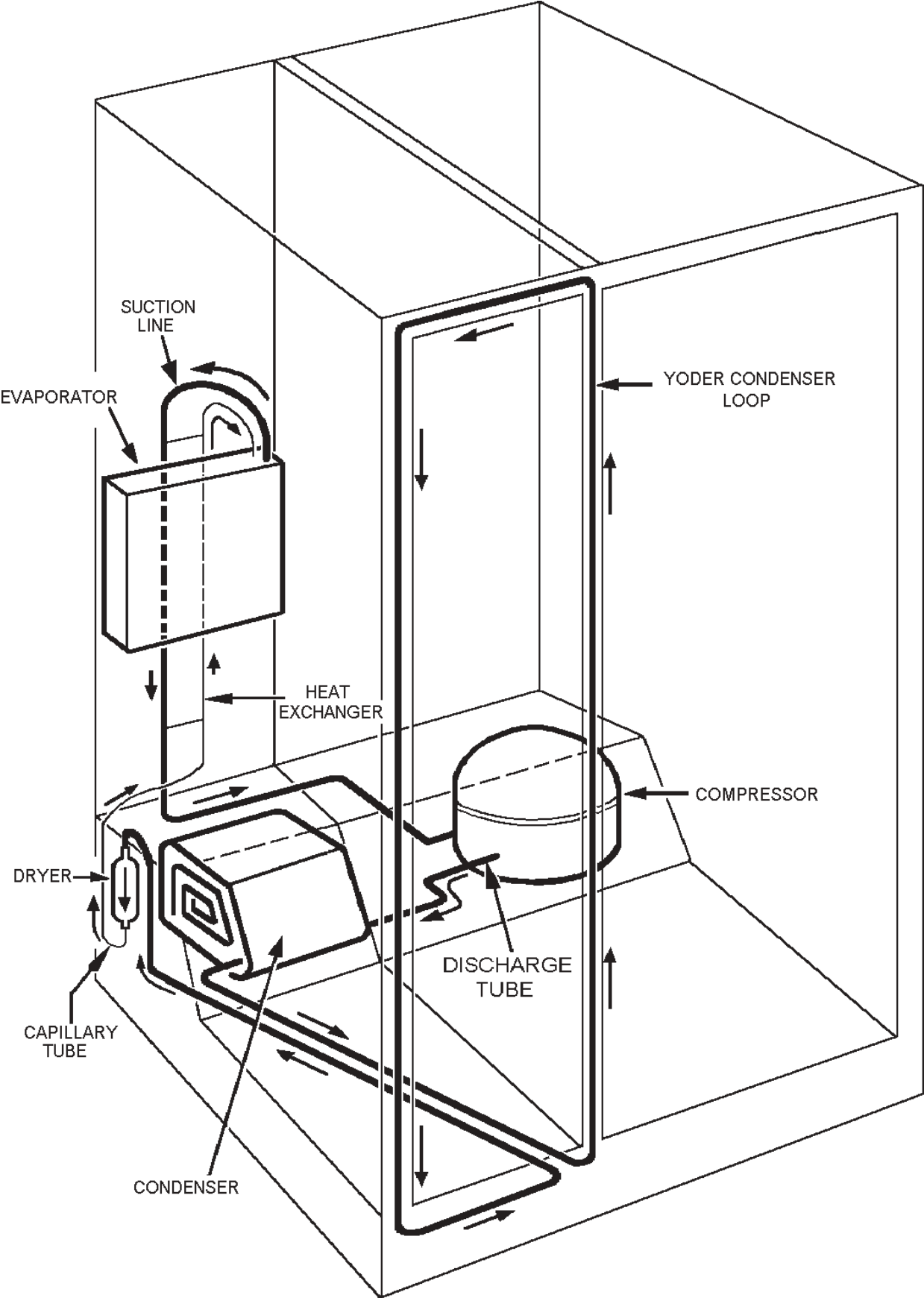
To remove the lead connector from the condenser fan motor, grasp the connector with your thumb inserted between the lead and the fan motor, and pull the connector.

SCHEMATIC WIRING DIAGRAM





REFRIGERANT FLOW - RD1





# Appendix A

---

# INTRODUCTION

This refrigeration service supplement provides the information necessary to service Side-by-Side model refrigerators.

The supplement is printed in loose leaf format. Each part of this supplement is divided into sections relating to a general group of components and each section is subdivided into various parts describing a particular component or service procedure.

The subdividing of the subject matter, plus the loose leaf form, will facilitate the updating of the supplement as new models, and new or revised components of service procedures are introduced.

Each page of this supplement will be identified in the lower right hand corner. As new or revised pages are published, it will be easy to keep the supplement up to date.

This service supplement is a valuable service tool and care should be taken to keep it up to date by prompt and proper filing of subsequent pages as they are issued.



---

# CONTENTS

<b>SECTION 1. GENERAL INFORMATION</b> .....	<b>1-1</b>
INSTRUCTIONS - ELECTRICAL REQUIREMENTS .....	1-1
IMPORTANT SAFETY PRECAUTIONS .....	1-1
GROUNDING INSTRUCTIONS .....	1-1
CLIMATE ZONE TECHNOLOGY (CZT) .....	1-2
CLIMATE ZONE TECHNOLOGY STORAGE DRAWERS (Select Models) .....	1-4
LIGHT BULB REPLACEMENT .....	1-5
Removal of the Drawer Assemblies for Cleaning .....	1-5
AUTOMATIC HUMIDITY CONTROL (Select Models) .....	1-6
WATER FILTER CHANGE REMINDER (Select Models) .....	1-6
<b>SECTION 2. COMPONENTS</b> .....	<b>2-1</b>
COMPONENT TESTING .....	2-1
CHECKING THE CZT FAN MOTOR .....	2-1
REMOVING THE CZT FAN MOTOR .....	2-2
CHECKING THE CZT DAMPER MOTOR/DOOR ASSEMBLY .....	2-3
REMOVING THE CZT DAMPER MOTOR/DOOR ASSEMBLY .....	2-4
CHECKING AND REPLACING THE THERMISTOR .....	2-5
TESTING AND REPLACING THE DRAWER SWITCH .....	2-6
REPLACING THE INNER ENCLOSURE ASSEMBLY .....	2-6
CHECKING AND REPLACING THE AUTO DAMPER BIAS HEATER .....	2-6
ICE MAKER WATER VALVE RELAY .....	2-7
ELECTRONIC CONTROL BOARD TROUBLESHOOTING .....	2-8
Some LED's Will Not Light .....	2-8
Fountain Light Will Not Light .....	2-8
Will Not Dispense Ice or Water .....	2-8
CHANGE FILTER LIGHT WILL NOT LIGHT .....	2-8
IN-CABINET FUNCTION TEST (ICFT) .....	2-9
CZT SERVICE ISSUES .....	2-11
CZT SERVICE ISSUES Display .....	2-12
CZT SERVICE ISSUES Food Preservation .....	2-13
CZT SERVICE ISSUES Noise .....	2-14
CZT SERVICE ISSUES CZT External Condensation/Icing .....	2-14
CZT SERVICE ISSUES Refrigerator Performance .....	2-15
CZT SERVICE ISSUES Usage Issues .....	2-16
<b>SECTION 3. SPECIFICATIONS</b> .....	<b>3-1</b>
27'/29' DISPENSER (CZT/WFR AND NOT CZT) .....	3-1
PERFORMANCE TEST DATA .....	3-1
<b>SECTION 4. SCHEMATICS</b> .....	<b>4-1</b>



---

## SECTION 1. GENERAL INFORMATION

---

### INSTRUCTIONS - ELECTRICAL REQUIREMENTS

It is the personal responsibility and obligation of the appliance owner to provide adequate electrical service for this appliance.

Observe all electrical and local codes and ordinances.

A 120 volt 60Hz, 15 ampere fused electrical supply is required. An individual branch (or separate circuit serving only this appliance) is recommended.

*Do not use an extension cord.*

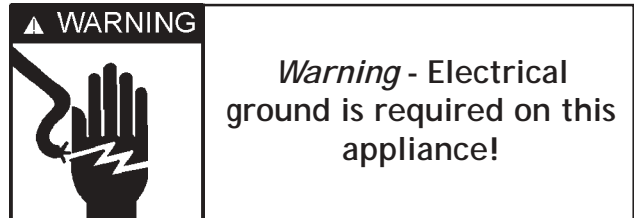
*Before plugging in power cord, operating or testing, follow grounding instructions in Grounding Section.*

Electrical Service  
Grounding: 120 VOLTS, 60Hz Only

---

### IMPORTANT SAFETY PRECAUTIONS

**WARNING:** *Personal Injury Hazard - To prevent unnecessary risk of fire, electrical shock or personal injury, all wiring and grounding must be done in accordance with National Electrical Code and local codes and ordinances.*

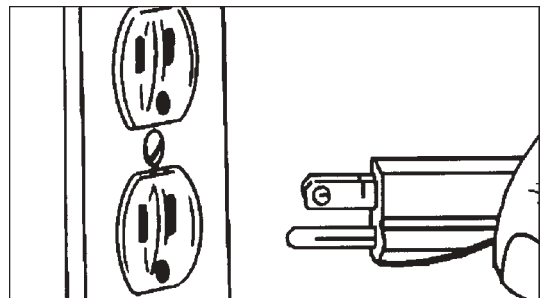
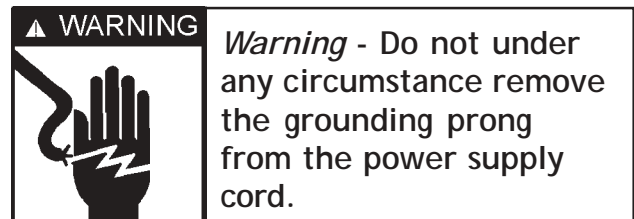


---

### GROUNDING INSTRUCTIONS

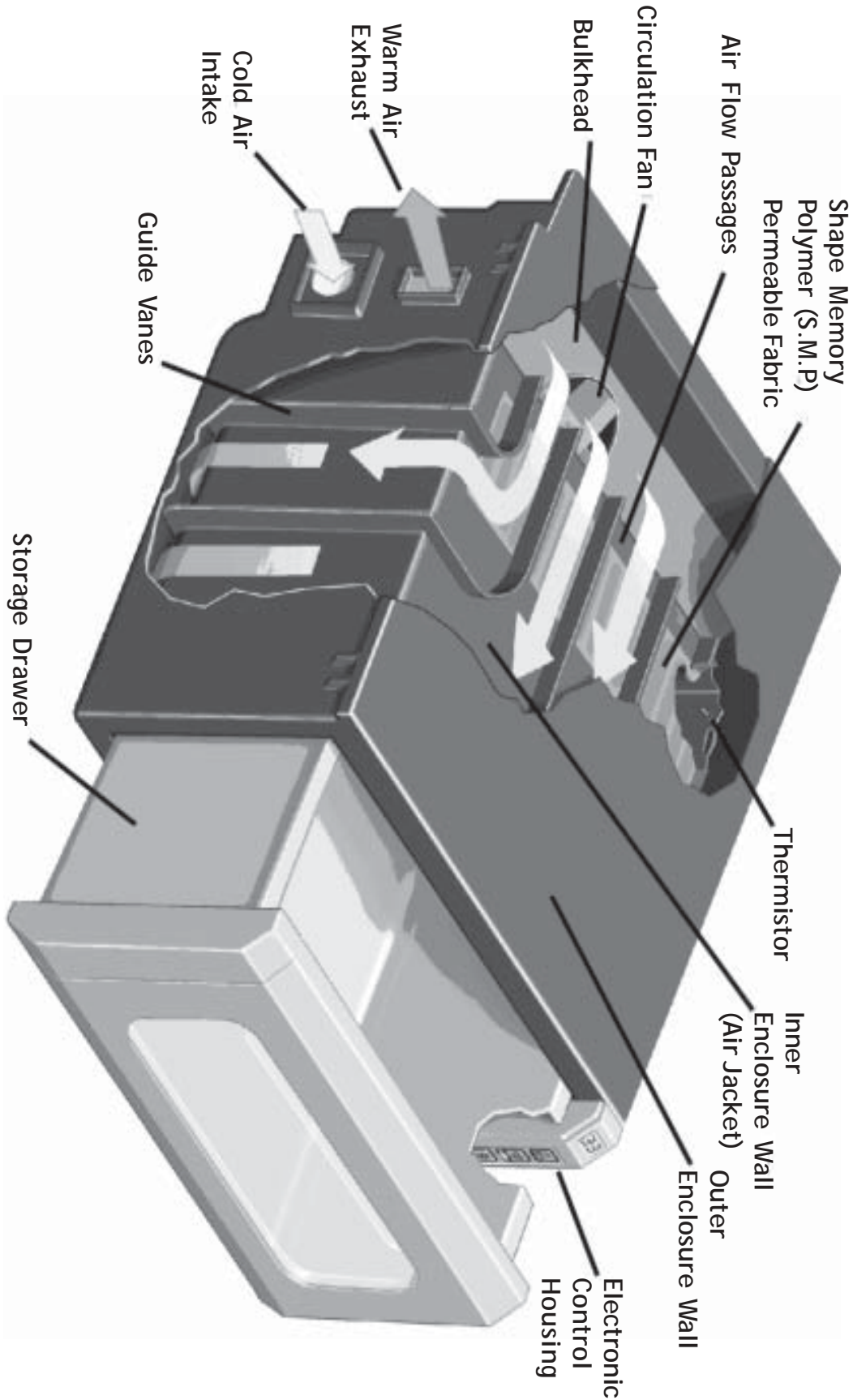
This appliance is equipped with a power supply cord having a 3-prong grounding plug. For your safety, this cord must be plugged into a mating 3-prong type wall receptacle which is *properly wired, grounded and polarized.*

If a mating wall receptacle is not available, contact a qualified electrician to have the wall receptacle replaced. *Do not use an AC adapter plug.* If there is any question, local building officials or electrical utility should be consulted.



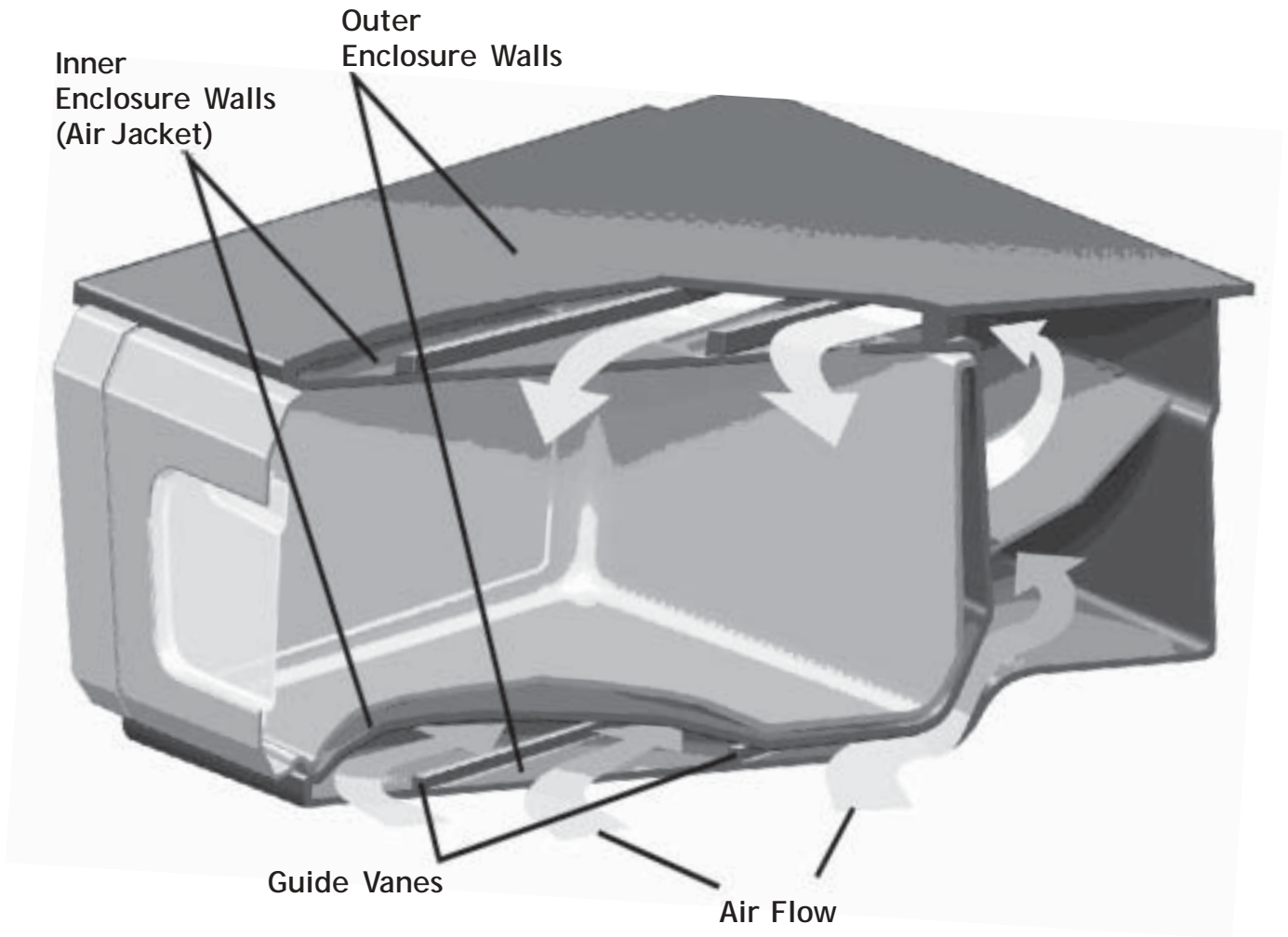


CLIMATE ZONE TECHNOLOGY (CZT)



---

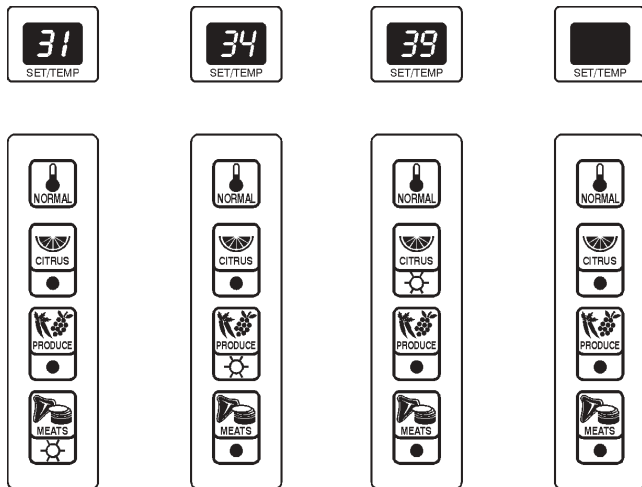
CLIMATE ZONE TECHNOLOGY (CZT)



**CLIMATE ZONE TECHNOLOGY™  
STORAGE DRAWERS  
(Select Models)**

Climate Zone Technology™ Storage Drawers prolong the freshness of meats, fruits and vegetables. The top drawer accommodates meats, citrus fruits and fresh produce. The middle drawer holds citrus fruits and fresh produce. Climate Zone Technology™ drawers are equipped with Automatic Humidity Control\*. The drawers are set to provide optimal temperatures and a numerical temperature display for each food setting according to the chart below.

Item	Storage Temperature
Citrus	39° F
Vegetables	34° F
Meats	31° F



Climate Zone Technology™ can also be turned off, and the drawers operate as standard sealed crisper drawers with no temperature display.

**Notes:**

- If a Climate Zone Technology™ drawer is left open the display will flash. Close the drawer completely and the display will return to normal.
- After prolonged drawer openings and /or loading the drawers, etc. the temperature readout may rise by a few degrees. This is normal. The temperature will recover in a short period of time.
- Handle fresh meat with care to avoid cross-contamination. Store meat in airtight containers and be sure to wipe up spills of meat juices immediately using hot, soapy water. Disinfect drawer with liquid chlorine bleach according to label directions and rinse with clean water.
- For enhanced flavor, store hard cheeses on the Citrus setting.
- Frozen meats will thaw very slowly on the Meat setting. Most thawing should be done outside of the drawers, on the lowest shelf in the refrigerator.
- Under heavy usage conditions during hot, humid weather, the exterior surfaces of the Climate Zone Technology™ drawers may fog or sweat. This is normal. The condensation will clear once the door is closed for a period of time.
- Due to the accuracy and the location of the Climate Zone Technology™ temperature sensor system, drawer temperatures measured with house hold refrigerator thermometers may vary from the drawer temperature display. This is normal.

- If Climate Zone Technology™ drawers are not opened for a period of four weeks, they will automatically go to the Normal or “off” state. The display will turn off.

**To remove:** Pull the drawer out until it stops. Tilt the drawer-front up and pull out. To replace the drawer, align the drawer in the tracks, lift the drawer-front and slide in.

---

## LIGHT BULB REPLACEMENT

A light bulb is located behind the upper Climate Zone Technology™ drawer assembly. The light bulb part number is 61004862 see your Maytag dealer for replacement or call 1-800-688-8408 to order direct.

***Warning: To prevent electric shock, always unplug the refrigerator before changing the light bulb. Wear gloves as protection against possible broken glass.***

**To remove the drawer assembly:** Unload and remove shelf located above the Climate Zone Technology™ drawers. Unload and remove the drawer. Remove two combination phillips, 1/4” hex head screws located on the left hand side. Lift the top drawer assembly upward (approx. 1 inch) and pull forward (approx. 3-4 inches). The assembly should rest on its shelf supports.

**Replace the bulb:** Unscrew bulb and replace. Caution: Handle the light bulb with care to prevent breakage. The bulb may be hot from use.

**To replace drawer assembly:** Lift the assembly back into its original position against the back stop. Make sure the assembly is pushed firmly to the left of the refrigerator cavity to align the screw holes. Replace the two screws. Replace the drawers into the assemblies and reconnect the power to the refrigerator.

---

## Removal of the Drawer Assemblies for Cleaning

Unload and remove the shelf above the Climate Zone Technology™ drawers. Unload and remove the drawers. Remove two combination phillips, 1/4” hex head screws located on the left side.

Lift the top drawer assembly upward (approx. 1 inch) and pull forward (approx. 3-4 inches). The assembly should rest on its shelf supports. Disconnect the power cords to free the assembly, then pull completely out. Repeat with second drawer assembly.

**To replace:** Lift the lower assembly back into its original position leaving enough space to reach the power cords. Reconnect the assembly power cords. Push the assembly in all the way to the back stop. Make sure the assembly is pushed firmly to the left of the refrigerator cavity to align the screw holes. Replace the two screws. Repeat with top assembly. Replace the drawers into the assemblies and reconnect the power source to the refrigerator.

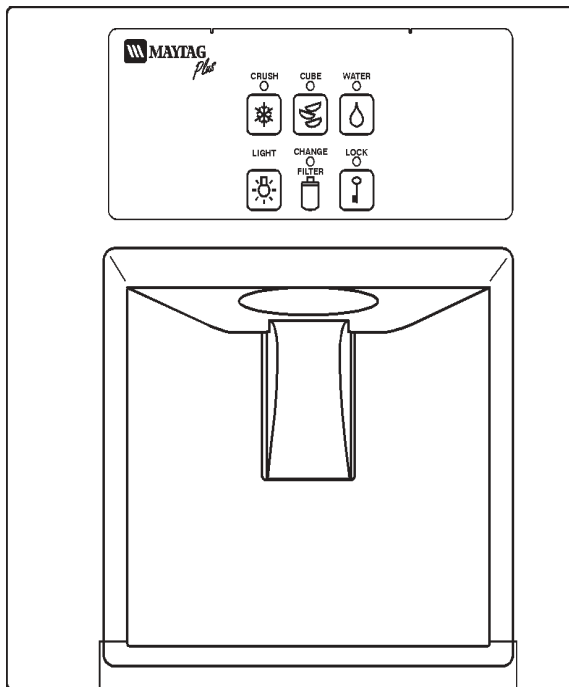
**Note: *Make sure wire harness is guided away from light bulb area. A clip is located on the back of the assembly to secure harness.***

---

## AUTOMATIC HUMIDITY CONTROL (Select Models)

Some crispers are equipped with an automatic humidity control system, eliminating the need for manual humidity slide controls on the drawer. A fabric-like material\* covers small air vents in the drawer cavity. This material controls the flow of moist air out of the crisper to provide the optimum environment for your food. If a food spill should occur on the air vent or mesh material, wipe with a clean, damp cloth.

\*Maytag Automatic Humidity Control system features a unique, patented material called Shape Memory Polymer (SMP) that when laminated to fabric becomes DIAPLEX. DIAPLEX is manufactured by Mitsubishi.



---

## WATER FILTER CHANGE REMINDER (Select Models)

For some refrigerator models featuring water filters, the Water Filter Change Reminder function monitors the life of the filter and provides a reminder when it is time for the filter to be changed.

When the system detects either 12 months of usage, or the filtering of 416 gallons of water (whichever comes first), the **CHANGE FILTER** indicator light will illuminate. This indicates that the water filter should be changed and the light reset.

**To reset CHANGE FILTER light:** Press and hold the LIGHT and LOCK pads until the CHANGE FILTER light blinks (approx. 3 seconds). The control is now reset for 12 months or another 416 gallons.

**Note:** *The Water Filter Reminder will operate if the filter bypass is in place.*

---

## SECTION 2. COMPONENTS

---

### COMPONENT TESTING

#### Test Cord

You will need to make up a test cord. Below is a list parts to make the cord:

1. 115 volt plug.
2. 16 gauge line cord (length three foot)
3. Two crimp splice connectors.
4. Two solid steel 18 gauge pins one inch long.

Assemble the test cord as shown below.

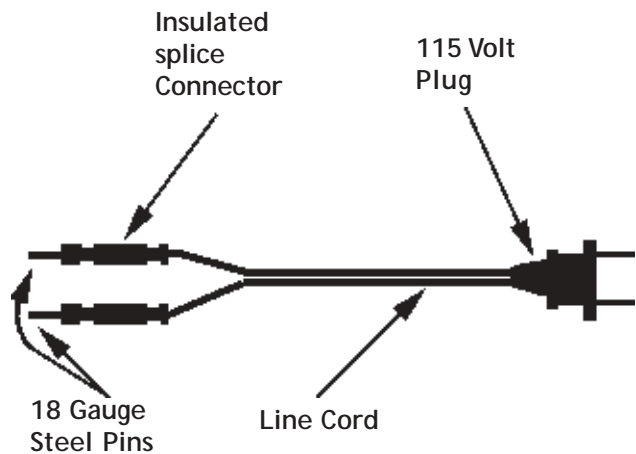


Figure 2-1

---

### CHECKING THE CZT FAN MOTOR

*Disconnect the unit from the power source*

1. Unload and remove shelf located above the Climate Zone Technology™ drawers.
2. Unload and remove the CZT drawers.
3. Remove two combination phillips, 1/4" hex head screws located on the left side.
4. Lift the top drawer assembly upward (approx. 1 inch) and pull forward (approx. 3-4 inches). The assembly should rest on its shelf supports.

5. Disconnect the power cords to free the assembly, then pull completely out. Repeat with second drawer assembly.
6. Remove two control housing mounting screws, *See Figure 2-2*. Remove the control housing.

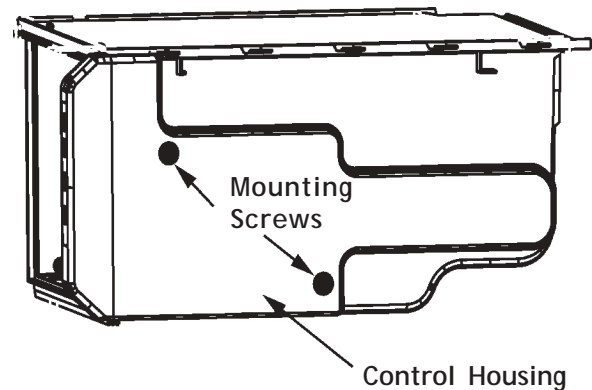


Figure 2-2

7. Disconnect the CZT, PC board connector from the PC board. See below.

*Note: The following test should be made by a qualified service Technician.*

8. Using the test cord shown in *Figure 2-1*, make the following connection to CZT PC board wire harness connector;
  - a\*. Insert one of the 18 gauge steel pins into terminal # 1 (white wire).
  - b\*. Insert the other steel pin into terminal # 11 (blue wire green tracer).

\* *See Figure 2-3 for connector terminal layout.*

9. Make sure every thing is clear. Plug the test cord into a 115 VAC outlet. The fan should run. If not, disconnect the test cord from the AC outlet. Using an ohmmeter check the wire leads to the fan motor for continuity. If they check ok, replace the fan motor.

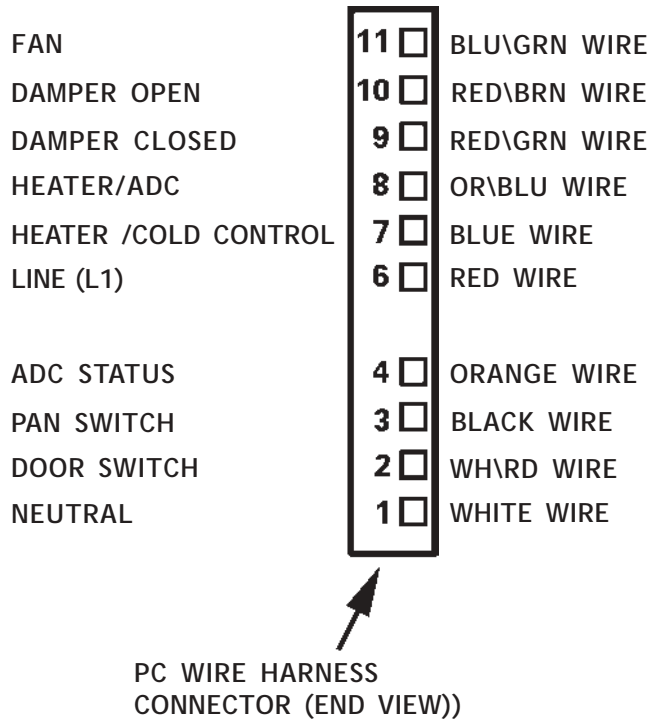


Figure 2-3

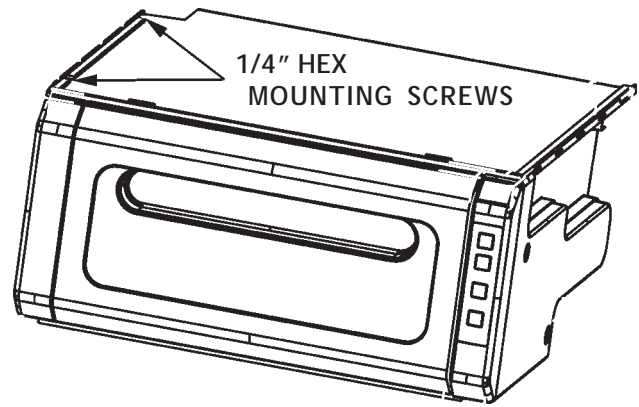


Figure 2-4

- Remove the control housing cover. Then remove the top cover mounting screw. (See Figure 2-5)

Repeat steps 2 thru 5 with second drawer assembly if you need to get to that fan motor or other componets.

### REMOVING THE CZT FAN MOTOR

The CZT fan motor circulates the cooled air around the air jacket. The fan runs continuously except, during defrost cycle, crisper drawer open condition or when the *normal* (off) button is pushed

*Disconnect the refrigerator from the power source.*

#### Removal of the Drawer Assemblies

- Unload and remove shelf located above the Climate Zone Technology™ drawers.
- Unload and remove the drawer.
- Remove two combination phillips, 1/4" hex head screws located on the left side. (See Figure 2-4)
- Lift the top drawer assembly upward (approx. 1 inch) and pull forward (approx. 3-4 inches). The assembly should rest on its shelf supports.
- Disconnect the power cords to free the assembly, then pull completely out.

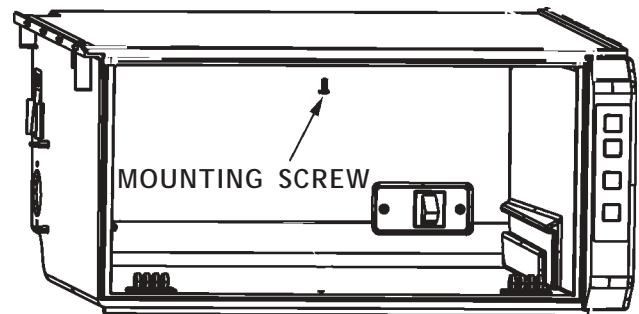


Figure 2-5

- Pull the top cover forward and then up to remove. (See Figure 2-6)

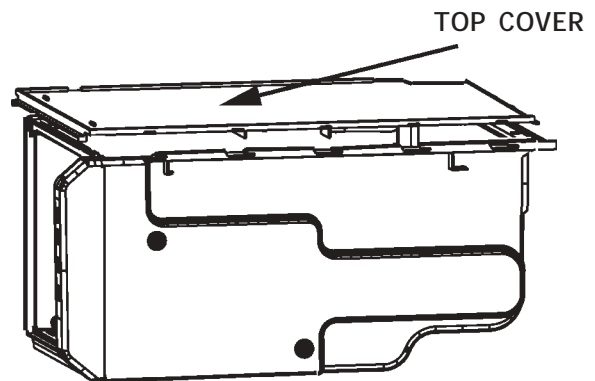


Figure 2-6

- Release the three locking tabs fan shroud by pushing back on the outer box assembly and pulling forward on the fan shroud. (See Figure 2-7)

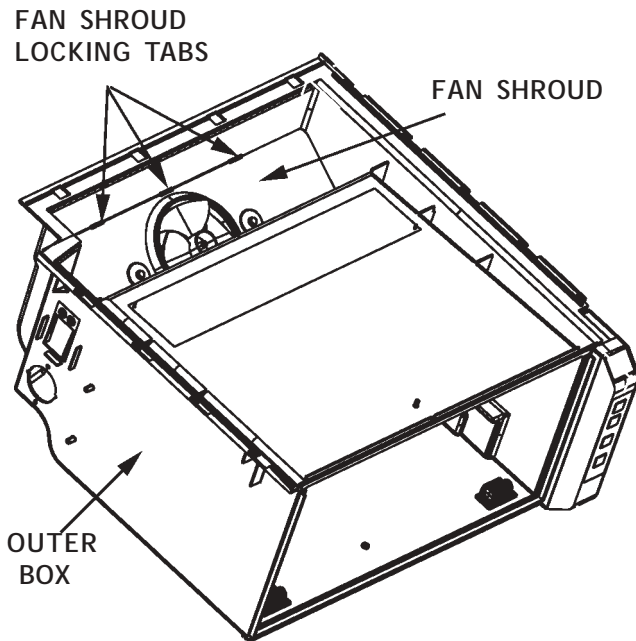


Figure 2-7

- Carefully remove the fan shroud assembly. (See Figure 2-8)

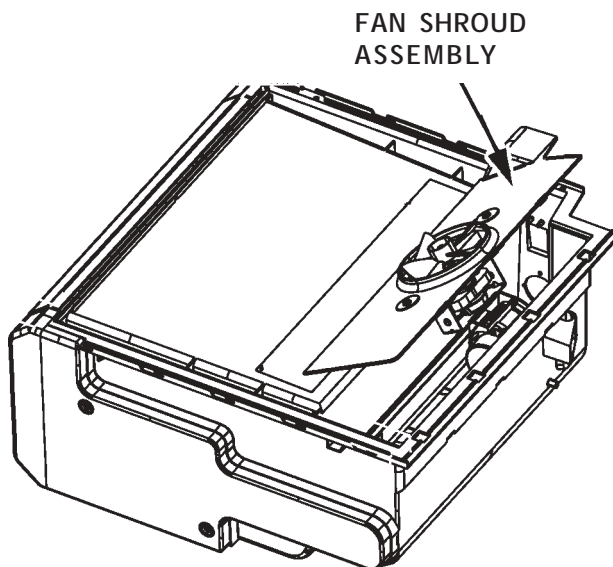


Figure 2-8

- Disconnect the fan motor leads. The wires are self-locking and it is important to squeeze the clip before pulling the leads off the terminals. (See Figure 2-9)

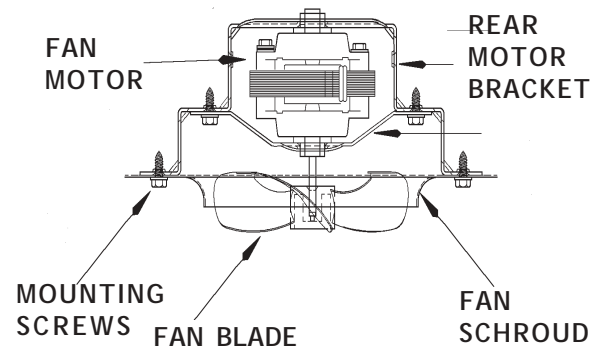


Figure 2-9

- Remove the fan shroud assembly and place it on a work surface.
- Remove the screws that secure the motor bracket assembly to the fan shroud.
- Remove the fan blade by pulling it off the shaft.
- Remove the screws that secure the rear bracket to the front bracket. Remove the motor from the rear mounting bracket.
- Install the new part and all components in reverse order of removal.

## CHECKING THE CZT DAMPER MOTOR/DOOR ASSEMBLY

*Disconnect the unit from the power source.*

- Perform steps 1 thru 8 in checking CZT fan motor.

**Note:** *The following test should be made by a qualified service Technician.*

- Using the test cord shown in Figure 2-1, make the following connection to CZT PC board wire harness connector.



3. Note the position of the damper.
4. If the damper door is closed
  - a\*. Insert one of the leads into terminal #1 (white wire).
  - b\*. Insert the other lead into terminal #10 (Red\Brn).
5. Make sure every thing is clear. Plug the test cord into a 115 volt ac outlet. The damper door should open. If not, disconnect the test cord from the AC outlet. Using an ohmmeter check the wire leads to the damper motor for continuity. If they check ok, replace the motor/damper door assembly.
6. If the damper door is open
  - a\*. Insert one of the leads into terminal #1 (white wire).
  - b\*. Insert the other lead into terminal #9 (Red\Grn).
7. Make sure every thing is clear. Plug the test cord into a 115 volt ac outlet. The damper door should close. If not, disconnect the test cord from the AC outlet.

Using an ohmmeter check the wire leads to the motor for continuity. If they check ok, replace the motor/damper door assembly.

---

#### REMOVING THE CZT DAMPER MOTOR/DOOR ASSEMBLY

The CZT damper motor/door assembly controls the air flow into the CZT assembly.

*Disconnect the unit from the power source.*

1. Perform steps 1 thru 10 in replacing CZT fan motor.
2. Remove the CZT air seal. (See Figure 2-10)

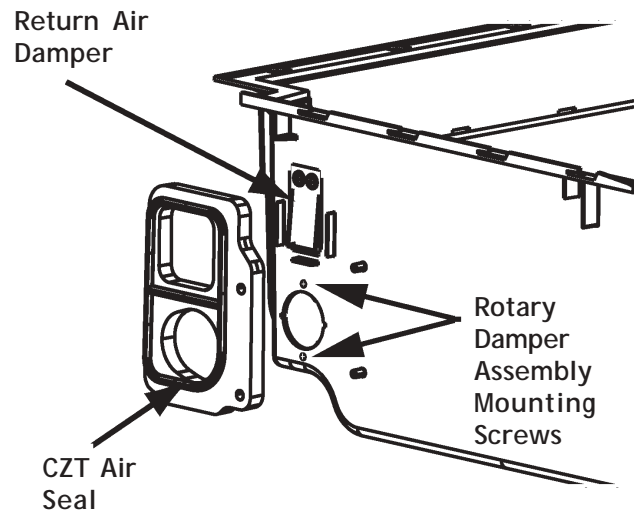


Figure 2-10

3. Remove the CZT damper motor/switch assembly as shown in Figure 2-11.

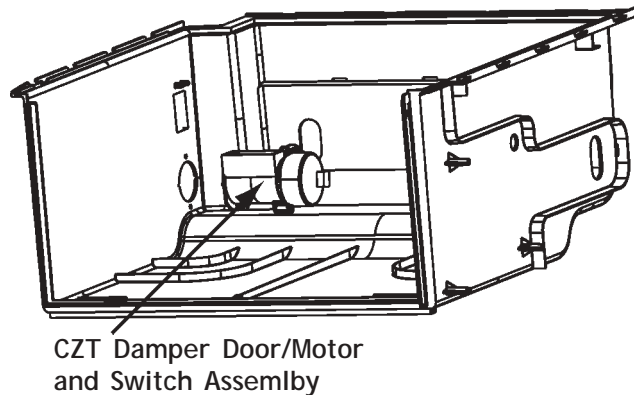


Figure 2-11

4. Remove the wire leads to the CZT Damper motor and switch assembly.
5. Install the new parts and all components in reverse order of removal.

## CHECKING AND REPLACING THE THERMISTOR

*Disconnect the unit from the power source.*

1. Perform steps 1 through 9 of Removing The CZT Fan Motor.

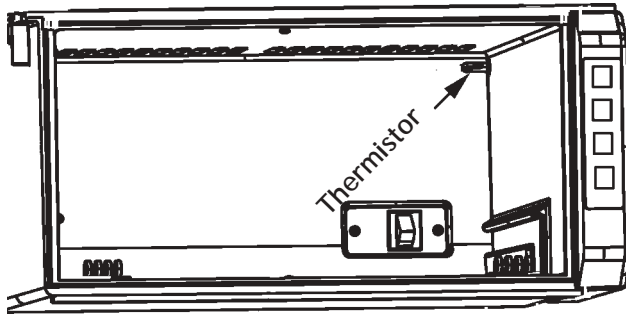


Figure 2-12

2. Squeeze the locking tabs on the thermistor to remove from the inner enclosure. (See Figure 2-13)

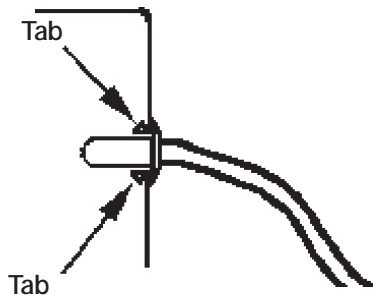


Figure 2-13

3. Remove the lower inner enclosure mounting screw shown in Figure 2-14.

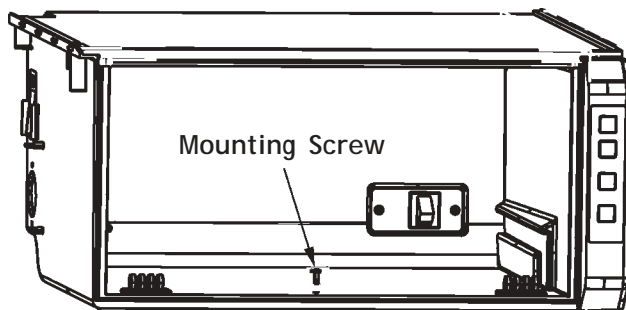


Figure 2-14

4. Disconnect the drawer switch leads.
5. Remove the inner enclosure. (See Figure 2-15)

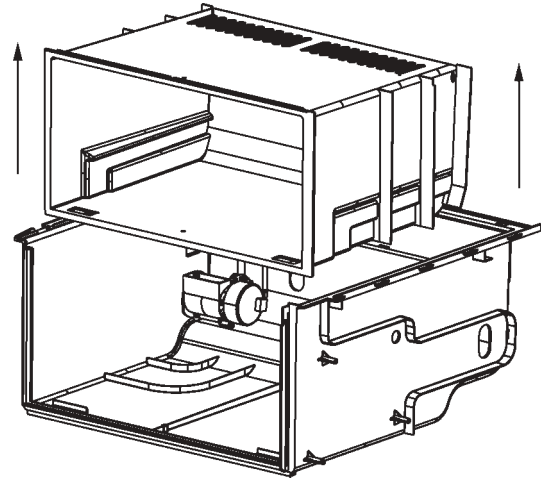


Figure 2-15

6. Remove the thermistor grommet from the outer enclosure. (See Figure 2-16)

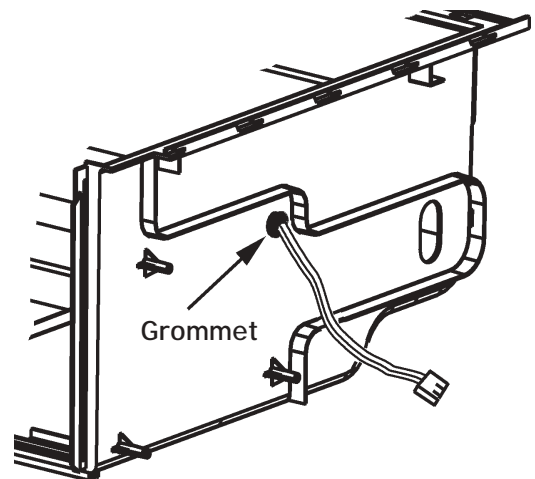


Figure 2-16

7. Place the thermistor in ice-water bath.
8. Connect an ohmmeter to the leads of the thermistor.
9. At 32° F the resistance of the thermistor should measure 347K, minimum or 354K, maximum.

- Reinstall all components in reverse order of removal.
- When placing the thermistor back into the inner enclosure, make sure it is in its proper orientation. (See Figure 2-17)

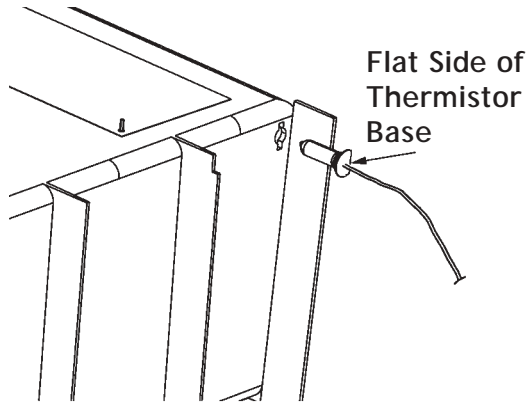


Figure 2-17

---

## TESTING AND REPLACING THE DRAWER SWITCH

*Disconnect the unit from the power source.*

- Remove the Storage Drawer.
- Remove the two switch mounting screws. (See Figure 18)

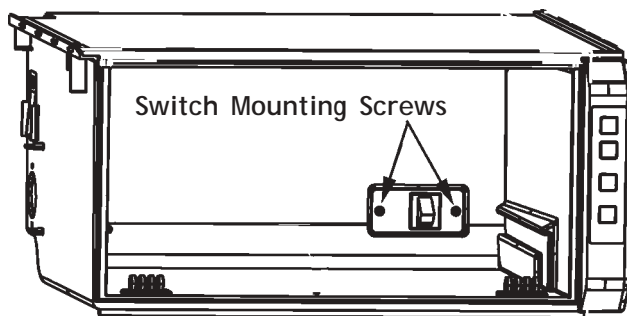


Figure 2-18

- Remove the switch wire leads.
- Using an ohmmeter check the switch. If open for continuity, replace the switch.

- Install new switch in reverse order of removal.

---

## REPLACING THE INNER ENCLOSURE ASSEMBLY

If the shape Memory Polymer (SMP) becomes damaged the inner enclosure assembly will have to be replaced.

*Disconnect the unit from the power source.*

- Perform steps 1 thru 10 of Removing the CZT Fan motor.
- Next, perform steps 2 thru 5 of Replacing the Thermistor.
- Remove the drawer switch and the wiring harness.
- Reinstall all parts in the new inner enclosure in reverse order of removal.

---

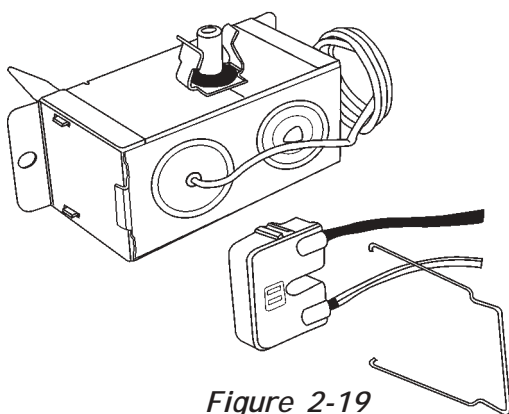
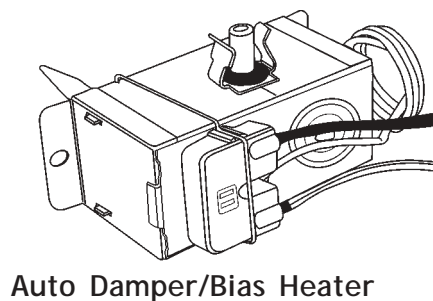
## CHECKING AND REPLACING THE AUTO DAMPER BIAS HEATER

The CZT bias heater is a resistive heater attached to the auto damper with a metal spring clip. The main purpose of the heater is to allow more cold air into the freshfood compartment when both pans are in the normal storage (off) mode. This is accomplished by heating the auto damper bellows, which results in the damper door being opened further. The auto damper still regulates the airflow into the freshfood, but the control band has now been "biased" or shifted by the supplemental heater.

Power is supplied to the heater whenever BOTH crisper fans are off. This occurs under the following conditions: when BOTH pans are in the normal storage (off) mode; when the refrigerator is in defrost (this includes the drip time); when BOTH pans are open; and when BOTH of the pan temperatures are above 60 F.

*Disconnect the unit from the power source*

1. Open the fresh food door and remove any items on the top shelf.
2. Remove the light shield cover by pulling down on the back corners of the cover and sliding the cover forward.
3. Remove the fascia/radiant shield mounting screws. Remove the control housing mounting screw at the back, bottom center of the control housing. Slide the control housing to the right. Lower the control housing.
4. Disconnect the control housing electric quick disconnect.
5. Remove the control housing from the refrigerator and place on a flat work surface.
6. Disconnect the auto damper bias heater wire leads. Using an ohmmeter check the bias heater, it should be 18K ohms ( $\pm 10\%$ ).

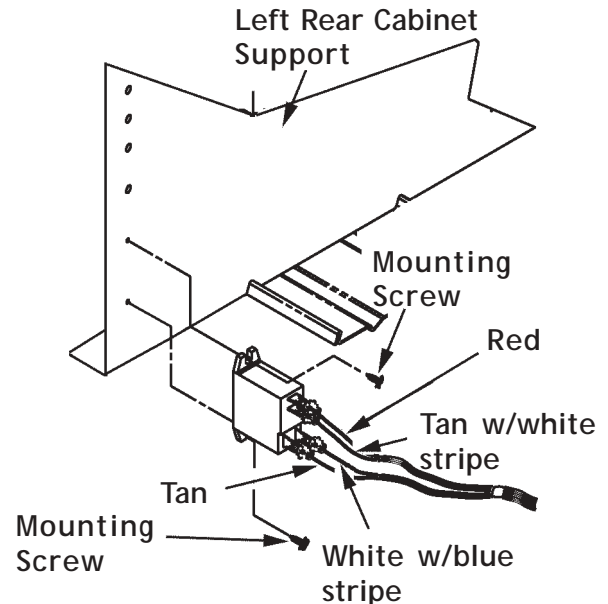


## ICE MAKER WATER VALVE RELAY

The Water Filter Reminder product includes an external relay to control the ice maker water valves. This external relay is required so the electronic control can monitor the water usage of the ice maker. The water usage through the dispenser is controlled by a relay on the electronic control board, which is also monitored. With the knowledge of the combined water usage of the ice maker and the dispenser, the control can determine when the appropriate amount of water flow through the water filter has occurred, and will turn on the change filter light.

*Disconnect the unit from the power source.*

1. Remove the machine compartment cover.
2. Remove the the TN and WH/BU from the water valve relay. Continuity check relay coil using a volt-ohm meter if open replace the relay.



---

## ELECTRONIC CONTROL BOARD TROUBLESHOOTING

The following checks should only be made  
by a Qualified Service Technician.

### NO LED'S ILLUMINATED ON THE FOUNTAIN TOUCH PAD

1. Check ribbon cable/wire connection between the two PC boards ("Mechanically Tight").
2. Checking the AC line in fountain verifies operation/closure of door interlock switch.

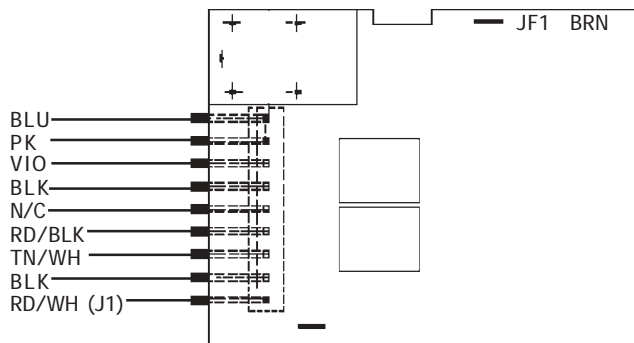


Figure 2-21

3. Check fountain heater continuity. **Unplug the unit.** Check heater resistance neutral to heater connection. It should read approximately 1300 ohms.
4. Replace key pad board.
5. Replace fountain control board.

---

### Some LED's Will Not Light

1. Replace key pad board.
2. Replace control board.

---

### Fountain Light Will Not Light

1. Check bulb and mechanical connections.

2. Does fountain light illuminate during a dispense?

Yes: (a) Replace key pad board.

No: (b) Replace control board.

---

### Will Not Dispense Ice Or Water

1. Press lock button 3 times. If another LED lights, replace LED/Switch PC Board.
2. When actuator pad is pressed, does fountain light come on?

**Note: Make sure fountain light bulb is good!**

No: (a) Check actuator switch and mechanical connections.

(b) Replace control board.

Yes: (a) If nothing works (ice door solenoid/auger/cube solenoid/water valve), replace control board.

No: (b) If some functions work, check for 115 VAC at ice door solenoid/auger/cube solenoid/water valve terminals during dispense.

(1) If 115 VAC output exists, replace component.

(2) If 115 VAC output is not present, replace control board.

---

### CHANGE FILTER LIGHT WILL NOT LIGHT

1. Press and hold lock and light buttons together for 3 seconds. Indicator should begin blinking. Release keypads lamp should go out.

No: (a) Replace key pad board.

(b) Replace the control board.

---

## IN-CABINET FUNCTION TEST (ICFT)

- Climate Zone Technology™ Control board assemblies have a self diagnostic function called an "In Cabinet Function Test " (ICFT)"
- Before conducting (ICFT) The refrigerator control settings and temperatures should be verified.
- Extreme fresh food control settings (to warm or to cold) will cause the CZT assemblies to exceed their limits.
- The CZT is designed to operate within a range of freezer and fresh food temperatures. (Freezer range -3 to +3° F. Fresh food range 35 to 40° F.) If temperatures exceed these ranges due to adjustments of the refrigerator controls, the CZT may no longer maintain the desired temperature. This problem is magnified when the upper/lower CZT settings are meat keeper/citrus.
- Therefore, it is important to determine the refrigerator control settings prior to troubleshooting.
- If the refrigerator controls are not at (mid/mid), customer education will be required.
- If the controls are set at (mid/mid) verify the fresh food and freezer compartments are within the ranges given above.

## IN-CABINET FUNCTION TEST (ICFT)

**COMPRESSOR IS RUNNING (NOT IN DEFROST)  
 FRESH FOOD DOOR IS OPEN  
 CZT ASSEMBLY HAS POWER AND A SET POINT IS SELECTED, I.E. CITRUS,PRODUCE OR MEATS.  
 CZT PAN DRAWER IS CLOSED, I,E, NO FLASHING DISPLAY**

ACTION	RESULT
1. PUSH PAN NORMAL BUTTON.	WAIT UNTIL ROTARY DAMPER STOPS MOVING AND IS IN CLOSED POSITION (MAY TAKE UP TO 30 SECONDS). DISPLAY AND SETPOINT LEDS SHOULD BE OFF.
2. DOOR SWITCH TO DOOR CLOSED, PUSH PAN NORMAL AND PRODUCE BUTTON AT THE SAME TIME.	ROTARY DAMPER NOT MOVING AND FAN OFF. TEST MODE ENABLED FOR 4 MINUTES.
3. RELEASE DOOR SWITCH TO DOOR OPEN.	ALL SET POINT LEDS ON. DISPLAY SHOWS 'PA' (PAN AMBIENT) FOR THREE (3) SECONDS, THEN SHOWS PAN TEMPERATURE (IF ABOVE 80°, WILL SHOW 80°). VERIFY ALL LEDS ARE ON.
4. PUSH PAN CITRUS BUTTON.	DISPLAY SHOWS 'PA' (PAN AMBINET) FOR THREE (3) SECONDS, THEN SHOWS PAN TEMPERATURE. VERIFY DISPLAY IS ON, AND INDICATES TEMPERATURE AS DESCRIBED IN STEP 3).
5. OPEN PAN.	DISPLAY FLASHES (APPROXIMATELY 1/2 SECOND ON, 1 SECOND OFF). VERIFY FLASHING DISPLAY.
6. CLOSE PAN.	VERIFY DISPLAY STOPS FLASHING.
7. PUSH PAN PRODUCE BUTTON.	DAMPER OPENS. FAN OFF. 7-SEGMENT DISPLAY BEGINS 'WALKING SEGMENT' SEQUENCE. VERIFY DAMPER OPEN. VERIFY ALL SEGIMENTS ILLUMINATE NO MORE THAN ONE ON AT A TIME.
8. PUSH PAN PRODUCE BUTTON.	DAMPER CLOSED. FAN ON. VERIFY ROTARY DAMPER CLOSED AND FAN ON. NOTE: IF DISPLAY SHOWS E1, THERE IS AN EEPROM FAILURE.

## SECTION 3. SPECIFICATIONS

### 27'/29 DISPENSER (CZT/WFR AND NON CZT)

Power Requirement	115 VAC 60 HZ
Operating Amps (Max.)	7.2
Refrigerant Charge R134A (oz.)	5.75 oz
Compressor Oil Charge (oz.)	11.8
Compressor (BTU/hr.)	1020
Cabinet Liner	HIPS
Door Liners	HIPS
Cabinet & Divider Insulation	Foam
Fountain Heater <i>Ohms</i>	1300

Temp Control <i>Cut / Out (± 2 ° F)</i> <i>Cut / In (± 2 ° F)</i>	Normal Setting -9 ° F +21 ° F
Condenser	Fan Cooled
Capillary Tube <i>Length</i> <i>Diameter</i>	103 inches 0.028 inches I.D.
Defrost thermostat <i>Cut / Out (±3 ° F)</i> <i>Cut / In (±11 ° F)</i>	+43° F +15° F
Defrost Timer <i>Defrost Cycle</i> <i>Defrost Time</i>	10 hrs. 23 ± 3 Min.
Defrost Heater <i>Ohms</i> <i>Watts</i>	22 600

### PERFORMANCE TEST DATA

The laboratory test data in this chart was obtained under the following conditions: (1) power source of 115V AC, 60 Hz, (2) no door openings, (3) no load, (4) customer control(s) set at mid-point. The pressures and wattages shown were taken: (a) during a normal running cycle, (b) with freezer temperature near 0° F (refrigerator temperature, if applicable, near +37° F). (c) no sooner than 5 minutes after compressor start-up. In the home, measurements will vary depending upon environmental and usage conditions.

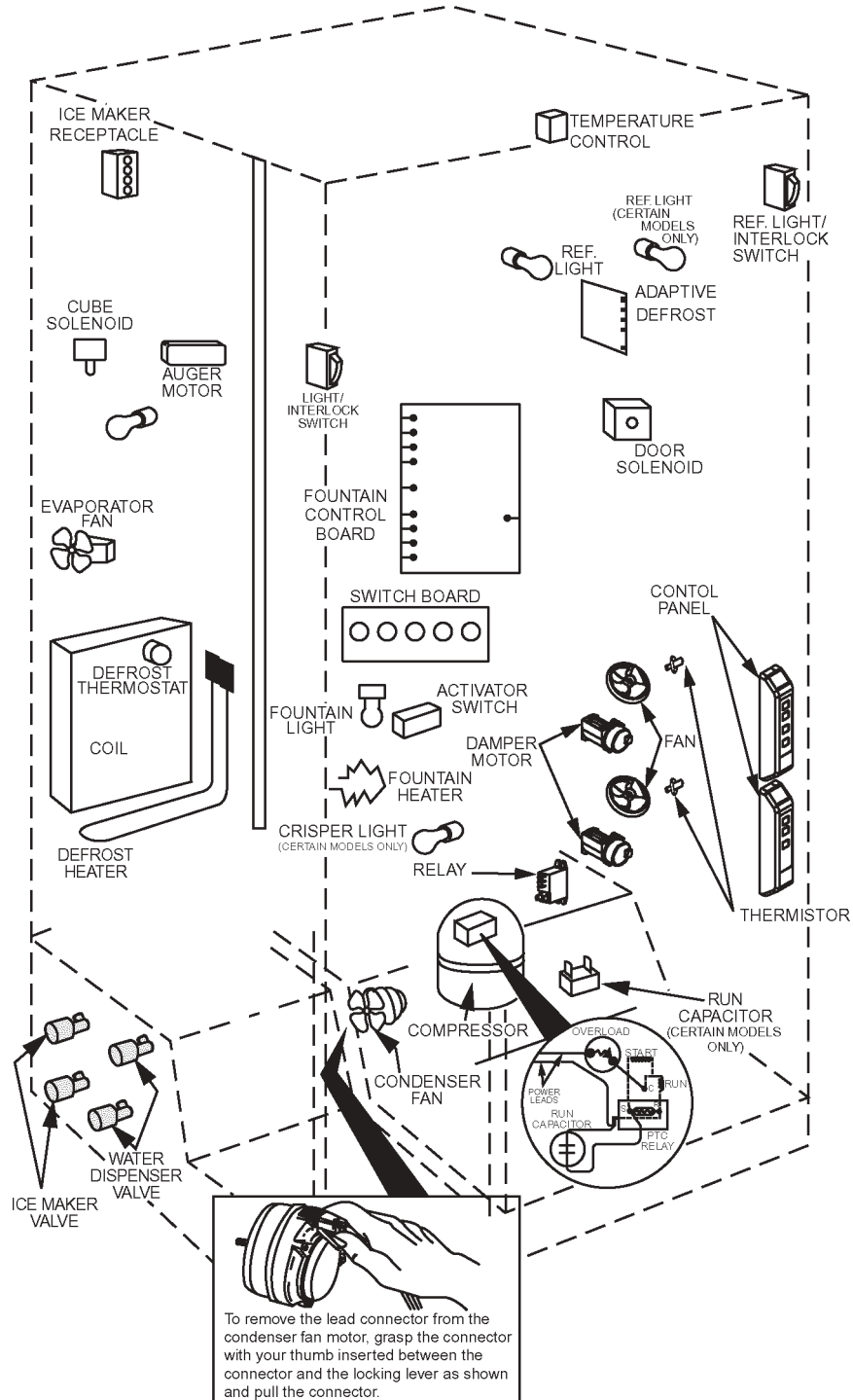
	70° F (Ambient)	90° F (Ambient)	110° F (Ambient)
% Operating Timer	34-44	49-62	100
KWH/24 Hours	1.44-1.76	2.12-2.62	3.95-4.25
Suction Pressure (psig)	-3" Hg/0	-2" Hg/2	-1" Hg/5
High Side Pressure (psig)	100/130	150-180	190-210
Running Watts	145-180	155-190	165-200



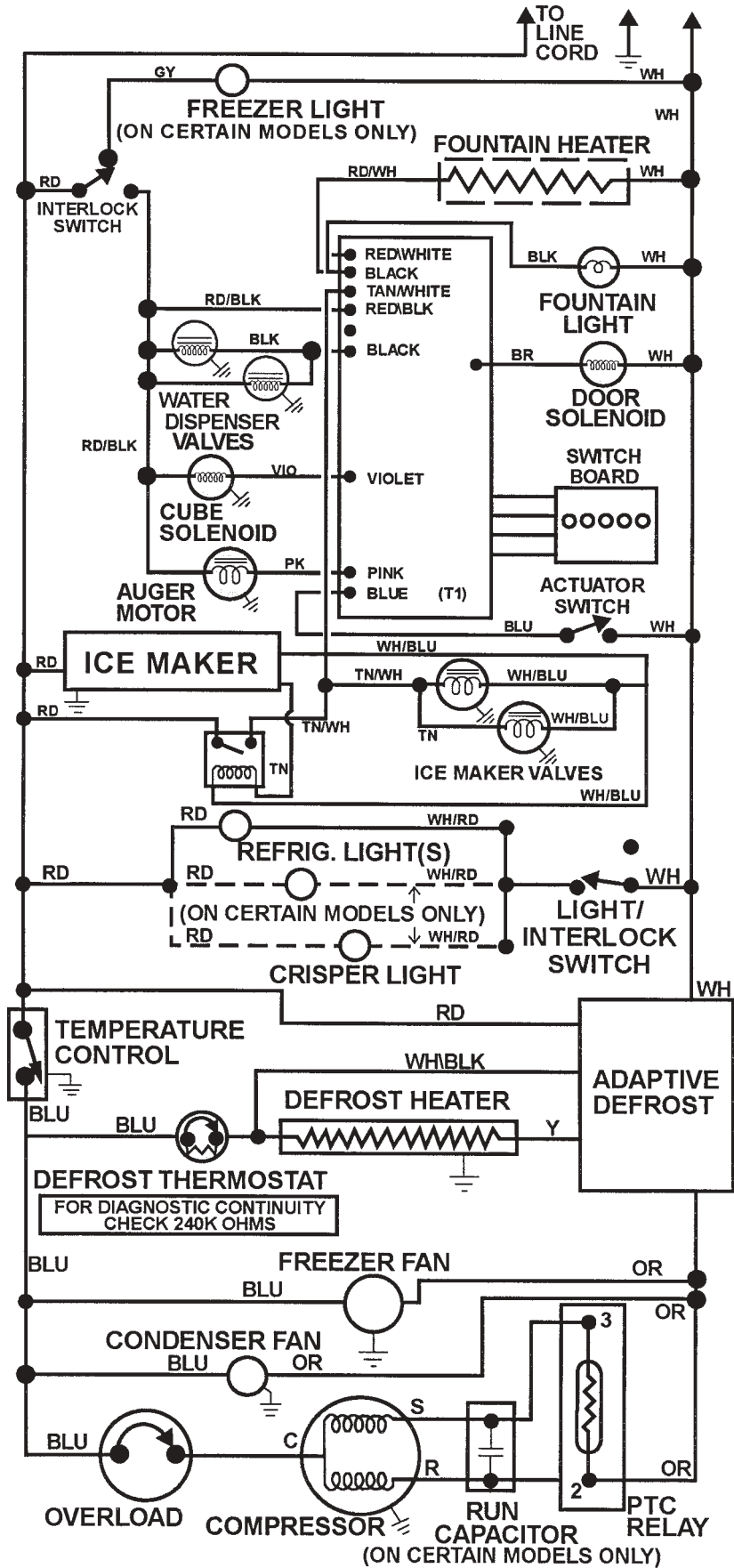


# SECTION 4. SCHEMATICS

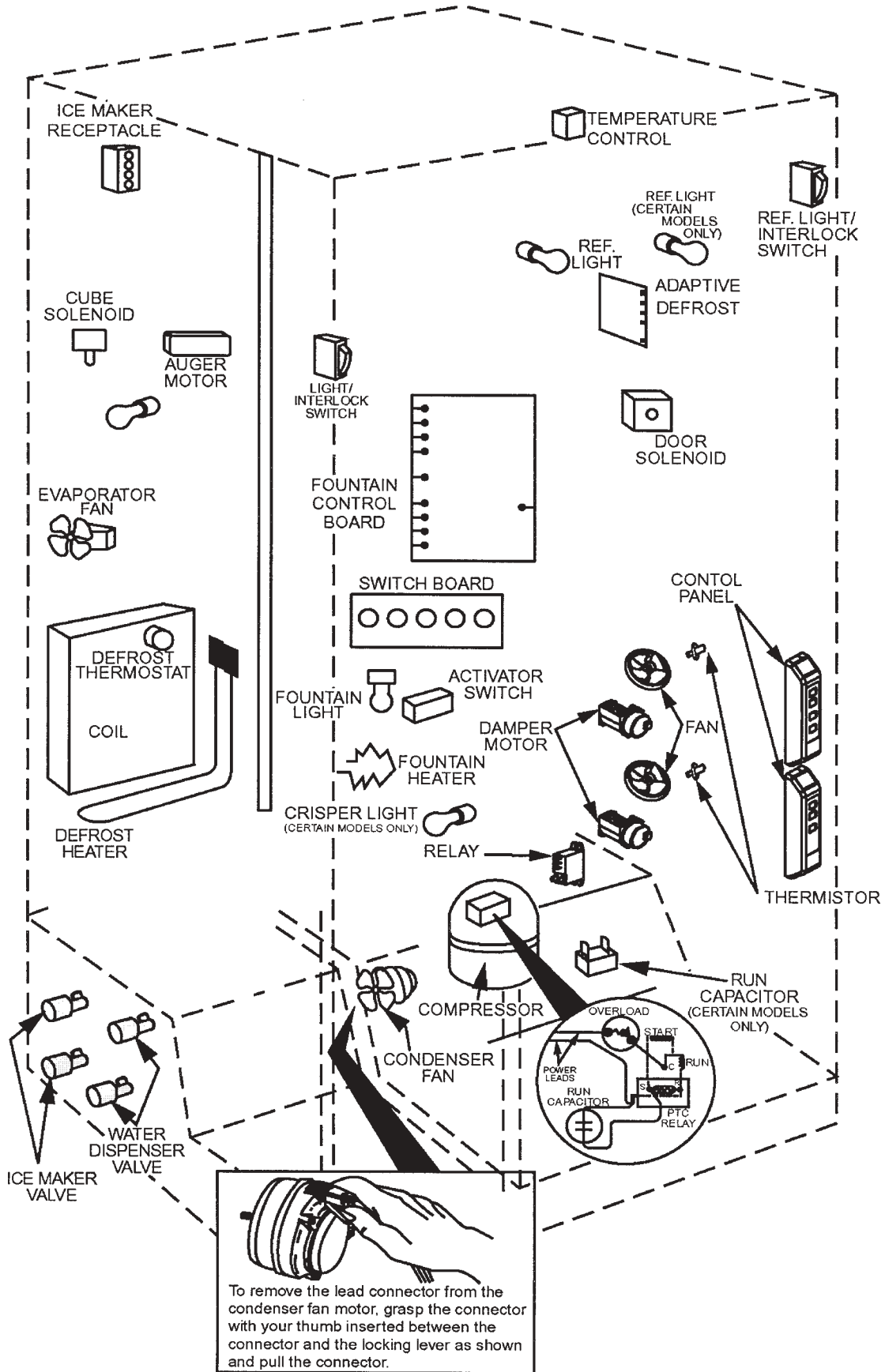
## PICTORIAL DIAGRAM

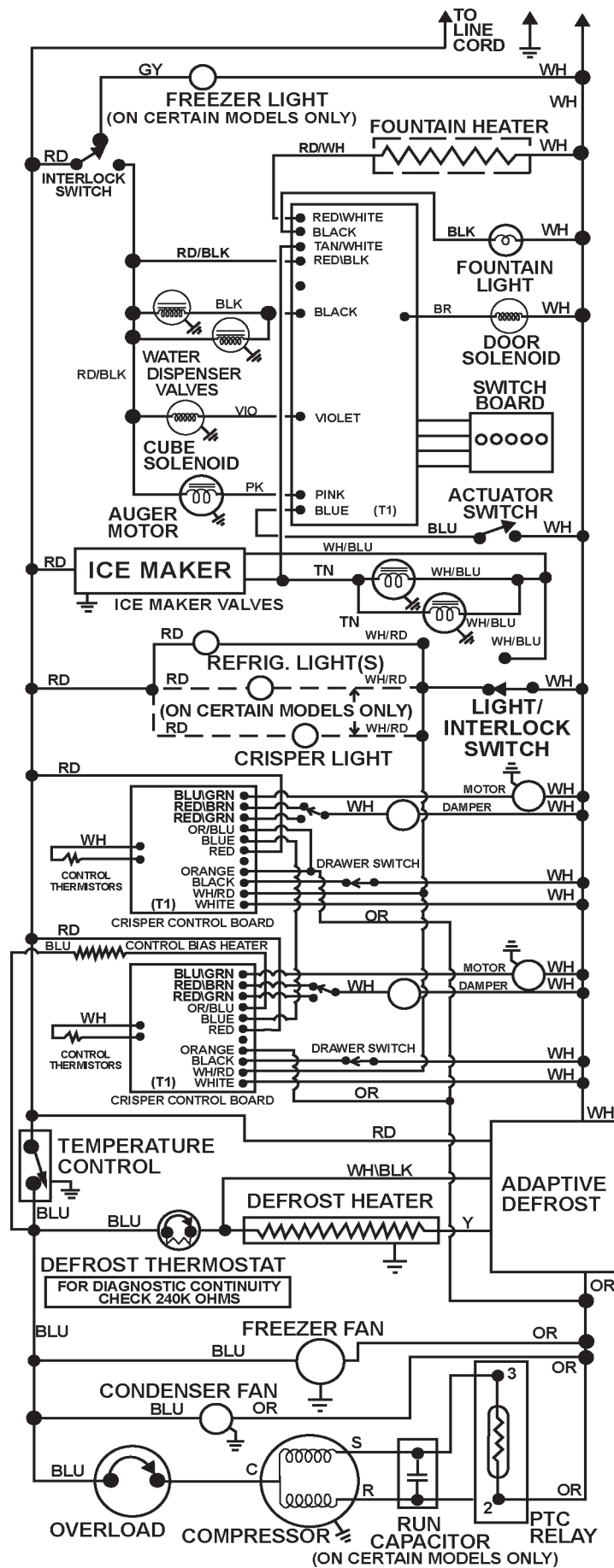


# SCHEMATIC WIRING DIAGRAM □□ (WFR)



# PICTORIAL DIAGRAM





**MAYTAG**

Maytag Appliances Sales Company

Customer Service  
240 Edwards Street, S.E.  
Cleveland, Tennessee 37311