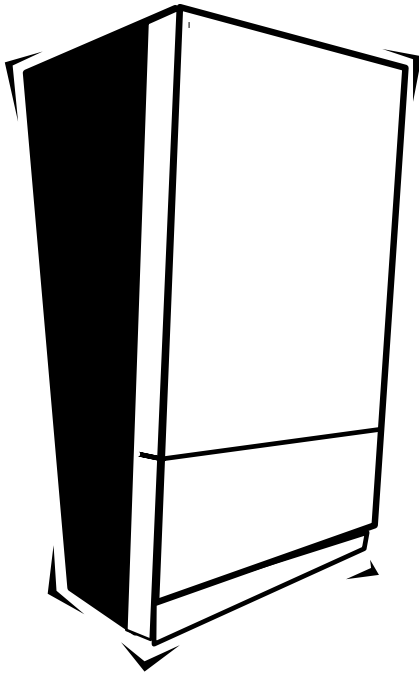




TECHNICAL SERVICE GUIDE

GE PROFILE™ BOTTOM-FREEZER NO-FROST REFRIGERATOR



MODELS:

TCX18I
TCX18P



CONTENTS

SAFETY INFORMATION	2
NOMENCLATURE	3
FEATURES AND BENEFITS	4-7
WARRANTY	8
SERVICE SPECIFICATIONS	9
RESISTANCES/FAST MOVING PARTS	10
PRODUCT FAMILARIZATION AND CARE	11-14
DOOR REVERSE	15-18
COMPONENT SERVICEABILITY	19-24
Gaskets-Shelves	19
Roller System, Operating requirements	20
Airflow-Evaporator Fan	21
Control Console	22
Timer	22
Cold Control	22
Air Damper	22
Defrost System	23
Replace Defrost Heater	23
Machine Compartment	23
Refrigeration System	23
TRUBLESHOOTING	25
SCHEMATIC	26
WIRING DIAGRAM	27
EXPLODED PARTS VIEW AND LIST	27-41



IMPORTANT SAFETY NOTICE

The information in this service guide is intended for use by individuals possessing adequate backgrounds of electrical, electronic and mechanical experience. Any attempt to repair a major appliance may result in personal injury and property damage. The manufacturer or seller cannot be responsible for the interpretation of this information, nor can it assume any liability in connection with its use.

CAUTION

To avoid personal injury, disconnect power before servicing this product. If electrical power is required for diagnosis or test purposes, disconnect the power immediately after performing the necessary checks.

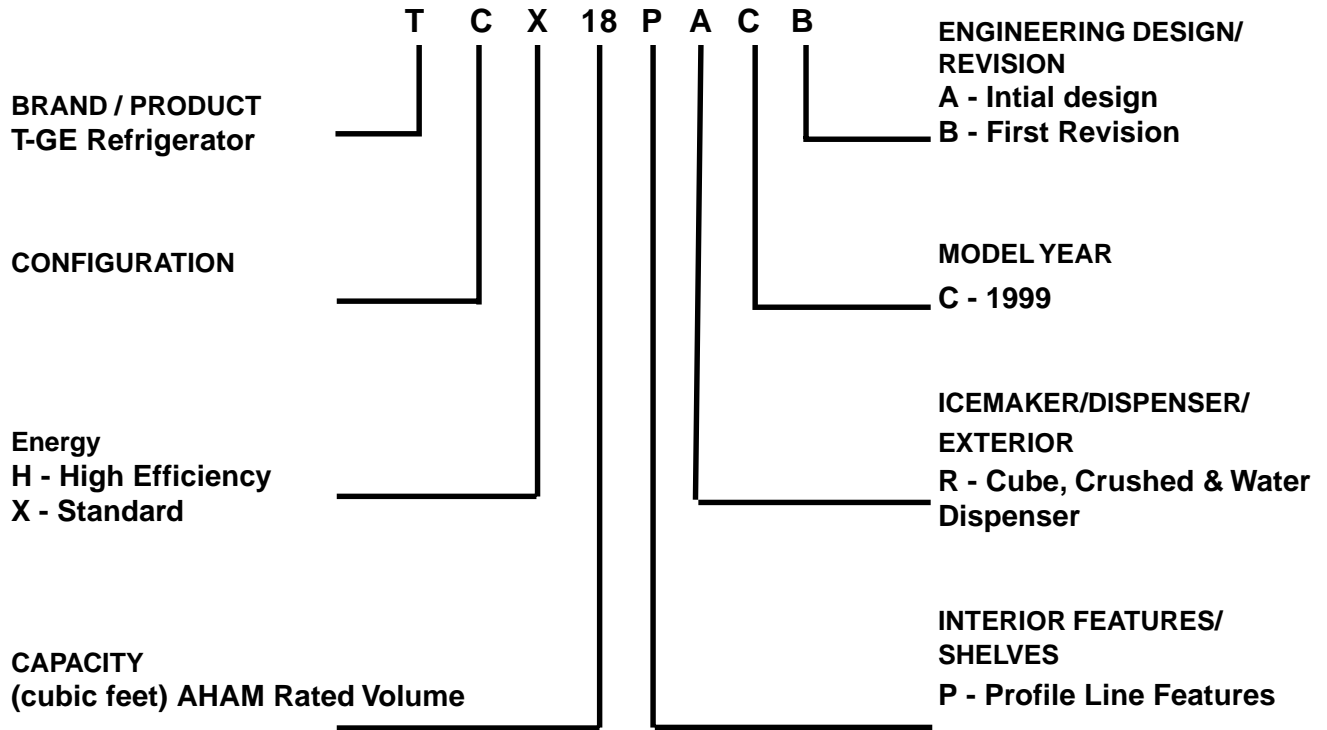
RECONNECT ALL GROUNDING DEVICES

If grounding wires, screws, straps, clips, nuts, or washers used to complete a path to ground are removed for service, they must be returned to their original position and properly fastened.

NOMENCLATURE

MODEL NOMENCLATURE

Model TCX18 is a bottom freezer, no frost 18 cubic foot refrigerator, introduced 1999.



The total storage capacity is 17.6 cu. ft. (12.9 cu.ft. Fresh Food and 4.7 cu. ft. Freezer capacity)

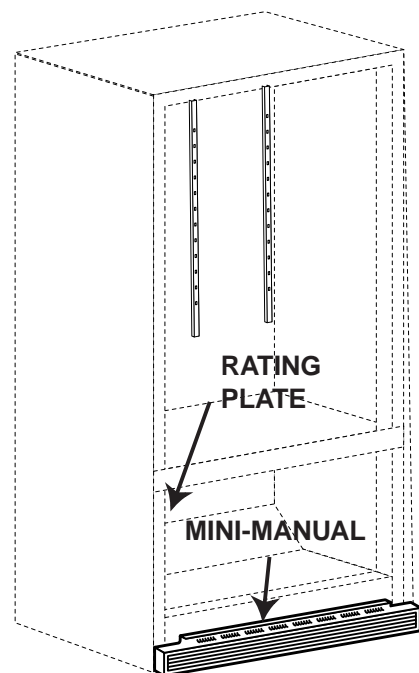
RATING PLATE

The rating plate is located at the top of the freezer liner, near the left front corner. In addition to the refrigerator model and serial numbers, the rating plate specifies the minimum installation clearances: the electrical voltage, frequency, and amperage ratings; and the refrigerant type and charge quantity.

The model and serial numbers of the refrigerator are also located on a bar-code label at the rear of the cabinet

MINI-MANUAL

The Mini Manual is located behind the base grille, at the left side, near the front of the machine compartment. After using the Mini-Manual, it should be returned to its original location for future use.



BOTTOM-FREEZER MODELS: 22 TO 18 CU. FT.

ALL MODELS INCLUDE ● Adjustable humidity vegetable/fruit crispers ● Snack pan ● Adjustable spill-proof shelves
 ● Wire Everwhite sliding freezer basket ● 4 modular door bins ● Equipped for optional automatic icemaker



Modular Fresh Food Gallon Door Storage provides maximum storage flexibility.



Spill-Proof Shelves help contain spills for ease of cleaning.



Wire Slide-Out Can Dispenser for easy dispensing of your favorite beverage. (Not available on TCX18IAC)



Clear Crispers with Limited Lifetime Warranty. See page 138 for details.



GE Profile® TCX22PAC

- 21.7 cu. ft. capacity
- Wire slide-out can dispenser



GE Profile® TCX18PAC

- 17.6 cu. ft. capacity
- Wire slide-out can dispenser

GE TCX18IAC (not shown)

- 17.6 cu. ft. capacity



GE Appliances

Bottom-Freezer No-Frost Refrigerator

TCX18IAC



FEATURES	
CAPACITY	
Total (cu. ft.)	17.6
Fresh food (cu. ft.)	12.90
Freezer (cu. ft.)	4.7
Shelf area (sq. ft.)	17.9
FRESH FOOD SECTION	
Cabinet shelves, adjustable	4 Split Glass
Clear LEXAN [®] snack pan	¥
Tall clear LEXAN vegetable/fruit crispers	2 Adj. Humidity
Modular door bins	4 Adj.
Door shelf (full-width)	1 Fixed w/Gallon Storage
Clear LEXAN dairy compartment	¥
Snugger clips	2
Interior light(s)	2
FREEZER SECTION	
Compartment shelf	1 Full-Width
Slide-out basket	1 Full-Width
Door shelves	2 Full-Width (1 w/Gallon Storage)
Automatic icemaker	Opt. (IM3)
Ice cube trays	2
Ice tray shelf	¥
Ice Easy bin	¥
Interior light	¥
CABINET FEATURES	
Textured steel doors and case	¥
Insulation (cabinet and door)	Foam
Adjustable rollers	¥
Door stops	¥
Coil-free back	¥
Reversible doors	¥
Door handle(s)	Color-Matched, Full-Length
Color(s) available*	WW
DIMENSIONS	
Height to top of hinge (in.)	66-1/4
Height to top of case (in.)	65-3/4
Case depth without door (in.)	26
Case depth less door handle (in.)	28
Case depth with door handle (in.)	29-1/8
Depth with door open 90° (in.)	56-1/4
Width (in.)	31
Side clearance for 90° door open	1-3/4
Air clearances	Each side (in.) 1/2
	Top (in.) 1
	Back (in.) 0**
Approx. shipping weight (lbs.)	247

*Colors available: WW = White on white.

**Metal cover on back, when touching wall, gives 1-1/4" clearance.



Bottom-Freezer No-Frost Refrigerator

TCX18PAC




FEATURES	
CAPACITY	
Total (cu. ft.)	17.6
Fresh food (cu. ft.)	12.90
Freezer (cu. ft.)	4.7
Shelf area (sq. ft.)	17.9
FRESH FOOD SECTION	
Cabinet shelves, adjustable	4 Split Glass
(slide-out)	2
(spill-proof)	4
Clear LEXAN [®] snack pan	¥
Tall clear LEXAN [®] vegetable/fruit crispers	2 Adj. Humidity
Wire slide-out can dispenser	¥
Beverage rack	¥
Modular door bins	4 Adj.
Door shelf (full-width)	1 Fixed w/Gallon Storage
Clear LEXAN [®] dairy compartment	1 w/butter dish
Utility egg bin	¥
Snuggler [®] clips	2
Interior light(s)	2
FREEZER SECTION	
Slide-out basket(s)	1 Full-Width/1 Half-Width
	2 Full-Width,
	1 w/Gallon Storage
Door shelves	Opt. (IM3)
Automatic icemaker	2
Ice cube trays	¥
Ice tray shelf	¥
Ice Easy bin	¥
Interior light	¥
CABINET FEATURES	
Textured steel doors and case	¥
Insulation (cabinet and door)	Foam
Adjustable rollers (front)	¥
Door stops	¥
Coil-free back	¥
Reversible doors	¥
Door handle(s)	Color-Matched
Color(s) available*	WW, AA, BB
DIMENSIONS	
Height to top of hinge (in.)	66-1/4
Height to top of case (in.)	65-3/4
Case depth without door (in.)	26
Case depth less door handle (in.)	28
Case depth with door handle (in.)	29-1/8
Depth with door open 90° (in.)	56-1/4
Width (in.)	31
Side clearance for 90° door open	1-3/4
Air clearances	Each side (in.)
	1/2
	Top (in.)
	1
	Back (in.)
	0**
Approx. shipping weight (lbs.)	247

*Colors available: WW = White on white, AA = Almond on almond, BB = Black on black.

**Metal cover on back, when touching wall, gives 1-1/4" clearance.

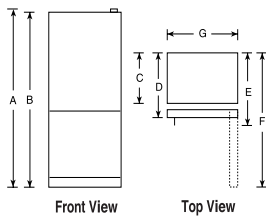
BOTTOM-FREEZER REFRIGERATOR

	GE Profile [*]		GE
	TCX18PAC	TCX18AC	TCX18AC
Capacity			
Total (cu. ft.)	17.6	17.6	
Fresh food (cu. ft.)	12.90	12.90	
Freezer (cu. ft.)	4.7	4.7	
Shelf area (sq. ft.)	23.0	23.0	
Features			
Automatic icemaker	Opt. (IM3)	Opt. (IM3)	
Ice  Easy trays	2	2	
Ice tray shelf	•	•	
Ice storage bin	•	•	
Cabinet shelves	4 Glass	4 Glass	
(adjustable)	4 Split	4 Split	
(spill-proof)	4	∅	
Snack pan	•	•	
Vegetable/fruit crisper(s)	2 Adj. Humid.	2 Adj. Humid.	
Utilty egg bin	•	•	
Modular door bins	4 Adj.	4 Adj.	
Door shelf (full-width)	1 Fixed w/ gallon storage	1 Fixed w/ gallon storage	
Wire slide-out can dispenser	•	•	
Dairy compartments	1 Clear w/ butter dish	1 Clear	
Interior light	•	•	
Wire Everwhite	1 Full-Width	1 Full-Width	
Freezer storage basket	1 Half-Width	1 Full-Width	
Freezer compartment shelf	∅	1 F/W	
Freezer door shelves	2 Full-Width, 1 w/gal. stor.	2 Full-Width	
Freezer interior light	•	∅	
Upfront freezer control	∅	∅	
Economical/Quiet			
Cabinet/door insulation	Foam	Foam	
Cabinet liner	Steel	Steel	
Door liner	ABS	ABS	
Appearance			
Color(s) available [*]	WW, AA, BB	WW	
Door handle(s)	Color-Matched	CM Full-Length	
Textured steel doors and case	•	•	
Door stops	•	•	
Reversible doors	•	•	
Adjustable front rollers	•	•	
Coil-free back	•	•	
Weights & Dimensions			
Height to top of hinge (in.) A	66-1/4	66-1/4	
Height to top of case (in.) B	65-3/4	65-3/4	
Case depth without door (in.) C	26-1/4	26-1/4	
Case depth less door handle (in.) D	28	28	
Case depth with door handle (in.) E	29-1/8	29-1/8	
Depth with door open 90° (in.) F	57-1/4	57-1/4	
Width (in.) G	31	31	
Side clearance for 90° door open	1-3/4	1-3/4	
Air clearances	Each side (in.)	1/2	
Top (in.)	1	1	
Back (in.)	0**	0**	
Approx. shipping weight (lbs.)	247	247	

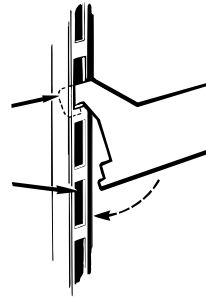
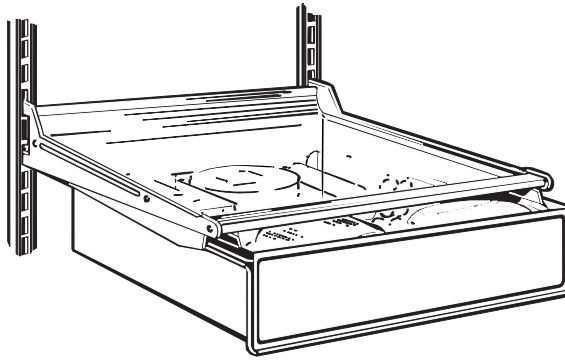
^{*}Color(s) available: WW = White on white, AA = Almond on almond, BB = Black on black.

^{**}Metal cover on back, when touching wall, gives 1-1/4" clearance.

Bottom-Freezer Refrigerator



ADJUSTABLE SHELVES



INSERT TOP HOOK

Refrigerator Warranty

(for customers in the United States)

All warranty service provided by our Factory Service Centers, or an authorized Customer Care technician. For service call **1-800-GE-CARES**.

One Year

From the date of the original purchase

Any part of the refrigerator which fails due to a defect in materials or workmanship. During this full one-year warranty. Ge will also provide, free of charge, all labor and in-home service to replace the defective part.

Five Years

From the date of the original purchase

Any part of the sealed refrigerating system (the compressor, condenser, evaporator, and all connecting tubing) which fails due to a defect in materials or workmanship. During this five-year warranty, Ge will also provide, free of charge, all labor and in-home service to replace the defective part.

Warranty Will Not Cover

Service trips to your home to teach you how to use the product

Replacement of house fuses or resetting of circuit breakers

Improper installations

Damage to the product caused by accident, fire, floods or acts of God.

Failure of the product if it is abused, misused, or used for other than the intended purpose or used commercially

Incidental or consequential damage to personal property caused by possible defects with this appliance.

Loss of food due to spoilage

This warranty is extended to the original purchaser and any succeeding owner for products purchased for home use within USA. In Alaska, the warranty excludes the cost of shipping or service calls to your home.

Some states do not allow the exclusion or limitation of incidental or consequential damages. This warranty gives you specific legal rights, and you may also have other rights which vary from state to state. To know what your legal rights are, consult your local or state consumer affairs office or you state's Attorney General.

Warrantor: General Electric Company. Louisville, KY 40225

SPECIFICATIONS (TECHNICAL DATA)

ELECTRICAL SPECIFICATIONS

Temperature Control (Position 5)	35-40°F
Defrost Control	10 hrs. @ 40 min.
Defrost Thermostat	55-25°F
Electrical Rating: 115V, AC 60 Hz.	3-6.Amp.
Maximum Current Leakage	0.35 mA
Maximum Ground Path Resistance	0.5 Ohms
Energy Consumption	699 KWH/YEAR

NO LOAD PERFORMANCE

Control Position

Ambient Temperature	70°F	90°F
Fresh Food, °F	34-40°F	35-40°F
Frozen Food, °F	2-8°F	0-4°F
Percent Running Time	38-48	45-61

REFRIGERATING SYSTEM

Minimum Compressor Capacity Vacuum	21 in. Hg
Minimum Equalized Pressure @ 70°F (21°C) @ 90°F (32°C)	43 PSIG 50 PSIG
Refrigerant - R 134a	3.28 oz.
Compressor	778 BTU/H

INSTALLATION

Clearance must be provided at top, sides and rear of the refrigerator for air circulation.

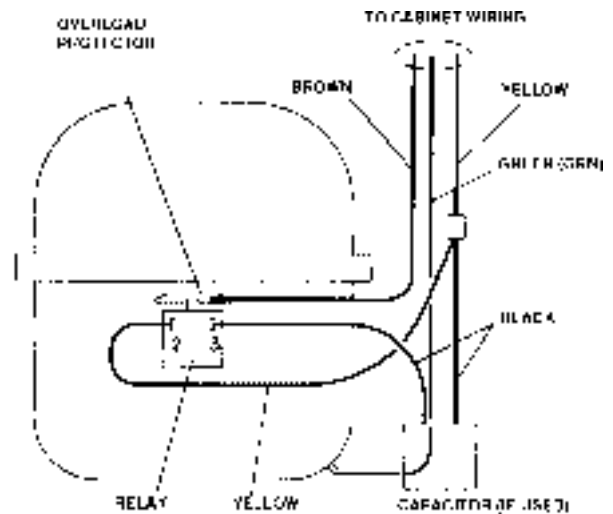
TOP	1 inch
SIDES	0.50 in.
REAR at condenser (metal cover 1- 1/4" when touching the wall)	0.0 in.

REPLACEMENT PARTS

TEMPERATURE CONTROL	WR09X10017
RELAY	WR7X240
OVERLOAD	WR08X10010
DEFROST CONTROL	WR09X05520
DEFROST THERMOSTAT	WR50X10002
DEFROST HEATER ASM.	WR51X10011
EVAPORATOR FAN MOTOR	WR60X0190
CAPACITOR	WR60X203
COMPRESSOR	WR90M99
EVAPORATOR	WR49M301
CONDENSOR	WR85X10008
DRYER	WR86X10006
CONDENSOR FAN MOTOR	WR60X225
HIGH SIDE	WR87X476
LO SIDE	WR85X10001

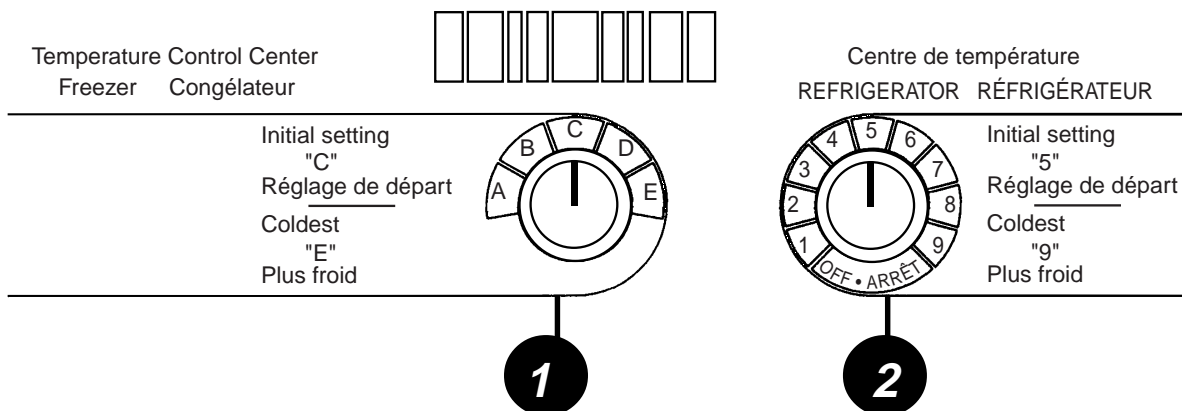
COMPONENT RESISTANCE

WATER VALVE	190 Ω
FAN MOTOR (Condenser)	205 Ω
FAN MOTOR (Evaporator)	48.3 Ω
DEFROST HEATER	28.5 Ω
WATER VALVE (WHEN USED)	190 Ω



The temperature controls on the refrigerator have letters and numbers. Initially set the refrigerator control at 5 and the freezer control at C.

If you want colder or warmer temperatures, adjust the refrigerator temperature first. When satisfied with that, adjust the freezer temperature.



Control Settings

1 Freezer Control

The freezer control moves a damper to change the amount of cold air that moves from the freezer to the refrigerator compartment.

2 Refrigerator Control

The refrigerator control maintains the temperatures throughout the refrigerator.

Moving the refrigerator control to OFF stops cooling in both areas—refrigerator and freezer—but does not shut off power to the refrigerator.

How To Test Temperatures

Use the milk test for the refrigerator compartment. Place a container of milk on the top shelf and check it a day later. If the milk is too warm or too cold, adjust the temperature control.

Use the ice cream test for the freezer compartment. Place a container of ice cream in the center of the freezer and check it after a day. If it's too hard or too soft, adjust the temperature control.

After changing the controls, allow 24 hours for the refrigerator to reach the temperature you have set

Food Storage

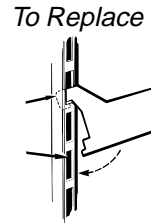
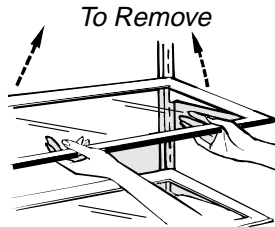
The type of packaging used and the storage temperatures will affect how long food will keep in the refrigerator.

Refrigerator shelves, bins and storage drawers.

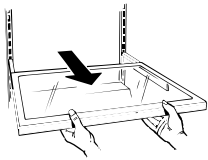
Not all features are on all models.

Rearranging the Shelves

Glass and wire shelves in the refrigerator compartment are adjustable.

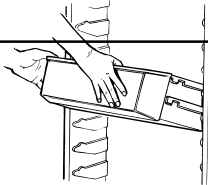


Slide-Out Spillproof Shelf



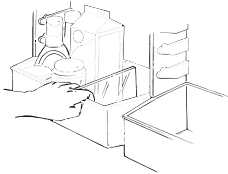
The slide-out spillproof shelf allows you to reach items stored behind others. The special edges are designed to help prevent spills from dripping to lower shelves.

Make sure you push the shelves all the way back in before you close the door.



Adjustable Door Bins

Adjustable bins can easily be carried from refrigerator to work area.

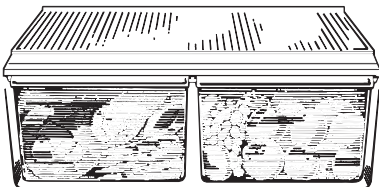


To remove: Tilt the bin up and pull out on the molded supports until it comes completely out of the door.

The snuggers help prevent tipping, spilling or sliding of small items stored on the door shelf. Place a finger on either side of the divider near the front and move it back and forth to fit your needs.

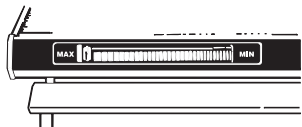
To replace or relocate: Select desired height, engage the bin in the molded supports of the door and slide the bin in. The bin will hook in place.

Fruit and Vegetable Drawers



Excess water that may accumulate in the bottom of the drawers should be emptied and the drawers wiped dry.

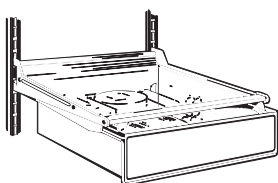
Adjustable Humidity Drawers



Slide the control all the way to the **MAX** setting to provide high humidity recommended for most vegetables

Slide the control all the way to **MIN** setting to provide lower humidity levels recommended for most fruits.

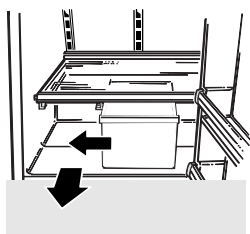
Detachable Meat Drawer



The slide-out meat drawer can be removed and taken to the sink or food preparation area.

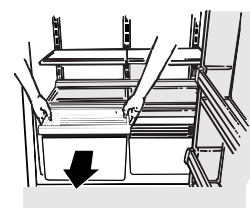
The drawer and the adjustable shelf to which it attaches can be relocated at any level.

Storage Drawer and Cover Removal



To Remove:

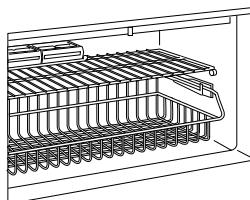
These drawers can be removed easily by lifting up slightly while pulling the drawers past the stop location.



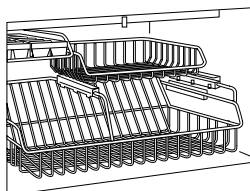
When the door cannot be opened enough to pull the drawer straight out, slide the drawer toward the middle and remove it.

Remove the glass, then the frame. When replacing the glass, push the edge firmly into the frame.

Freezer Shelves and Baskets

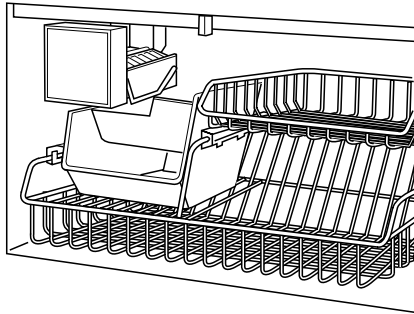


On models with two sliding baskets: Both the lower and upper baskets slide out to provide easy access to foods stored in the freezer. When the lower basket is pulled out, the upper basket may be pushed back to further improve access to the lower basket.



On models with one sliding basket and one full width shelf: The lower basket slides out to provide easy access to foods stored in this basket.

The top full width fixed shelf provides a convenient location to store ice cube trays and ice bucket as well as a variety of foods.



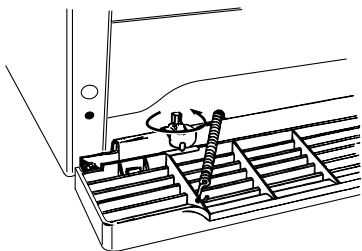
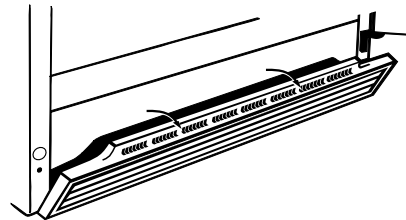
Some models may have a automatic icemaker. The correct kit model is noted on the back of the refrigerator.

NOTE: Refrigerator should be installed in an area when the external temperature range falls between 60°F-105°F. If the temperature is below 60°F, it will not run often enough to maintain proper temperature.

Leveling

The refrigerator comes with adjustable rollers. Rollers should be set so the refrigerator is firmly positioned on the floor and the front is raised just enough that the door closes easily when opened about halfway.

To adjust the rollers, tilt the base grille out exposing the adjustment screws. Using an adjustable wrench, turn the two front roller adjusting screws counterclockwise to raise the refrigerator, clockwise to lower it.



ADJUSTABLE ROLLER

Turn adjusting screw counterclockwise to raise refrigerator

Reversing Door Swing

- Read instructions all the way through.
- Handle all parts with care to prevent scratching.

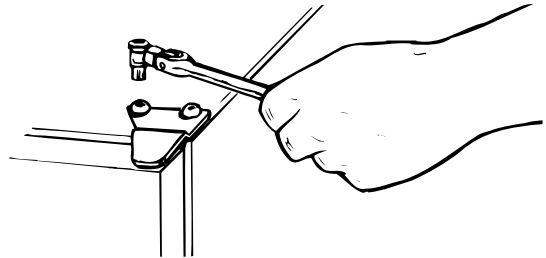
NOTE: Stainless steel door handles are NOT reversible.

TOOLS REQUIRED:

- Masking tape
 - Phillips screwdriver
 - Putty knife or thin blade screwdriver
 - Square head #2 screwdriver
 - 7/32", 5/16" and 3/8" sockets and ratchet (six point sockets are recommended)
-

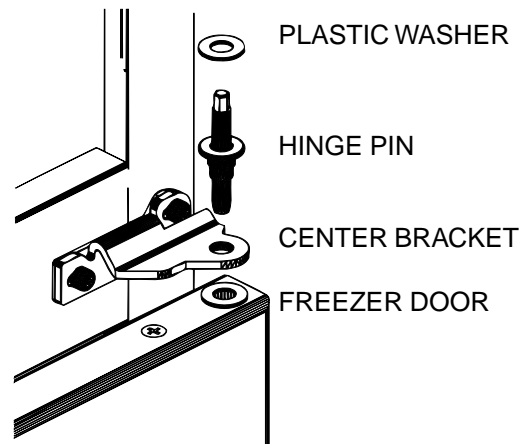
Remove Refrigerator Door (Top Door)

- * Tape the door shut with masking tape
- * Remove the hinge cover (one some models)
With a 5/15" socket, remove the two screws that hold the top hinge to the cabinet.
- * Lift the hinge straight up to free the hinge pin from the socket in the top of the door.
- * Remove tape, tilt the door away from the cabinet and lift it to free its bottom socket from the hinge pin on the center hinge bracket.
- * Set the door on a non-scratching surface with the outside up.



Remove Freezer Door (Bottom Door)

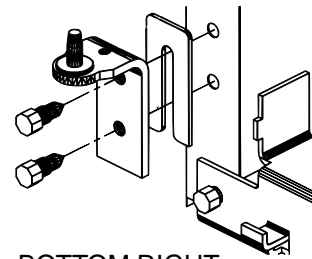
- * Tape the door shut with masking tape.
- * Remove the hinge pin with a 7/32" socket and ratchet.
- * Remove and save the washer on the hinge pin.
- * Lift the door straight up to free its bottom socket from the bottom hinge bracket.



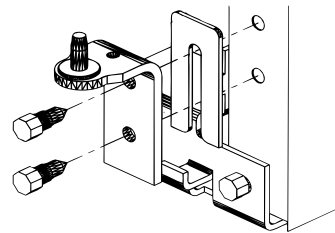
Reversing the Hardware

Transfer Bottom Hinge Bracket to the Left

- * Pull out grille 1" and set it down on the floor to gain access to hinge bracket screws.
- * Using a 3/8" socket, remove the hinge bracket, screws, plastic washer and spacer shim from the bottom right side of the cabinet.
- * Remove the plug button and screw from the bottom left side of the cabinet and install at the bottom right.
- * Reinstall the spacer shim, hinge bracket, screws and plastic washer to the bottom left side of the cabinet.



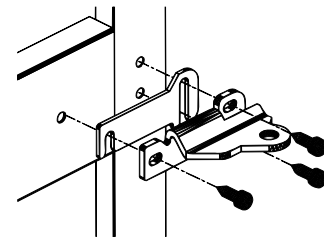
BOTTOM RIGHT



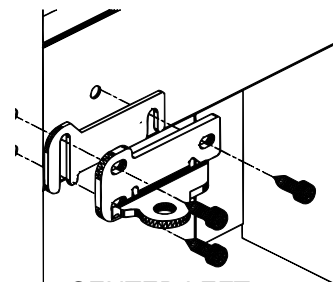
BOTTOM LEFT

Transfer Center Hinge Bracket to Left

- * Remove the center hinge bracket and shim removing the three screws. NOTE: Keep these screws with the hinge bracket. They are longer screws and will be used when installing the hinge on the other side.
- * Remove the three painted screws and take washer from the center left side of the cabinet. Screw them into the holes on the right side, which were uncovered in Step above.
- * Place the center hinge bracket and shim over the holes at the center left side of the cabinet. Insert the three screws that were removed with the center hinge bracket in Step above, and tighten securely.



CENTER RIGHT



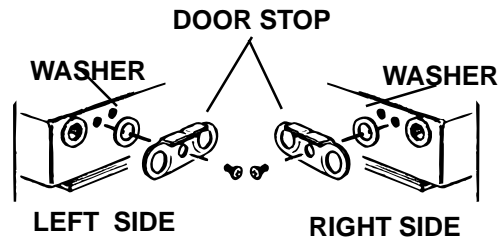
CENTER LEFT

Transfer Top Hinge to Left

- * Interchange hinge and shim at top right with two plug buttons at top left of cabinet. Do not tighten screws on hinge side at this time.

Transfer Door Stops

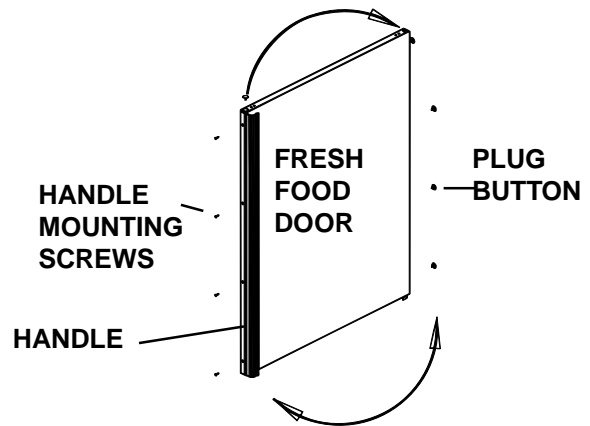
One each door remove the metal stop. Use the center hinge pin as a guide to align the door stop on the opposite side, after reversing the handles.



REVERSING DOOR HANDLES

Transfer the Refrigerator Door Handle to the Right

- * Remove the four handle mounting screws.
- * Using a putty knife, remove the four screw hole plug buttons from the right side of the door.
- * Reinstall the plug buttons on the left side of the door.
- * Align the handle over the holes in the right side of the door and install the four mounting screws.
- * At the top of the door, remove the plug button using a putty knife and reinstall it in the top right hand side hole.

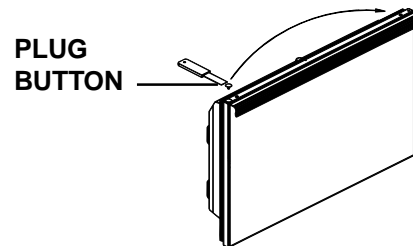


NOTE: Make sure the door stop on the bottom of the door has been transferred to the left side of the door as explained.

Prepare the Freezer Handle for Door Swing Change

On Models with a full-width freezer door handle:

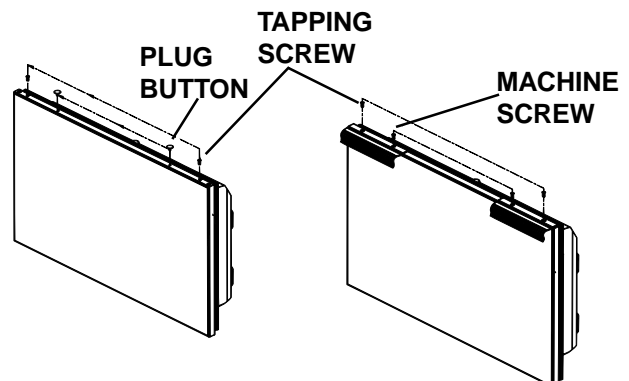
- * Simply remove the plug button from the top left corner and transfer it to the top right corner of the freezer door.



NOTE: make sure the door stop on the bottom of the door has been transferred to the left side of the door as explained above.

On Models with a partial-width freezer door handle:

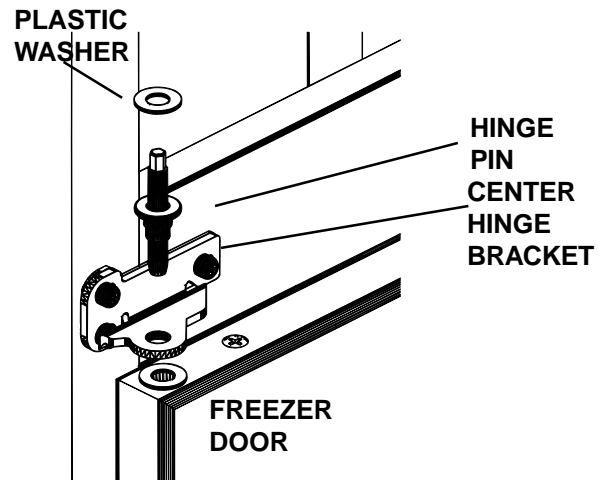
- * Remove the plug button and screw from the top right hand side of the door. Remove the two screws from the handle.
- * Install the machine screw in the hole that is closest to the center of the door. Reinstall the screw and plug button to the top left hand side of the door.



REVERSING DOOR THE DOOR SWING

Rehang Freezer Door

- * Lower bottom socket of freezer door onto bottom hinge bracket. Be sure washer is in place.
- * Tilt door toward cabinet and gently push door under center hinge bracket and align with the hole in the center hinge bracket.
- * Reinstall hinge pin with a 7/32" socket and ratchet so it extends through a hole in center hinge bracket and into socket on top of freezer door.



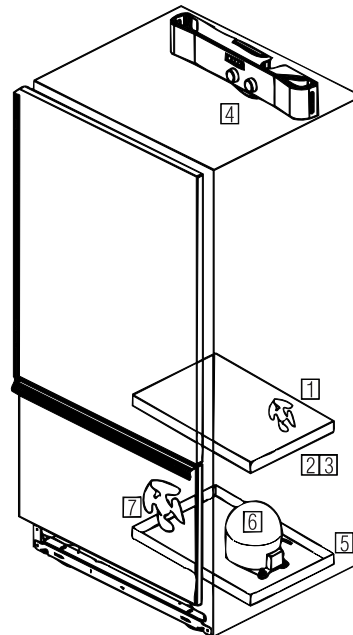
Rehang Refrigerator Door

On Models with a full-width freezer door handle:

- * Lower bottom socket of the refrigerator door onto center hinge pin. Be sure washer is in place.
- * Tilt door toward cabinet, lifting the top hinge so the pin fits into the socket on top of the door.
- * Tighten the top hinge screws after supporting the door on the handle side and ensuring the gap between the doors is even all across the front.

Normal Operating Sounds.

1. Evaporator fan: Air being forced through the cabinet.
2. Evaporator: Flow of refrigerant may create a boiling or gurgling sound.
3. Defrost heater: During defrost cycles, water dripping on the heater may cause a hissing or sizzling sound. After defrosting, a popping sound may occur and the evaporator may create a boiling or gurgling sound.
4. Cold Control and Defrost Timer: Snapping sound or timer sound like a clock.
5. Water pan: Water may be heard running into the drain pan during the defrost cycle.
6. Compressor: High pitched hum, or pulsating sound.
7. Condenser Fan: Air forced over condenser by fan.



COMPONENT SERVICABILITY

FRESH FOOD AND FREEZER DOORS

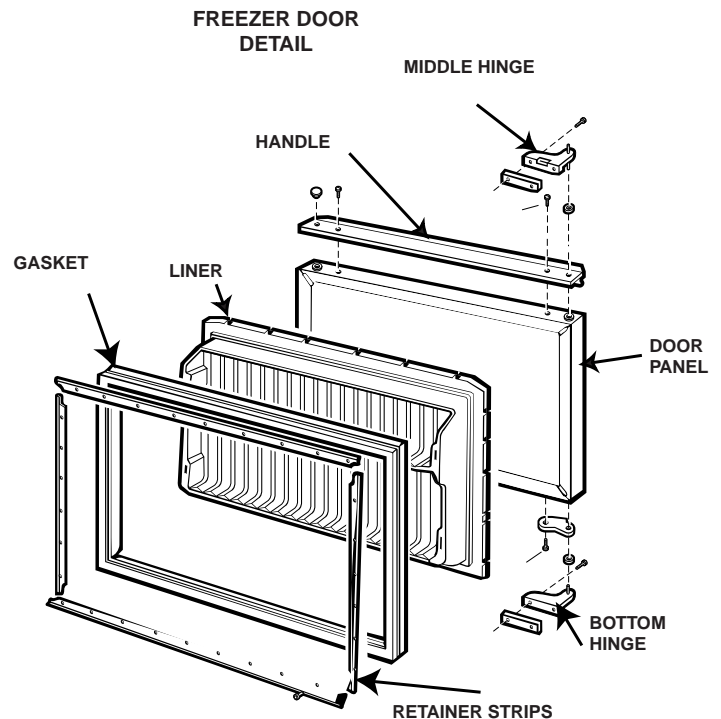
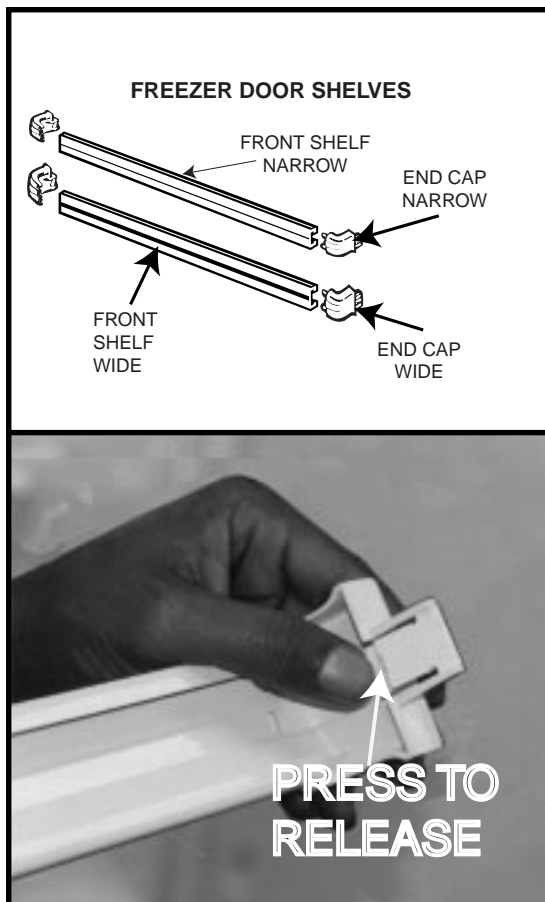
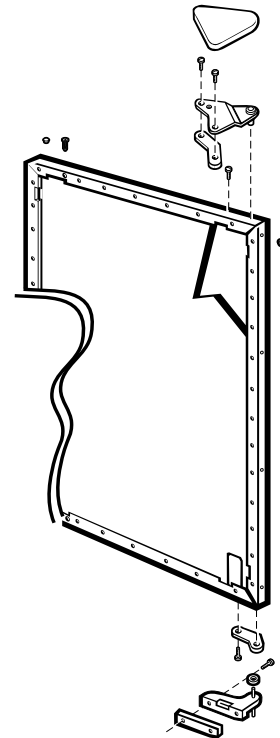
Doors are basic in construction consisting of steel external panels, with foamed in insulation, plastic liner, shelves (narrow and wide), with endcaps. Door gasket is attached to door panel screws through a steel retainer strip which holds the gasket in place.

To replace door gasket:

1. Locate retainer strips and screws by pushing back gasket.
2. Remove screws.
3. Replace with new gasket using care not to roll gasket or misalign and interfere with door closing operation.
(If gasket is leaking air, apply petroleum jelly to gasket to lubricate, and soften if gasket is otherwise in good condition)

SHELVES

Shelves are mounted by attaching the shelf and endcap assembly to the door liner in the appropriate slots. The release on the endcaps is accomplished by releasing a plastic tab on the inside of the left and right endcap on each shelf (see below)



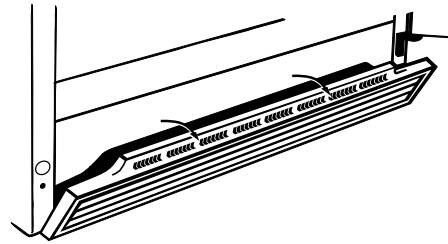
COMPONENT SERVICABILITY

ADJUSTING ROLLERS

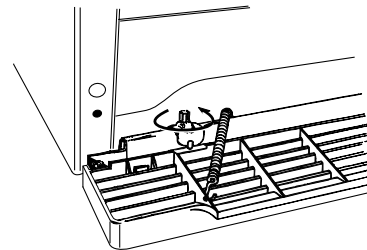
The leveling systems includes adjustable legs at front corners which are turned clockwise to raise the refrigerator and counterclockwise to lower it.

To adjust rollers:

1. The base grille shown in illustration is held in place by a spring, tilt the base grille out exposing the adjustment screws.
 2. Using an adjustable wrench, turn the two front rollers adjusting screws counterclockwise to raise the refrigerator, and clockwise to lower it.
- Refrigerator should have the front raised enough so that the doors will close easily when opened half way.



**PULL BASE GRILLE FROM THE TOP
(IT IS SPRING LOADED)**



**ADJUST ROLLERS
(COUNTERCLOCKWISE TO RAISE,
CLOCKWISE TO LOWER)**

OPERATING REQUIREMENTS

Install in an area that has temperature of a range of 60°F to 105°F or the refrigerator will not run enough to maintain temperature.

Following clearances are required:

Side 1/2"

Top 1"

*Back 0"

*Metal cover on back gives adequate clearance when touching wall. (1 1/4")

Refrigerator should be plugged into its own individual 15 amp/120V circuit.

COMPONENT SERVICABILITY

AIRFLOW

Fresh Food Compartment

Cold air from the evaporator in under the fresh food floor is sent up a channel to the fresh food compartment and circulated as mixed air. It then falls through the fresh food compartment until it is drawn in the air return duct at the front of the fresh food floor. The warmer air and moisture is then drawn past the evaporator by the evaporator fan and starts the cycle again.

Freezer Compartment

Air is drawn by the evaporator fan, past the evaporator and circulated into the lower freezer compartment. The warmer air and moisture is then drawn by the evaporator fan through the air duct back past the evaporator to continue the cycle.

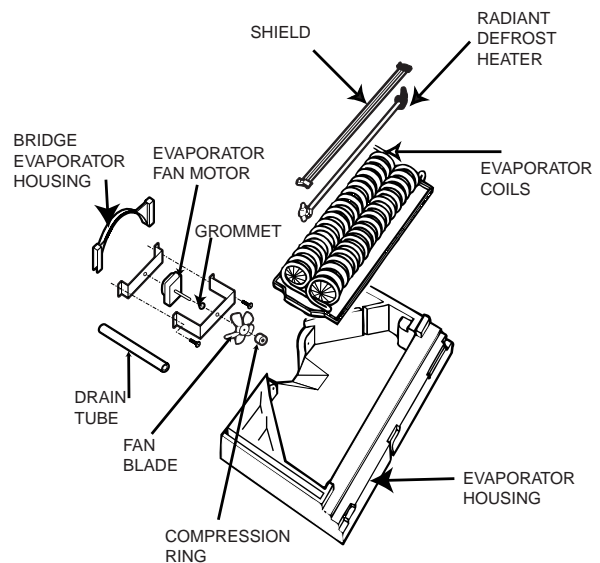
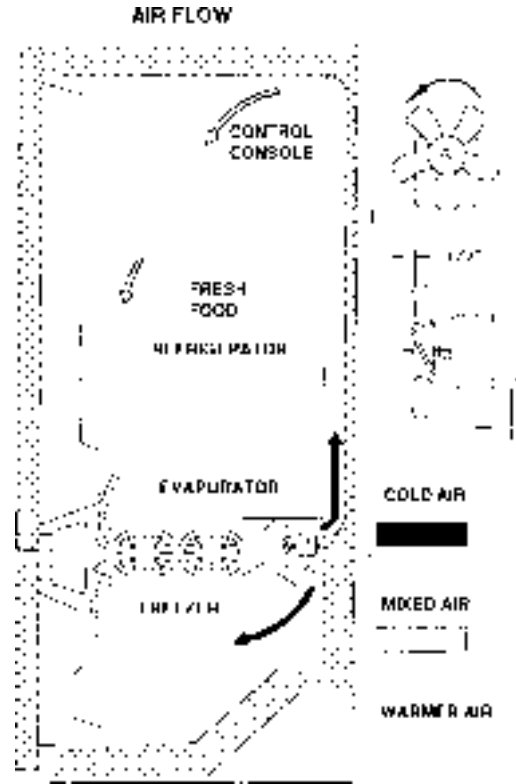
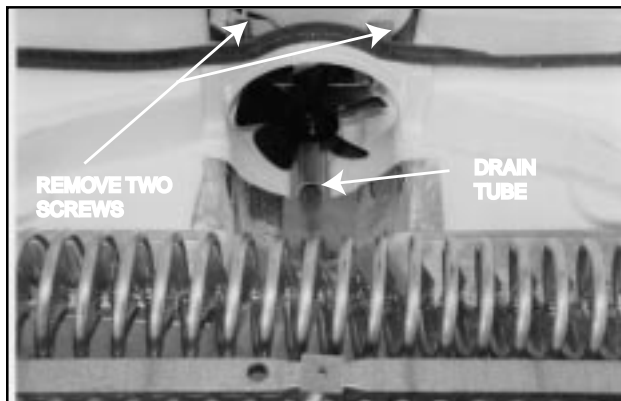
EVAPORATOR FAN

The position of the evaporator fan in relation to the opening is critical and must be no more than **1/2"** from the end of the fan shaft. Fan blade rotation is counterclockwise.

The fan is mounted inside a duct that pulls air across the evaporator coils.

To remove the evaporator fan:

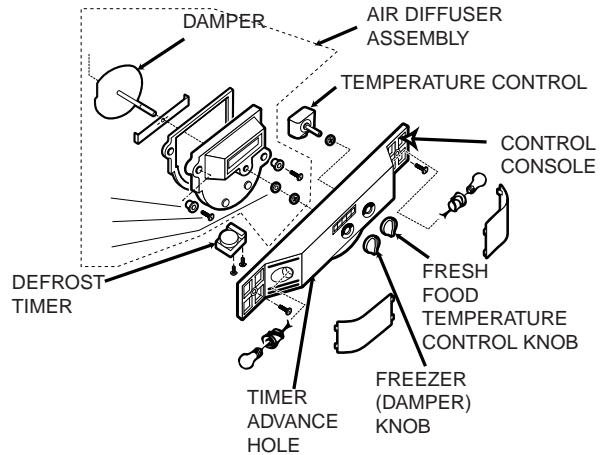
1. Remove four screws from evaporator cover (fresh food floor)
2. Remove evaporator heat shield.
3. Remove two screws from evaporator bracket
4. Disconnect harness to motor connections.
5. Remove motor
6. Reverse procedure to reassemble.



COMPONENT SERVICABILITY

CONTROL CONSOLE

Control console is mounted at top rear of the fresh food compartment. It covers the damper assembly, and houses the fresh food and freezer controls. A jumper hole is provided on the left side underneath to advance the timer should diagnostics be required. The damper assembly is located directly behind the console. In the fresh food compartment, a light is located at each end of the console, activated by a reed switch in the bottom of the fresh food compartment (underneath the air return channel). Reed switch is activated by a magnet located in the lower inside of the door liner. Door liner must be removed to replace magnet.



To remove console:

1. Remove light bulb shields and bulbs
2. Remove two Phillips screws (one on either end)
3. Remove air damper knob.
4. Unhook harness quick disconnect by depressing latch. (7 pin connector)
5. Reverse to reassemble.

NOTE: The cold control is fresh food sensing.

With Control Console removed:

TIMER:

You can access the timer by removing knob, two 1/2" screws and harness connections.

TEMPERATURE CONTROL

Remove knob and harness connections.

LAMPS

Remove light sockets with console removed.



AIR DAMPER (diffuser)

Air damper (diffuser) is a very simple plastic disk mounted to a shaft and housing assembly. Adjusting the knob on the control console adjust the amount of air flow through the damper. Damper is not round, and shape allows varying amounts of air to pass, based on knob to damper position.

With control console removed:

1. Remove two screws from either side, and pull away from cabinet wall.
2. Reverse to reinstall.



COMPONENT SERVICABILITY

DEFROST SYSTEM

The defrost heater is a radiant tube type located between the spiral evaporator coils. Heater is covered by a metal evaporator heater shield, and has two metal tabs (one on either end) that hold the shield and heater in place. Heater is a WR51M289 and should only be replaced with the correct heater. The heater is connected at both ends with a blade type connector, in the harness. Heater resistance is 30.2 ohms. Defrost thermostat is located in the front of the evaporator

To remove the defrost heater:

1. Remove Fresh food floor by removing 4 screws.
2. Remove evaporator heat shield from atop the evaporator compartment.
3. With evaporator coils exposed locate two metal engagement tabs and release shield.
4. Disconnect harness connectors.
5. Remove defrost heater.
6. Reverse to reassemble.

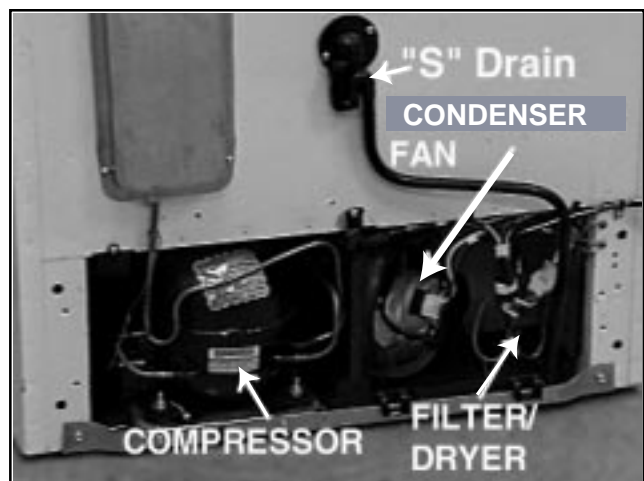
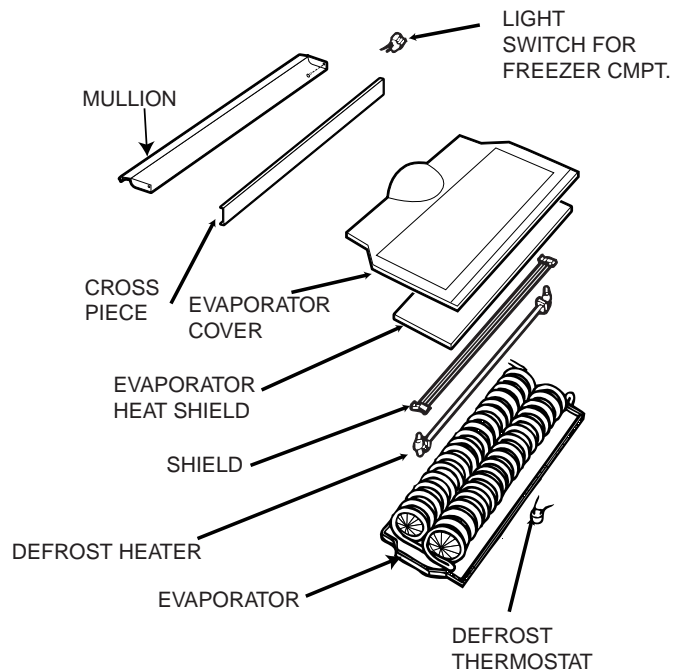
A water containment area is located underneath the evaporator and is drained through a drain tube in the back of the cabinet, just under the evaporator fan. The tube drains through a standard "S" trap and tube to the water pan in the bottom of the cabinet. The "S" trap is easily removed from the back of the refrigerator.

MACHINE COMPARTMENT

The condenser fan, located at the rear of the machine compartment, draws air through the base grille from the front of the refrigerator. Air flow then continues through the condenser picking up heat. A floor in the cabinet under the condenser and the foam gaskets on the condenser fan opening prevent air from bypassing the condenser. The rear access cover must be kept tightly attached to the cabinet to prevent air bypass. The heat exchanger cover in the back provides 1- 1/4" clearance which is adequate for ventilation for this refrigerator.

To remove the condenser fan:

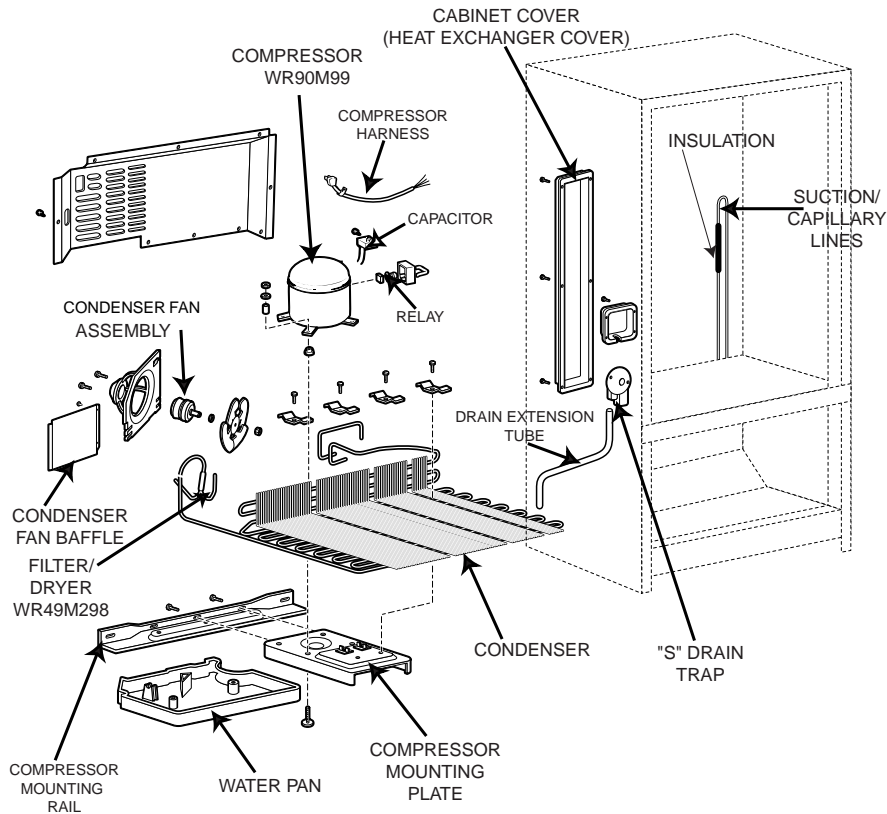
1. Disconnect harness connector to fan motor.
2. Remove three screws from fan housing to fan.
3. Remove 1/4" nut from fan blade while still in housing with motor loose.
4. Rotate motor out of condenser fan housing.
5. Reverse procedure to reinstall.



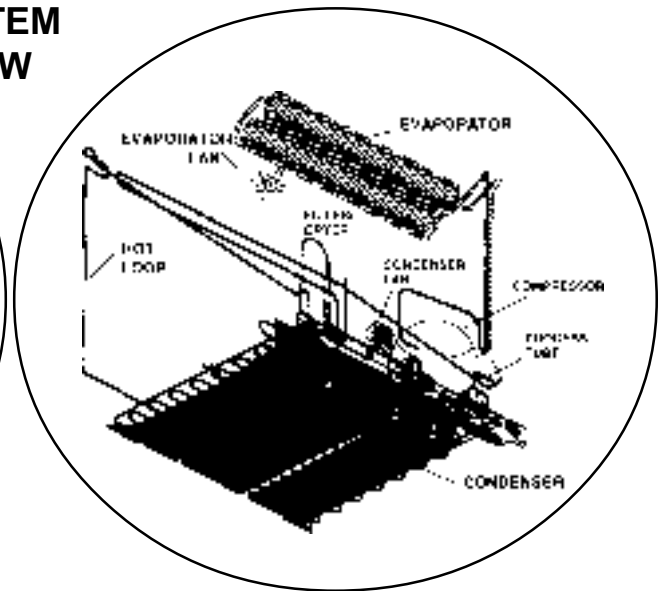
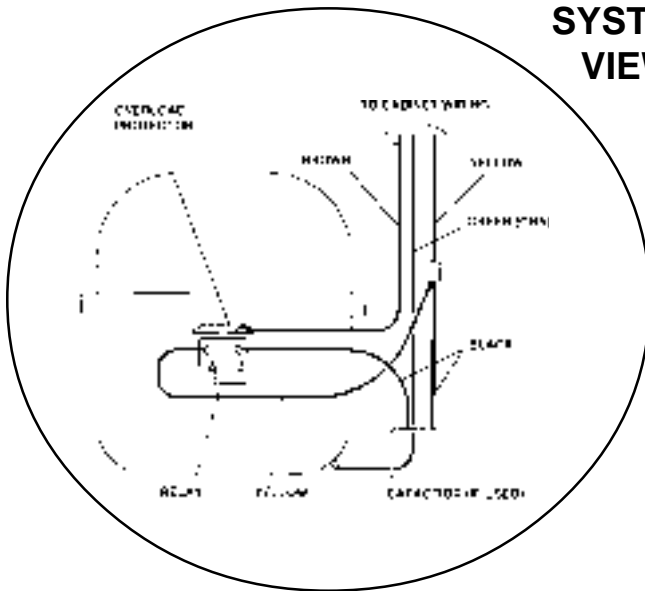
COMPONENT SERVICABILITY

REFRIGERATION SYSTEM

The refrigeration system consist of compressor, condenser fan, evaporator, evaporator fan, filter dryer, and hot loop. Components are changed individually, excepting the lines foamed in the back shown in the illustration below. Parts catalog is provided in the back of this service guide to assist in ordering those parts. The systems uses R-134a (3.5 oz.). Compressor is rated at 778 BTU/Hr. Minimum compressor capacity, vacuum 21 in. Minimum equalized pressure @70°F is 43 PSIG, @90°F-50 PSIG.



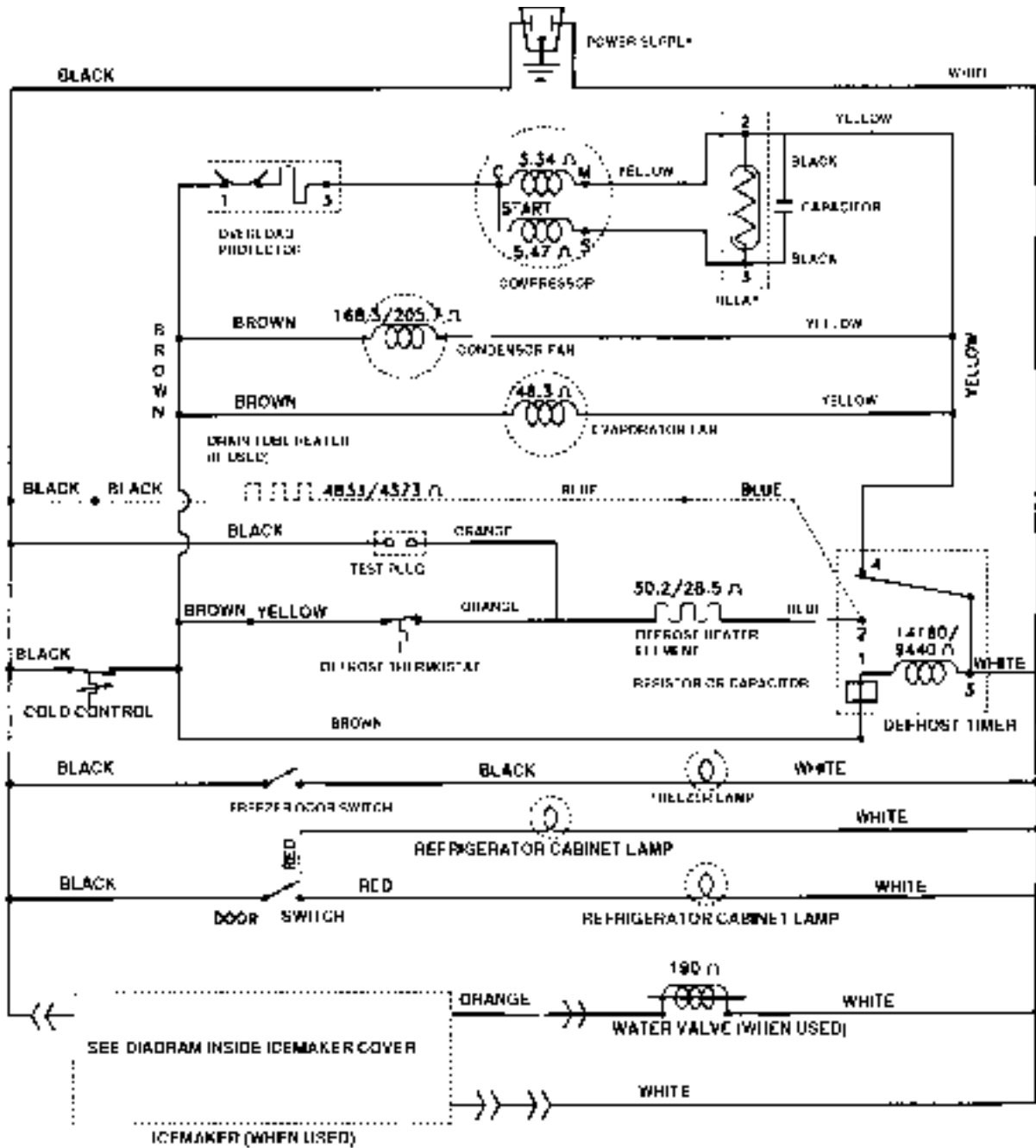
SYSTEM VIEW



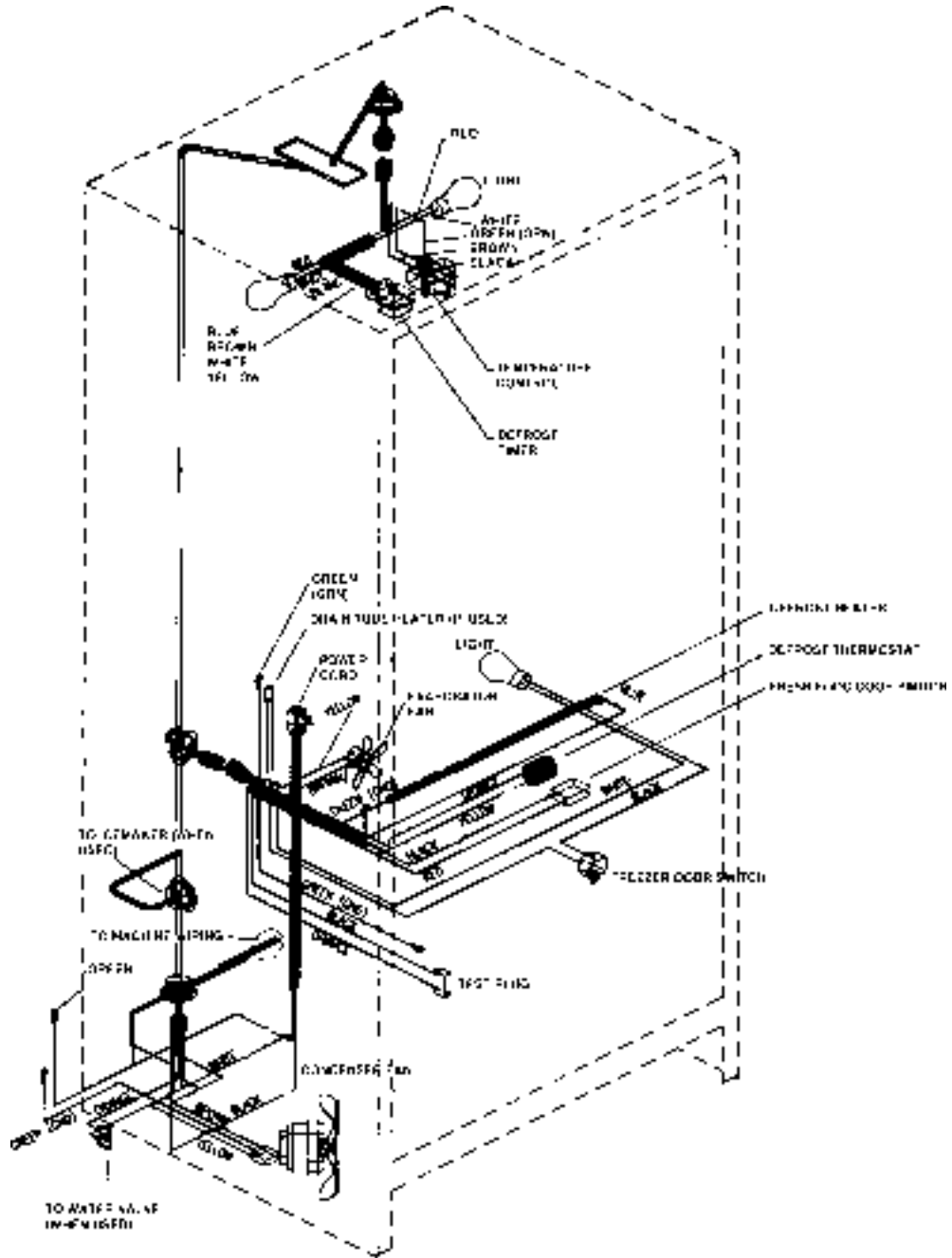
TROUBLESHOOTING:

Crushed Ice Dispenser filling with cubes	Reduce fill time to prevent cubes from being too strongly joined together.
Leaks or sweats at gasket	Make sure door seal retainer screws are driven down completely.
Rattling noise from evaporator	Place a slight pressure on air duct cover, if the noise stops, it is the air duct cover. Dissassemble the cover and make sure that the wiring harness is not loose but clipped in place. Tightening the screws may stop the noise.
Ice/Water Dispenser doesn't work	Check electrical connections at the top hinge. Check water tube through the hinge for pinching or binding.
"Popping Noise" at fresh food door when closing	Adjust the door so that the roller mechanism hits the pivot closure mechanism in the center. Door should be adjusted using turning the hinge pin.
No cool, interior moisture	This model has a gallon size bottom shelf in the freezer, the size occasionally causes the door to be held slightly in the open position. Customer ed.
Compressor fails to start	Check line voltage-if adequate: DIRECT START TEST: -Compressor too hot -Line voltage too low -Relay malfunctioning -Overload inoperative -Refrigeration system restricted -Motor windings open or shorted -Compressor mechanically stalled
Refrigerator won't operate	In defrost cycle, takes about 40 minutes to complete
Motor operates for long periods	If first day of use it's normal, wait 24 hours to stabilize. Condenser and grille need cleaning
Door not closing properly	Door gasket on hinge side sticking or folding over, apply petroleum jelly on the face.

SCHEMATIC

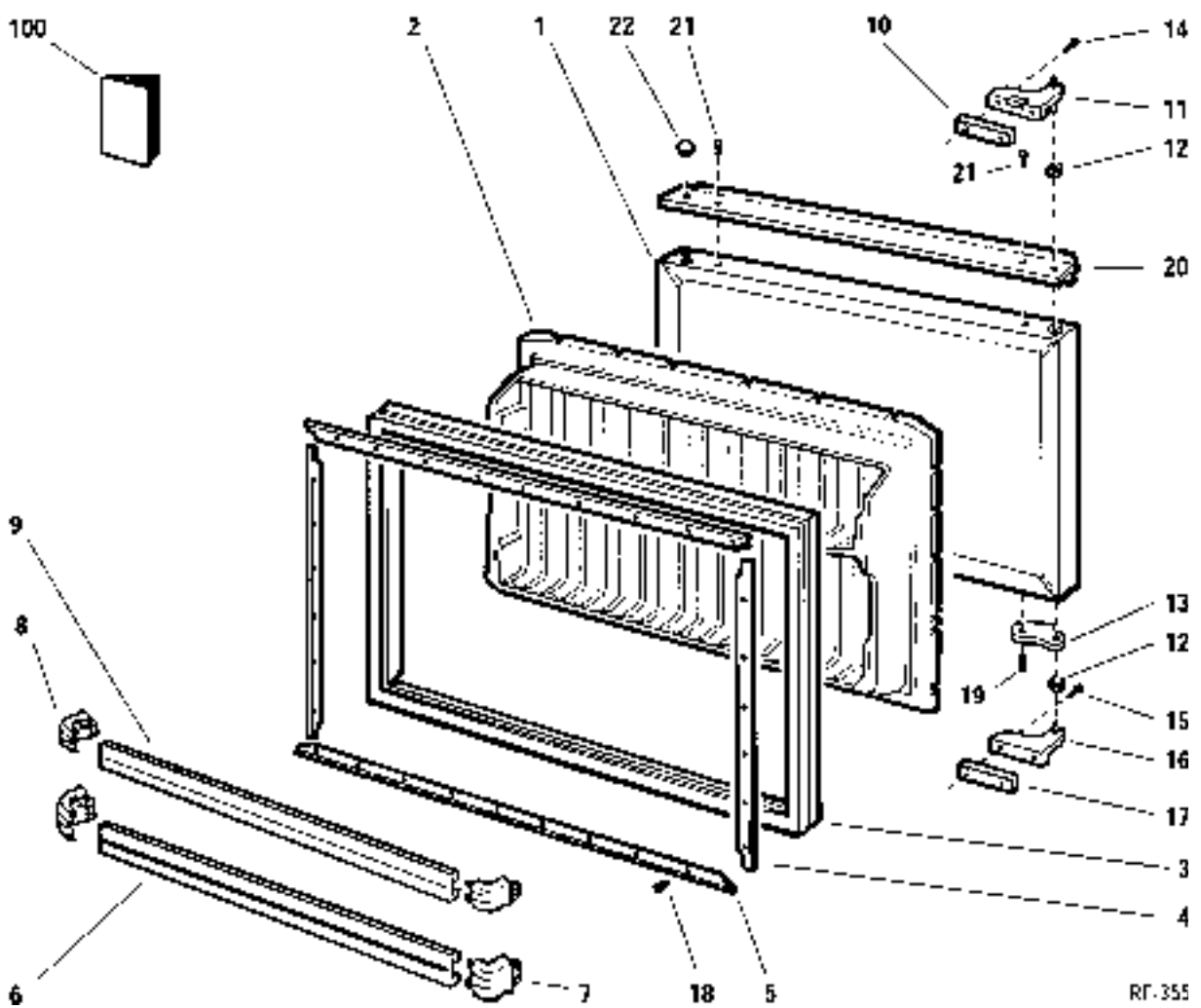


WIRING DIAGRAM



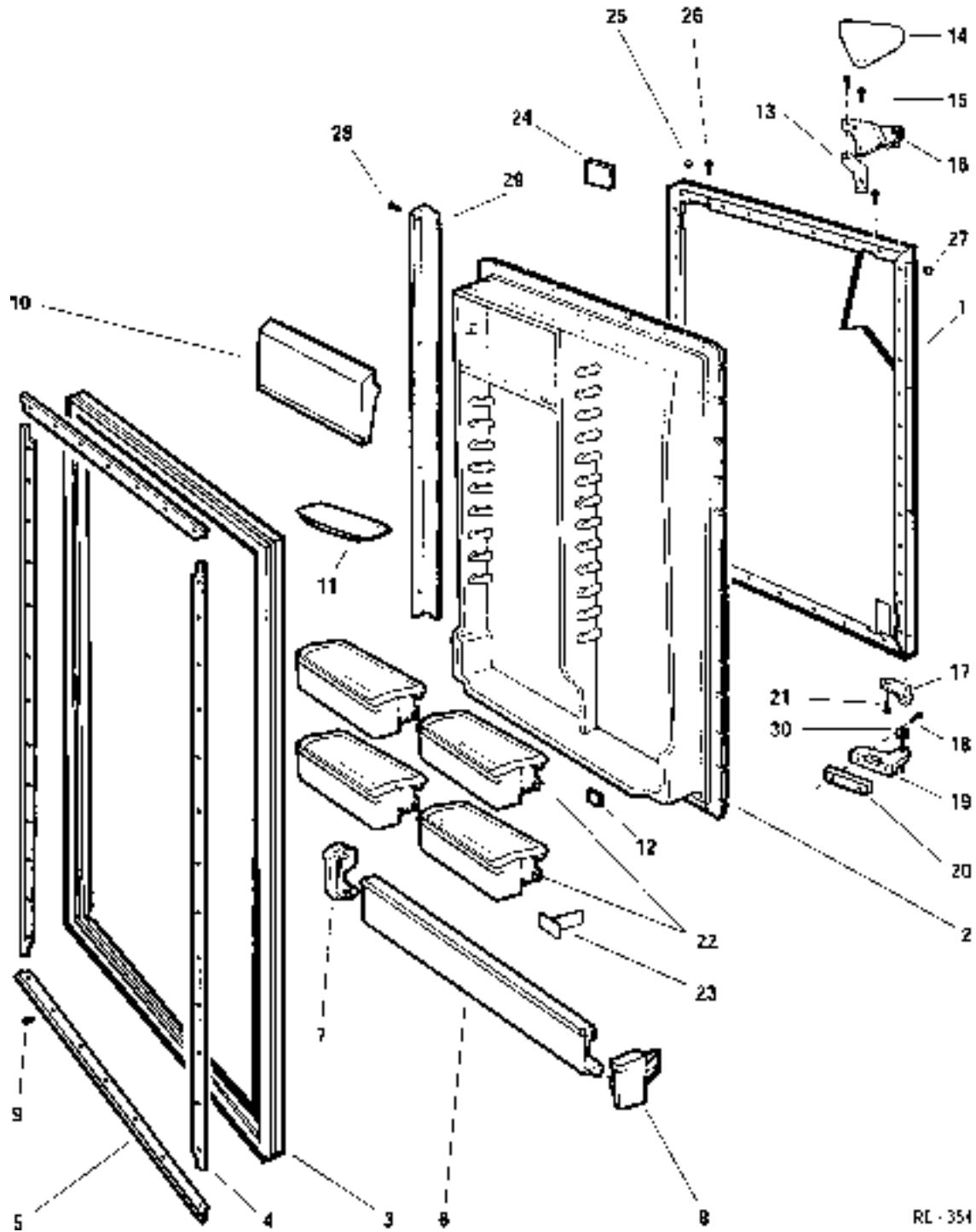
EXPLODED DIAGRAMS AND PARTS

TCX18IACBRWW, TCX18PACBRWW, TCX18PACBRBB, TCX18PACBRAA



RF-355

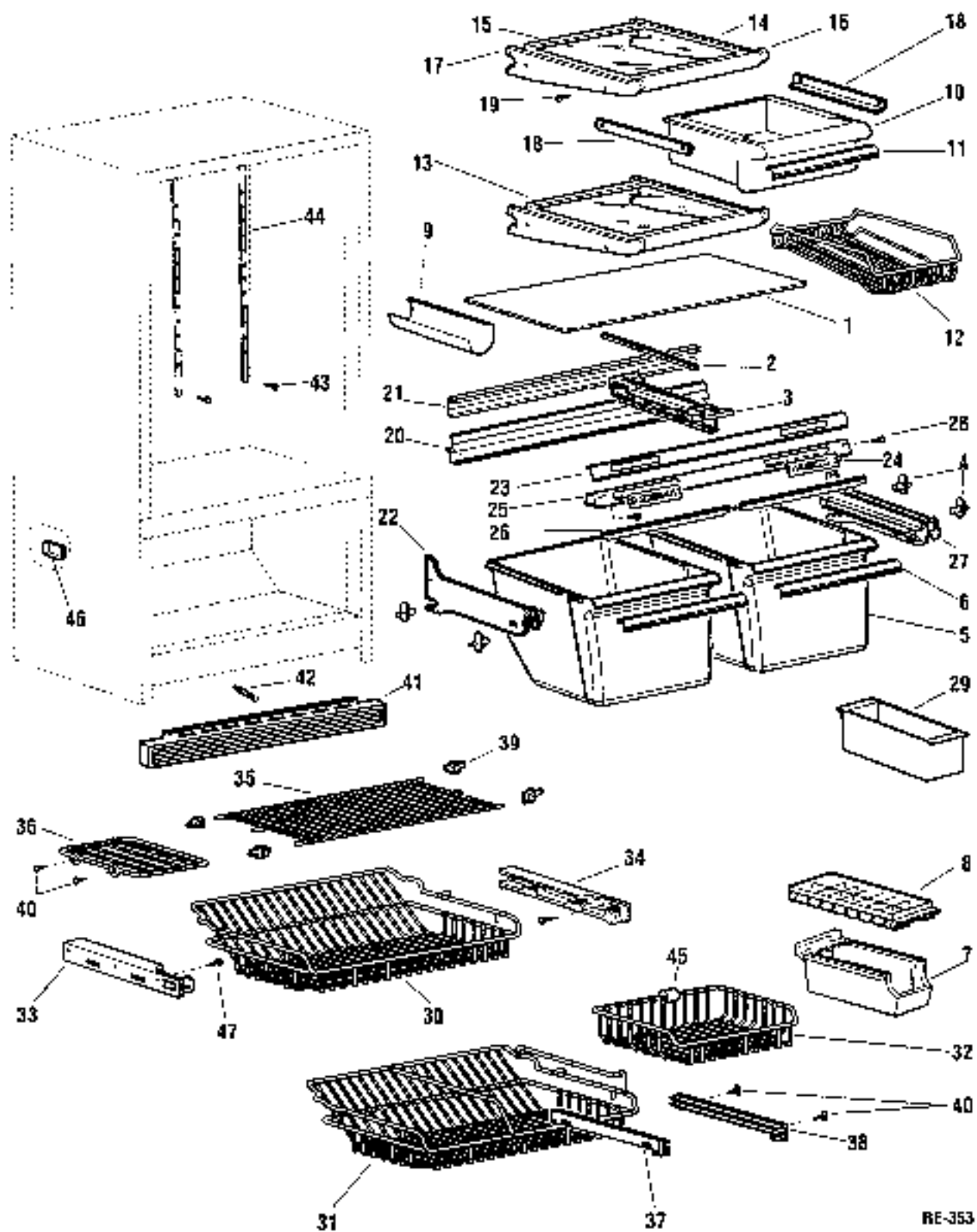
TCX18IAGRW, TCX18PACRW, TCX18PACRBB, TCX18PACRAA



RL - 354

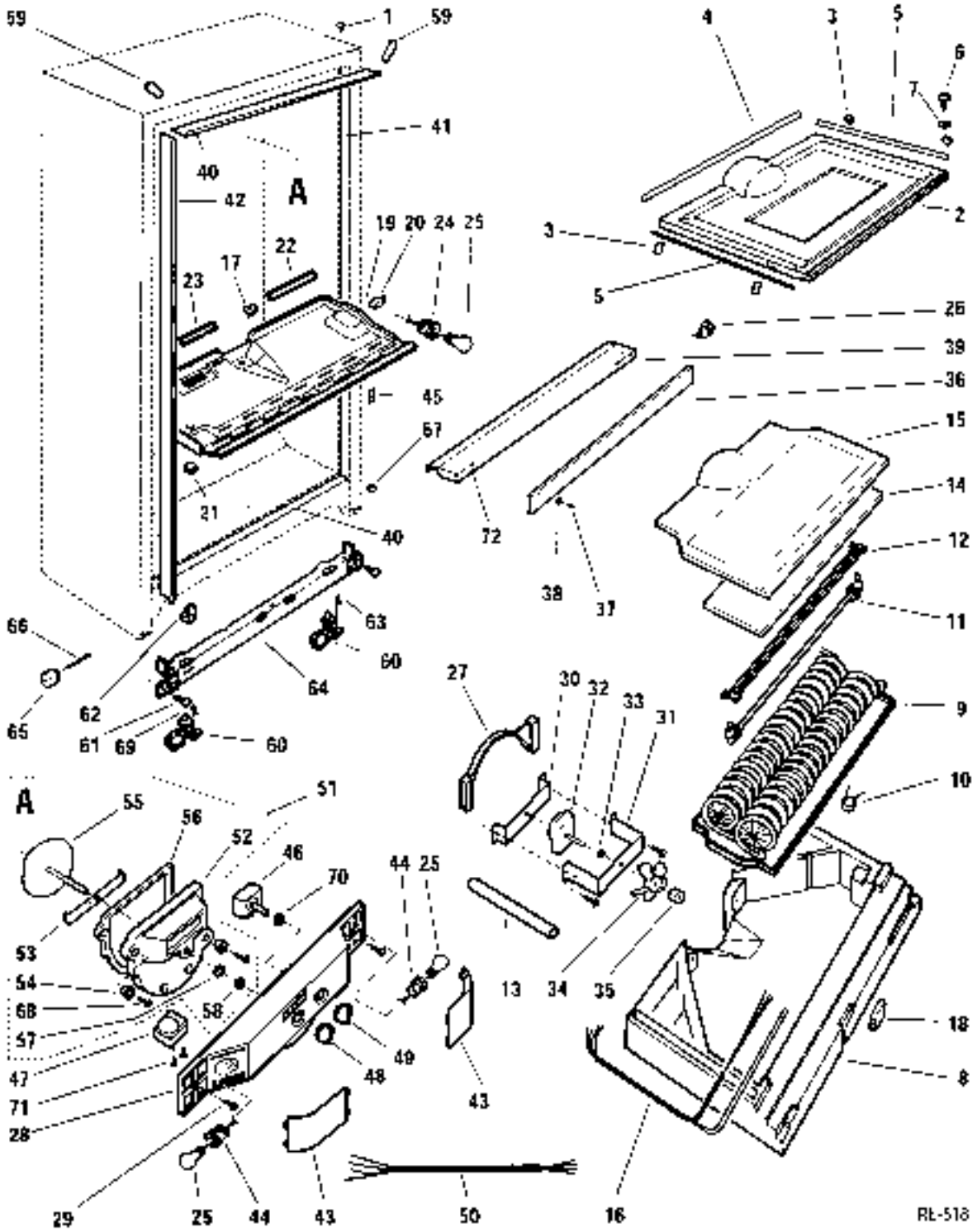
REFRIGERATOR DOOR							
1. TCX18IACBRWW		2. TCX18PACBRWW		3. TCX18PACBRBB		4. TCX18PACBRAA	
ITEM	PART NUMBER	DESCRIPTION	Alt	1	2	3	4
1A	WR78M5707	Panel, door (white)		1	1		
1B	WR78M5708	Panel, door (almond)					1
1C	WR78M5714	Panel, door (black)				1	
1D	WR2M2090	Bearing	2				
2	WR7M432	Lineal	1				
3A	WR24M220	Gasket (white)		1	1	1	1
3B	WR24M231	Gasket (black)				1	
4	WR2M2209	Strip, retainer - side	2				
5	WR2M2300	Strip, retainer - top & bottom	2				
6	WR71M827	Front, shelf (wide)	1				
7	WR2X9295	End cap - L.H. (wide)	1				
8	WR2X9296	End cap - R.H. (wide)	1				
9	WR1M627	Screw	40				
10A	WR22M415	Door, dairy	1				
10B	WR38M1020	Trim, dairy door (grey)	1				
11	WR19M101	Dish, butter	1				
12	WR1M882	Magnet, light switch	1				
13A	WR2M3344	Shim, top hinge (black)				1	
13B	WR2M1220	Shim, top hinge (white)				1	1
14A	WR2M1783	Cover, hinge (white)		1	1		
14B	WR2M1784	Cover, hinge (almond)					1
14C	WR2M3347	Cover, hinge (black)				1	
15	WR1M399	Screw	2				
16	WR13M183	Hinge, top	1				
17A	WR13M214	Door stop		1	1		1
17B	WR13M217	Door stop (black)				1	
18	WR1M632	Screw	2				
19A	WR13M205	Hinge, center		1	1		1
19B	WR13M219	Hinge, center (black)					1
20A	WR2M2296	Shim		1	1		1
20B	WR2M3345	Shim (black)				1	
21	WR1M542	Screw	1				
22	WR71M922	Parts bin (grey)	4				
23	WR2M3241	Brugger	1				
24A	WR3M470	Nameplate (GE)				1	1
24B	WR3M471	Nameplate (GF)		1			1
25A	WR2M3299	Plug, thimble (white)		1	1		
25B	WR2M3300	Plug, thimble (almond)					1
25C	WR2M3346	Plug, thimble (black)					1
26	WR1X5475	Screw	3				
27A	WR2X8893	Beauty button (white)		4	4		
27B	WR2X8897	Beauty button (almond)					4
27C	WR2X8701	Beauty button (black)					4
28A	WR1M689	Screw, handle (white)		4	4		
28B	WR1M686	Screw, handle (almond)					4
28C	WR1M684	Screw, handle (black)					4
29A	WR12M902	Handle (FF) (white)		1	1		
29B	WR12M908	Handle (FF) (almond)					1
29C	WR12M904	Handle (FF) (black)					1
				1	2	3	4

TCX18IACBRWW, JCX18PACBRWW, TCX16PACBRBB, TCX16PACBRAA



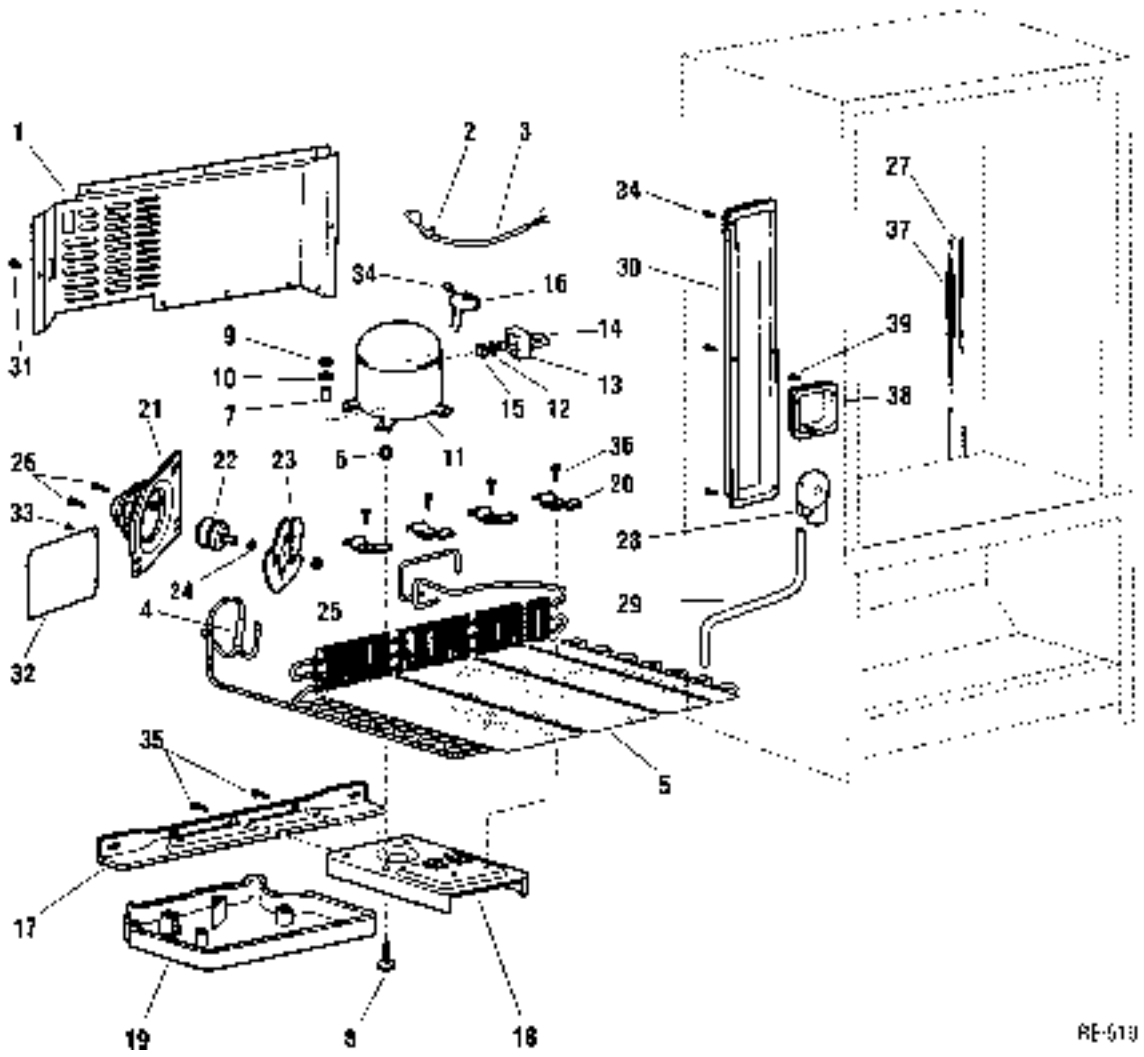
RE-353

CABINET GROUP							
1. TCX18IACBRWW		2. TCX18PACBRWW		3. TCX18PACBRBB		4. TCX18PACBRAA	
ITEM	PART NUMBER	DESCRIPTION	All	1	2	3	4
1	WR32M506	Cover, glass	1				
2	WR2M3335	Gasket, center	1				
3	WR2M3328	Slide center	1				
4	WR2M3332	Support, slides	4				
5	WR32M514	Pan, crisper	2				
6	WR38M1019	Trim, vegetable pan (grey)	2				
7	WR30M148	Bucket, ice	1				
8	WR30M111	Tray, ice	2				
9		Not used					
10	WR32M516	Pan, deli	1				
11	WR38M1018	Trim, deli pan (grey)	1				
12A	WR30M164	Rack, pop can			1	1	1
12B	WR14M10	Gasket			1	1	1
13A	WR71M923	Shelf, fixed spillproof			2	2	2
13B	WR71M925	Shelf, slideout			2	2	2
14	WR71M921	Frame, half shelf		4			
15	WR32M509	Glass, half shelf		4			
16	WR38M1008	Trim, half shelf		4			
17	WR38M1015	Roar trim, half		4			
18	WR2M3329	Slide	2	4	4	4	4
19	WR1M571	Screw	4	8	8	8	8
20	WR2M3398	Rail, rear	1				
21	WR2M3333	Gasket, rear	1				
22	WR2M3330	Slide - L.H.	1				
23	WR38M1017	Trim, front	1				
24	WR2M3340	Slide, humidity	2				
25	WR2M3397	Rail, front	1				
26	WR2M3334	Gasket, front	2				
27	WR2M3391	Slide - R.H.	1				
28	WZ4X244	Screw	4				
29	WR92X897	Bucket, utility		1	1	1	
30	WR71M931	Basket, single (FZ)		1			
31	WR71M929	Basket, double (FZ)			1	1	1
32	WR71M830	Basket, small (FZ)			1	1	1
33	WR2M3379	Slide - L.H., basket	1				
34	WR2M3380	Slide - R.H., basket	1				
35	WR17M234	Shelf, flat (FZ)	1				
36	WR17M235	Shelf, mini (FZ)	1				
37	WR2M3377	Slide - L.H., small basket			1	1	1
38	WR3M3978	Slide - R.H., small basket			1	1	1
39	WR2M97D	Support, shelf (FZ)		1			
40	WZ4X244	Screw	4				
41A	WR2M2086	Panel, kick (black)				1	
41B	WR2M2193	Panel, kick (white)		1	1		
41C	WR2M3357	Panel, kick (almond)					1
42	WR2M1676	Spring	2				
43	WR1M595	Screw, channel	6				
44	WR2M1884	Channel	3				
45	WR2M3981	Bumper, basket upper			1	1	1
				1	2	3	4



SYSTEM GROUP 1									
1. TCX18IACBRWW		2. TCX18PACBRWW		3. TCX18PACBRBB		4. TCX18PACBRAA			
ITEM	PART NUMBER	DESCRIPTION			All	1	2	3	4
1A	WR2M1787	Plug, top (white)				2	2		
1B	WR2M1774	Plug, top (almond)							2
1C	WR2M3349	Plug, top (black)						2	
2	WR17M231	Liner, bottom (FFJ)(white)			1				
3	WR2M1902	Support, liner			4				
4	WR14M9	Gasket, inner rear			1				
5	WR14M8	Gasket, inner side			2				
6	WR1M686	Screw, liner			4				
7	WR1M650	Washer, nylon			4				
8	WR17M238	Evaporator housing asm.			1				
9	WR49M300	Evaporator			1				
10	WR9M417	Thermostat, defrost			1				
11	WR61M289	Heater, defrost			1				
12	WR2M1737	Shield			1				
13	WR2M3396	Tube, drain			1				
14	WR2M1807	Heat shield, evaporator			1				
15	WR2M3374	Cover, evaporator			1				
16	WR23M140	Harness divider			1				
17	WR2M3382	Plug, evaporator housing			1				
18	WR2X334	Switch, lamp reed (FF)			1				
19A	WR17M232	Liner, top (FZ)			1				
19B	WR1M677	Screw, inner			6				
20A	WR2M3072	Support, liner front			3				
20B	WR2M2239	Support, liner rear			3				
21	WR2M3373	Plug, test			1				
22	WR14M6	Deflector, air - R/H			1				
23	WR14M7	Deflector, air - L/H			1				
24	WR2X9391	Socket, light			1				
25	40A15SC	Bulb, light			3				
26	WR23M137	Switch, light (FZ)			1				
27	WR2M3231	Bridge, evaporator housing			1				
28	WR17M226	Housing, control temperature			1				
29	WZ4X244	Screw			2				
30	WR2M3221	Bracket, rear - fan			1				
31	WR2M3220	Bracket, front - fan			1				
32	WR60X203	Motor, evaporator fan			1				
33	WR2X7991	Grommet			2				
34	WR60M127	Blade, fan			1				
35	WR60M237	Hing, compression			1				
36A	WR2M3323	Crosspiece (white)				1	1		
36B	WR2M3324	Crosspiece (almond)							1
36C	WR2M3361	Crosspiece (black)						1	
37A	WR1M679	Screw (white)				4	4		
37B	WR1M680	Screw (almond)							4
37C	WR1M681	Screw (black)						4	
38A	WR1M650	Washer, nylon				4	4		4
38B	WR1M689	Washer, nylon (black)						4	
39	WR49M299	Nuffion			1				
40	WR40M435	Strip, breaker - top & bottom			2				
						1	2	3	4

TCX18LACBRWW, TCX18PACBRWW, TCX18PACBRBB, TCX18PACBRAA



RE-619

