

VIKING

SERVICE MANUAL

DMOS200
CDMOS200
VMOS200
CVMOS200

S72M194DMOS2E



(DMOS200 model shown)

MICROWAVE OVEN

MODELS

DMOS200
CDMOS200
VMOS200
CVMOS200

In the interest of user-safety the oven should be restored to its original condition and only parts identical to those specified should be used.

WARNING TO SERVICE PERSONNEL: Microwave ovens contain circuitry capable of producing very high voltage and current. Contact with the following parts may result in a severe, possibly fatal, electrical shock. (Inverter unit that includes High Voltage Capacitor, High Voltage Power Transformer, High Voltage Rectifier and Heat sink etc., and Magnetron, High Voltage Harness etc..)

TABLE OF CONTENTS

	Page
PRECAUTIONS TO BE OBSERVED BEFORE AND DURING SERVICING TO AVOID POSSIBLE EXPOSURE TO EXCESSIVE MICROWAVE ENERGY	INSIDE FRONT COVER
BEFORE SERVICING	INSIDE FRONT COVER
WARNING TO SERVICE PERSONNEL	2
MICROWAVE MEASUREMENT PROCEDURE	3
FOREWORD AND WARNING	5
PRODUCT SPECIFICATIONS	6
GENERAL INFORMATION	6
OPERATION	8
TROUBLESHOOTING GUIDE	12
TEST PROCEDURE	14
TOUCH CONTROL PANEL ASSEMBLY	24
COMPONENT REPLACEMENT AND ADJUSTMENT PROCEDURE	31
PICTORIAL DIAGRAM	37
POWER UNIT CIRCUIT	38
LSI UNIT CIRCUIT	39
PRINTED WIRING BOARD	40
PARTS LIST	41
PACKING AND ACCESSORIES	45

VIKING
Range Corporation

111 Front St., Greenwood, MS 38930

Tel: (888) 845-4641

This document has been published to be used for after sales service only.

The contents are subject to change without notice.

PRECAUTIONS TO BE OBSERVED BEFORE AND DURING SERVICING TO AVOID POSSIBLE EXPOSURE TO EXCESSIVE MICROWAVE ENERGY

- (a) Do not operate or allow the oven to be operated with the door open.
- (b) Make the following safety checks on all ovens to be serviced before activating the magnetron or other microwave source, and make repairs as necessary: (1) interlock operation, (2) proper door closing, (3) seal and sealing surfaces (arcing, wear, and other damage), (4) damage to or loosening of hinges and latches, (5) evidence of dropping or abuse.
- (c) Before turning on microwave power for any service test or inspection within the microwave generating compartments, check the magnetron, wave guide or transmission line, and cavity for proper alignment, integrity, and connections.
- (d) Any defective or misadjusted components in the interlock, monitor, door seal, and microwave generation and transmission systems shall be repaired, replaced, or adjusted by procedures described in this manual before the oven is released to the owner.
- (e) A microwave leakage check to verify compliance with the Federal Performance Standard should be performed on each oven prior to release to the owner.

BEFORE SERVICING

Before servicing an operative unit, perform a microwave emission check as per the Microwave Measurement Procedure outlined in this service manual.

If microwave emissions level is in excess of the specified limit, contact Viking Service immediately @ 1-888-845-4641.

If the unit operates with the door open, service person should (1) tell the user not to operate the oven and (2) contact VIKING, plus the Department Of Health, Canada and/or the Food and Drug Administration's Center for Devices and Radiological Health immediately.

Service personnel should inform VIKING of any certified unit found with emissions in excess of $4\text{mW}/\text{cm}^2$. The owner of the unit should be instructed not to use the unit until the oven has been brought into compliance.

DANGER CAUTION HIGH VOLTAGE

Do not energize a microwave oven with the outer case cabinet removed, because a microwave oven generates High Voltage in the circuit.

If you intend to operate the oven employing the high frequency switching power converter circuit, you should take special precautions to avoid an electrical shock hazard.

The high voltage transformer, high voltage capacitor and high voltage diode have energized high voltage potential approx. 8 KV.

The aluminium heat sink is connected to the switching power transistor Collector pole, and has an energized high voltage potential approx. 650V peak.

DO NOT ACCESS THE HIGH VOLTAGE TRANSFORMER, HIGH VOLTAGE CAPACITOR, HIGH VOLTAGE DIODE AND HEAT SINK WHEN THE POWER SUPPLY IS CONNECTED TO AN ELECTRICAL OUTLET.

Notes

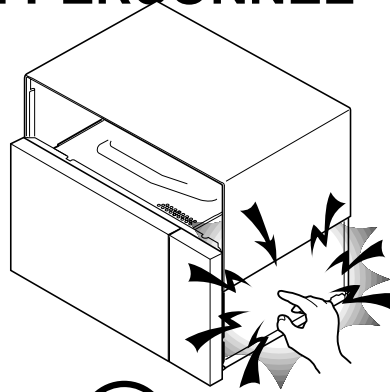
WARNING TO SERVICE PERSONNEL

Microwave ovens contain circuitry capable of producing very high voltage and current, contact with following parts may result in a severe, possibly fatal, electrical shock.

(Example)

High Voltage Capacitor, High Voltage Power Transformer, Magnetron, High Voltage Rectifier Assembly, High Voltage Harness etc..

Read the Service Manual carefully and follow all instructions.



**Don't Touch !
Danger High Voltage**

Before Servicing



1. Disconnect the power supply cord , and then remove outer case.
2. Open the door and block it open.
3. Discharge high voltage capacitor.

**WARNING: RISK OF ELECTRIC SHOCK.
DISCHARGE THE HIGH-VOLTAGE
CAPACITOR BEFORE SERVICING.**

The high-voltage capacitor remains charged about 60 seconds after the oven has been switched off. Wait for 60 seconds and then short-circuit the connection of the high-voltage capacitor (that is the connecting lead of the high-voltage rectifier) against the chassis with the use of an insulated screwdriver.

Whenever troubleshooting is performed the power supply must be disconnected. It may in, some cases, be necessary to connect the power supply after the outer case has been removed, in this event,

1. Disconnect the power supply cord, and then remove outer case.
2. Open the door and block it open.
3. Discharge high voltage capacitor.
4. Disconnect the leads to the primary of the power transformer.
5. Ensure that the leads remain isolated from other components and oven chassis by using insulation tape.
6. After that procedure, reconnect the power supply cord.

When the testing is completed,

1. Disconnect the power supply cord, and then remove outer case.
2. Open the door and block it open.
3. Discharge high voltage capacitor.
4. Reconnect the leads to the primary of the power transformer.
5. Reinstall the outer case (cabinet).
6. Reconnect the power supply cord after the outer case is installed.
7. Run the oven and check all functions.

After repairing

1. Reconnect all leads removed from components during testing.
2. Reinstall the outer case (cabinet).
3. Reconnect the power supply cord after the outer case is installed.
4. Run the oven and check all functions.

Microwave ovens should not be run empty. To test for the presence of microwave energy within a cavity, place a cup of cold water on the oven turntable, close the door and set the power to HIGH and set the microwave timer for two (2) minutes. When the two minutes has elapsed (timer at zero) carefully check that the water is now hot. If the water remains cold carry out **Before Servicing** procedure and re-examine the connections to the component being tested.

When all service work is completed and the oven is fully assembled, the microwave power output should be checked and a microwave leakage test should be carried out.

MICROWAVE MEASUREMENT PROCEDURE (CANADA)

After adjustment of the door switches are completed individually or collectively, switch test and microwave leakage test must be performed with survey instrument and test result must be confirmed to meet the requirement of the performance standard for microwave ovens as undermentioned.

A. Requirements:

Every microwave oven shall function in such a manner that when the oven is fully assembled and operating with its service controls and user controls adjusted to yield the maximum output, the leakage radiation, at all points at least 5 cm. from the external surface of the oven, does not exceed:

- 1) 1.0mW/cm² with the test load of 275 ± 15 ml of water at an initial temperature 20 ±5°C.
- 2) 5.0mW/cm² when the outer enclosure is removed with a test load of 275 ± 15 ml of water at an initial temperature 20±5°C.
- 3) 5.0mW/cm² without a test load.

B. Preparation for testing:

Before beginning the actual measurement of leakage, proceed as follows:

- 1) Make sure that the actual instrument is operating normally as specified in its instruction booklet.

Important:

Survey instruments that comply with the requirement for instrumentation as prescribed by CSA and NHW performance standard for microwave ovens must be used for testing recommended instruments are , NARDA 8100 and NARDA 8200.

- 2) Place the oven tray in the oven cavity.
- 3) Place the load of 275±15 ml of tap water initially at 20±5°C in the center of the oven cavity.
The water container shall be a low form of 600 ml beaker with an inside diameter of approx. 8.5 cm (3-1/2 in.) and made of an electrically nonconductive material such as glass or plastic.
The placing of this standard load in the oven is important not only to protect the oven, but also to insure that any leakage is measured accurately.
- 4) Set the cooking control on Full Power Cooking Mode, Close the door and select a cook cycle of several minutes. If the water begins to boil before the survey is completed, replace it with 275 ml of cool water.

C. Leakage test with enclosure installed :

- 1) Grasp the probe of the survey instrument and hold it perpendicular to the gap between the door and the body of the oven.
- 2) Move the probe slowly, not faster than 2.5 cm/sec. along the gap, watching for the maximum indication on the meter.
- 3) Check for leakage at the door screen, sheet metal seams and other accessible positions where the continuity of the metal has been breached (eg., around the switches, indicator, and vents).
While testing for leakage around the door pull the door away from the front of the oven as far as is permitted by the closed latch assembly.
- 4) Measure carefully at the point of highest leakage and make sure that the highest leakage is no greater than 4mW/cm², and that the secondary interlock switch does turn the oven OFF before any door movement.

C. Leakage test without enclosure:

- 1) Remove the enclosure (cabinet).
- 2) Grasp the probe of the survey instrument and hold it perpendicular to all mechanical and electric parts of the oven that is accessible to the user of the oven including, but not limited to, the waveguide, cavity seams, magnetron gap between the door and the body of the oven.
- 3) Move the probe slowly, not faster than 2.5 cm/sec. along the gap, watching for the maximum indication on the meter.
- 4) Measure carefully at the point of highest leakage and make sure that the highest leakage is under 5mW/cm².

CAUTION: Special attention should be given to avoid electrical shock because HIGH VOLTAGE is generated during this test

No Load test

- 1) Operate the oven without a load and measure the leakage by the same method as the above test procedure " Leakage test with enclosure installed"
2. Make sure that the highest leakage should not exceed 5mW/cm².

NOTE: After servicing, record data on service invoice and microwave leakage report.

MICROWAVE MEASUREMENT PROCEDURE (USA)

A. Requirements:

- 1) Microwave leakage limit (Power density limit): The power density of microwave radiation emitted by a microwave oven should not exceed 1 mW/cm^2 at any point 5cm or more from the external surface of the oven, measured prior to acquisition by a purchaser, and thereafter (through the useful life of the oven), 5 mW/cm^2 at any point 5cm or more from the external surface of the oven.
- 2) Safety interlock switches:
Primary interlock relay switch shall prevent microwave radiation emission in excess of the requirement as above mentioned. Secondary interlock relay and door sensing switch shall prevent microwave radiation emission in excess of 5 mW/cm^2 at any point 5cm or more from the external surface of the oven.

B. Preparation for testing:

Before beginning the actual measurement of leakage, proceed as follows:

- 1) Make sure that the actual instrument is operating normally as specified in its instruction booklet.

Important:

Survey instruments that comply with the requirement for instrumentation as prescribed by the performance standard for microwave ovens, 21 CFR 1030.10(c)(3)(i), must be used for testing.

- 2) Place the oven tray in the oven cavity.
- 3) Place the load of $275\pm 15\text{ ml}$ (9.8 oz) of tap water initially at $20\pm 5^\circ\text{C}$ (68°F) in the center of the oven cavity.
The water container shall be a low form of 600 ml (20 oz) beaker with an inside diameter of approx. 8.5 cm (3-1/2 in.) and made of an electrically nonconductive material such as glass or plastic.
The placing of this standard load in the oven is important not only to protect the oven, but also to insure that any leakage is measured accurately.
- 4) Set the cooking control on Full Power Cooking Mode.
- 5) Close the door and select a cook cycle of several minutes. If the water begins to boil before the survey is completed, replace it with 275 ml of cool water.

C. Leakage test:

Closed-door leakage test (microwave measurement):

- 1) Grasp the probe of the survey instrument and hold it perpendicular to the gap between the door and the body of the oven.
- 2) Move the probe slowly, not faster than 1 in./sec. (2.5 cm/sec.) along the gap, watching for the maximum indication on the meter.
- 3) Check for leakage at the door screen, sheet metal seams and other accessible positions where the continuity of the metal has been breached (eg., around the switches, indicator, and vents).
While testing for leakage around the door, pull the door away from the front of the oven as far as is permitted by the closed latch assembly.
- 4) Measure carefully at the point of highest leakage and make sure that the highest leakage is no greater than 4 mW/cm^2 , and that the primary interlock switch/secondary interlock relay does turn the oven OFF before any door movement.

NOTE: After servicing, record data on service invoice and microwave leakage report.

SERVICE MANUAL

VIKING RANGE CORPORATION

MICROWAVE OVENS

DMOS200
CDMOS200
VMOS200
CVMOS200

FOREWORD

This Manual has been prepared to provide Viking Service Personnel with Operation and Service Information for the Viking Microwave Ovens, DMOS200, CDMOS200, VMOS200, CVMOS200.

It is recommended that service personnel carefully study the entire text of this manual so that they will be qualified to render satisfactory customer service.

Check the interlock switches and the door seal carefully. Special attention should be given to avoid electrical shock and microwave radiation hazard.

WARNING

Never operate the oven until the following points are ensured:

- (A) The door is tightly closed.
- (B) The door brackets and hinges are not defective.
- (C) The door packing is not damaged.
- (D) The door is not deformed or warped.
- (E) There is no other visible damage with the oven.

Servicing and repair work must be carried out only by trained service personnel.

DANGER

Certain initial parts are intentionally not grounded and present a risk of electrical shock only during servicing. Service personnel - Do not contact the following parts while the appliance is energized; High Voltage Capacitor, Power Transformer, Magnetron, High Voltage Rectifier Assembly, High Voltage Harness; If provided, Vent Hood, Fan assembly, Cooling Fan Motor.

All the parts marked "*" on parts list are used at voltages more than 250V.

Removal of the outer wrap gives access to voltage above 250V.

All the parts marked "Δ" on parts list may cause undue microwave exposure, by themselves, or when they are damaged, loosened or removed.

VIKING RANGE CORPORATION

111 Front St., Greenwood, MS 38930

Tel: (888) 845-4641

PRODUCT DESCRIPTION

GENERAL INFORMATION

OPERATION

TROUBLESHOOTING GUIDE AND
TEST PROCEDURE

TOUCH CONTROL PANEL

COMPONENT REPLACEMENT
AND ADJUSTMENT PROCEDURE

WIRING DIAGRAM

PARTS LIST

SPECIFICATION

ITEM	DESCRIPTION
Power Requirements	120 Volts / 13.0 Amperes/1500Watts 60 Hertz Single phase, 3 wire grounded
Power Output	1100 watts (IEC-705 TEST PROCEDURE) Operating frequency of 2450MHz
Case Dimensions	Width 24" Height 13-3/8" Depth 19-1/8"
Cooking Cavity Dimensions 2.0 Cubic Feet	Width 17-3/8" Height 10-1/2" Depth 18-5/8" Tray Size 15"
Control Complement	Touch Control System Clock (1:00 - 12:59) Timer (0 - 99 min. 99 seconds) Microwave Power for Variable Cooking Repetition Rate; P-HI Full power throughout the cooking time P-90 approx. 90% of Full Power P-80 approx. 80% of Full Power P-70 approx. 70% of Full Power P-60 approx. 60% of Full Power P-50 approx. 50% of Full Power P-40 approx. 40% of Full Power P-30 approx. 30% of Full Power P-20 approx. 20% of Full Power P-10 approx. 10% of Full Power P-0 No power throughout the cooking time <div style="border: 1px solid black; padding: 5px; margin: 10px auto; width: 80%;"> Sensor option pads, Breakfast pad, Lunch pad, Add a minute pad, Frozen food pads, Beverage pad, Number pad, Timer/Clock pad, Clock pad, Power level pad, Stop/Clear pad, Start touch pad, preset recipes pad, 15 minute dinners pad, warm/hold pad and Defrost pad. </div>
Cavity Light	Yes
Safety Standard	UL and CUL Listed FCC Authorized DHHS Rules, CFR, Title 21, Chapter 1, Subchapter J and Canadian Standards Association. Health CANADA.

GENERAL INFORMATION GROUNDING INSTRUCTIONS

This oven is equipped with a three prong grounding plug. It must be plugged into a wall receptacle that is properly installed and grounded in accordance with the National Electrical Code and local codes and ordinances. In the event of an electrical short circuit, grounding reduces the risk of electric shock by providing an escape wire for the electric current.

WARNING: Improper use of the grounding plug can result in a risk of electric shock.

Electrical Requirements

The electrical requirements are a 120 volt 60 Hz, AC only, 15 or 20 amp. fused electrical supply. It is recommended that a separate circuit serving only this appliance be provided. When installing this appliance, observe all applicable codes and ordinances.

A short power-supply cord is provided to reduce risks of becoming entangled in or tripping over a longer cord.

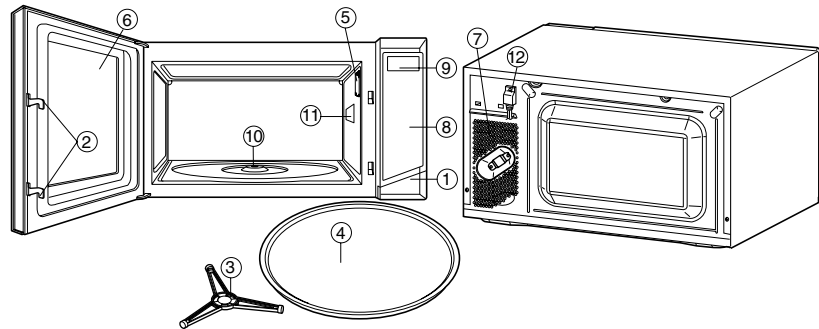
Where a two-pronged wall-receptacle is encountered, it is the personal responsibility and obligation of the customer to contact a qualified electrician and have it replaced with a properly grounded three-pronged wall receptacle or have a grounding

adapter properly grounded and polarized. If the extension cord must be used, it should be a 3-wire, 15 amp. or higher rated cord. Do not drape over a countertop or table where it can be pulled on by children or tripped over accidentally.

CAUTION: DO NOT UNDER ANY CIRCUMSTANCES CUT OR REMOVE THE ROUND GROUNDING PRONG FROM THIS PLUG.

1. One touch door open button.
Push to open door.
2. Door latches.
The oven will not operate unless the door is securely closed.
3. Removable turntable support.
The turntable will rotate clockwise or counterclockwise.
4. Removable turntable.
It will light when oven is operating or door is opened.
5. Oven lamp.
It will light when oven is operating or door is opened.
6. Oven door with see-through window.
7. Ventilation openings. (Rear)
8. Auto-Touch control panel.
9. Time display: Digital display, 99 minutes 99 seconds.

OVEN DIAGRAM



10. Turn table motor shaft
11. Wave guide cover.
12. Power supply cord

TOUCH CONTROL PANEL

NOTE:
The directed features are disabled after one minute when the oven is not in use. These features are automatically enabled when the door is opened and closed or the STOP/ CLEAR pad is pressed.



(VMOS200 model shown)

OPERATION

DESCRIPTION OF OPERATING SEQUENCE

The following is a description of component functions during oven operation.

OFF CONDITION

Closing the door activates the door sensing switch and secondary interlock switch. (In this condition, the monitor switch contacts are opened.)

When oven is plugged in, 120 volts A.C. is supplied to the control unit. (Figure O-1).

1. The display will show flashing "WELCOME, PRESS CLEAR"
To set any program or set the clock, you must first touch the STOP/CLEAR pad. The display will clear, and " : " will appear.

COOKING CONDITION

Program desired cooking time by touching the NUMBER pads. Program the power level by touching the POWER LEVEL pad and then a Number pad.

When the START pad is touched, the following operations occur:

1. The contacts of relays are closed and components connected to the relays are turned on as follows.
(For details, refer to Figure O-2)

RELAY	CONNECTED COMPONENTS
RY-1	oven lamp/turntable motor/fan motor
RY-2	power transformer

2. 120 volts A.C. is supplied to the primary winding of the power transformer and is converted to about 3.3 volts A.C. output on the filament winding, and approximately 2370 volts A.C. on the high voltage winding.
3. The filament winding voltage heats the magnetron filament and the H.V. winding voltage is sent to a voltage doubler circuit.
4. The microwave energy produced by the magnetron is channelled through the waveguide into the cavity feed-box, and then into the cavity where the food is placed to be cooked.
5. Upon completion of the cooking time, the power transformer, oven lamp, etc. are turned off, and the generation of microwave energy is stopped. The oven will revert to the OFF condition.
6. When the door is opened during a cook cycle, the monitor switch, secondary switch, door sensing switch, primary switch and secondary interlock relay are activated with the following results. The circuits to the turntable motor, the cooling fan motor, and the high voltage components are de-energized, the oven lamp remains on, and the digital read-out displays the time still remaining in the cook cycle when the door was opened.
7. The monitor switch electrically monitors the operation of

the primary switch and primary and is mechanically associated with the door so that it will function in the following sequence.

- 1) When the door opens from the closed position, the primary switch, secondary switch, door sensing switch, and secondary interlock relay open their contacts and the monitor switch contacts close.
- (2) When the door is closed from the open position, the monitor switch contacts open first. Then the contacts of the primary switch and door secondary switch close.

If the primary switch and the secondary switch primary contacts are closed when the door is opened, the monitor switch contacts form a short circuit through the monitor fuse, primary switch and secondary switch causing the monitor fuse to blow.

POWER LEVEL P-0 TO P-90 COOKING

When Variable Cooking Power is programmed, the 120 volts A.C. is supplied to the power transformer intermittently through the contacts of relay (RY-2) which is operated by the control unit within a 32 second time base. Microwave power operation is as follows:

VARI-MODE	ON TIME	OFF TIME
Power 10(P-HI) (100% power)	32 sec.	0 sec.
Power 9(P-90) (approx. 90% power)	30 sec.	2 sec.
Power 8(P-80) (approx. 80% power)	26 sec.	6 sec.
Power 7(P-70) (approx. 70% power)	24 sec.	8 sec.
Power 6(P-60) (approx. 60% power)	22 sec.	10 sec.
Power 5(P-50) (approx. 50% power)	18 sec.	14 sec.
Power 4(P-40) (approx. 40% power)	16 sec.	16 sec.
Power 3(P-30) (approx. 30% power)	12 sec.	20 sec.
Power 2(P-20) (approx. 20% power)	8 sec.	24 sec.
Power 1(P-10) (approx. 10% power)	6 sec.	26 sec.
Power 0(P-0) (0% power)	0 sec.	32 sec.

Note: The ON/OFF time ratio does not correspond with the percentage of microwave power, because approx. 2 seconds are needed for heating of the magnetron filament.

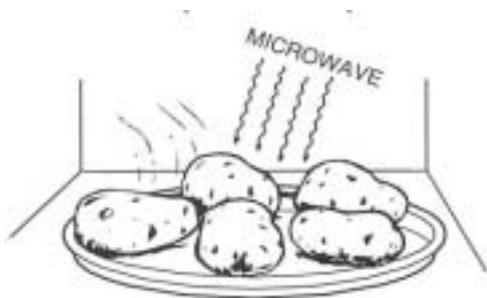
SENSOR COOKING CONDITION

Using the SENSOR function, food is cooked without figuring time, power level or quantity. When the oven senses enough steam from the food, it relays the information to its microprocessor which will calculate the remaining cooking time and power level needed for best results. When the food is cooked, water vapor is developed. the sensor "senses" the vapor and its resistance increase gradually. When the resistance reaches the value set according to the menu, supplementary cooking is started.

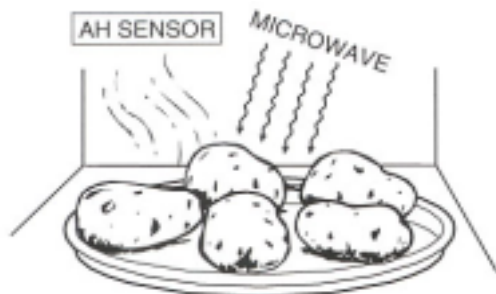
The time of supplementary cooking is determined by experiment with each food category and inputted into the LSI. An example of how sensor works: (Potatoes)



1. Potatoes at room temperature. Vapor is emitted very slowly.



2. Heat Potatoes. Moisture and humidity is emitted very rapidly. You can smell the aroma as it cooks.



3. Sensor detects moisture and humidity and calculates cooking time and variable power.

Cooking Sequence.

1. Touch one of the SENSOR pads.

NOTE: The oven should not be operated on sensor immediately after plugging in the unit. Wait two minutes before cooking on SENSOR.

2. The coil of shut-off relay (RY-1) is energized, the turntable motor are turned on, but the power transformer is not turned on.
3. After about 16 seconds, the cook relay (RY-2) is energized. The power transformer is turned on, microwave energy is produced and first stage is started. The 16 seconds is the cooling time required to remove any vapor from the oven cavity and sensor.

NOTE: During this first stage, do not open the door or touch STOP/CLEAR pad.

4. When the sensor detects the vapor emitted from the food, the display switches over to the remaining cooking time and the timer counts down to zero. At this time, the door may be opened to stir, turn or season food.
5. When the timer reaches zero, an audible signal sounds. The shut-off relay and cook relay are de-energized and the power transformer, oven lamp, etc. are turned off.
6. Opening the door or touching the STOP/CLEAR pad, the time of the day will reappear on the display and the oven will revert to an OFF condition. When the timer reaches zero, an audible signal sounds.

SCHMATIC

NOTE: CONDITION OF OVEN

1. DOOR CLOSED
2. CLOCK APPEARS ON DISPLAY

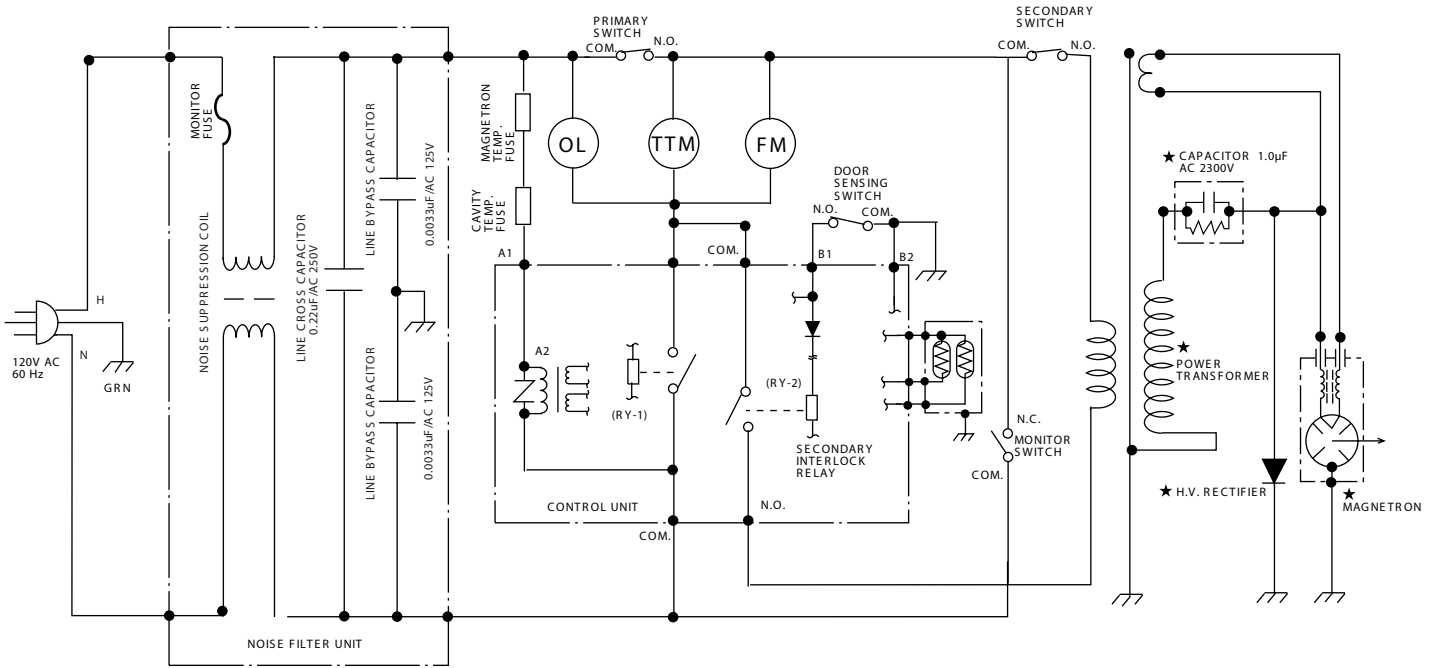


Figure O-1 Oven Schematic - Off Condition

SCHMATIC

NOTE: CONDITION OF OVEN

1. DOOR CLOSED
2. COOKING TIME PROGRAMMED
3. VARIABLE COOKING CONTROL "HIGH"
4. "START" PAD TOUCHED

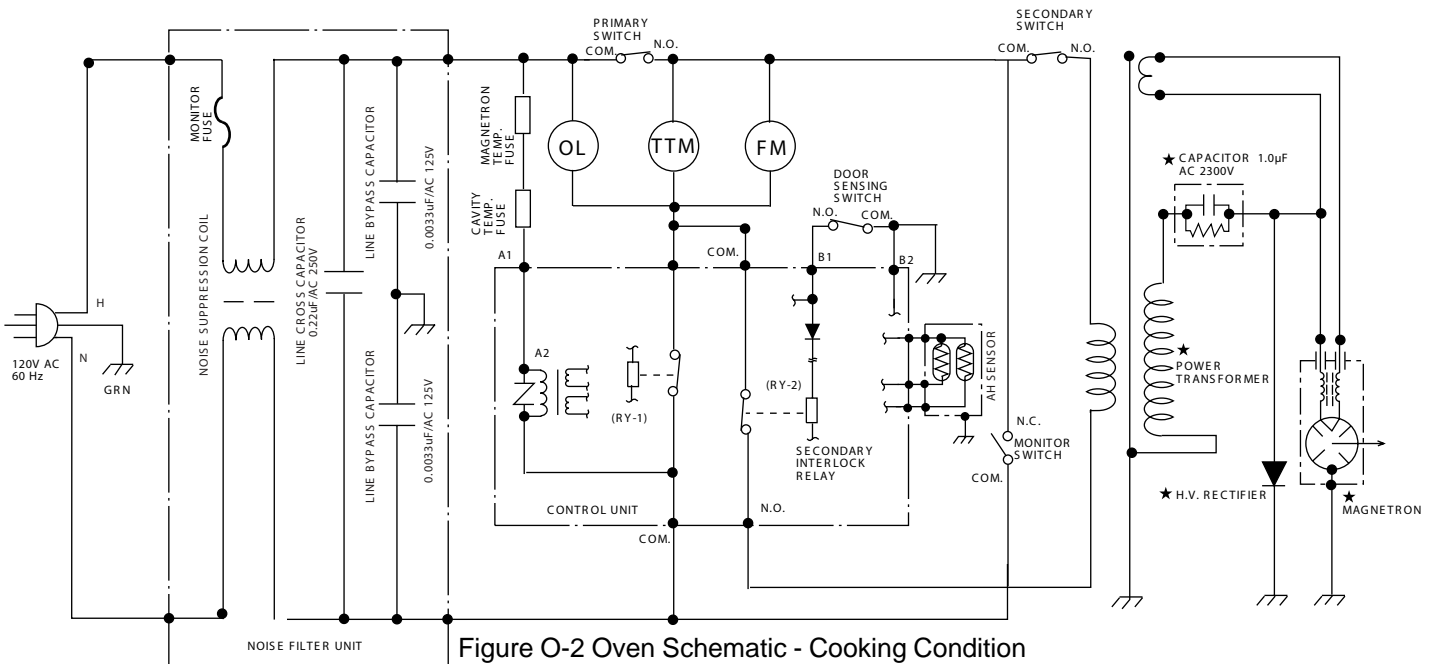


Figure O-2 Oven Schematic - Cooking Condition

DESCRIPTION AND FUNCTION OF COMPONENTS

DOOR OPEN MECHANISM

The door is opened by pushing the open button on the control panel, refer to the Figure D-1. When the open button is pushed, the open button pushes up the switch lever, and then the switch lever pushes up the latch head. The latch heads are moved upward and released from latch hook. Now the door will open.

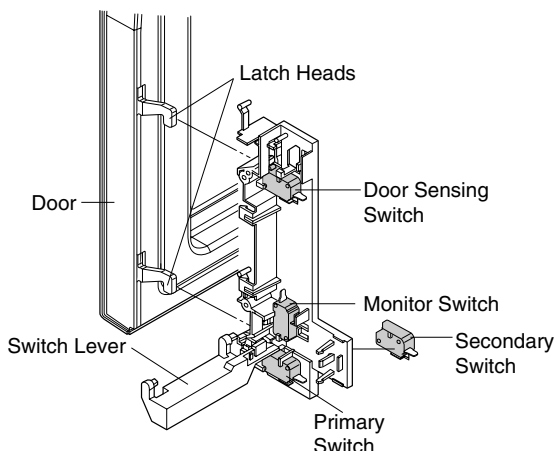


Figure D-1. Door Open Mechanism

PRIMARY SWITCH, SECONDARY SWITCH & DOOR SENSING SWITCH

The primary switch and secondary switch mounted parallel to each other horizontally in the lower positions of the latch hook, the door sensing switch is mounted horizontally in the upper position of the latch hook. They are activated by the latch head on the door. When the door is opened, the switches interrupt the power to all high voltage components, except the oven lamp. A cook cycle cannot take place until the door is firmly closed thereby activating all interlock switches. The secondary interlock system consists of the door sensing switch and the secondary interlock relay located on the control circuit board.

MONITOR SWITCH

The monitor switch is activated (the contacts opened) by the latch head on the door while the door is closed. The switch is intended to render the oven inoperative, by means of blowing the monitor fuse, when the contacts of the primary switch fail to open when the door is opened.

Functions:

1. When the door is opened, the monitor switch contact close (to the ON condition) due to their being normally closed. At this time the secondary interlock relay, primary switch and secondary switch are in the OFF condition (contacts open) due to their being normally open contact switches.
2. As the door goes to a closed position, the monitor switch contacts are first opened and then the door sensing switch, primary switch and secondary switch contacts close. (On opening the door, each of these switches operate inversely.)
3. If the door is opened, primary switch and contacts fail to

open, the monitor fuse blows simultaneously with closing of the monitor switch contacts.

CAUTION: BEFORE REPLACING A BLOWN MONITOR FUSE, TEST MONITOR SWITCH AND PRIMARY SWITCH FOR PROPER OPERATION. (REFER TO CHAPTER "TEST PROCEDURE").

NOTE: MONITOR FUSE, AND MONITOR SWITCH ARE REPLACED AS AN ASSEMBLY.

TURNTABLE MOTOR

The turntable motor rotates the turntable located on the bottom of the oven cavity, so that the foods on the turntable cook evenly during cooking. The turntable may turn in either direction.

COOLING FAN MOTOR

The cooling fan motor drives a blade which draws external cool air. This cool air is directed through the air vanes surrounding the magnetron and cools the magnetron. This air is channelled through the oven cavity to remove steam and vapors given off from the heating foods. It is then exhausted through the exhausting air vents at the oven cavity.

MONITOR FUSE

1. The monitor fuse blows when the contacts (COM-NO) of the primary switch remain closed with the oven door open and when the monitor switch closes.
2. If the wire harness or electrical components are short-circuited, this monitor fuse blows to prevent an electric shock or fire hazard.

CAVITY TEMPERATURE FUSE

The cavity temperature fuse located on the top of the oven cavity, is designed to prevent damage to the oven by fire. If the food load is overcooked, by either error in cook time or defect in the control unit, the cavity temperature fuse will open. Under normal operation, the cavity temperature fuse remains closed. However, when abnormally high temperatures are reached within the oven cavity, the cavity temperature fuse will open at 302°F(150°C) causing the oven to shut down.

NOTE: This is fuse. It does not reset.

MAGNETRON TEMPERATURE FUSE

The magnetron temperature fuse located near the magnetron is designed to prevent damage to the magnetron if an over heated condition develops in the tube due to cooling fan failure, obstructed air guide, dirty or blocked air intake, etc. Under normal operation, the magnetron temperature fuse remains closed. However, when abnormally high temperatures are reached within the magnetron, the magnetron temperature fuse will open at 302°F(150°C) causing the oven to shut down.

NOTE: This is fuse. It does not reset.

TROUBLESHOOTING GUIDE

Never touch any part in the circuit with your hand or an uninsulated tool while the power supply is connected.

When troubleshooting the microwave oven, it is helpful to follow the Sequence of Operation in performing the checks. Many of the possible causes of trouble will require that a specific test be performed. These tests are given a procedure letter which will be found in the "Test Procedure "section.

IMPORTANT: If the oven becomes inoperative because of a blown monitor fuse, check the primary switch, and monitor switch, before replacing the monitor fuse. If the monitor fuse is replaced, the monitor switch must also be replaced. Use part FFS-BA016/KIT as an assembly.

IMPORTANT: Whenever troubleshooting is performed with the power supply cord disconnected. It may in, some cases, be necessary to connect the power supply cord after the outer case has been removed, in this event,

1. Disconnect the power supply cord, and then remove outer case.
2. Open the door and block it open.
3. Discharge high voltage capacitor.
4. Disconnect the leads to the primary of the power transformer.
5. Ensure that the leads remain isolated from other components and oven chassis by using insulation tape.
6. After that procedure, reconnect the power supply cord.

When the testing is completed

1. Disconnect the power supply cord, and then remove outer case.
2. Open the door and block it open.
3. Discharge high voltage capacitor.
4. Reconnect the leads to the primary of the power transformer.
5. Reinstall the outer case (cabinet).
6. Reconnect the power supply cord after the outer case is installed.
7. Run the oven and check all functions.

CK = Check / RE = Replace

TEST PROCEDURE		RE	RE	A	B	C	D	E	F	F	F	G	H	RE	RE	CK	I	CK	CK	CK	J	K	L	M	N	
POSSIBLE CAUSE AND DEFECTIVE PARTS		SHORT IN POWER CORD	SHORT OR OPENED WIRING	MAGNETRON	POWER TRANSFORMER	H.V. RECTIFIER ASSEMBLY	HIGH VOLTAGE CAPACITOR	CAVITY TEMPERATURE FUSE	MAGNETRON TEMPERATURE FUSE	PRIMARY OR DOOR SENSING SWITCH	SECONDARY INTERLOCK SYSTEM	MONITOR SWITCH	MONITOR FUSE	OVEN LAMP OR SOCKET	COOLING FAN MOTOR	TURNTABLE MOTOR	TOUCH CONTROL PANEL	WRONG OPERATION	LOW VOLTAGE	DIRTY OVEN CAVITY	KEY UNIT	RELAY (RY1)	COMPU DEFROST	FOIL PATTERN ON PWB.	NOISE FILTER	
CONDITION	PROBLEM																									
OFF CONDITION	Home fuse or circuit breaker blows when power cord is plugged into wall receptacle	<input type="radio"/>	<input type="radio"/>																							
	Monitor fuse blows when power cord is plugged into wall receptacle.		<input type="radio"/>						<input type="radio"/>			<input type="radio"/>					<input type="radio"/>								<input type="radio"/>	
	All letters and indicators do not appear in display when power cord is first plugged into wall outlet.		<input type="radio"/>					<input type="radio"/>	<input type="radio"/>				<input type="radio"/>				<input type="radio"/>	<input type="radio"/>						<input type="radio"/>	<input type="radio"/>	
	Display does not operate properly when STOP/CLEAR key is touched. (Buzzer should sound and ":" or time of day should appear in display.)		<input type="radio"/>							<input type="radio"/>								<input type="radio"/>	<input type="radio"/>		<input type="radio"/>					
	Oven lamp does not light when door is opened.		<input type="radio"/>					<input type="radio"/>	<input type="radio"/>	<input type="radio"/>			<input type="radio"/>	<input type="radio"/>			<input type="radio"/>					<input type="radio"/>			<input type="radio"/>	
COOKING CONDITION	Oven lamp does not go out when door is closed.								<input type="radio"/>												<input type="radio"/>					
	Oven lamp lights but fan motor and turntable motor do not operate.		<input type="radio"/>							<input type="radio"/>				<input type="radio"/>	<input type="radio"/>											
	Oven does not go into cook cycle when START pad is touched		<input type="radio"/>							<input type="radio"/>	<input type="radio"/>						<input type="radio"/>	<input type="radio"/>			<input type="radio"/>	<input type="radio"/>				
	Oven seems to be operating but little or no heat is produced in oven load. (Food incompletely cooked or not cooked at all at end of cook cycle.)		<input type="radio"/>	<input type="radio"/>	<input type="radio"/>	<input type="radio"/>	<input type="radio"/>			<input type="radio"/>							<input type="radio"/>		<input type="radio"/>							
	Oven goes into a cook cycle but extremely uneven heating is produced in oven load (food).		<input type="radio"/>													<input type="radio"/>	<input type="radio"/>	<input type="radio"/>	<input type="radio"/>							
	Oven does not cook properly when programmed for Cooking Power 5 mode. (Operates properly on Cooking Power 10 (HIGH) mode.)									<input type="radio"/>								<input type="radio"/>								
	Oven goes into COMPU DEFROST but food is not defrosted well.																<input type="radio"/>	<input type="radio"/>					<input type="radio"/>			
SENSOR COOKING CONDITION	AH sensor does not end during sensor cooking condition. (Oven does not shut off after a cup of water is boiling by sensor cooking)																									
	Oven stops at 16 sec. after starting																									

TEST PROCEDURES

PROCEDURE LETTER	COMPONENT TEST
------------------	----------------

A MAGNETRON ASSEMBLY TEST

1. Disconnect the power supply cord, and then remove outer case.
2. Open the door and block it open.
3. Discharge high voltage capacitor.

TEST PROCEDURES

PROCEDURE LETTER	COMPONENT TEST
	<ol style="list-style-type: none">To test for an open filament, isolate the magnetron from the high voltage circuit. A continuity check across the magnetron filament leads should indicate less than 1 ohm.To test for a shorted magnetron, connect the ohmmeter leads between the magnetron filament leads and chassis ground. This test should indicate an infinite resistance. If there is little or no resistance the magnetron is grounded and must be replaced.Reconnect all leads removed from components during testing.Reinstall the outer case (cabinet).Reconnect the power supply cord after the outer case is installed.Run the oven and check all functions.

MICROWAVE OUTPUT POWER

The following test procedure should be carried out with the microwave oven in a fully assembled condition (outer case fitted).

HIGH VOLTAGES ARE PRESENT DURING THE COOK CYCLE, SO EXTREME CAUTION SHOULD BE OBSERVED.

Power output of the magnetron can be measured by performing a water temperature rise test. This test should only be used if above tests do not indicate a faulty magnetron and there is no defect in the following components or wiring: silicon rectifier, high voltage capacitor and power transformer. This test will require a 16 ounce (453cc) measuring cup and an accurate mercury thermometer or thermocouple type temperature tester. For accurate results, the following procedure must be followed carefully:

- Fill the measuring cup with 16 oz. (453cc) of tap water and measure the temperature of the water with a thermometer or thermocouple temperature tester. Stir the thermometer or thermocouple through the water until the temperature stabilizes. Record the temperature of the water.
- Place the cup of water in the oven. Operate oven at POWER 10(HIGH) selecting more than 60 seconds cook time. Allow the water to heat for 60 seconds, measuring with a stop watch, second hand of a watch or the digital read-out countdown.
- Remove the cup from the oven and again measure the temperature, making sure to stir the thermometer or thermocouple through the water until the maximum temperature is recorded.
- Subtract the cold water temperature from the hot water temperature. The normal result should be 38 to 78°F(21 to 42.6°C) rise in temperature. If the water temperatures are accurately measured and tested for the required time period the test results will indicate if the magnetron tube has low power output (low rise in water temperature) which would extend cooking time or high power output (high rise in water temperature) which would reduce cooking time. Because cooking time can be adjusted to compensate for power output, the magnetron tube assembly should be replaced only if the water temperature rise test indicates a power output well beyond the normal limits. The test is only accurate if the power supply line voltage is 120 volts and the oven cavity is clean.

B POWER TRANSFORMER TEST

- Disconnect the power supply cord, and then remove outer case.
- Open the door and block it open.
- Discharge high voltage capacitor.
- Disconnect the primary input terminals and measure the resistance of the transformer with an ohmmeter. Check for continuity of the coils with an ohmmeter. On the R x 1 scale, the resistance of the primary coil should be less than 1 ohm and the resistance of the high voltage coil should be approximately 90 ohms; the resistance of the filament coil should be less than 1 ohm.
- Reconnect all leads removed from components during testing.
- Reinstall the outer case (cabinet).
- Reconnect the power supply cord after the outer case is installed.
- Run the oven and check all functions.

(HIGH VOLTAGES ARE PRESENT AT THE HIGH VOLTAGE TERMINAL, SO DO NOT ATTEMPT TO MEASURE THE FILAMENT AND HIGH VOLTAGE.)

TEST PROCEDURES

PROCEDURE LETTER	COMPONENT TEST
C	<p><u>HIGH VOLTAGE RECTIFIER TEST</u></p> <ol style="list-style-type: none"> 1. Disconnect the power supply cord, and then remove outer case. 2. Open the door and block it open. 3. Discharge high voltage capacitor. 4. Isolate the rectifier from the circuit. Using the highest ohm scale of the meter, read the resistance across the terminals and observe, reverse the leads to the rectifier terminals and observe meter reading. If a short is indicated in both directions, or if an infinite resistance is read in both directions, the rectifier is probably defective and should be replaced. 5. Reconnect all leads removed from components during testing. 6. Reinstall the outer case (cabinet). 7. Reconnect the power supply cord after the outer case is installed. 8. Run the oven and check all functions. <p>NOTE: Be sure to use an ohmmeter that will supply a forward bias voltage of more than 6.3 volts.</p>
D	<p><u>HIGH VOLTAGE CAPACITOR TEST</u></p> <ol style="list-style-type: none"> 1. Disconnect the power supply cord, and then remove outer case. 2. Open the door and block it open. 3. Discharge high voltage capacitor. 4. If the capacitor is open, no high voltage will be available to the magnetron. Disconnect input leads and check for short or open between the terminals using an ohmmeter. Checking with a high ohm scale, if the high voltage capacitor is normal, the meter will indicate continuity for a short time and should indicate an open circuit once the capacitor is charged. If the above is not the case, check the capacitor with an ohmmeter to see if it is shorted between either of the terminals and case. If it is shorted, replace the capacitor. 5. Reconnect all leads removed from components during testing. 6. Reinstall the outer case (cabinet). 7. Reconnect the power supply cord after the outer case is installed. 8. Run the oven and check all functions.
E	<p><u>CAVITY TEMPERATURE FUSE TEST</u></p> <ol style="list-style-type: none"> 1. Disconnect the power supply cord, and then remove outer case. 2. Open the door and block it open. 3. Discharge high voltage capacitor. 4. A continuity check across the cavity temperature fuse terminals should indicate a closed circuit unless the temperature of the cavity temperature fuse reaches approximately 302°F(150°C). An open cavity temperature fuse indicates overheating of the oven, exchange the cavity temperature fuse and check inside of oven cavity and for improper setting of cooking time or operation of control unit. Check for restricted air flow through the vent holes of the oven cavity, especially the cooling fan and air guide. 5. Reconnect all leads removed from components during testing. 6. Reinstall the outer case (cabinet). 7. Reconnect the power supply cord after the outer case is installed. 8. Run the oven and check all functions. <p><u>MAGNETRON TEMPERATURE FUSE TEST</u></p> <ol style="list-style-type: none"> 1. Disconnect the power supply cord, and then remove outer case. 2. Open the door and block it open. 3. Discharge high voltage capacitor. 4. A continuity check across the magnetron temperature fuse terminals should indicate a closed circuit unless the temperature of the magnetron temperature fuse reaches approximately 302°F(150°C). An open magnetron temperature fuse indicates overheating of the magnetron. Check for restricted air flow to the magnetron, especially the cooling fan air guide. 5. Reconnect all leads removed from components during testing. 6. Reinstall the outer case (cabinet). 7. Reconnect the power supply cord after the outer case is installed. 8. Run the oven and check all functions.

TEST PROCEDURES

PROCEDURE LETTER	COMPONENT TEST
---------------------	----------------

CAUTION: IF THE TEMPERATURE FUSE INDICATES AN OPEN CIRCUIT AT ROOM TEMPERATURE, REPLACE TEMPERATURE FUSE.

F **PRIMARY AND SECONDARY SWITCH TEST**

1. Disconnect the power supply cord, and then remove outer case.
2. Open the door and block it open.
3. Discharge high voltage capacitor.
4. Isolate the switch and connect the ohmmeter to the common (COM.) and normally open (NO) terminal of the switch. The meter should indicate an open circuit with the door open and a closed circuit with the door closed. If improper operation is indicated, replace the secondary interlock switch.
5. Reconnect all leads removed from components during testing.
6. Reinstall the outer case (cabinet).
7. Reconnect the power supply cord after the outer case is installed.
8. Run the oven and check all functions.

SECONDARY INTERLOCK SYSTEM TEST

DOOR SENSING SWITCH

1. Disconnect the power supply cord, and then remove outer case.
2. Open the door and block it open.
3. Discharge high voltage capacitor.
4. Isolate the switch and connect the ohmmeter to the common (COM.) and normally open (NO) terminal of the switch. The meter should indicate an open circuit with the door open and a closed circuit with the door closed. If improper operation is indicated, replace the door sensing switch.
5. Reconnect all leads removed from components during testing.
6. Reinstall the outer case (cabinet).
7. Reconnect the power supply cord after the outer case is installed.
8. Run the oven and check all functions.

NOTE: If the door sensing switch contacts fail in the open position and the door is closed, the cooling fan, turntable and oven light will be activated by RY1.

SECONDARY INTERLOCK RELAY (RY2)

1. Disconnect the power supply cord, and then remove outer case.
2. Open the door and block it open.
3. Discharge high voltage capacitor.
4. Disconnect two (2) wire leads from the male tab terminals of the Secondary Interlock Relay. Check the state of the relay contacts using a ohmmeter. The relay contacts should be open. If the relay contacts are closed, replace the circuit board entirely or the relay itself.
5. Reconnect all leads removed from components during testing.
6. Reinstall the outer case (cabinet).
7. Reconnect the power supply cord after the outer case is installed.
8. Run the oven and check all functions.

G **MONITOR SWITCH TEST**

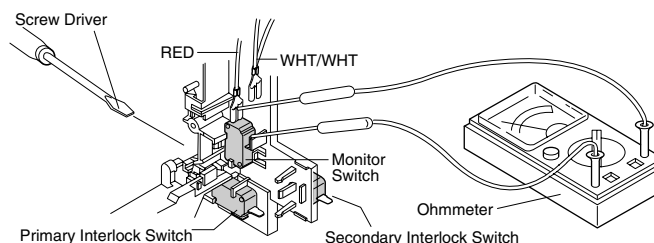
1. Disconnect the power supply cord, and then remove outer case.
2. Open the door and block it open.
3. Discharge high voltage capacitor.
4. Before performing this test, make sure that the primary switch is operating properly, according to the above Switch Test Procedure. Disconnect the wire lead from the monitor switch (COM) terminal. Check the monitor switch operation by using the ohmmeter as follows. When the door is open, the meter should indicate a closed circuit. When the monitor switch actuator is pushed by a screw driver through the lower latch hole on the front plate of the oven cavity with the door opened (in this condition the plunger of the monitor switch is pushed in), the meter should indicate an open circuit. If improper operation is indicated, the switch may be defective. After testing the monitor switch, reconnect the wire lead to the monitor switch (COM) terminal and check the continuity of the monitor circuit.

TEST PROCEDURES

PROCEDURE LETTER

COMPONENT TEST

5. Reconnect all leads removed from components during testing.
6. Reinstall the outer case (cabinet).
7. Reconnect the power supply cord after the outer case is installed.
8. Run the oven and check all functions.



H

BLOWN MONITOR FUSE TEST

1. Disconnect the power supply cord, and then remove outer case.
2. Open the door and block it open.
3. Discharge high voltage capacitor.
4. If the monitor fuse is blown when the door is opened, check the primary switch and monitor switch according to the "TEST PROCEDURE" for those switches before replacing the blown monitor fuse.

CAUTION: BEFORE REPLACING A BLOWN MONITOR FUSE, TEST THE PRIMARY SWITCH AND MONITOR SWITCH FOR PROPER OPERATION.

If the monitor fuse is blown by improper switch operation, the monitor fuse and monitor switch must be replaced with "monitor fuse and monitor switch assembly" part number FFS-BA016/KIT, even if the monitor switch operates normally. The monitor fuse and monitor switch assembly is comprised of a 20 ampere fuse and switch.

5. Reconnect all leads removed from components during testing.
6. Reinstall the outer case (cabinet).
7. Reconnect the power supply cord after the outer case is installed.
8. Run the oven and check all functions.

I

TOUCH CONTROL PANEL ASSEMBLY TEST

The touch control panel consists of circuits including semiconductors such as LSI, ICs, etc. Therefore, unlike conventional microwave ovens, proper maintenance cannot be performed with only a voltmeter and ohmmeter. In this service manual, the touch control panel assembly is divided into two units, Control Unit and Key Unit, and also the Control Unit is divided into two units, LSI Unit and Power Unit, and troubleshooting by unit replacement is described according to the symptoms indicated.

Before testing,

- 1) Disconnect the power supply cord, and then remove outer case.
- 2) Open the door and block it open.
- 3) Discharge high voltage capacitor.
- 4) Disconnect the leads to the primary of the power transformer.
- 5) Ensure that these leads remain isolated from other components and oven chassis by using insulation tape.
- 6) After that procedure, re-connect the power supply cord.

1. Key Unit.

NOTE ;

- 1) Disconnect the power supply cord, and then remove outer case.
- 2) Open the door and block it open.
- 3) Discharge high voltage capacitor.
- 4) Check Key unit ribbon connection before replacement.
- 5) Reconnect all leads removed from components during testing.
- 6) Re-install the outer case (cabinet).
- 7) Reconnect the power supply cord after the outer case is installed.
- 8) Run the oven and check all functions.

TEST PROCEDURES

PROCEDURE LETTER

COMPONENT TEST

The following symptoms indicate a defective key unit.

- a) When touching the pads, a certain pad produces no signal at all.
- b) When touching a number pad, two figures or more are displayed.
- c) When touching the pads, sometimes a pad produces no signal.

If the Key unit is defective.

- 1) Disconnect the power supply cord, and then remove outer case.
- 2) Open the door and block it open.
- 3) Discharge high voltage capacitor.
- 4) Replace the Key unit.
- 5) Reconnect all leads removed from components during testing.
- 6) Re-install the outer case (cabinet).
- 7) Reconnect the power supply cord after the outer case is installed.
- 8) Run the oven and check all functions.

2. Control Unit

The following symptoms indicate a defective control unit. Before replacing the control unit, perform the Key unit test (Procedure J) to determine if control unit is faulty.

2-1 In connection with pads.

- a) When touching the pads, a certain group of pads do not produce a signal.
- b) When touching the pads, no pads produce a signal.

2-2 In connection with indicators

- a) At a certain digit, all or some segments do not light up.
- b) At a certain digit, brightness is low.
- c) Only one indicator does not light.
- d) The corresponding segments of all digits do not light up; or they continue to light up.
- e) Wrong figure appears.
- f) A certain group of indicators do not light up.
- g) The figure of all digits flicker.
- h) The following symptoms indicate a defective LSI unit.
 - When touching the keys on the touch screen, a certain key produces no signal at all.
 - When touching a number key on the touch screen, two figures or more are displayed.
 - When touching the keys on the touch screen, sometimes a key produces no signal.

2-3 Other possible problems caused by defective control unit.

- a) Buzzer does not sound or continues to sound.
- b) Clock does not operate properly.
- c) Cooking is not possible.

When testing is completed,

- 1) Disconnect the power supply cord, and then remove outer case.
- 2) Open the door and block it open.
- 3) Discharge high voltage capacitor.
- 4) Reconnect all leads removed from components during testing.
- 5) Re-install the outer case (cabinet).
- 6) Reconnect the power supply cord after the outer case is installed.
- 7) Run the oven and check all functions..

J

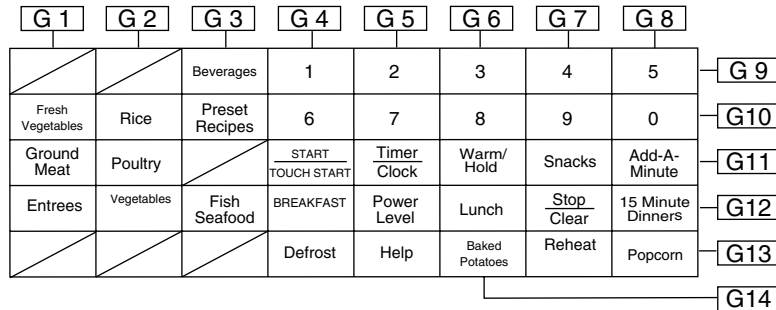
KEY UNIT TEST

1. Disconnect the power supply cord, and then remove outer case.
2. Open the door and block it open.
3. Discharge high voltage capacitor.
4. If the display fails to clear when the STOP/CLEAR pad is depressed, first verify the flat ribbon cable is making good contact, verify that the door sensing switch (stop switch) operates properly; that is the contacts are closed when the door is closed and open when the door is open. If the door sensing switch (stop switch) is good, disconnect the flat ribbon cable that connects the key unit to the control unit and make sure the door sensing switch is closed (either close the door or short the door sensing switch connector). Use the Key unit matrix indicated on the control panel schematic and place a jumper wire between the pins that correspond to the STOP/CLEAR pad making momentary contact. If the control unit responds by clearing with a beep the key unit is faulty and must be replaced. If the control unit does not respond, it is faulty and must be replaced. If a specific pad does not respond, the above method may be used (after clearing the control unit) to determine if the control unit or key pad is at fault.
5. Reconnect all leads removed from components during testing.

TEST PROCEDURES

PROCEDURE LETTER **COMPONENT TEST**

6. Re-install the outer case (cabinet).
7. Reconnect the power supply cord after the outer case is installed.
8. Run the oven and check all functions.



K RELAY TEST

1. Disconnect the power supply cord, and then remove outer case.
2. Open the door and block it open.
3. Discharge high voltage capacitor.
4. Disconnect the leads to the primary of the power transformer.
5. Ensure that these leads remain isolated from other components and oven chassis by using insulation tape.
6. After that procedure, re-connect the power supply cord.
7. Remove the outer case and check voltage between Pin No. 1 of the 2 pin connector (A) and the common terminal of the relay RY1 on the control unit with an A.C. voltmeter. The meter should indicate 120 volts, if not check oven circuit.

RY1 and RY2 Relay Test

These relays are operated by D.C. voltage

Check voltage at the relay coil with a D.C. voltmeter during the microwave cooking operation.

DC. voltage indicated Defective relay.

DC. voltage not indicated Check diode which is connected to the relay coil. If diode is good, control unit is defective.

RELAY SYMBOL	OPERATIONAL VOLTAGE	CONNECTED COMPONENTS
RY1	Approx. 24.0V D.C.	Oven lamp / Turntable motor / Cooling fan motor
RY2	Approx. 23.0V D.C.	Power transformer

8. Disconnect the power supply cord, and then remove outer case.
9. Open the door and block it open.
10. Discharge high voltage capacitor.
11. Reconnect all leads removed from components during testing.
12. Re-install the outer case (cabinet).
13. Reconnect the power supply cord after the outer case is installed.
14. Run the oven and check all functions.

L COMPU DEFROST TEST

WARNING : The oven should be fully assembled before following procedure.

- (1) Place one cup of water in the center of the turntable tray in the oven cavity.
- (2) Close the door, touch the Defrost pad and touch the number pad 5 twice. Then touch the start pad.

(3) The oven is in Compu Defrost cooking condition.

(4) The oven will operate as follows

WEIGHT	1ST STAGE		2ND STAGE	
	LEVEL	TIME	LEVEL	TIME
0.5lb	70%	30sec.	40%	15sec.

(5) If improper operation is indicated, the control unit is probably defective and should be checked.

TEST PROCEDURES

**PROCEDURE
LETTER**

COMPONENT TEST

M

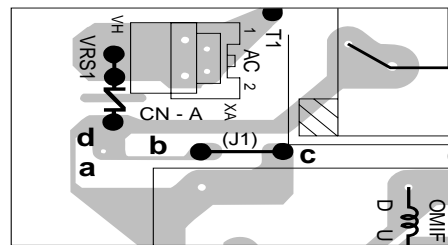
FOIL PATTERN ON THE PRINTED WIRING BOARD TEST

To protect the electronic circuits, this model is provided with a fine foil pattern added to the primary on the PWB, this foil pattern acts as a fuse.

1. Foil pattern check and repairs.
 - 1) Disconnect the power supply cord, and then remove outer case.
 - 2) Open the door and block it open.
 - 3) Discharge high voltage capacitor.
 - 4) Follow the troubleshooting guide given below for repair.

STEPS	OCCURRENCE	CAUSE OR CORRECTION
1	Only pattern at "a" is broken.	*Insert jumper wire J1 and solder.
2	Pattern at "a" and "b" are broken.	*Insert the coil RCILF2003YAZZ between "c" and "d".

- 5) Make a visual inspection of the varistor. Check for burned damage and examine the transformer with a tester for the presence of layer short-circuit (check the primary coil resistance which is approximately $210\ \text{ohm} \pm 15\%$). If any abnormal condition is detected, replace the defective parts.



- 6) Reconnect all leads removed from components during testing.
- 7) Re-install the outer case (cabinet).
- 8) Reconnect the power supply cord after the outer case is installed.
- 9) Run the oven and check all functions.
2. Follow the troubleshooting guide given below, if indicator does not light up after above check and repairs are finished.
 - 1) Disconnect the power supply cord, and then remove outer case.
 - 2) Open the door and block it open.
 - 3) Discharge high voltage capacitor.
 - 4) Disconnect the leads to the primary of the power transformer.
 - 5) Ensure that these leads remain isolated from other components and oven chassis by using insulation tape.
 - 6) After that procedure, re-connect the power supply cord.
 - 7) Follow the troubleshooting guide given below for repair.

STEPS	OCCURRENCE	CAUSE OR CORRECTION
1	The rated AC voltage is not present between Pin No. 1 of the 2-pin connector (A) and the common terminal of the relay RY1.	Check supply voltage and oven power cord.
2	The rated AC voltage is present at primary side of low voltage transformer.	Low voltage transformer or secondary circuit defective. Check and repair.

- 8) Disconnect the power supply cord, and then remove outer case.
- 9) Open the door and block it open.
- 10) Discharge high voltage capacitor.
- 11) Reconnect all leads removed from components during testing.
- 12) Re-install the outer case (cabinet).
- 13) Reconnect the power supply cord after the outer case is installed.
- 14) Run the oven and check all functions.

TEST PROCEDURES

PROCEDURE LETTER	COMPONENT TEST
N	<p style="text-align: center;"><u>AH SENSOR TEST</u></p> <p>Checking the initial sensor cooking condition Warning: The oven should be fully assembled before following procedure.</p> <ol style="list-style-type: none"> 1) The oven should be plugged in at least two minutes before sensor cooking. 2) Room temperature should not exceed 95°F(35°C). 3) The unit should not be installed in any area where heat and steam are generated. The unit should not be installed for example, next to conventional surface unit. Refer to the "INSTALLATION INSTRUCTIONS" of the operational manual. (4) Exhaust vents are provided on the back of the unit for proper cooling and air flow in the cavity. To permit adequate ventilation, be sure to install so as not to block these vents. There should be some space for air circulation. (5) Be sure the exterior of the cooking container and the interior of the oven are dry. Wipe off any moisture with dry cloth or paper towel. (6) The Sensor works with food at normal storage temperature. For example, chicken pieces would be at refrigerator temperature and canned soup at room temperature. (7) Avoid using aerosol sprays or cleaning solvents near the oven while using Sensor settings. The sensor will detect the vapor given off by the spray and turn off before food is properly cooked. (8) If the sensor has not detected the vapor of the food, ERROR will appear and the oven will shut off. <p>Water load cooking test Warning: The oven should be fully assembled before following procedure. Make sure the oven the oven has been plugged in at least two minutes before checking sensor cook operation . the cabinet should be installed and screws tightened.</p> <ol style="list-style-type: none"> (1) The oven should be plugged in at least two minutes before sensor cooking (2) Fill approximately 200 milliliters (7.2 oz) of tap water in 1000 milliliters measuring cup. (3) Place the container on the center of tray in the oven cavity. (4) Close the door. (5) Touch the Timer/Clock pad once, the Power Level pad twice, the Start pad once and the number pad once. Now, the oven is in the sensor cooking condition and "TEST", "SENSOR" and "COOK" will appear in the display. (6) The oven will operate for the first 16 seconds, without generating microwave energy. <p>NOTE: ERROR will appear if the door is opened or STOP/CLEAR pad is touched during the first stage of sensor cooking.</p> <ol style="list-style-type: none"> (7) After approximately 16 seconds, microwave energy is produced. <p>If ERROR is displayed, replace the AH sensor or check the control unit, refer to explanation below. If the oven stops after 5 minutes and ERROR is displayed, check the parts except for the AH sensor.</p>

TESTING METHOD FOR AH SENSOR AND /OR CONTROL UNIT

To determine if the sensor is defective, the simplest method is to replace it with a new replacement sensor.

- (1) Disconnect the power supply cord, and then remove outer case.
- (2) Open the door and block it open.
- (3) Discharge high voltage capacitor.
- (4) Remove the AH sensor.
- (5) Install the new AH sensor.
- (6) Reconnect all leads removed from components during testing.
- (7) Re-install the outer case (cabinet)
- (8) Reconnect the power supply cord after the outer case is installed.
- (9) Reconnect the oven to the power supply and check the sensor cook operation as follows:
 - 9-1. Fill approximately 200 milliliters (7.2 oz) of tap water in a 1000 milliliter measuring cup.
 - 9-2. Place the container on the center of tray in the oven cavity.
 - 9-3. Close the door.
 - 9-4. Touch the Timer/Clock pad once, the Power Level pad once and the number pad once.
 - 9-5. The control panel is in automatic sensor operation.
 - 9-6. The display will start to count down the remaining cooking time, and the oven will turn off automatically after the water is boiling (bubbling).

If new sensor does not operate properly, the problem is with the control unit, and refer to explanation below.

TEST PROCEDURES

**PROCEDURE
LETTER**

COMPONENT TEST

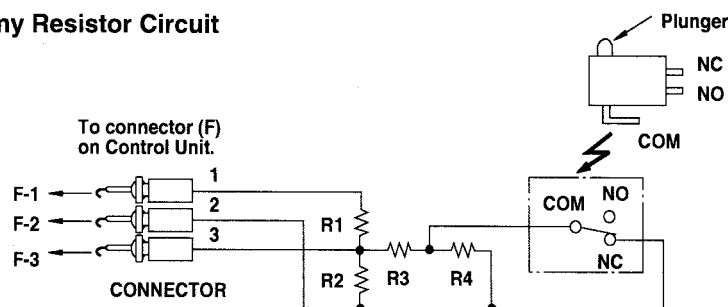
CHECKING CONTROL UNIT

- (1) Disconnect the power supply cord, and then remove outer case.
- (2) Open the door and block it open.
- (3) Discharge high voltage capacitor.
- (4) Disconnect the sensor connector that is mounted to control panel.
- (5) Then connect the dummy resistor circuit (see fig.) to the sensor connector of control panel.
- (6) Disconnect the leads to the primary of power transformer.
- (7) Ensure that these leads remain isolated from other components and oven chassis by using insulation tape.
- (8) After that procedure, re-connect the power supply cord.
- (9) Check the sensor cook operation proceed as follows:
 - 9-1 Touch Timer/Clock pad once, the Power Level pad twice, the Start pad once and the number pad once.
 - 9-2 The control panel is in the sensor cooking operation.
 - 9-3 After approximately 25 seconds, push plunger of select switch for more than 3 seconds. This condition is same as judgement by AH sensor.
 - 9-4 After approximately 3 seconds, the display shows "xx.xx" which is remaining cooking time, and the display count down.

If the above is not the case, the control unit is probably defective.

If the above is proper, the AH sensor is probably defective.
- (10) Disconnect the power supply cord, and then remove outer case.
- (11) Open the door and block it open.
- (12) Discharge high voltage capacitor.
- (13) Reconnect the sensor connector that is mounted to control panel.
- (14) Carry out the necessary repair.
- (15) Reconnect all leads removed from components during testing and repairing.
- (16) Re-install the outer case (cabinet)
- (17) Reconnect the power supply cord after the outer case is installed. Run the oven and check all functions
- (18) Carry out the "water load cooking test" again and ensure that the oven work properly.

Sensor Dummy Resistor Circuit



- R1,R2 : 22Ω ± 1% 1/2W
 R3 : 4.3kΩ ± 5% 1/4W
 R4 : 1MΩ ± 5% 1/4W

Sensor Dummy Resistor Circuit

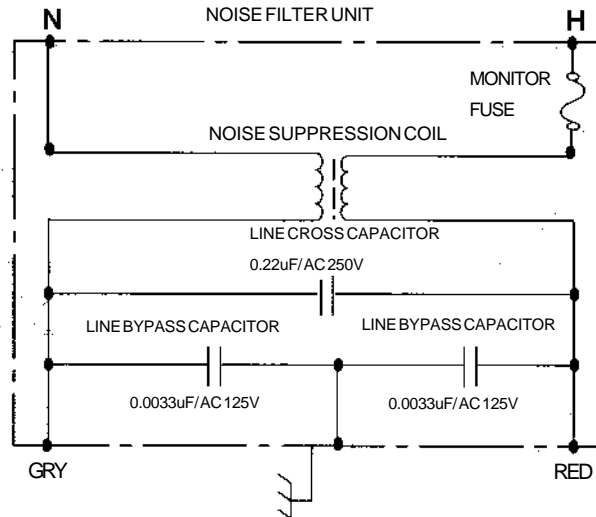
TEST PROCEDURES

**PROCEDURE
LETTER**

COMPONENT TEST

N NOISE FILTER TEST

1. Disconnect the power supply cord, and then remove outer case.
2. Open the door and block it open.
3. Discharge high voltage capacitor.
4. Disconnect the leads to the primary of the power transformer.
5. Using an ohm-meter, check between the terminals as described in the following table:



MEASURING POINT	INDICATION OF OHM-METER
Between N and H	Open Circuit
Between terminal N and GRY	Short Circuit
Between terminal H and RED	Short Circuit

If incorrect readings are obtained, replace the noise filter.

6. Reconnect all leads removed from components during testing.
7. Re-install the outer case (cabinet).
8. Reconnect the power supply cord after the outer case is installed.
9. Run the oven and check all functions.

TOUCH CONTROL PANEL ASSEMBLY

OUTLINE OF TOUCH CONTROL PANEL

The touch control section consists of the following units.

- (1) Key Unit
- (2) Control Unit (The Control Unit consists of Power Unit and LSI Unit).

The principal functions of these units and the signals communicated among them are explained below.

Key Unit

The key unit is composed of a matrix, signals generated in the LSI are sent to the key unit through P00-P07.

When a keypad is touched, a signal is completed through the key unit and passed back to the LSI through P14, P15, P16, P17, AIN6 and AIN7 to perform the function that was requested.

Control Unit

Control unit consists of LSI, ACL circuit, indicator circuit, power source circuit, relay circuit, buzzer circuit, synchronizing signal circuit, absolute humidity sensor circuit and back light circuit.

1) ACL

This circuit generates a signal which resets the LSI to the initial state when power is supplied.

2) Indicator Circuit

This circuit consists of 40 segments and 16 common electrodes using a Liquid Crystal Display.

3) Power Source Circuit

This circuit generates voltages necessary in the control unit from the AC line voltage.

In addition, the synchronizing signal is available in order to compose a basic standard time in the clock circuit.

Symbol	Voltage	Application
VC	-5V	LSI(IC1)

4) Relay Circuit

A circuit to drive the magnetron, fan motor, turntable motor and light the oven lamp.

5) Buzzer Circuit

The buzzer is responsive to signals from the LSI to emit audible sounds (key touch sound and completion sound).

6) Synchronizing Signal Circuit

The power source synchronizing signal is available in order to compose a basic standard time in the clock circuit.

It accompanies a very small error because it works on commercial frequency.

7) Door Sensing Switch

A switch to "tell" the LSI if the door is open or closed.

8) Back Light Circuit

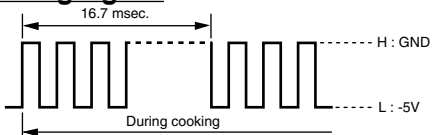
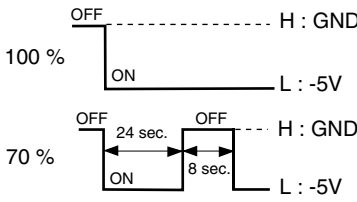
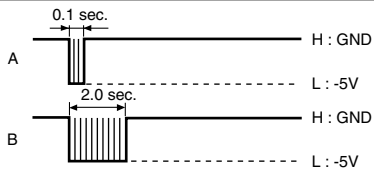
A circuit to drive the back light (Light emitting diodes LD10-LD15).

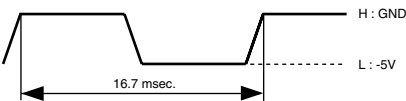
9) Absolute Humidity Sensor Circuit

This circuit detects moisture of the cooking food to allow its automatic cooking.

LSI(IXA098DR)

The I/O signal of the LSI(IXA098DR) is detailed in the following table.

Pin No.	Signal	I/O	Description
1	COM5	OUT	Common data signal : COM11. Connected to LCD signal COM11.
2	COM4	OUT	Common data signal : COM12. Connected to LCD signal COM12.
3	COM3	OUT	Common data signal : COM13. Connected to LCD signal COM13.
4	COM2	OUT	Common data signal : COM14. Connected to LCD signal COM14.
5	COM1	OUT	Common data signal : COM15. Connected to LCD signal COM15.
6	COM0	OUT	Common data signal : COM16. Connected to LCD signal COM16.
7-10	VL1-VL4	IN	Power source voltage input terminal. Standard voltage for LCD.
11	VL5	IN	Power source voltage input terminal. Standard voltage for LCD. Connected to GND.
12-14	C3-C1	IN	Terminal not used.
15	VLIN	IN	Terminal not used.
16	VREG	OUT	Terminal not used.
17	NC	—	Terminal not used.
18	VSS	IN	Power source voltage : -5.0V. The power source voltage to the LSI is input to VSS terminal. Connected to VC.
19-21	P27-P25	OUT	Terminal not used.
22-26	P24-P20	IN	Used for initial balancing of the bridge circuit (absolute humidity sensor).
27	P47	IN	To input signal which communicates the door open/close information to LSI. Door close "H" level signal (0V). Door open "L" level signal (-5V).
28	P46	OUT	Terminal not used.
29	P45	OUT	Oven lamp, fan motor and turntable motor driving signal. To turn on and off shut off relay (RY1). The square waveform voltage is delivered to the RY1 driving circuit and RY2 control circuit. 
30	P44	OUT	Magnetron high-voltage circuit driving signal. To turn on and off the cook relay (RY2). The signals holds "L" level during microwave cooking and "H" level while not cooking. In other cooking modes (variable cooking) the signal turns to "H" level and "L" level in repetition according to the power level.  (ON and OFF times for other power level.)
31	P43	OUT	Terminal not used.
32	CNTR0	OUT	Signal to sound buzzer (2.0 kHz). A: key touch sound.  B: Completion sound.
33	P41	OUT	Terminal not used.

Pin No.	Signal	I/O	Description
34	INT0	IN	<p>Signal synchronized with commercial power source frequency. This is the basic timing for time processing of LSI.</p> 
35	P07	OUT	<p>Key strobe signal. Signal applied to touch-key section. A pulse signal is input to AIN7, P14, P15, P16 and P17 terminal while one of G1 line keys on key matrix is touched.</p>
36	P06	OUT	<p>Key strobe signal. Signal applied to touch-key section. A pulse signal is input to AIN7, P14, P15, P16 and P17 terminal while one of G2 line keys on key matrix is touched.</p>
37	P05	OUT	<p>Key strobe signal. Signal applied to touch-key section. A pulse signal is input to AIN7, P14, P15, P16 and P17 terminal while one of G3 line keys on key matrix is touched.</p>
38	P04	OUT	<p>Key strobe signal. Signal applied to touch-key section. A pulse signal is input to AIN7, P14, P15, P16 and P17 terminal while one of G4 line keys on key matrix is touched.</p>
39	P03	OUT	<p>Key strobe signal. Signal applied to touch-key section. A pulse signal is input to AIN7, P14, P15, P16 and P17 terminal while one of G5 line keys on key matrix is touched.</p>
40	P02	OUT	<p>Key strobe signal. Signal applied to touch-key section. A pulse signal is input to AIN6, AIN7, P14, P15, P16 and P17 terminal while one of G6 line keys on key matrix is touched.</p>
41	P01	OUT	<p>Key strobe signal. Signal applied to touch-key section. A pulse signal is input to AIN7, P14, P15, P16 and P17 terminal while one of G7 line keys on key matrix is touched.</p>
42	P00	OUT	<p>Key strobe signal. Signal applied to touch-key section. A pulse signal is input to AIN7, P14, P15, P16 and P17 terminal while one of G8 line keys on key matrix is touched.</p>
43	P17	OUT	<p>Signal coming from touch key. When either G9 line on key matrix is touched, a corresponding signal out of P00-P07 will be input into P17. When no key is touched, the signal is held at "H" level.</p>
44	P16	IN	<p>Signal similar to P17. When either G10 line on key matrix is touched, a corresponding signal will be input into P16.</p>
45	P15	IN	<p>Signal similar to P17. When either G11 line on key matrix is touched, a corresponding signal will be input into P15.</p>
46	P14	IN	<p>Signal similar to P17. When either G12 line on key matrix is touched, a corresponding signal will be input into P14.</p>
47	AIN7	IN	<p>Signal similar to P17. When either G13 line on key matrix is touched, a corresponding signal will be input into AIN7.</p>
48	AIN6	IN	<p>Input terminal to judge the model. The signal out of P02 will be input into AIN6 through G6 line on key matrix. The LSI will judge the model by this signal.</p>

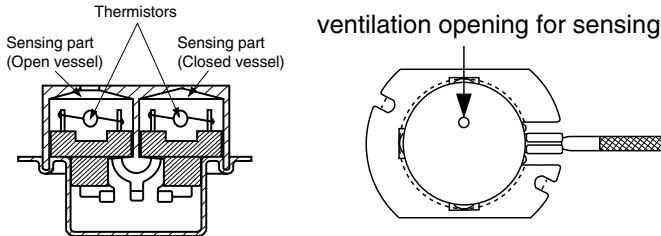
Pin No.	Signal	I/O	Description
49	AIN5	IN	AH sensor input. This input is an analog input terminal from the AH sensor circuit, and connected to the A/D converter built into the LSI.
50	AIN4	IN	Used for initial balancing of the bridge circuit (absolute humidity sensor). This input is an analog input terminal from the AH sensor circuit, and connected to the A/D converter built into the LSI.
51	RESET	IN	Auto clear terminal. Signal is input to reset the LSI to the initial state when power is applied. Temporarily set "L" level the moment power is applied, at this time the LSI is reset. Thereafter set at "H" level
52	NC	–	Terminal not used.
53	XCOUT	OUT	Terminal not used.
54	XCIN	IN	Connected to VC.
55	NC	–	Terminal not used.
56	VCC	IN	Power source voltage: GND(0V). The power source voltage to drive LSI is input to VCC terminal.
57	OSCSEL	IN	Connected to VC(-5V).
58	XOUT	OUT	Internal clock oscillation output. Output to control oscillation input of XIN.
59	VSS	IN	Power source voltage: -5.0V. The power source voltage to the LSI is input to VSS terminal. Connected to VC.
60	NC	–	Terminal not used.
61	XIN	IN	Internal clock oscillation frequency control input setting. The internal clock frequency is set by inserting the ceramic filter oscillation circuit with respect to XOUT terminal.
62	NC	–	Terminal not used.
63-66	AIN3-AIN0	IN	Terminal to change cooking input according to the Model. By using the A/D converter contained in the LSI, DC voltage in accordance with the Model in operation is applied to set up its cooking constant.
67	COM8	OUT	Common data signal : COM8. Connected to LCD signal COM8.
68	COM9	OUT	Common data signal : COM7. Connected to LCD signal COM7.
69	COM10	OUT	Common data signal : COM6. Connected to LCD signal COM6.
70	COM11	OUT	Common data signal : COM5. Connected to LCD signal COM5.
71	COM12	OUT	Common data signal : COM4. Connected to LCD signal COM4.
72	COM13	OUT	Common data signal : COM3. Connected to LCD signal COM3.
73	COM14	OUT	Common data signal : COM2. Connected to LCD signal COM2.
74	COM15	OUT	Common data signal : COM1. Connected to LCD signal COM1.
75-102	SEG67-SEG40	OUT	Terminal not used.

103-142	SEG39-SEG0	OUT	<p>Segment data signal. Connected to LCD. The relation between signals and LCD are as follows:</p> <table border="0"> <thead> <tr> <th>LSI signal (Pin No.)</th> <th>LCD segment</th> <th>LSI signal (Pin No.)</th> <th>LCD segment</th> </tr> </thead> <tbody> <tr><td>SEG 39 (103)</td><td>SEG 1</td><td>SEG 19 (123)</td><td>SEG 21</td></tr> <tr><td>SEG 38 (104)</td><td>SEG 2</td><td>SEG 18 (124)</td><td>SEG 22</td></tr> <tr><td>SEG 37 (105)</td><td>SEG 3</td><td>SEG 17 (125)</td><td>SEG 23</td></tr> <tr><td>SEG 36 (106)</td><td>SEG 4</td><td>SEG 16 (126)</td><td>SEG 24</td></tr> <tr><td>SEG 35 (107)</td><td>SEG 5</td><td>SEG 15 (127)</td><td>SEG 25</td></tr> <tr><td>SEG 34 (108)</td><td>SEG 6</td><td>SEG 14 (128)</td><td>SEG 26</td></tr> <tr><td>SEG 33 (109)</td><td>SEG 7</td><td>SEG 13 (129)</td><td>SEG 27</td></tr> <tr><td colspan="4"> </td></tr> <tr><td>SEG 32 (110)</td><td>SEG 8</td><td>SEG 12 (130)</td><td>SEG 28</td></tr> <tr><td>SEG 31 (111)</td><td>SEG 9</td><td>SEG 11 (131)</td><td>SEG 29</td></tr> <tr><td>SEG 30 (112)</td><td>SEG 10</td><td>SEG 10 (132)</td><td>SEG 30</td></tr> <tr><td>SEG 29 (113)</td><td>SEG 11</td><td>SEG 9 (133)</td><td>SEG 31</td></tr> <tr><td>SEG 28 (114)</td><td>SEG 12</td><td>SEG 8 (134)</td><td>SEG 32</td></tr> <tr><td>SEG 27 (115)</td><td>SEG 13</td><td>SEG 7 (135)</td><td>SEG 33</td></tr> <tr><td>SEG 26 (116)</td><td>SEG 14</td><td>SEG 6 (136)</td><td>SEG 34</td></tr> <tr><td>SEG 25 (117)</td><td>SEG 15</td><td>SEG 5 (137)</td><td>SEG 35</td></tr> <tr><td>SEG 24 (118)</td><td>SEG 16</td><td>SEG 4 (138)</td><td>SEG 36</td></tr> <tr><td>SEG 23 (119)</td><td>SEG 17</td><td>SEG 3 (139)</td><td>SEG 37</td></tr> <tr><td>SEG 22 (120)</td><td>SEG 18</td><td>SEG 2 (140)</td><td>SEG 38</td></tr> <tr><td>SEG 21 (121)</td><td>SEG 19</td><td>SEG 1 (141)</td><td>SEG 39</td></tr> <tr><td>SEG 20 (122)</td><td>SEG 20</td><td>SEG 0 (142)</td><td>SEG 40</td></tr> </tbody> </table>	LSI signal (Pin No.)	LCD segment	LSI signal (Pin No.)	LCD segment	SEG 39 (103)	SEG 1	SEG 19 (123)	SEG 21	SEG 38 (104)	SEG 2	SEG 18 (124)	SEG 22	SEG 37 (105)	SEG 3	SEG 17 (125)	SEG 23	SEG 36 (106)	SEG 4	SEG 16 (126)	SEG 24	SEG 35 (107)	SEG 5	SEG 15 (127)	SEG 25	SEG 34 (108)	SEG 6	SEG 14 (128)	SEG 26	SEG 33 (109)	SEG 7	SEG 13 (129)	SEG 27					SEG 32 (110)	SEG 8	SEG 12 (130)	SEG 28	SEG 31 (111)	SEG 9	SEG 11 (131)	SEG 29	SEG 30 (112)	SEG 10	SEG 10 (132)	SEG 30	SEG 29 (113)	SEG 11	SEG 9 (133)	SEG 31	SEG 28 (114)	SEG 12	SEG 8 (134)	SEG 32	SEG 27 (115)	SEG 13	SEG 7 (135)	SEG 33	SEG 26 (116)	SEG 14	SEG 6 (136)	SEG 34	SEG 25 (117)	SEG 15	SEG 5 (137)	SEG 35	SEG 24 (118)	SEG 16	SEG 4 (138)	SEG 36	SEG 23 (119)	SEG 17	SEG 3 (139)	SEG 37	SEG 22 (120)	SEG 18	SEG 2 (140)	SEG 38	SEG 21 (121)	SEG 19	SEG 1 (141)	SEG 39	SEG 20 (122)	SEG 20	SEG 0 (142)	SEG 40
LSI signal (Pin No.)	LCD segment	LSI signal (Pin No.)	LCD segment																																																																																								
SEG 39 (103)	SEG 1	SEG 19 (123)	SEG 21																																																																																								
SEG 38 (104)	SEG 2	SEG 18 (124)	SEG 22																																																																																								
SEG 37 (105)	SEG 3	SEG 17 (125)	SEG 23																																																																																								
SEG 36 (106)	SEG 4	SEG 16 (126)	SEG 24																																																																																								
SEG 35 (107)	SEG 5	SEG 15 (127)	SEG 25																																																																																								
SEG 34 (108)	SEG 6	SEG 14 (128)	SEG 26																																																																																								
SEG 33 (109)	SEG 7	SEG 13 (129)	SEG 27																																																																																								
SEG 32 (110)	SEG 8	SEG 12 (130)	SEG 28																																																																																								
SEG 31 (111)	SEG 9	SEG 11 (131)	SEG 29																																																																																								
SEG 30 (112)	SEG 10	SEG 10 (132)	SEG 30																																																																																								
SEG 29 (113)	SEG 11	SEG 9 (133)	SEG 31																																																																																								
SEG 28 (114)	SEG 12	SEG 8 (134)	SEG 32																																																																																								
SEG 27 (115)	SEG 13	SEG 7 (135)	SEG 33																																																																																								
SEG 26 (116)	SEG 14	SEG 6 (136)	SEG 34																																																																																								
SEG 25 (117)	SEG 15	SEG 5 (137)	SEG 35																																																																																								
SEG 24 (118)	SEG 16	SEG 4 (138)	SEG 36																																																																																								
SEG 23 (119)	SEG 17	SEG 3 (139)	SEG 37																																																																																								
SEG 22 (120)	SEG 18	SEG 2 (140)	SEG 38																																																																																								
SEG 21 (121)	SEG 19	SEG 1 (141)	SEG 39																																																																																								
SEG 20 (122)	SEG 20	SEG 0 (142)	SEG 40																																																																																								
143	COM7	OUT	<p>Common data signal : COM9. Connected to LCD signal COM9.</p>																																																																																								
144	COM6	OUT	<p>Common data signal : COM10. Connected to LCD signal COM10.</p>																																																																																								

ABSOLUTE HUMIDITY SENSOR CIRCUIT

(1) Structure of Absolute Humidity Sensor

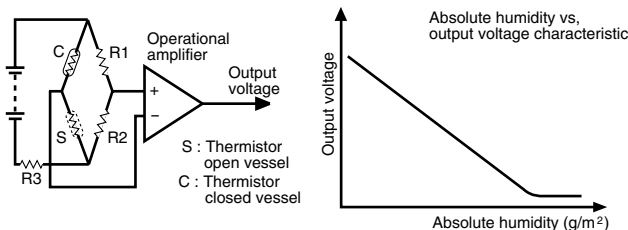
The absolute humidity sensor includes two thermistors as shown in the illustration. One thermistor is housed in the closed vessel filled with dry air while another in the open vessel. Each sensor is provided with the protective cover made of metal mesh to be protected from the external airflow.



(2) Operational Principle of Absolute Humidity Sensor

The figure below shows the basic structure of an absolute humidity sensor. A bridge circuit is formed by two thermistors and two resistors (R1 and R2). The output of the bridge circuit is to be amplified by the operational amplifier.

Each thermistor is supplied with a current to keep it heated at about 150°C (302°F), the resultant heat is dissipated in the air and if the two thermistors are placed in different degrees of heat conductivity leading to a potential difference between them causing an output voltage from the bridge circuit, the intensity of which is increased as the absolute humidity of the air increases. Since the output is very minute, it is amplified by the operational amplifier.



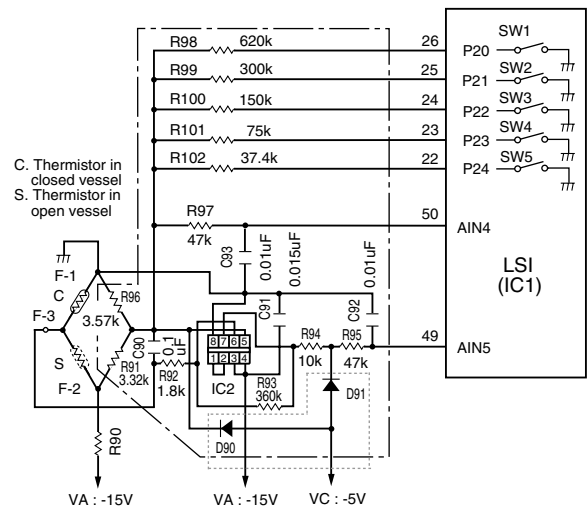
(3) Detector circuit of Absolute Humidity Sensor circuit

This detector circuit is used to detect the output voltage of the absolute humidity circuit to allow the LSI to control sensor cooking of the unit. When the unit is set in the sensor cooking mode, 16 seconds clearing cycle occurs then the detector circuit starts to function and the LSI observes the initial voltage available at its AN1 terminal.

With this voltage given, the switches SW1 to SW5 in the LSI are turned on in such a way as to change the resistance values in parallel with R107 ~ R111 of IC2. Changing the resistance value results in that there is the same potential at both F-3 terminal of the absolute humidity sensor and AN0 terminal of the LSI. The voltage of AN1 terminal will indicate about 16 seconds about -2.50 V. This initial balancing is set up about 16 seconds after the unit is put in the Sensor Cooking mode. As the sensor cooking proceeds, the food is heated to generate moisture by which the resistance balance of the bridge circuit is deviated to increase the voltage available at AN1 terminal of the LSI.

Then the LSI observes that the voltage at AN1 terminal and compares it with its initial value, and when the comparison rate reaches the preset value (fixed for each menu to be cooked), the LSI causes the unit to stop sensor cooking; thereafter, the unit goes in the next operation automatically. When the LSI starts to detect the initial voltage at AN1 terminal 16 seconds after the unit has been put in the Sensor Cooking mode, if it is not possible to balance of the bridge circuit due to disconnection of the absolute humidity sensor, ERROR will appear on the display and the cooking is stopped.

1) Absolute humidity sensor circuit



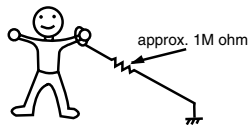
TOUCH CONTROL PANEL SERVICING

1. Precautions for Handling Electronic Components

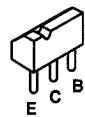
This unit uses CMOS LSI in the integral part of the circuits. When handling these parts, the following precautions should be strictly followed. CMOS LSI have extremely high impedance at its input and output terminals. For this reason, it is easily influenced by the surrounding high voltage power source, static electricity charge in clothes, etc. and sometimes it is not fully protected by the built-in protection circuit.

In order to protect CMOS LSI.

- 1) When storing and transporting, thoroughly wrap them in aluminium foil. Also wrap all PW boards containing them in aluminium foil.
- 2) When soldering, ground the technician as shown in the figure and use grounded soldering iron and work table



2. Shapes of Electronic Components



Transistor
2SB1238



Transistor
KRC243M

2. Servicing of Touch Control Panel

We describe the procedures to permit servicing of the touch control panel of the microwave oven and the precautions you must take when doing so. To perform the servicing, power to the touch control panel is available either from the power line of the oven itself or from an external power source.

(1) Servicing the touch control panel with power supply of the oven:

CAUTION:

THE HIGH VOLTAGE TRANSFORMER OF THE MICROWAVE OVEN IS STILL LIVE DURING SERVICING AND PRESENTS A HAZARD.

Therefore, before checking the performance of the touch control panel,

- 1) Disconnect the power supply cord, and then remove outer case.
- 2) Open the door and block it open.
- 3) Discharge high voltage capacitor.
- 4) Disconnect the leads to the primary of the power transformer.
- 5) Ensure that these leads remain isolated from other components and oven chassis by using insulation tape.
- 6) After that procedure, re-connect the power supply cord.

After checking the performance of the touch control panel,

- 1) Disconnect the power supply cord.
- 2) Open the door and block it open.
- 3) Re-connect the leads to the primary of the power transformer.
- 4) Re-install the outer case (cabinet).

- 5) Re-connect the power supply cord after the outer case is installed.
- 6) Run the oven and check all functions.

- A. On some models, the power supply cord between the touch control panel and the oven itself is so short that the two can't be separated. For those models, check and repair all the controls (sensor-related ones included) of the touch control panel while keeping it connected to the oven.
- B. On some models, the power supply cord between the touch control panel and the oven proper is long enough that they may be separated from each other. For those models, it is possible to check and repair the controls of the touch control panel while keeping it apart from the oven proper; in this case you must short both ends of the door sensing switch (on PWB) of the touch control panel with a jumper, which activates an operational state that is equivalent to the oven door being closed. As for the sensor-related controls of the touch control panel, checking them is possible if dummy resistor(s) with resistance equal to that of the controls are used.

(2) Servicing the touch control panel with power supply from an external power source:

Disconnect the touch control panel completely from the oven proper, and short both ends of the door sensing switch (on PWB) of the touch control panel, which activates an operational state that is equivalent to the oven door being closed. Connect an external power source to the power input terminal of the touch control panel, then it is possible to check and repair the controls of the touch control panel it is also possible to check the sensor-related controls of the touch control panel by using the dummy resistor(s).

3. Servicing Tools

Tools required to service the touch control panel assembly.

- 1) Soldering iron: 30W
(It is recommended to use a soldering iron with a grounding terminal.)
- 2) Oscilloscope: Single beam, frequency range: DC-10MHz type or more advanced model.
- 3) Others: Hand tools

4. Other Precautions

- 1) Before turning on the power source of the control unit, remove the aluminium foil applied for preventing static electricity.
- 2) Connect the connectors of the key unit to the control unit being sure that the lead wires are not twisted.
- 3) After aluminium foil is removed, be careful that abnormal voltage due to static electricity etc. is not applied to the input or output terminals.
- 4) Attach connectors, electrolytic capacitors, etc. to PWB, making sure that all connections are tight.
- 5) Be sure to use specified components where high precision is required.

COMPONENT REPLACEMENT AND ADJUSTMENT PROCEDURE

WARNING AGAINST HIGH VOLTAGE:

Microwave ovens contain circuitry capable of producing very high voltage and current, contact with following parts may result in severe, possibly fatal, electric shock.

(Example)

High Voltage Capacitor, Power Transformer, Magnetron, High Voltage Rectifier Assembly, High Voltage Harness etc..

WARNING: Avoid possible exposure to microwave energy. Please follow the instructions below before operating the oven.

- | | |
|--|--|
| <ol style="list-style-type: none"> 1. Disconnect the power supply cord. 2. Make sure that a definite "click" can be heard when the microwave oven door is unlatched. (Hold the door in a closed position with one hand, then push the door open button with the other, this causes the latch leads to rise, it is then possible to hear a "click" as the door switches operate.) 3. Visually check the door and cavity face plate for damage (dents, cracks, signs of arcing etc.). | <ol style="list-style-type: none"> 1. Door does not close firmly. 2. Door hinge, support or latch hook is damaged. 3. The door gasket or seal is damaged. 4. The door is bent or warped. 5. There are defective parts in the door interlock system. 6. There are defective parts in the microwave generating and transmission assembly. 7. There is visible damage to the oven. |
|--|--|

Carry out any remedial work that is necessary before operating the oven.

Do not operate the oven if any of the following conditions exist;

Do not operate the oven:

1. Without the RF gasket (Magnetron).
2. If the wave guide or oven cavity are not intact.
3. If the door is not closed.
4. If the outer case (cabinet) is not fitted.

WARNING FOR WIRING

To prevent an electric shock, take the following precautions.

- | | |
|---|--|
| <ol style="list-style-type: none"> 1. Before wiring, <ol style="list-style-type: none"> 1) Disconnect the power supply cord. 2) Open the door block it open. 3) Discharge the high voltage capacitor and wait for 60 seconds. 2. Don't let the wire leads touch to the following parts; <ol style="list-style-type: none"> 1) High voltage parts:
Magnetron, High voltage transformer, High voltage capacitor and High voltage rectifier assembly. 2) Hot parts:
Oven lamp, Magnetron, High voltage transformer and Oven cavity. | <ol style="list-style-type: none"> 3) Sharp edge:
Bottom plate, Oven cavity, Waveguide flange, Chassis support and other metallic plate. 4) Movable parts (to prevent a fault)
Fan blade, Fan motor, Switch, Switch lever, Open button. 3. Do not catch the wire leads in the outer case cabinet. 4. Insert the positive lock connector until its pin is locked and make sure that the wire leads do not come off even if the wire leads are pulled. 5. To prevent an error function, connect the wire leads correctly, referring to the Pictorial Diagram. |
|---|--|

Please refer to 'OVEN PARTS, CABINET PARTS, CONTROL PANEL PARTS, DOOR PARTS', when carrying out any of the following removal procedures:

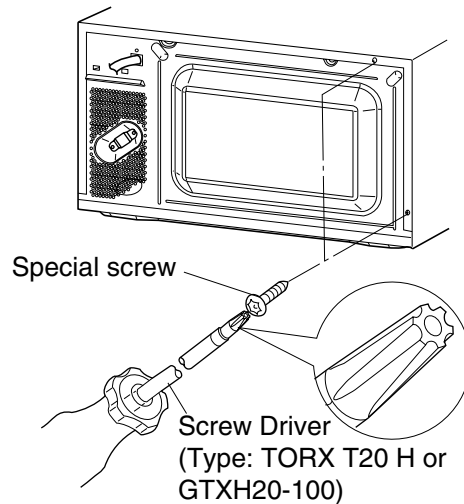
OUTER CASE REMOVAL

To remove the outer case, proceed as follows.

- | | |
|--|---|
| <ol style="list-style-type: none"> 1. Disconnect the power supply cord. 2. Open the oven door and block it open. 3. Remove the two (2) screws from the lower portion of the rear cabinet using a T20H Torx type or GTXH20-100 screw driver. | <ol style="list-style-type: none"> 4. Remove the remaining two (2) screws from rear and four (4) screws along the right side of outer case. 5. Slide the entire outer case back out about 1 inch (3 cm) to free it from retaining clips on the cavity face plate. 6. Lift entire outer case from the unit. |
|--|---|

- CAUTION:** 1. DISCONNECT OVEN FROM POWER SUPPLY BEFORE REMOVING OUTER CASE.
2. DISCHARGE THE HIGH VOLTAGE CAPACITOR BEFORE TOUCHING ANY OVEN COMPONENTS OR WIRING.

NOTE: When replacing the outer case, the 2 special Torx screws must be reinstalled in the same locations.



POWER TRANSFORMER REMOVAL

1. Disconnect the power supply cord and then remove outer case.
2. Open the oven door and block it open.
3. Discharge high voltage capacitor.
4. Disconnect wire leads (primary and high voltage) from power transformer and the filament leads from the magnetron and capacitor terminals.
5. Remove four (4) screws holding transformer to bottom plate.
6. Remove transformer from bottom plate.

Re-install

1. Rest transformer on the bottom plate with its primary terminals toward the oven face plate.
2. Secure transformer with four screws to bottom plate.
3. Re-connect wire leads (primary and high voltage) to power transformer and filament leads of transformer to magnetron and high voltage capacitor. Refer to "PICTORIAL DIAGRAM" on page 33.
4. Re-install outer case and check that oven is operating properly.

HIGH VOLTAGE RECTIFIER AND HIGH VOLTAGE CAPACITOR REMOVAL

1. Disconnect the power supply cord and then remove outer case.
2. Open the door and block it open.
3. Discharge high voltage capacitor.
4. Disconnect the high voltage wire A from the high voltage capacitor.
5. Disconnect the high voltage wire of high voltage rectifier assembly from the magnetron.
6. Disconnect the filament lead (short one) of the power transformer from the high voltage capacitor.

7. Remove one (1) screw holding capacitor holder with the high voltage rectifier to the base plate.
8. Disconnect rectifier terminal from capacitor. High voltage rectifier assembly is now free.
9. Remove capacitor holder. Capacitor is now free.

CAUTION: WHEN REPLACING HIGH VOLTAGE RECTIFIER AND HIGH VOLTAGE CAPACITOR, GROUND SIDE TERMINAL OF THE HIGH VOLTAGE RECTIFIER MUST BE SECURED FIRMLY WITH A GROUNDING SCREW.

MAGNETRON REMOVAL

Removal

1. Disconnect the power supply cord and then remove outer case.
2. Open the door and block it open.
3. Discharge high voltage capacitor.
4. Disconnect wire leads from magnetron.
5. Remove the two (2) screws holding the chassis support to the magnetron and the oven cavity front flange.
6. Slide the magnetron duct slightly so that the two (2) screws at left hand side of the magnetron appear.
7. Carefully remove the four (4) screws holding magnetron to waveguide flange.
8. Remove the magnetron with care so that the magnetron antenna is not hit by any metal object around the antenna.
9. Now, the magnetron is free.

Re-install

1. Re-install the magnetron to waveguide flange with care to prevent damage to the magnetron antenna.
2. Secure the magnetron with the four (4) screws.
3. Hold the chassis support to the oven cavity front plate and the magnetron with the two (2) screws.
4. Reconnect the wire leads to the magnetron. Refer to "PICTORIAL DIAGRAM" on page 33.
5. Re-install outer case and check that the oven is operating properly.

CAUTION: WHEN REPLACING MAGNETRON, BE SURE THE R.F. GASKET IS IN PLACE AND MOUNTING SCREWS ARE TIGHTENED SECURELY

OVEN LAMP AND LAMP SOCKET REMOVAL

1. Disconnect the power supply cord and remove outer case.
2. Open the door and block it open.
3. Discharge high voltage capacitor.
4. Remove the oven lamp from the oven lamp socket.
5. Pull the wire leads from the oven lamp socket by pushing the terminal hole of the oven lamp socket with the small flat type screw driver.
6. Remove the oven lamp socket from the magnetron duct by turning the socket counterclockwise.
7. Remove the oven lamp from the socket by turning the oven lamp.
8. Now, the oven lamp and the oven lamp socket are free.

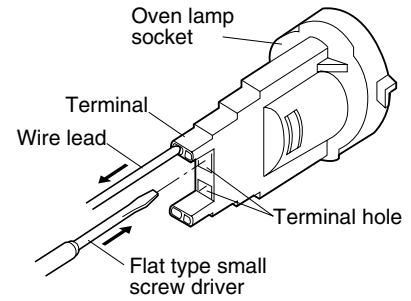


Figure C-1. Oven lamp socket

POSITIVE LOCK® CONNECTOR (NO-CASE TYPE) REMOVAL

1. Disconnect the power supply cord, and then remove outer case.
2. Open the door and block it open.
3. Discharge high voltage capacitor.
4. Push the lever of positive lock® connector.
5. Pull down on the positive lock® connector.

CAUTION: WHEN CONNECTING THE POSITIVE LOCK® CONNECTORS TO THE TERMINALS, CONNECT THE POSITIVE LOCK® SO THAT THE LEVER FACES YOU.

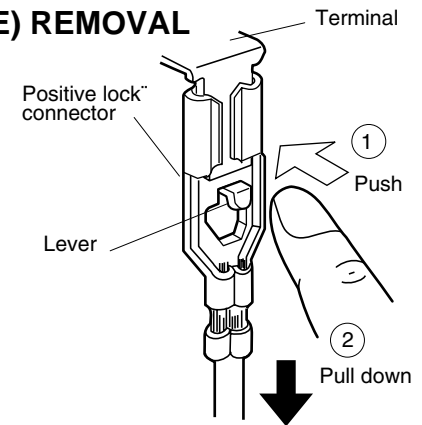


Figure C-2. Positive lock® connector

CONTROL PANEL ASSEMBLY REMOVAL

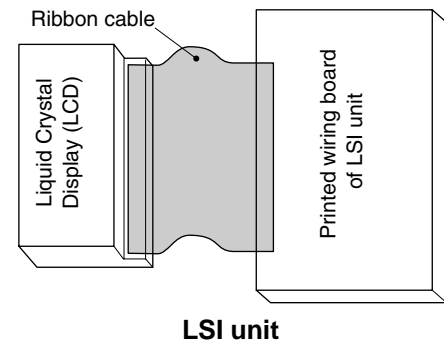
1. Disconnect the power supply cord and then remove outer case.
2. Open the door and block it open.
3. Discharge high voltage capacitor.
4. Disconnect the wire leads from panel components.
5. Remove the one (1) screw holding the control panel assembly to the oven cavity front plate.
6. Slide the control panel assembly upward and remove it.
7. Now, individual components can be removed.

NOTE: 1. Before attaching a new key unit, wipe off remaining adhesive on the control panel frame surfaces completely with a soft cloth soaked in alcohol.
2. When attaching the key unit to the control panel frame, adjust the upper edge and right edge of the key unit to the correct position of control panel frame.

3. Stick the key unit firmly to the control panel frame by rubbing with soft cloth not to scratch.

LSI UNIT

NOTE: Handle the LSI unit carefully so that there is no excessive force applied to the ribbon connection.



TURNTABLE MOTOR REMOVAL

1. Disconnect the power supply cord.
2. Remove turntable and turntable support from oven cavity.
3. Lay the oven on its backside. Remove the turntable motor cover by snipping off the material in four corners.
4. Where the corners have been snipped off bend corner areas flat. No sharp edges must be evident after removal of the turntable motor cover.
5. Disconnect wire leads from turntable motor. (See "Positive lock connector removal")
6. Remove one (1) screw holding turntable motor to oven cavity.
7. Now the turntable motor is free.
8. After replacement use the one (1) screw to fit the turntable motor cover.

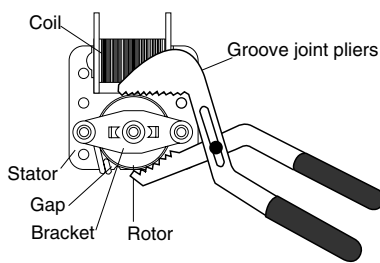
COOLING FAN MOTOR REMOVAL

REMOVAL

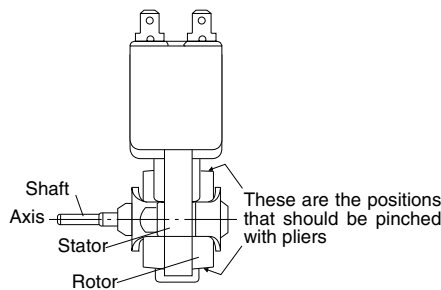
1. Disconnect the power supply cord and then remove outer case.
2. Open the door and block it open.
3. Discharge high voltage capacitor.
4. Disconnect the wire leads from the fan motor.
5. Remove the two (2) screws holding the fan motor to the oven cavity back plate.
6. Remove the fan blade from the fan motor shaft according to the following procedure.
7. Hold the edge of the rotor of the fan motor by using a pair of groove joint pliers.

CAUTION:

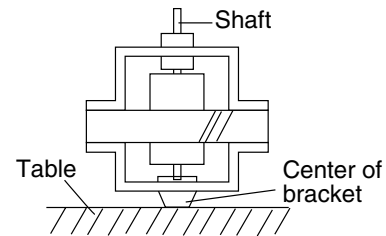
- * **Make sure that no metal pieces enter the gap between the rotor and the stator of the fan motor because the rotor is easily shaven by pliers and metal pieces may be produced.**
 - * **Do not touch the pliers to the coil of the fan motor because the coil may be cut or injured.**
 - * **Do not disfigure the bracket by touching with the pliers.**
8. Remove the fan blade from the shaft of the fan motor by pulling and rotating the fan blade with your hand.
 9. Now, the fan blade and the fan motor will be free.



Rear View



Side View



CAUTION:

- * **Do not reuse the removed fan blade because the hole (for shaft) may be larger than normal.**

INSTALLATION

1. Install the fan blade to the fan motor shaft according to the following procedure.
2. Hold the center of the bracket which supports the shaft of the fan motor on the flat table.
3. Apply the screw lock tight into the hole (for shaft) of the fan blade.
4. Install the fan blade to the shaft of fan motor by pushing the fan blade with a small, light weight, ball peen hammer or rubber mallet.

CAUTION:

- * **Do not hit the fan blade strongly when installed because the bracket may be disfigured.**
 - * **Make sure that the fan blade rotates smooth after installation.**
 - * **Make sure that the axis of the shaft is not slanted.**
5. Install the fan motor to the the oven cavity back plate with the two (2) screws.
 6. Connect the wire leads to the fan motor, referring to the pictorial diagram.

Rear View

Side View

AH SENSOR REPLACEMENT

REMOVAL

1. Disconnect the power supply cord and remove outer case.
2. Open the door and block it open.
3. Discharge high voltage capacitor.
4. Remove the two (2) screws holding the AH sensor to the sensor duct.
5. Disconnect the AH sensor harness from the connector CN-F on control unit.
6. AH sensor is now free

RE-INSTALL

1. Insert the new AH sensor into the sensor duct.
2. Install two (2) screws to secure the AH sensor.
3. Route the AH sensor harness across the oven cavity top plate and through the large opening.
4. Connect the AH sensor harness to CN-F on control unit.
5. Re-install the outer case cabinet and check for proper operation.

DOOR SENSING SWITCH/PRIMARY SWITCH/SECONDARY SWITCH AND MONITOR SWITCH REMOVAL

1. Disconnect the power supply cord and remove outer case.
2. Open the door and block it open.
3. Discharge high voltage capacitor.
4. Disconnect wire leads from the switches.
5. Remove two (2) screws holding latch hook to oven flange.
6. Remove latch hook assembly from oven flange.
7. Push outward on the two (2) retaining tabs holding switch in place.

8. Switch is now free.

At this time switch lever will be free, do not lose it.

Re-install

1. Re-install each switch in its place. The secondary interlock/monitor switches are in the lower position and the door sensing switch is in the upper position.
2. Re-connect wire leads to each switch. Refer to pictorial diagram.

- Secure latch hook (with two (2) mounting screws) to oven flange.
- Make sure that the monitor switch is operating properly

and check continuity of the monitor circuit. Refer to chapter "Test Procedure" and Adjustment procedure.

DOOR SENSING SWITCH/PRIMARY SWITCH/SECONDARY SWITCH AND MONITOR SWITCH ADJUSTMENT

- Disconnect the power supply cord, and then remove outer case.
- Open the door and block it open.
- Discharge high voltage capacitor.

If the door sensing switch, primary switch, secondary switch and monitor switch do not operate properly due to a misadjustment, the following adjustment should be made.

- Loosen the two (2) screws holding latch hook to the oven cavity front flange.
- With door closed, adjust latch hook by moving it back and forth, and up and down. In and out play of the door allowed by the upper and lower position of the latch hook should be less than 0.5mm. The vertical position of the latch hook should be adjusted so that the door sensing switch, primary switch and secondary switch are activated with the door closed. The horizontal position of the latch hook should be adjusted so that the plunger of the monitor switch is pressed with the door closed.
- Secure the screws with washers firmly.
- Check the operation of all switches. If each switch has not activated with the door closed, loosen screw and adjust the latch hook position.

After adjustment, check the following.

- In and out play of door remains less than 0.5mm when in the latched position. First check upper position of latch hook, pushing and pulling upper portion of door toward the oven face. Then check lower portion of the latch

hook, pushing and pulling upper portion of door toward the oven face. Both results (play in the door) should be less than 0.5mm.

- The door sensing switch, primary switch and secondary switch interrupt the circuit before the door can be opened.
- Monitor switch contacts close when door is opened.
- Re-install outer case and check for microwave leakage around door with an approved microwave survey meter. (Refer to Microwave Measurement Procedure.)

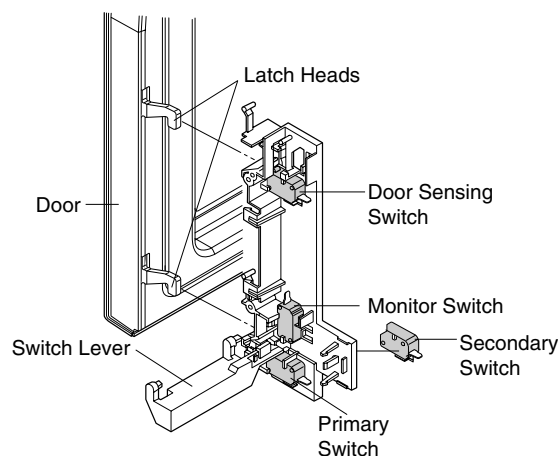


Figure C-3. Latch Switch Adjustments

DOOR REPLACEMENT

REMOVAL

- Disconnect the power supply cord.
- Push the open button and open the door slightly.
- Insert a putty knife (thickness of about 0.5mm) into the gap between the choke cover and door frame as shown in Figure C-4 to free engaging parts.
- Pry the choke cover by inserting a putty knife as shown Figure C-4.
- Release choke cover from door panel.
- Now choke cover is free.
- Release two (2) pins of door panel from two (2) holes of upper and lower oven hinges by lifting up.
- Now, door panel with door frame is free from oven cavity.

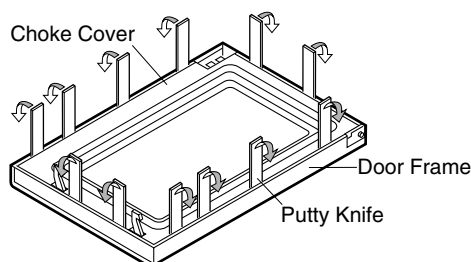


Figure C-4. Door Disassembly

- Release the door panel from twelve (12) tabs of door frame.
- Remove the door panel from the door frame.
- Now, door panel with sealer film is free.
- Tear sealer film from door panel.
- Now, door panel is free.
- Slide latch head upward and remove it from door frame with releasing latch spring from door frame and latch head.
- Now, latch head and latch spring are free.
- Remove door screen from door frame
- Now, door frame is free.

RE-INSTALL

- Re-install door screen to door frame.
- Re-install the latch spring to the latch head. Re-install the latch spring to the door frame. Re-install latch head to door frame.
- Re-install door panel to door frame by fitting twelve (12) tabs of door frame to twelve (12) holes of door panel.
- Put sealer film on door panel. Refer to "Sealer Film" about how to handle new one.
- Catch two (2) pins of door panel on two (2) hole of upper and lower oven hinges.

6. Re-install choke cover to door panel by pushing.

Note: After any service to the door;

(A) Make sure that door sensing switch and secondary interlock switch are operating properly. (Refer to chapter "Test Procedures").

(B) An approved microwave survey meter should be used to assure compliance with proper microwave radiation emission limitation standards.

After any service, make sure of the following :

1. Door latch heads smoothly catch latch hook through latch holes and that latch head goes through center of latch hole.
2. Deviation of door alignment from horizontal line of cavity face plate is to be less than 1.0mm.
3. Door is positioned with its face pressed toward cavity face plate.
4. Check for microwave leakage around door with an approved microwave survey meter. (Refer to Microwave Measurement Procedure.)

Note: The door on a microwave oven is designed to act as an electronic seal preventing the leakage of microwave energy from oven cavity during cook cycle. This function does not require that door be airtight, moisture (condensation)-tight or light-tight. Therefore, occasional appearance of moisture, light or sensing of gentle warm air movement around oven door is not abnormal and do not of themselves indicate a leakage of microwave energy from oven cavity.

SEALER FILM

Installation

1. Put the adhesive tape on the backing film of the sealer film as shown in Fig. C-6.
2. Tear the backing film by pulling the adhesive tape.
3. Put the pasted side of the sealer film on the door panel

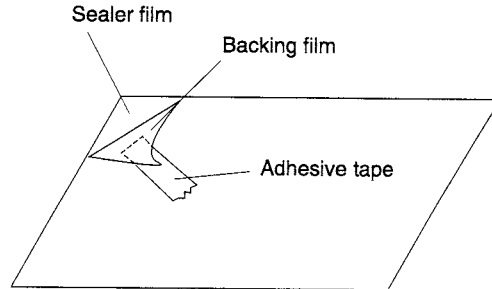


Figure C-6. Sealer film

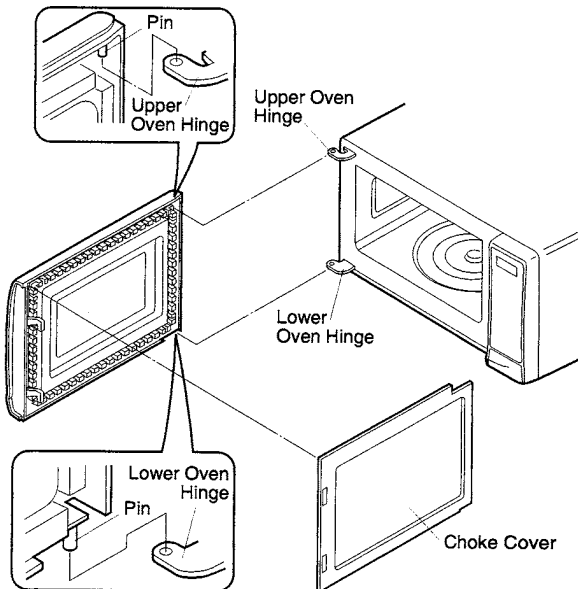


Figure C-5. Door Replacement

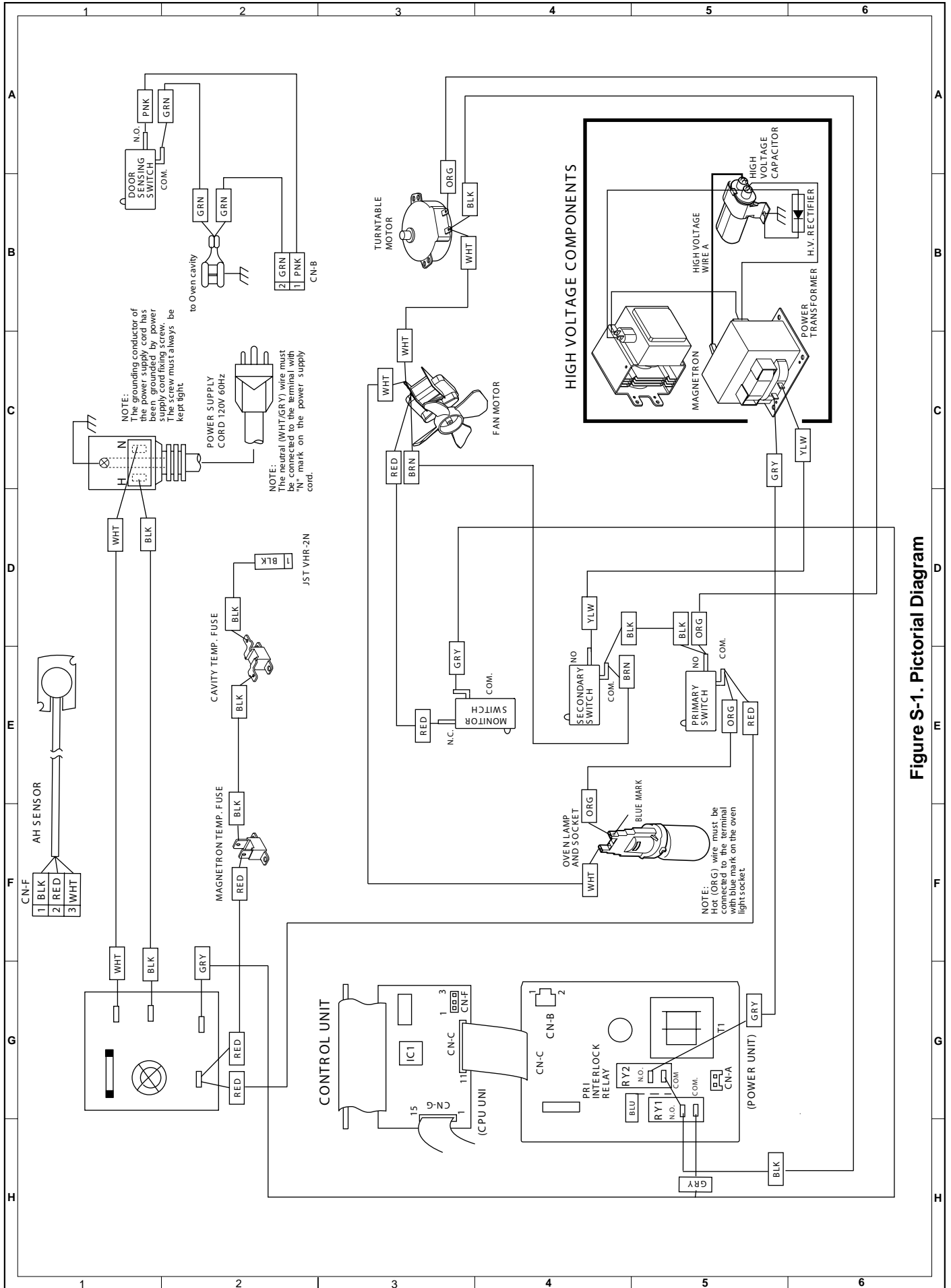


Figure S-1. Pictorial Diagram

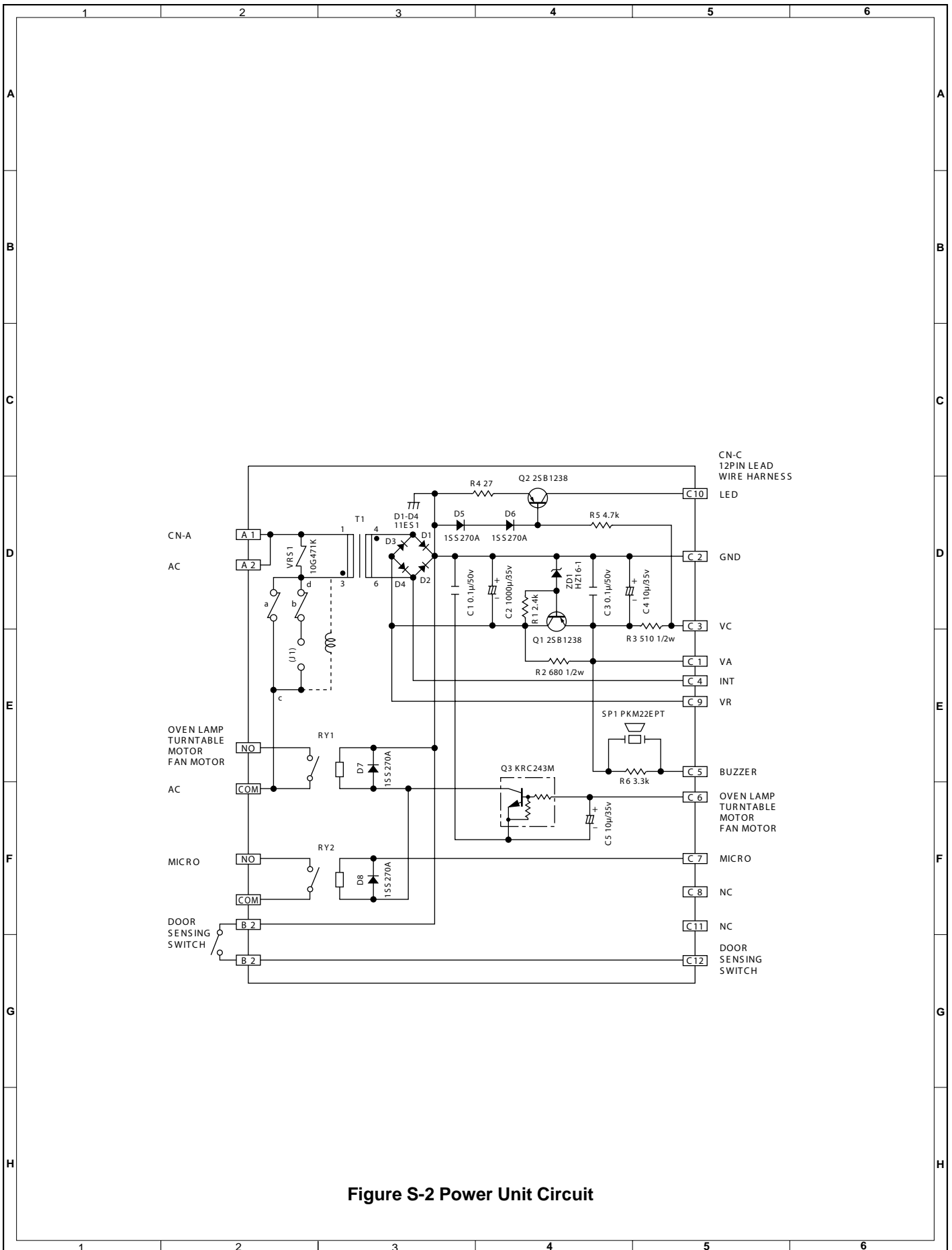


Figure S-2 Power Unit Circuit

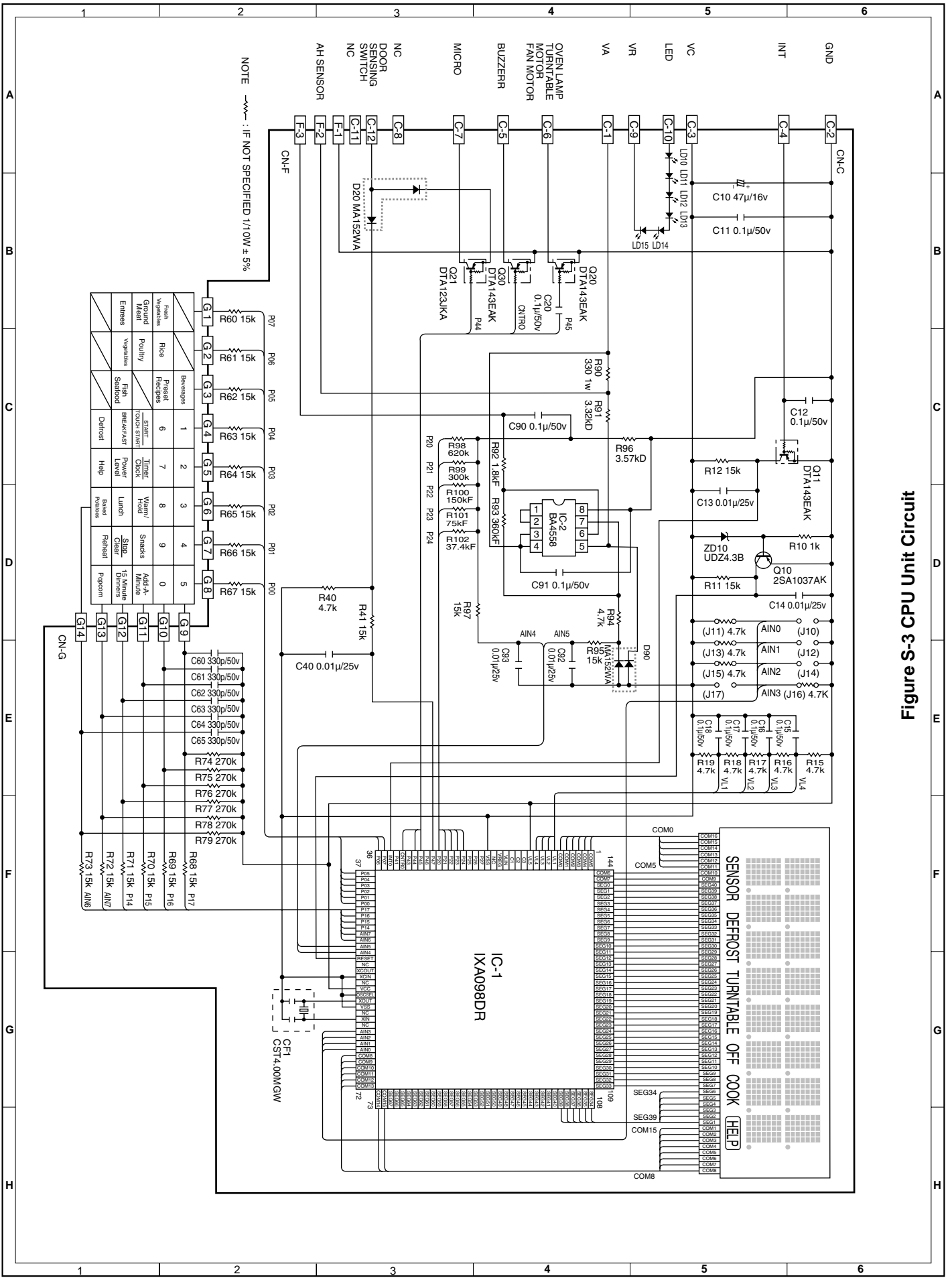


Figure S-3 CPU Unit Circuit

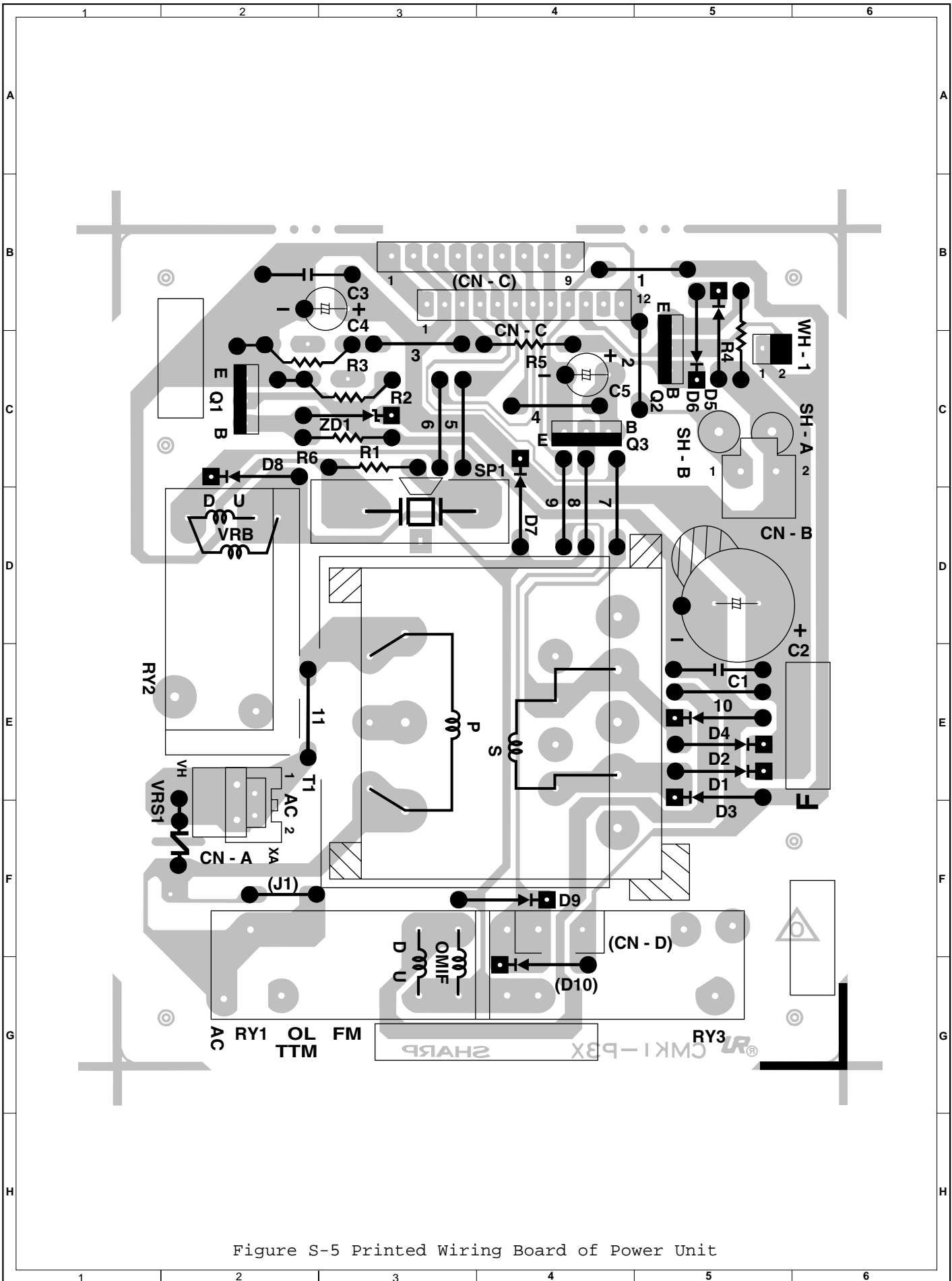


Figure S-5 Printed Wiring Board of Power Unit

PARTS LIST

**Note: The parts marked "Δ" may cause undue microwave exposure.
The parts marked "*" are used in voltage more than 250V.**

REF. NO.	PART NO.	DESCRIPTION	Q'TY
----------	----------	-------------	------

ELECTRIC PARTS

1- 1	PM100021	High voltage capacitor	1
1- 2	PM100005	High voltage rectifier assembly	1
1- 3	PM100018	Oven lamp socket	1
1- 4	PM100022	Oven lamp	1
1- 5	PM100024	Fan motor	1
1- 6	PM100004	Monitor switch (V-16G-2C25) and fuse assembly (20A 250V AC)	1
1- 7	PM100019	Secondary interlock switch and door sensing switch (V-5230Q)	2
1- 8	PM100016	Magnetron temperature fuse 150½C	1
1- 9	PM100017	Cavity temperature fuse 150½C	1
Δ Δ 1-10	PM100026	Magnetron	1
1-11	PM100023	Turntable motor	1
1-12	PM100025	Power transformer	1
1-13	PM100002	Power supply cord	1
1-14	PM100003	AH sensor	1
1-15	PM100008	Noise filter	1

CABINET PARTS

2- 1	PM110009	Base plate	1
2- 2	PM110010	Foot	4
2- 3	PM110007	Outer case cabinet	1

CONTROL PANEL PARTS

3- 1	PM100001	Control unit	1
3- 2	PM100007	Control panel frame with key unit (DMOS200/CDMOS200)	1
3- 2	PM100006	Control panel frame with key unit (VMOS200/CVMOS200)	1
3- 3	PM110014	Open button (DMOS200/CDMOS200)	1
3- 3	PM110013	Open button (VMOS200/CVMOS200)	1
3- 4	PM120008	Open button spring	1
3- 5	PM100015	LED sheet	1
3- 6	PM100014	LCD holder	1
3- 7	PM120026	Screw; 3mm x 10mm	3

OVEN PARTS

4- 1	PM100013	H.V. Capacitor band	1
4- 2	PM110017	Chassis support	1
4- 3	PM120014	Latch hook	1
4- 4	PM120006	Switch lever	1
4- 5	PM120013	Magnetron duct	1
4- 6	PM110018	Fan blade	1
4- 7	PM120011	Fan duct	1
4- 8	-----	Oven cavity (Not a replaceable part)	1
4- 9	PM110020	Waveguide cover	1
4-10	PM120015	Turntable motor packing	1
4-11	PM120012	Sensor duct	1
4-12	PM120010	Cushion	1
4-13	PM120009	Cushion	1
4-14	PM110016	Noise filter angle	1

REF. NO.	PART NO.	DESCRIPTION	Q'TY
----------	----------	-------------	------

DOOR PARTS

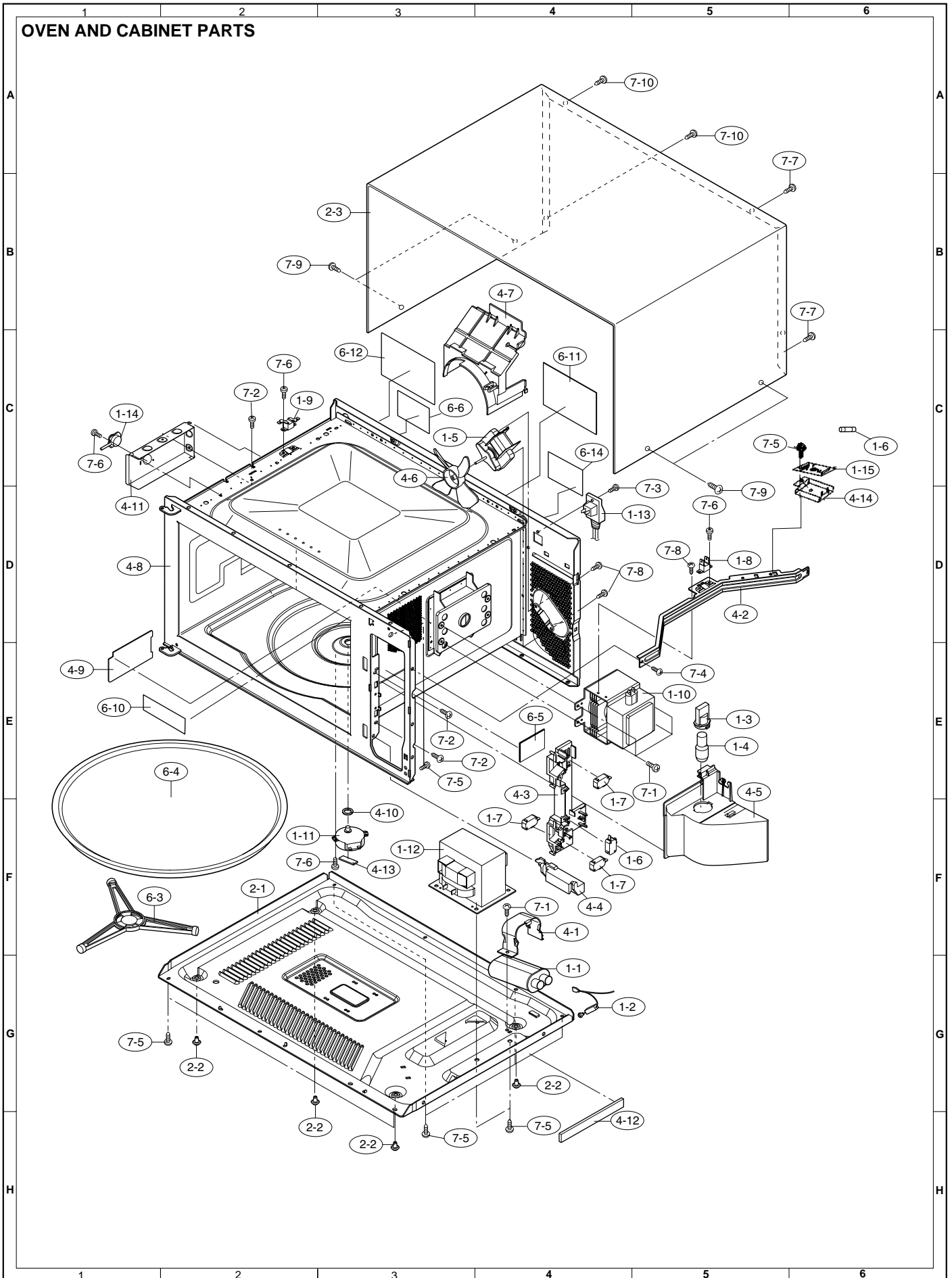
5 -1	PM110003	Door frame assembly (DMOS200)	1
5 -1	PM110004	Door frame assembly (CDMOS200)	1
5 -1	PM110001	Door frame assembly (VMOS200)	1
5 -1	PM110002	Door frame assembly (CV MOS200)	1
5-1-1	PM120001	Latch head	1
5-1-2	PM120007	Latch spring	1
5 -2	PM110005	Door panel	1
5- 3	PM120016	Sealer film	1
5- 4	PM110008	Choke cover	1
5- 5	PM120032	Door cushion	2
5- 6	PM120033	Door screws	3
5- 7	PM120026	Door screws	6

MISCELLANEOUS

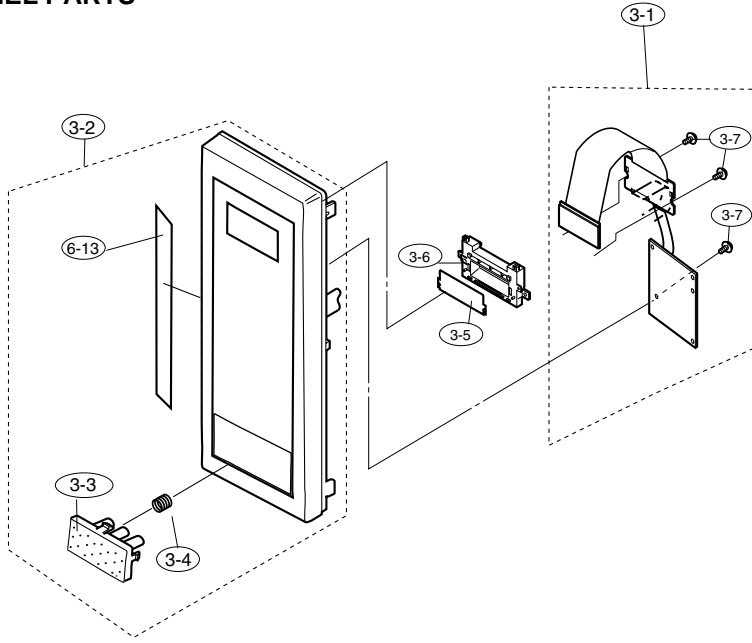
6- 1	PM100011	Stop switch harness	1
6- 2	PM100012	Main wire harness	1
6- 3	PM110006	Turntable support	1
6- 4	PM110019	Turntable tray	1
6- 5	PM120034	Monitor caution label	1
6- 6	PM120018	DHHS/Screw caution label	1
6- 7	PM120024	Operation manual	1
6- 8	PM100020	High voltage wire A	1
6- 9	PM120035	Recipe card	1
6-10	PM120036	Menu label	1
6-11	PM120017	DHHS/GRD/BIK caution	1
6-12	PM120019	Health Canada label	1
6-13	PM120021	User caution label	1
6-14	PM120022	BIK height caution label	1

SCREWS,NUTS AND WASHERS

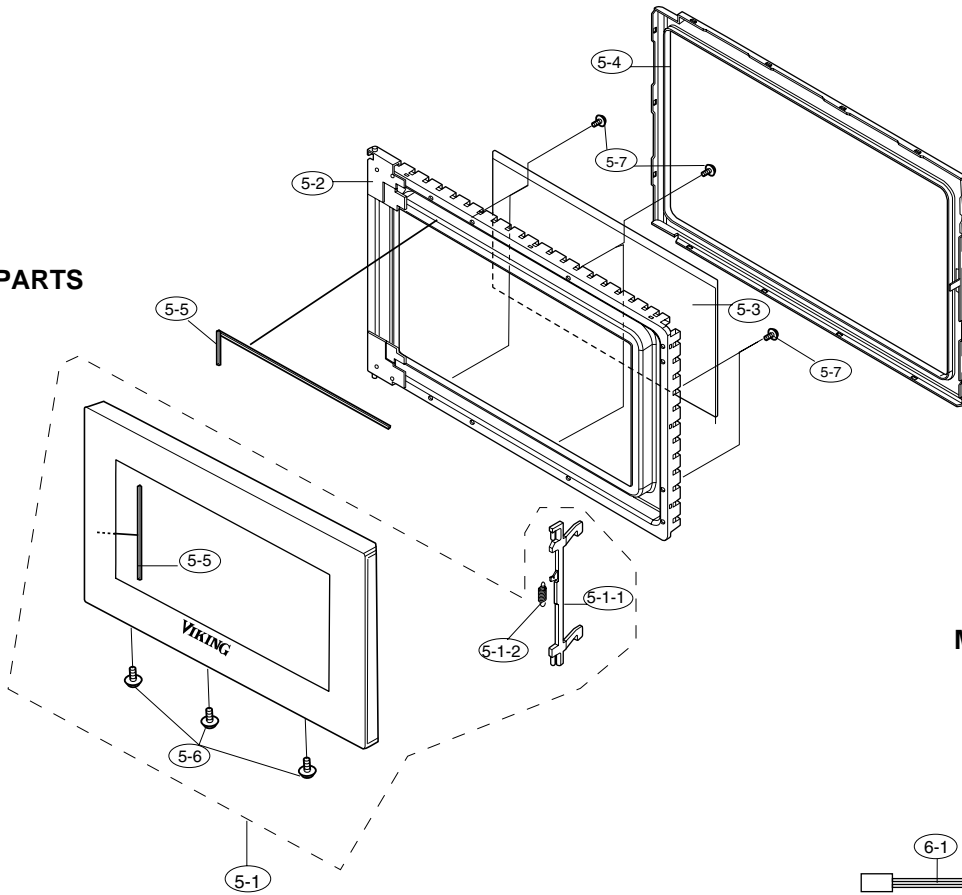
7- 1	PM120002	Special screw	5
7- 2	PM120003	Special screw	3
7- 3	PM120028	Screw : 4mm x 12mm	1
7- 4	PM120029	Screw	1
7- 5	PM120030	Screw : 4mm x 12mm	12
7- 6	PM120025	Screw : 3mm x 8mm	2
7- 7	PM120004	Special screw	2
7- 8	PM120027	Screw : 4mm x 8mm	3
7- 9	PM120037	Screw : 4mm x 12mm	4
7-10	PM120005	Special screw (Torx tamper proof screw)	2



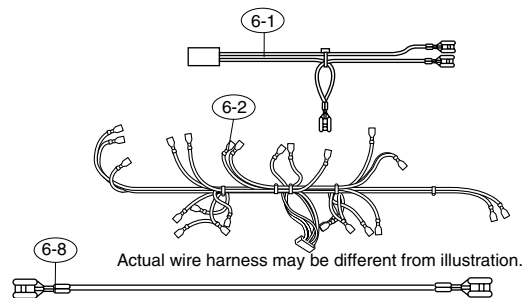
CONTROL PANEL PARTS



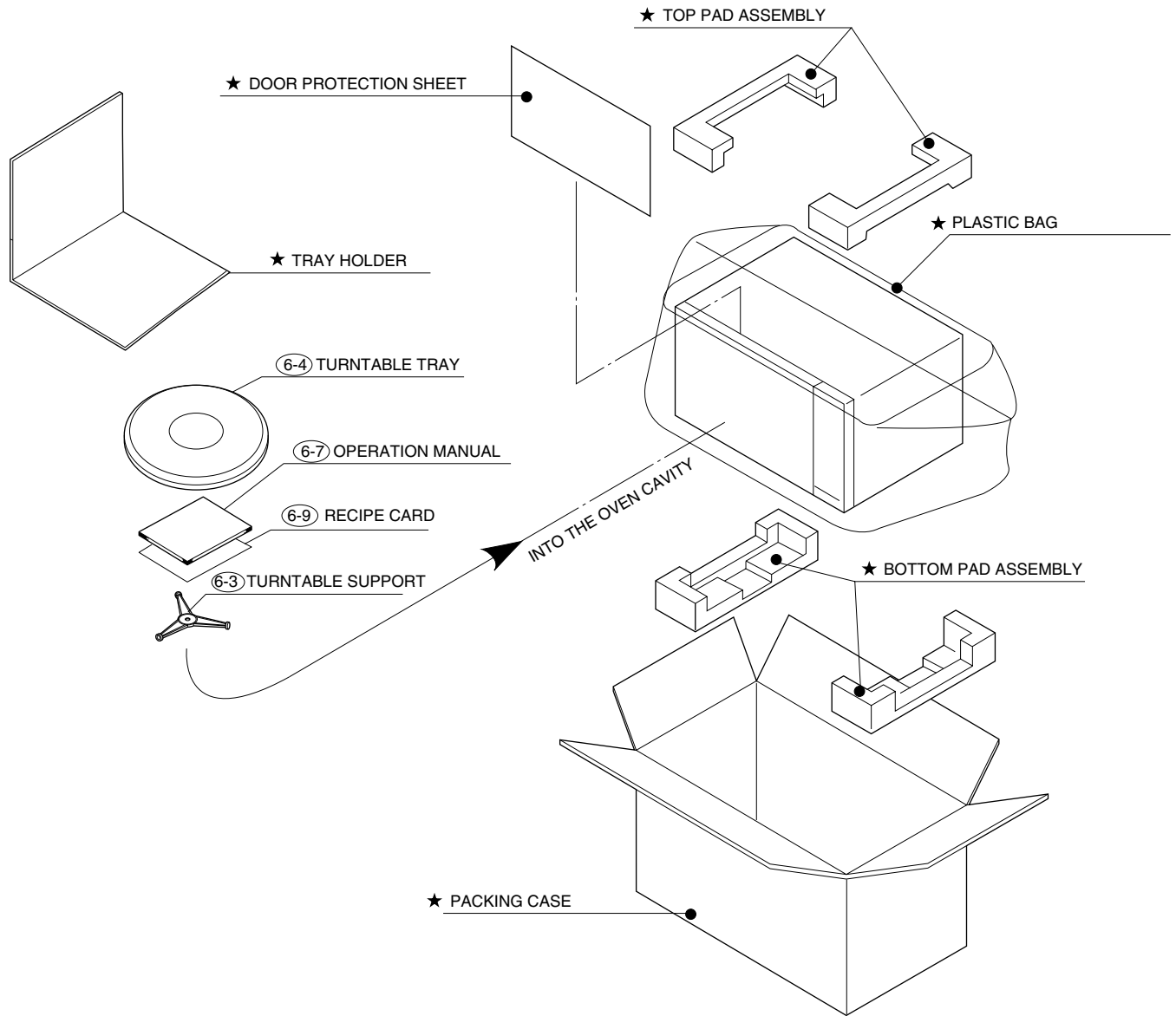
DOOR PARTS



MISCELLANEOUS



PACKING AND ACCESSORIES



★ Non-replaceable items.

VIKING

COPYRIGHT © 2002 BY VIKING

ALL RIGHTS RESERVED

No part of this publication may be reproduced, stored in a retrieval system, or transmitted in any form or by any means, electronic, mechanical, photocopying, recording, or otherwise, without prior written permission of the publisher.

VIKING RANGE CORPORATION

111 Front St., Greenwood, MS 38930
Tel: (888) 845-4641