



DISHWASHER

SERVICE MANUAL

NOTE

BEFORE SERVICING THE UNIT, PLEASE READ THIS MANUAL CAREFULLY FOR SAFETY AND CORRECT SERVICES.

MODEL : LDF9932(WW,BB,ST)

CONTENTS

1. CAUTION.....	4
2. SPECIFICATIONS	5
3. WIRING DIAGRAM.....	6
4. FEATURES & TECHNICAL EXPLANATION	7
5. PARTS NAME	11
6. PROGRAM CHART	12
7. HOW TO DISASSEMBLE	13
8. TROUBLE SHOOTING METHODS.....	22
A. TROUBLE SHOOTING ACCORDING TO DISPLAYED ERROR MESSAGE.....	22
B. STEAM GENERATOR ERROR MESSAGE.....	24
C. TROUBLE DIAGNOSES AND REPAIR BY SYMPTOM	25
9. INSTALLATION INSTRUCTION	29
10. EXPLODED VIEW	36

CAUTION !

- DISCONNECT POWER CORD BEFORE SERVICING
- RECONNECT ALL GROUNDING DEVICES

IMPORTANT SAFETY NOTICE !

This service information is intended for individuals possessing adequate backgrounds of electrical, electronic and mechanical experience.

Any attempt to repair this appliance may result in personal injury and property damage.

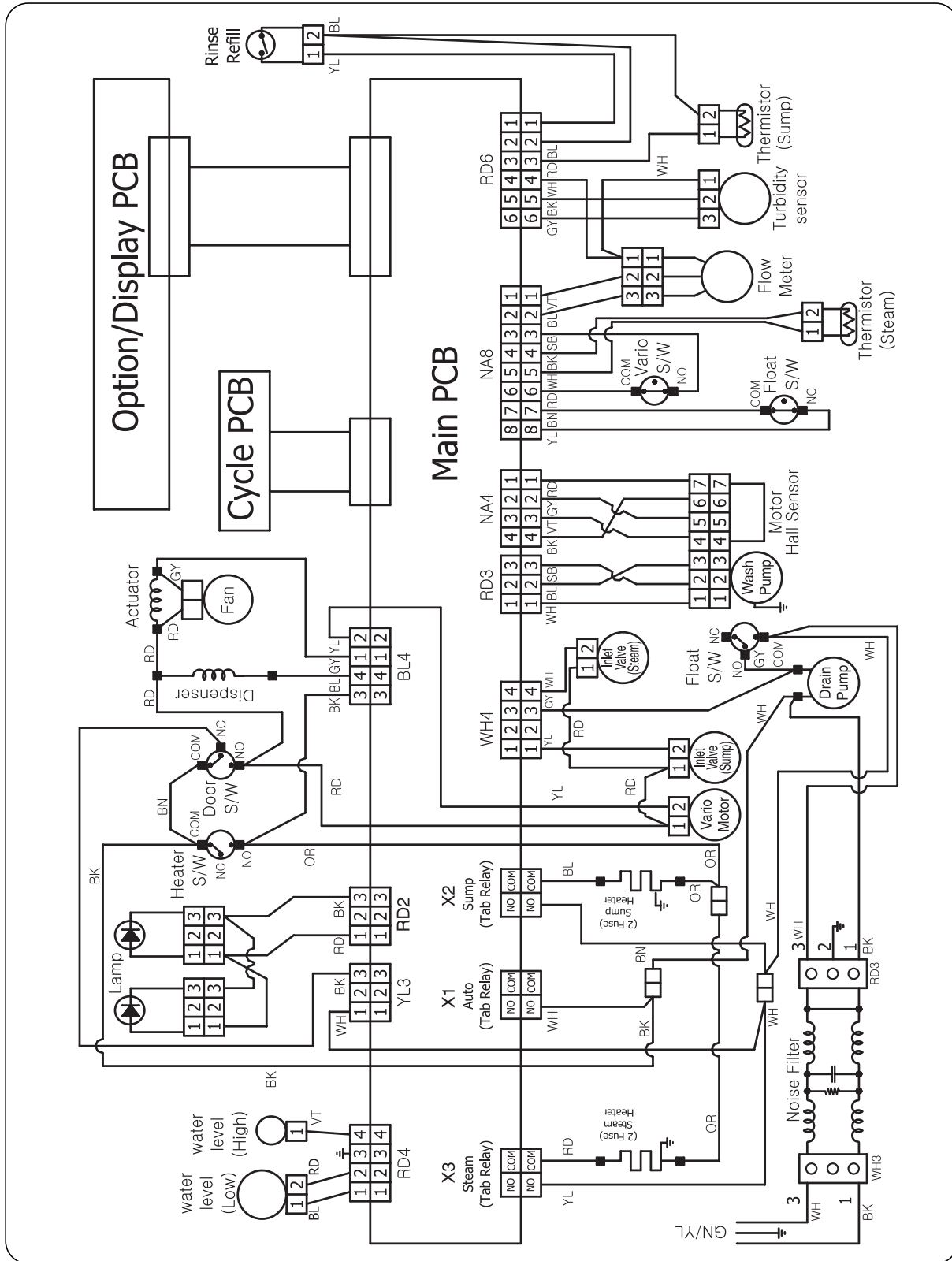
The manufacturer or seller can not be responsible for the interpretation of this information, nor can it assume any liability in connection with its use.

2. SPECIFICATION

ITEM	SPECIFICATION
Rated Voltage / Frequency	AC 120V/60Hz
Installation	Built-In
Place Settings	14
Product Dimension(in)	23 3/4"x 24 5/8"x 33 1/2"
Product Weight(lbs)	114lbs
Door Color	White, Black, Stainless
Tub Material	Stainless Steel
Control	Electronic
Rated Power(Watt)	1,350
Heater Power(Watt)	1,200
Programs	6
Upper Rack Position	Adjustable
Lower Rack	50% Fold down
Water Consumption (ℓ)	10-26 (Normal)
Power Consumption(kWh/year)	285-310
Operating Time (min)	97-124 (Normal)
Fan Dry System	Yes
Delay Start Function	Yes
Auto-Off Power Switch	Yes
Process Monitor	Yes
Wash Level	5
Racks	Nylon Coating
Operating Water Pressure (Bar)	20-120 (140-830kPa)

3. WIRING DIAGRAM

9932 series

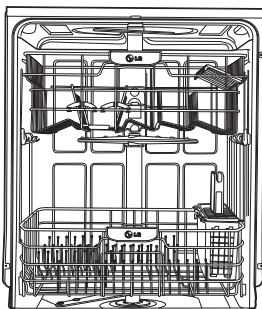


4. FEATURES & TECHNICAL EXPLANATION

4-1. Product Features

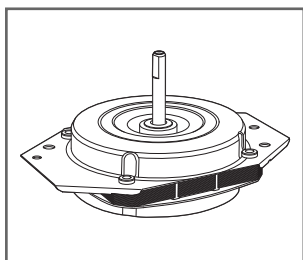
LARGE CAPACITY

LG dishwashers allow you to load very large items in both the upper and lower racks. The tall tub provides extra overall capacity and the clearance to accommodate large dishes. Extra large items (max. 14 in.) may be loaded in the lower rack by raising the upper rack.



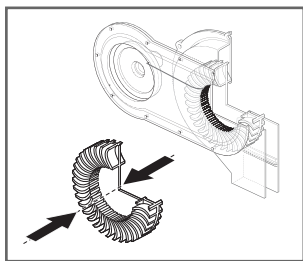
SLIM DIRECT MOTOR™

The new Slim Direct Motor™ is inverter-controlled. Wash power is controlled based on cycle selection. It also offers high energy efficiency to minimize energy use.



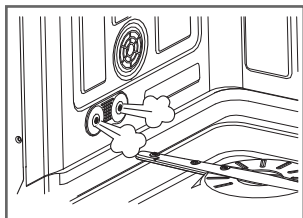
HYBRID DRYING SYSTEM

This system effectively dries dishes without the use of a heating element that would increase energy consumption.



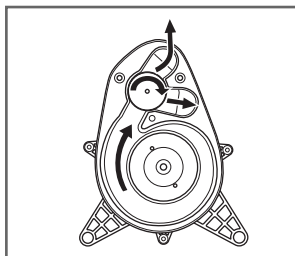
STEAM WASHING

Steam technology provides better cleaning performance than regular wash systems. Steam is the most energy efficient gentle care for your finest china and stemware.



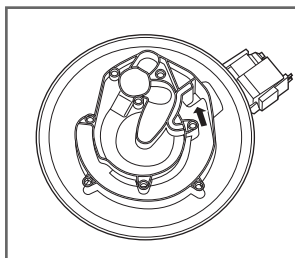
VARIO SPRAY SYSTEM

Because the water spray alternates between the upper and lower racks, all of the power from the motor is directed to one rack at a time. This concentrates all the cleaning power of the motor on each rack in turn.



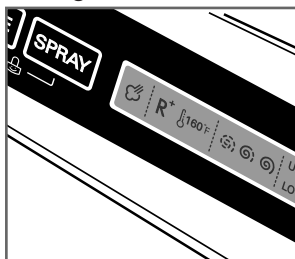
SOFT FOOD GRINDER AND SELF-CLEANING FILTER

For best wash results, your LG dishwasher has a built-in soft food grinder and a self-cleaning filter. The grinder grinds up soft food and residue into small particles that can be caught in the filter and washed down the drain. The self-cleaning filter system continuously cleans the wash water as it circulates to separate any residue from the wash water. All dirt and residue is easily washed down the drain.

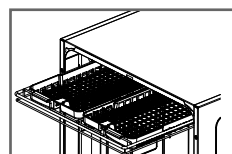


LIGHT TOUCH BUTTONS AND BLUE LCD

The light touch buttons on the control panel make selections easy and convenient, while the blue LCD display clearly displays the selected cycle and options.



REMOVABLE CUTLERY RACK

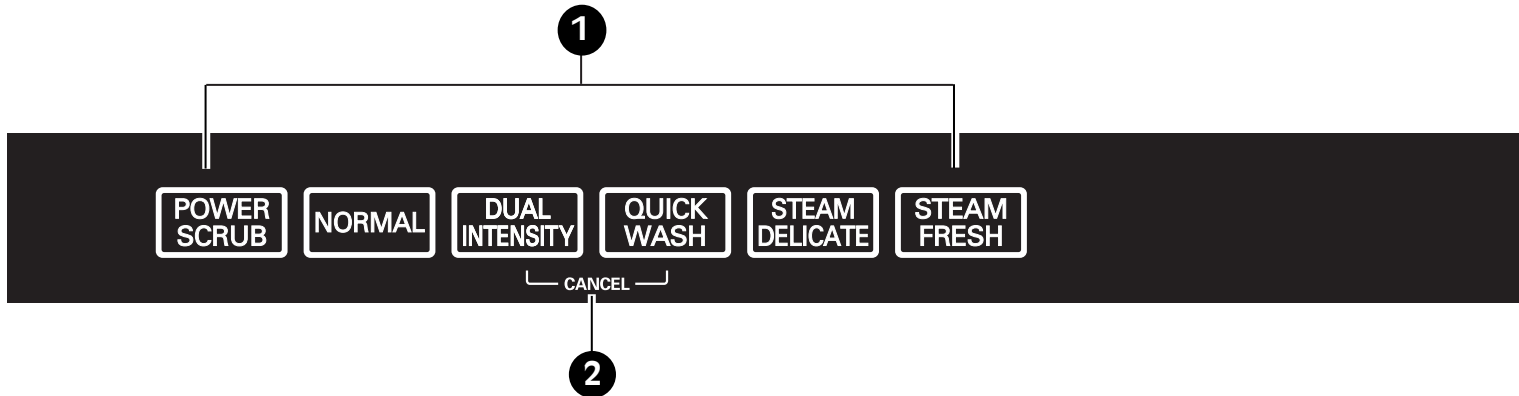


Third level cutlery rack makes it easy to load and unload flatware and cooking utensils.

Trays can be adjusted or removed to make more room for regular upper rack items.

4-2. Display Panel LDF 7932 Series

■ Control panel may vary on some models.



1 CYCLES

Press the cycle that corresponds to your desired wash cycle.

POWER SCRUB

This cycle is for very heavily soiled dishes.

NORMAL

This cycle is for normally soiled, everyday loads.

DUAL INTENSITY

This cycle washes the upper and lower racks at different spray intensities. The default setting for this cycle washes the lower rack with strong spray intensity and the upper rack with soft spray intensity. This provides optimum cleaning performance for mixed loads, including fine china and stemware. If other combinations are desired, use the steps listed below to change the intensities or to use the HALF LOAD feature.

How To Use Dual Intensity

1. Press and hold the **SPRAY** button for three seconds until the **UPPER** light begins to blink.
2. While the **UPPER** light is blinking, press the **SPRAY** button until the desired intensity for the upper rack is selected.
3. Press the **HALF LOAD** button to switch to the lower rack and use the **SPRAY** button to adjust to the desired intensity.
4. Selections can be cancelled by selecting any cycle except

QUICK WASH

This is a shortened cycle that is perfect for recently used or lightly soiled loads.

STEAM DELICATE

This cycle adds the gentle power of steam to boost the cleaning power of the delicate cycle. The cycle is perfect for effectively cleaning delicate items like fine china or stemware.

STEAM FRESH

This cycle can be used to freshen up dishes that may have been stored or not used for a long time.

CHIME ON/OFF

To enable or disable the chime, press and hold the Quick Wash and Rinse buttons for 2 seconds.

RINSE ONLY

This cycle is a quick rinse for dishes that will not be washed immediately. No detergent should be used.

To select the Rinse Only cycle, press the Power button; then press the Rinse button once without pressing any other cycle buttons.

NOTE: If a main cycle has been selected, the Rinse Only cycle will not be available without first shutting the power off.

2 CANCEL


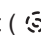
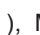
To cancel a running cycle, open the door and then press and hold the Dual Intensity and Quick Wash buttons together for 3 seconds. The drain pump will be activated and the cycle will be cancelled.

3 CYCLE OPTIONS AND DISPLAY

Press the desired cycle option buttons to select and set any of the dishwasher's options described below. The display will show the selected cycle times and cycle options.



SPRAY (INTENSITY)

Repeated pressing of the Spray button will select the desired spray. The strong, medium, or soft light will show in the top left portion of the display.

Soft (), Medium (), Strong ()

RINSE

Repeated pressing of the Rinse button will select the desired Rinse option. The Sanitary, Extra Rinse, or Sanitary and Extra Rinse lights will show in the bottom left portion of the display.

EXTRA RINSE(), SANITARY()

3

4

STEAM

RINSE

SPRAY



HALF LOAD

DELAY START

POWER

- If you select the Sanitary feature, the Sanitary light will blink until the water is heated to the sanitary temperature level*. Once the sanitary temperature level is reached, the light will stay on to indicate that the sanitary temperature has been reached.

***NOTE:** This high-temperature rinse sanitizes dishware and glassware in accordance with NSF/ANSI Standard 184 for residential dishwashers. Certified dishwashers are not intended for licensed food establishments.

- When you select Extra Rinse, an additional rinse cycle is added.
- Rinse Only is a wash cycle described on the previous page.

CHILD LOCK



Lamp will turn on when Child Lock setting is on.

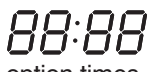
- To lock/unlock the buttons, press and hold the Delicate and Rinse Only Buttons simultaneously for 3 seconds with the door open.
- Lock the control buttons during cycle operation to prevent settings from being changed.

RINSE AID



Refill with rinse aid when the lamp turns on.

DIGITAL DISPLAY



The Digital Display on the control panel shows the estimated cycle and option times.

When the dishwasher is powered up, the display will be blank. When the cycle and options are selected, the display will show the total estimated time to complete those selections. During operation, the display shows the remaining estimated operating time.

NOTES:

- The estimated time shown in the display does not include delay times for heating water, etc.
- If Delay Wash is selected, the display shows the delay time in hours.

HALF LOAD

- For small loads, you may use just the upper or lower rack to save energy.
- Each press of the Half Load button cycles between upper rack only and lower rack only.
- If Half Load is not pressed, the dishwasher will run normally, with upper and lower spray arms operating alternately.

DELAY START

- To delay the start of a selected cycle, press the Delay Start button.
- Each time Delay Start is pressed will delay the start of the cycle by one additional hour.
- The delay start time can be set from 1 to 12 hours in one-hour increments.

STEAM

- Press the Steam button to add steam to a selected cycle.
- The Steam symbol will be lighted on when the STEAM option has been selected.
- The steam symbol will blink while steam is being injected into the dishwasher.

WARNING

Steam can cause burns. Use caution in the area of the steam nozzle on the left side of the dishwasher if the door is opened during the steam portion of a cycle. Contact with the steam or the steam nozzle can cause burns.

4 POWER

- Pressing the Power button turns on power to the controls.
- After the cycle is complete, the power automatically turns off for safety and economy.
- If there is a power surge, power outage, or disruption of any kind, the power will be automatically turned off for safety, and the cycle will need to be restarted.

4-3. TEST MODE LDF 7932 Series

CHECK PROGRAM

BUTTON	The number of pushing button	Top Display	Load and Checking points		Door open/ closed	Remark
			Load	LED lighting		
STEAM+RINSE+ POWER Buttonn	1 TIME	0n:3H/ 0U:00		All LEDs are lighting	Either	
POWER SCRUB	1 TIME	00:00		All LEDs are lighting	Either	
NORMAL	1 TIME	11:11		All LEDs are lighting	Either	
DUAL INTENSITY	1 TIME	22:22		All LEDs are lighting	Either	
QUICK WASH	1 TIME	33:33		All LEDs are lighting	Either	
STEAM DELICATE	1 TIME	44:44		All LEDs are lighting	Either	
STEAM FRESH	1 TIME	55:55		All LEDs are lighting	Either	
STEAM	1 TIME	66:66		All LEDs are lighting	Either	
RINSE	1 TIME	77:77		All LEDs are lighting	Either	
SPRAY	1 TIME	88:88		All LEDs are lighting	Either	
HALF LOAD	1 TIME	99:99		All LEDs are lighting	Either	
DELAY START	1 TIME	Steam generator Temp(°C)	Steam generator Thermistor	All LEDs	Either	
	2 TIME	0n:H1	Steam generator Heater (for 1.2 sec)	All LEDs	Closed	
	3 TIME	0n:33	Drain Pump	All LEDs	Either	See Test 3
	4 TIME	Frequency	Inlet Valve	All LEDs	Closed	See Test 4
	5 TIME	0n:35	Dispenser	All LEDs	Closed	See Test 5
	6 TIME	0n:36	Sump Heater (for 10 sec)	All LEDs	Closed	See Test 6
	7 TIME	0n:37	Fan Motor	All LEDs	Closed	See Test 7
	8 TIME	0n:38		All LEDs	Closed	
	9 TIME	Sump Temp(°C)	Sump Thermistor	All LEDs	Either	
	10 TIME	Soil level	Soil sensor	All LEDs	Either	See Test 1
	11 TIME	0n:3b/Motor RPM	Wash Pump	All LEDs	Closed	
	12 TIME	Steam generator Water level	Water level	All LEDs	Either	
	13 TIME	0n:3d	Lower Nozzle (Vario)	All LEDs	Closed	See Test 8
	14 TIME	0n:3E	Upper Nozzle (Vario)	All LEDs	Closed	See Test 8
	15 TIME	0n:3F (RPM,Frequency)	W/Pump+Vario+ Heater (for 1min)	All LEDs	Closed	
	16 TIME		Auto-Off		Closed	

① Normal water level : 270 ~ 275

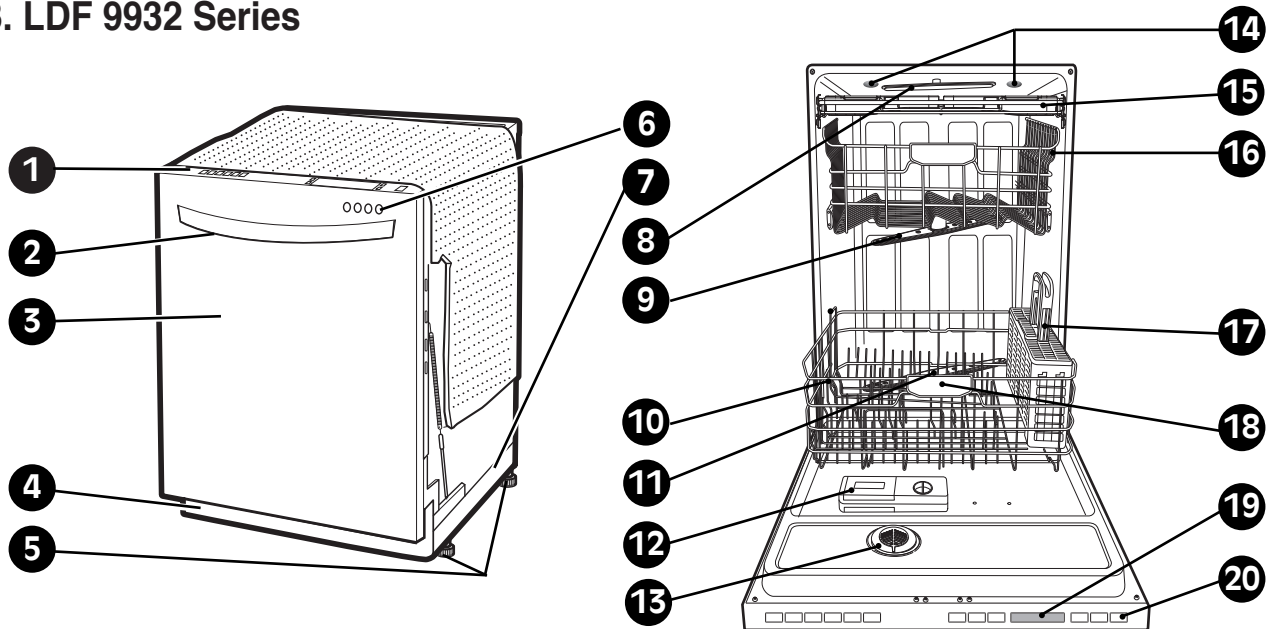
② Pure water : more than 130

③ H: High water level / L: Low water level

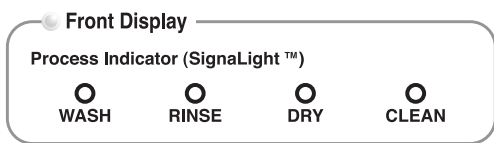
※ Steam Demo mode : Steam + Power

5. PARTS NAME

5-3. LDF 9932 Series



- 1 CONTROL PANEL**
- 2 DOOR HANDLE**
- 3 FRONT COVER**
- 4 LOWER COVER**
- 5 LEVELING FEET**
- 6 FRONT DISPLAY (Signalight™)**
- 7 BASE**
- 8 TOP SPRAY ARM**
- 9 UPPER SPRAY ARM**
- 10 STEAM NOZZLE**
- 11 LOWER SPRAY ARM**
- 12 DETERGENT AND RINSE AID DISPENSER**
- 13 DRYING VENT COVER**
- 14 TUB LAMP (Illumitub™)**
- 15 CUTLERY RACK**
- 16 UPPER RACK**
- 17 SILVERWARE BASKET**
- 18 LOWER RACK**
- 19 TOP DISPLAY**
- 20 POWER BUTTON**



※ The appearance and specifications may be varied without notice according to localities.

6. PROGRAM CHART(SCHEMATIC DIAGRAM)

LDF 9932 Series

Program chart

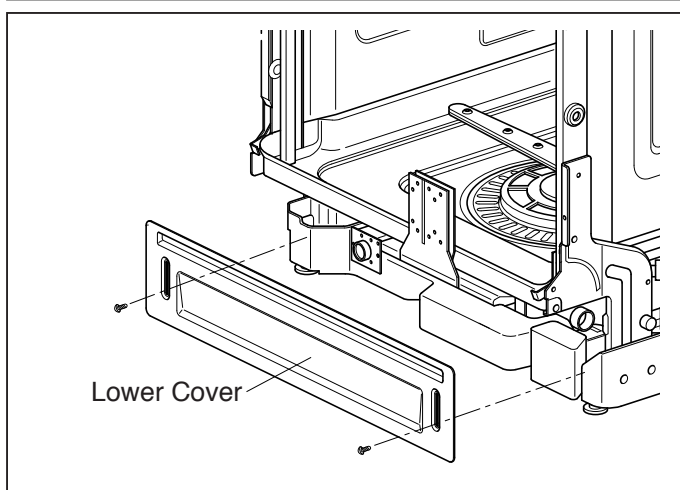
Cycle	Program	Pre wash1					Pre wash2					Pre wash3					Main wash					Rinse1					Rinse2					Heating Rinse					Dry												
		Drain	Water supply	Stop	Wash	Drain	Drain	Water supply	Stop	Wash	Drain	Drain	Water supply	Stop	Wash	Drain	Drain	Water supply	Stop	Wash	Drain	Drain	Water supply	Stop	Wash	Drain	Drain	Water supply	Stop	Wash	Drain	Drain	Water supply	Stop	Wash	Drain	Heating A	Heating B	Drain	Stop	Drain	Steam	Dry						
Power Scrub (Vario)	Auto(1)	17			11																																												
	Power Scrub Steam	60	1	43	2	16	12	0	0	46	3	20	43	2	16	12	0	0	46	3	20	43	2	16	12	0	0	46	3	20	43	2	16	12	0	0	46	3	20	43	2	80	10	15	28		60		
Normal (Vario)	Auto(1)	12			6																																												
	Normal Steam (Vario)	60	1	43	2	16	12	0	0	46	3	20	43	2	16	12	0	0	46	3	20	43	2	16	12	0	0	46	3	20	43	2	16	12	0	0	46	3	20	43	2	80	10	15	28		60		
Dual Intensity (Vario)	Auto(1)	11			11																																												
	Dual Intensity Steam	60	1	43	2	16	12	0	0	46	3	20	43	2	16	12	0	0	46	3	20	43	2	16	12	0	0	46	3	20	43	2	16	12	0	0	46	3	20	43	2	80	10	15	28		60		
Quick Wash (Vario)	Auto(1)	6			6																																												
	Quick Wash Steam	60	1	43	2	16	12	0	0	46	3	20	43	2	16	12	0	0	46	3	20	43	2	16	12	0	0	46	3	20	43	2	16	12	0	0	46	3	20	43	2	80	10	15	28		60		
Delicate (Vario)	Auto(1)	11			7																																												
	Delicate Steam	60	1	43	2	16	12	0	0	46	3	20	43	2	16	12	0	0	46	3	20	43	2	16	12	0	0	46	3	20	43	2	16	12	0	0	46	3	20	43	2	80	10	15	28		60		
Fresh (Vario)	Auto(1)																																																
	Fresh Steam (Vario)	60	1	43	2	16	12	0	0	46	3	20	43	2	16	12	0	0	46	3	20	43	2	16	12	0	0	46	3	20	43	2	16	12	0	0	46	3	20	43	2	80	10	15	28		60		
Rinse Only (Vario)	Auto(1)																																																
	Rinse Only (Vario)	60	1	43	2	16	12	0	0	46	3	20	43	2	16	12	0	0	46	3	20	43	2	16	12	0	0	46	3	20	43	2	16	12	0	0	46	3	20	43	2	80	10	15	28		60		

7. HOW TO DISASSEMBLE

BEFORE DISASSEMBLING THE DISHWASHER ;

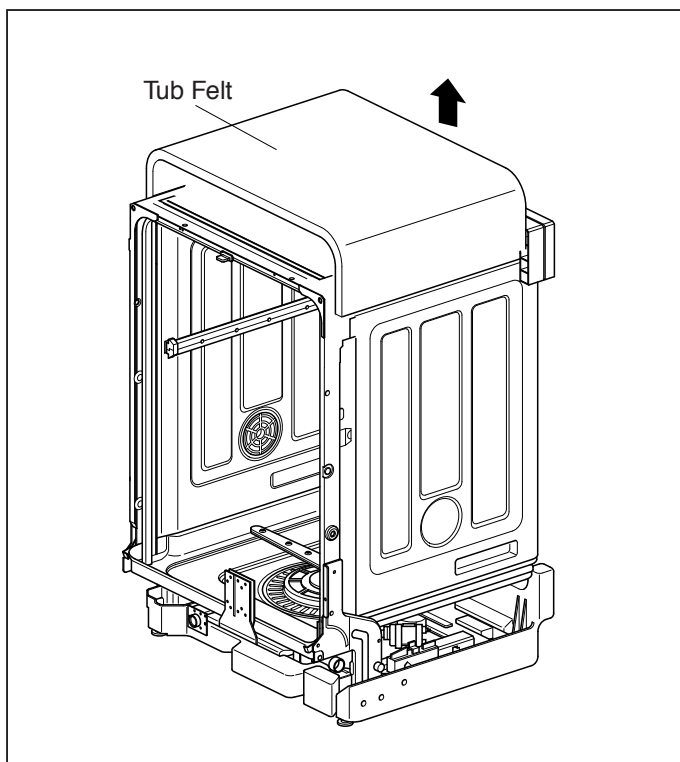
- 1) Remove the cord from electric outlet to avoid electric shock.
- 2) Close the Water Tap (faucet).
- 3) Remove all dishes and items in the dishwasher.
- 4) Remove the Lower Rack and the Upper Rack.
- 5) Remove the inlet hose and drain hose connection to avoid the hose damages.
- 6) Prepare some towels to avoid floor wet by the water left in the dishwasher.

7-1. FULL DISASSEMBLE



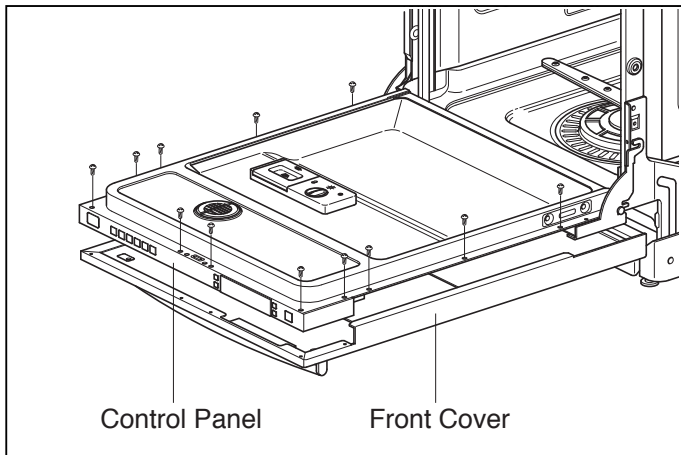
1. Lower Cover and Lower Felt

- 1) Remove the front 2 screws.
- 2) Remove the Inlet Hose and Power Supply Cable.



2. Tub Felt

- 1) Tub Felt
 - ① Pull the Tub Felt.



3-1. Door Assembly

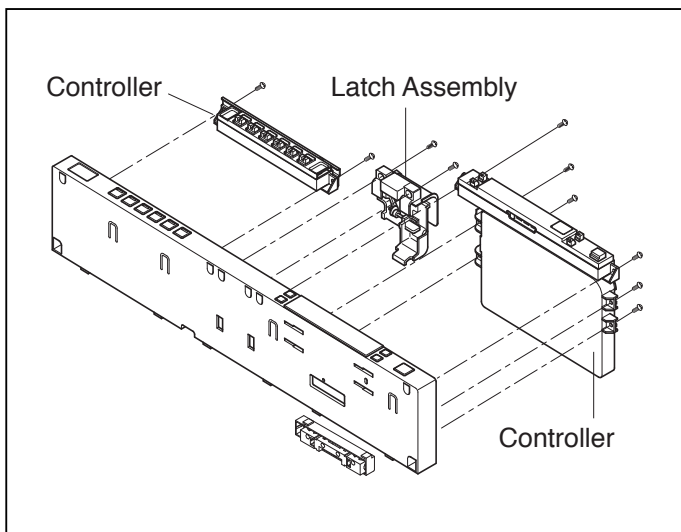
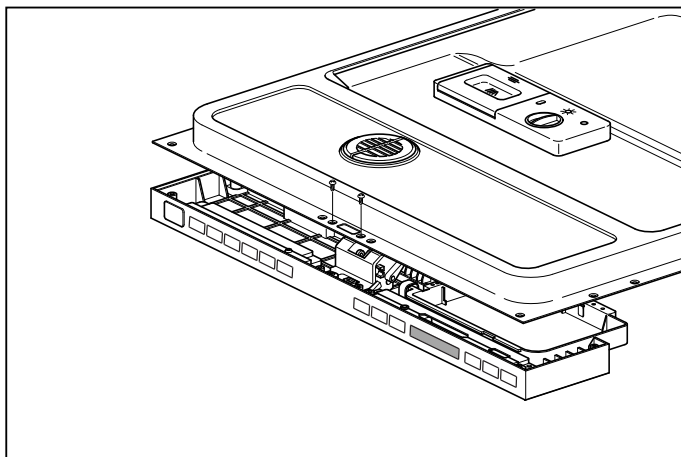
1) Front Cover

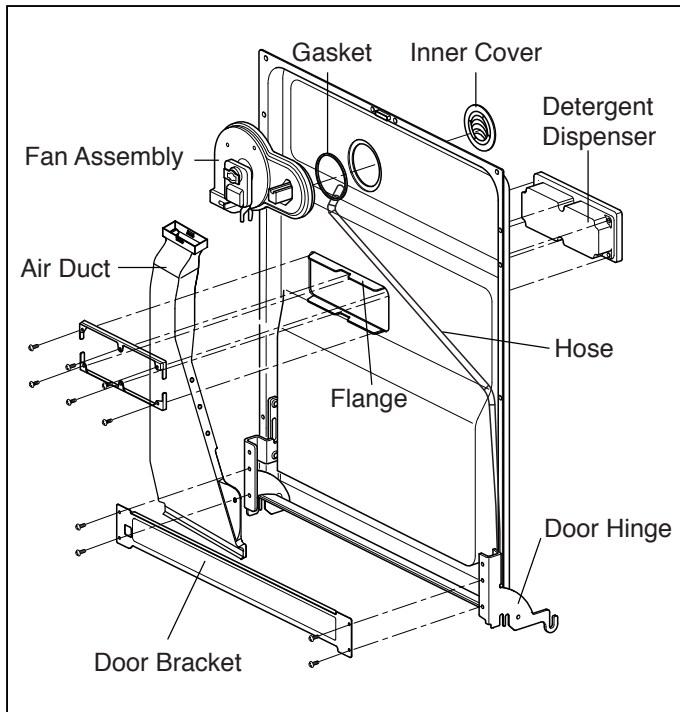
- ① Open the door.
- ② Remove 12 screws(stainless).

2) Control Panel Assembly

- ① Remove 2 screws(Stainless).
 - ② Remove the wire connections.
- Be sure the wiring should not be changed in reassembling

- ③ Remove the Latch assembly.
- ④ Remove the Front Display.
- ⑤ Remove 8 screws for Controller.



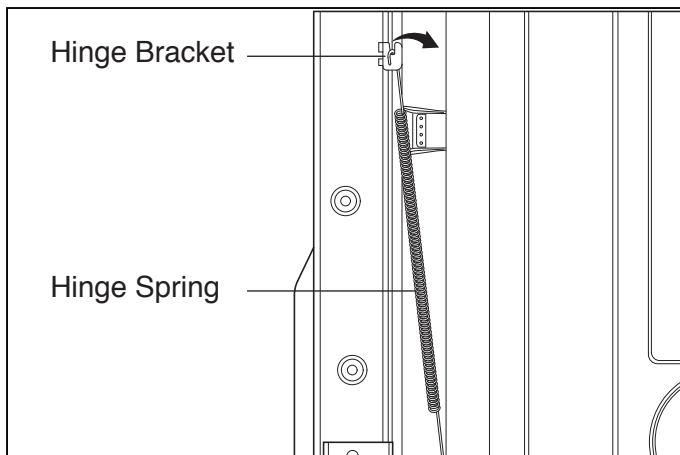


3) Fan Assembly

- ① Open the door.
- ② Remove 4 screws and a earth screw for Door Bracket.
- ③ Remove the wire connetions.
- ④ Remove the Air Duct.
- ⑤ Turn the Inner Cover counterclockwise.

4) Detergent Dispenser

- ① Close the door
- ② Remove the wire connections.
- ③ Remove 6 screws with brackets.
- ④ Push the Detergent slowly pulling up the the Flange by Standard Screwdriver.

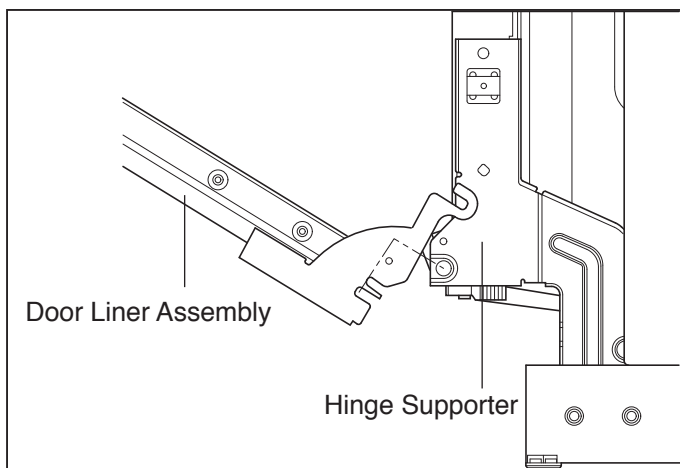


5) Door Spring (Right & Left)

- ① Push the Spring upwards and take it off from the Hinge Bracket.

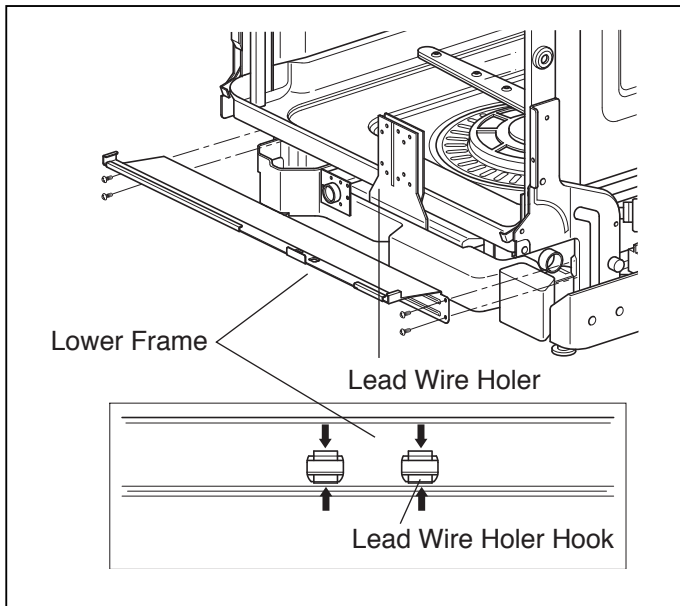
Be careful not to be injured by the sharpedge of Tub.

- ② Take off the Hinge Link from the Hinge.



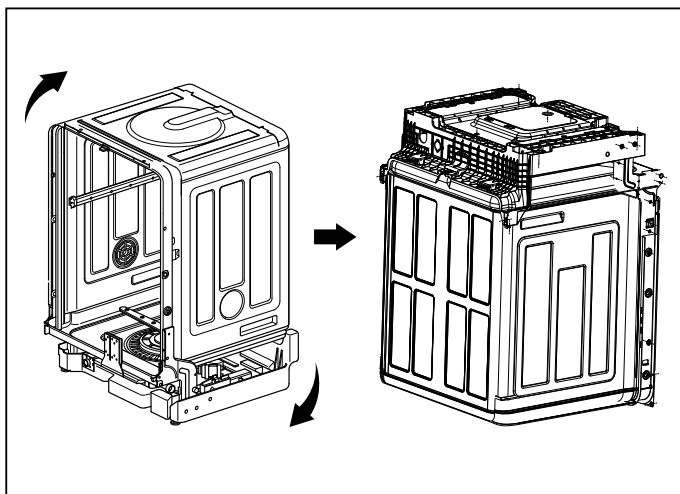
6) Door Liner

- ① Open the door.
- ② Pull the Door Liner and take it off from the Hinge Supporter.

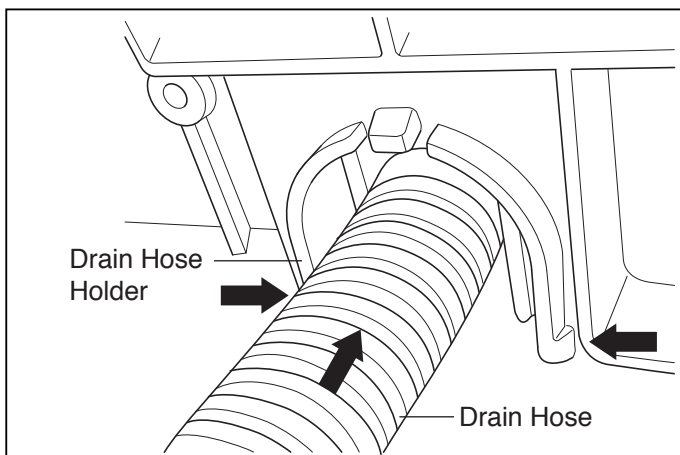


4. Lower Frame

- 1) Press the holder hook as shown in figure.
- 2) Remove 4 screws.

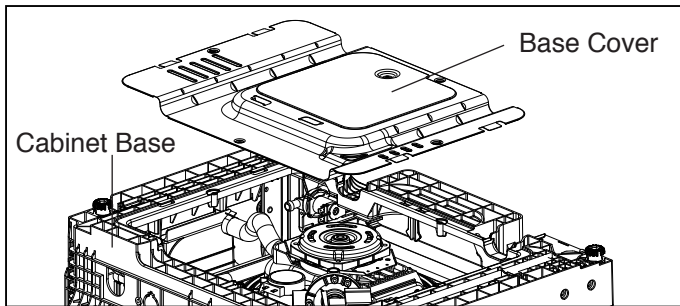


5. Put the Dishwasher upside down.



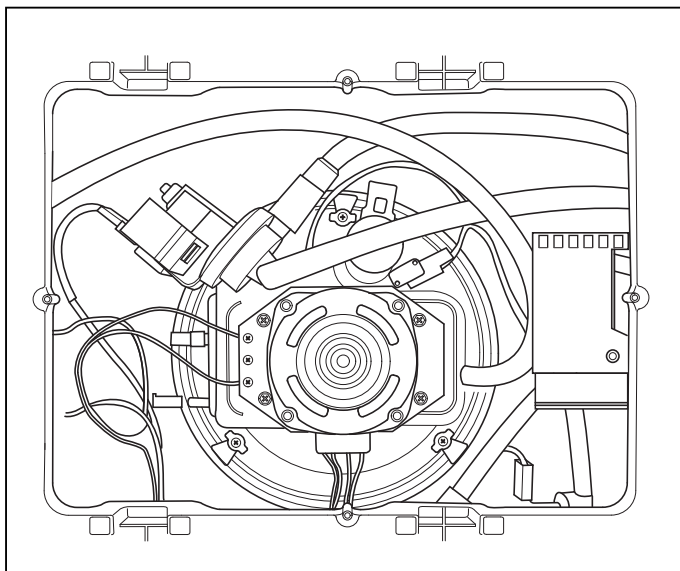
6. Drain Hose Holder

- 1) Press the holder hook as shown in figure.
- 2) Pull the Drain Hose and remove the Drain Hose Holder.



7. Base Cover

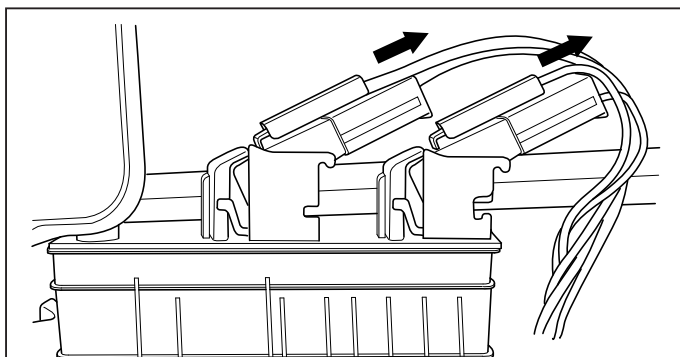
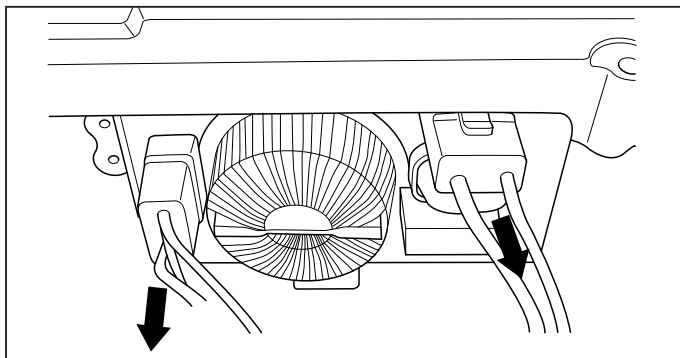
- 1) Remove 2 screws.
- 2) Pull the Base Cover out.

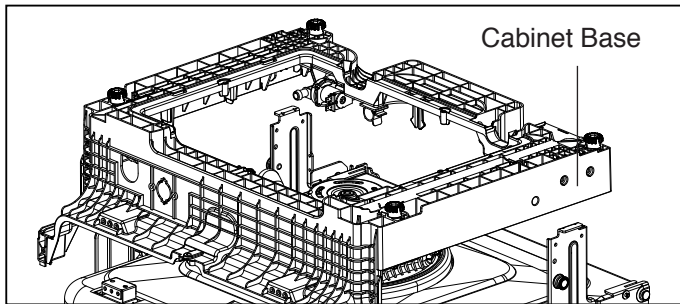


8. Harness & Hose Assembly

- 1) Remove the wiring connections.
- 2) Remove the Hose connections from Sump Assembly.

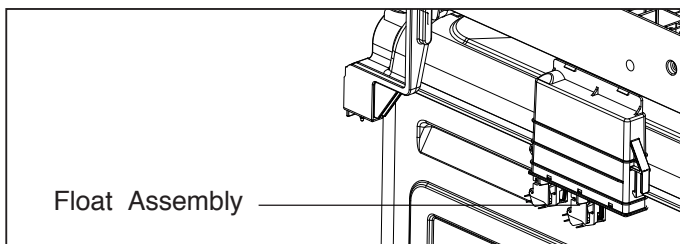
You can see the information of Wiring Diagram at the back of Lower Cover.





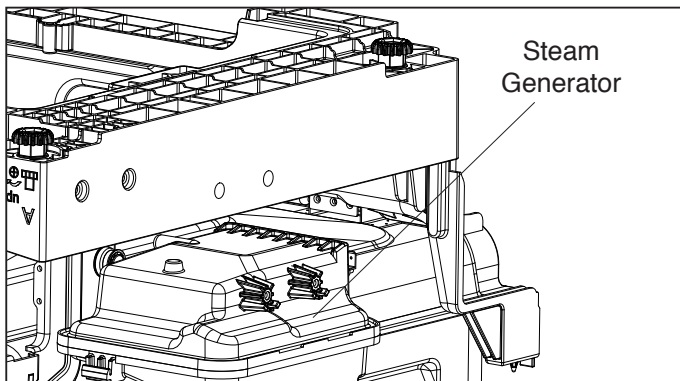
9. Cabinet Base

- 1) Remove 8 screws.
- 2) Lift it upward.



10. Float Assembly

- 1) Press the Float hook.
- 2) Pull the Float Assembly

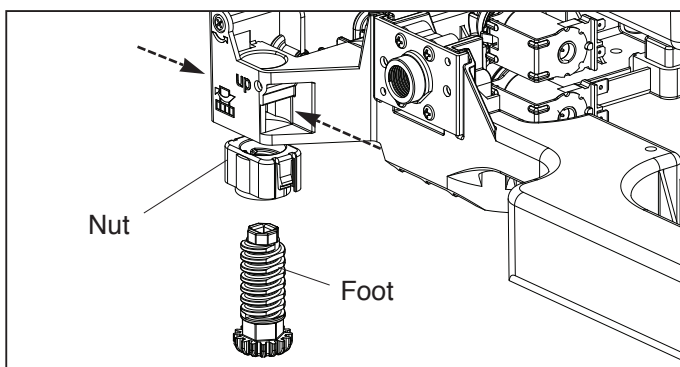
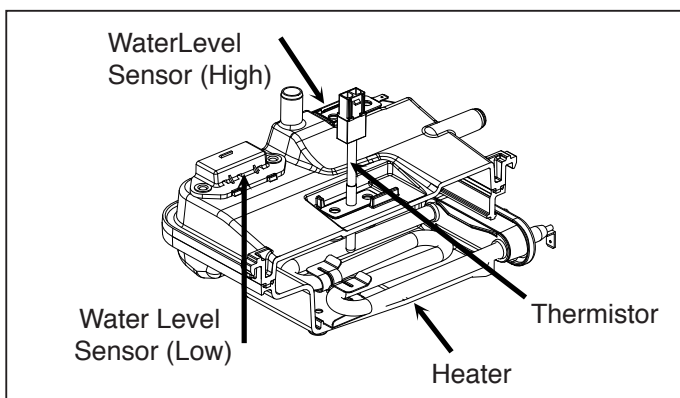


11. Steam Generator

- 1) Disconnect the 3 hoses assembly.
- 2) You can disassemble the Steam generator by removing the 2 screws.

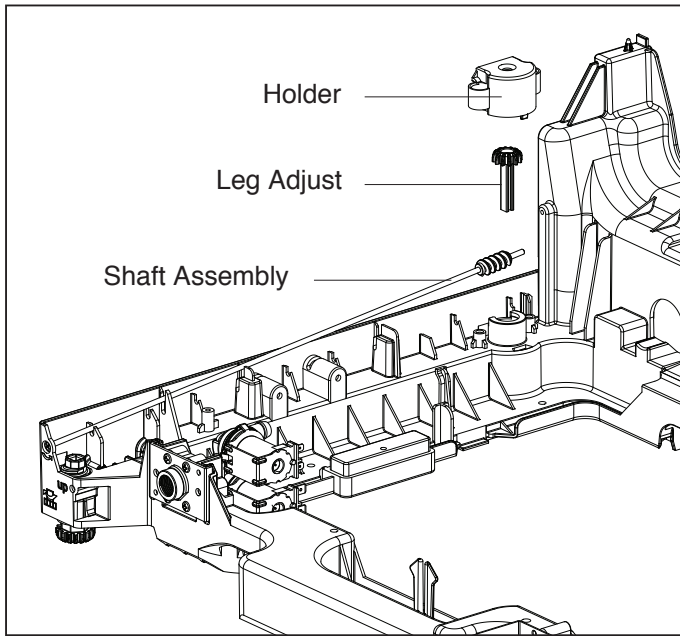
CAUTION

Be cautious in case of the generator is hot temperature.



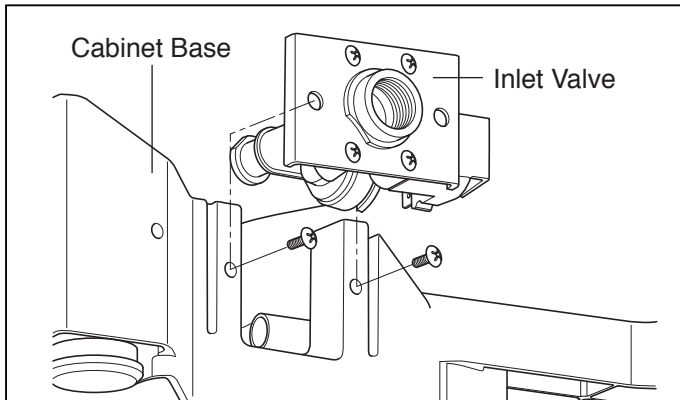
12. Foot & Nut

- 1) Pull the Foot twisting
- 2) Pull the Nut pushing the hook.



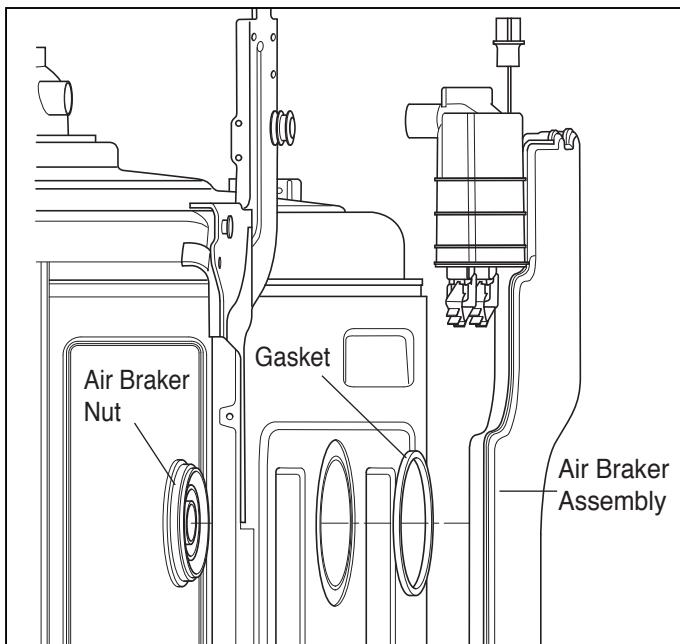
13. Rear Leg Adjustment System

- 1) Remove 2 screws.
- 2) Pull the Holder.
- 3) Pull the Leg Adjust.
- 4) Pull the Shaft Assembly.



14. Inlet Valve

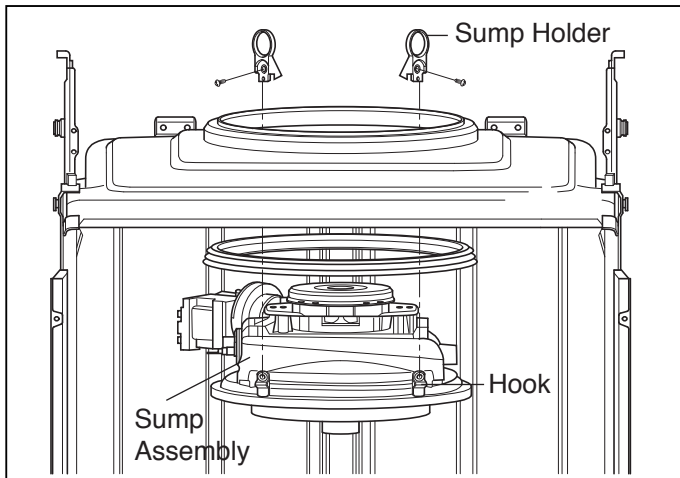
- 1) You can disassemble the Inlet Valve by removing the 2 screws.



15. Air Braker Assembly

- 1) Disconnect the 3 hoses assembly.
- 2) Turn the Air Braker Nut counterclockwise.

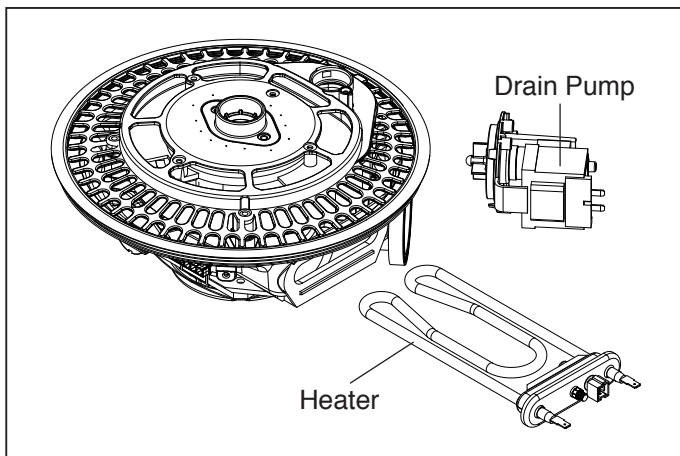
Be careful the o-ring should not be lost.



16. Sump Assembly

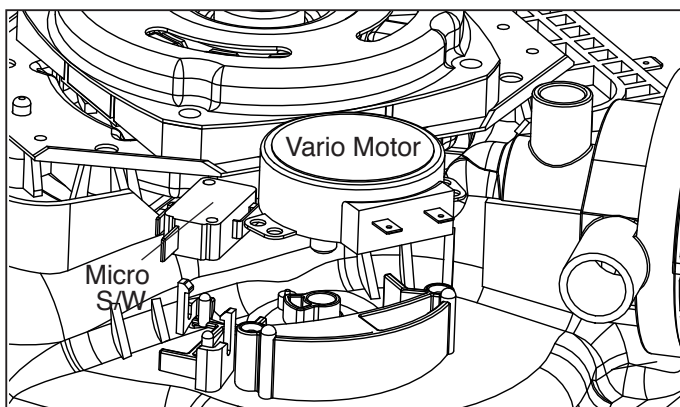
- ① Remove 2 screws.
- ② Remove the Sump Holder and push the Sump Assembly down with pulling aside Hook.

Be careful not to drop the Sump Assembly to the bottom.



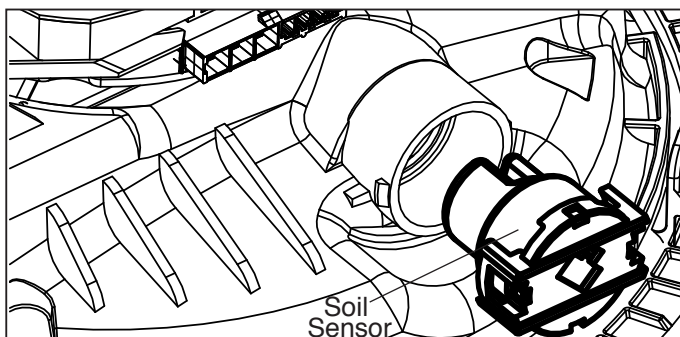
1) Heater & Drain Motor

- ① Pull the Heater out of the Sump after releasing the nut.
- ② Remove 3 screws.



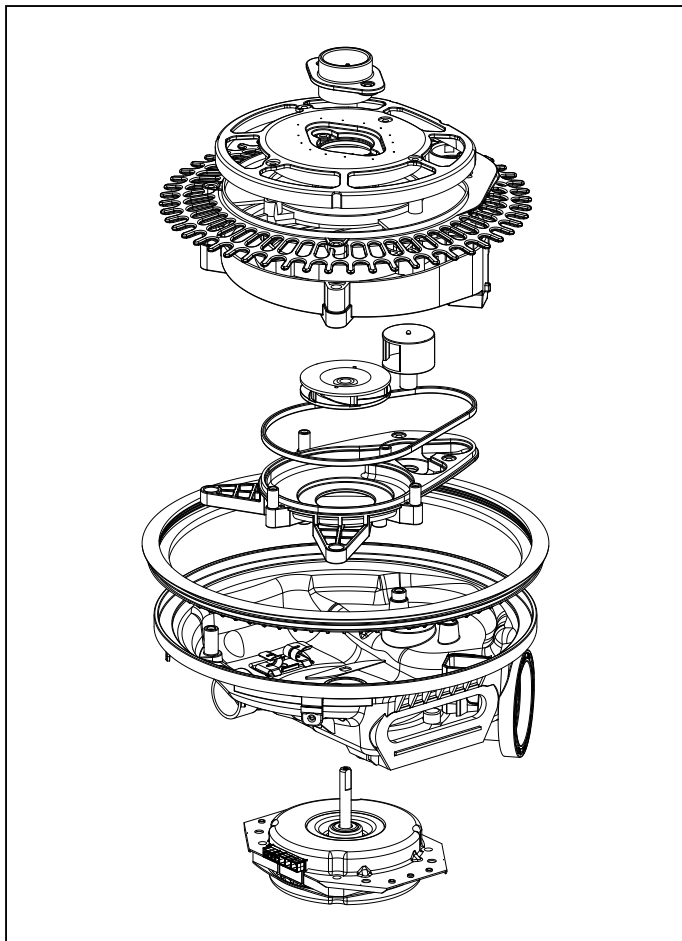
2) Vario Motor

- ① Remove 2 screws for Vario Motor.
- ② Pull the Vario Motor and Micro S/W.



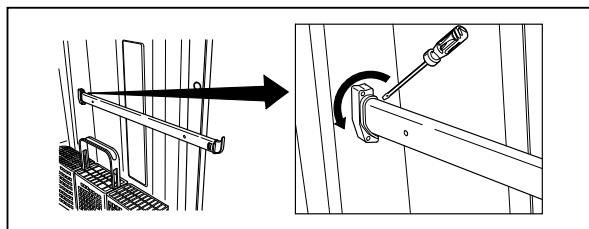
3) Soil Sensor

- ① Pull the Soil Sensor.



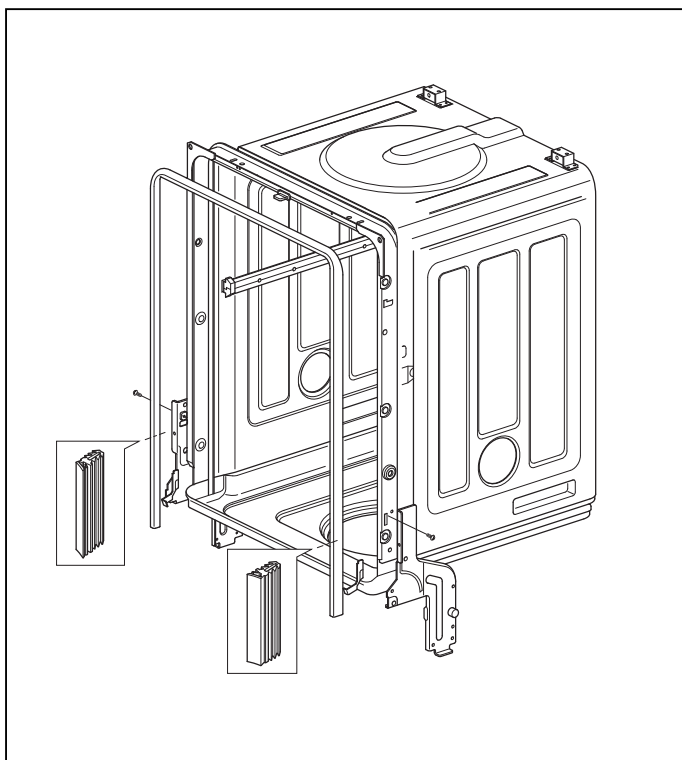
When you reassemble the Sump Assembly, be careful not to kink, tear and take off the seals.

17. Holder Supporter, Tub Packing and Hinge Supporter Assembly.






Rotate the screwdriver, after slide it into the gap between Stopper Roller and Rail Roller.


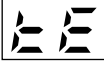

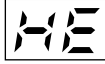
You must take off Stopper Roller(F117) by – screwdriver to change the Rail Assembly. (Stopper Roller could be broken while you are taking off. So you should be careful not to be hurt and have extra stopper rollers ready at servicing at all times)



8.TROUBLE SHOOTING METHODS

A. TROUBLE SHOOTING ACCORDING TO DISPLAYED ERROR MESSAGE

ERROR MESSAGE	POSSIBLE CAUSE FOR ERROR OCCURRENCE	REMEDY
<p>INLET ERROR</p>  <p>displayed</p> <p>Condition Not reached to the normal water level in spite of 10 min. water supply</p>	<ul style="list-style-type: none"> • The Water Supply Tap is closed. • The Water Supply is shut off. • The Inlet Hose is kinked. • The Water Pressure is very low. (below 10 psi) • Inlet Valve is OK? • The filter of Inlet Valve is clogged by impure water. • The Hall sensor is OK? • The Impeller of Air Guide is bound. 	<ul style="list-style-type: none"> • Take action on Water Supply device. • Measure the electric resistance of Inlet Valve. (950-1300 Ω) • Clean the filter of Inlet Valve. • Check the frequency of Inlet Water by the Test Mode. • Replace the Air Braker.
<p>DRAIN ERROR</p>  <p>displayed</p> <p>Condition Not fully drained out in spite of 5 min. drain operation</p>	<ul style="list-style-type: none"> • The Drain Hose kinked or blocked. • Wiring connection is OK? • The drain outlet of sump is blocked. • The Drain Pump/Motor or circuit is troubled. 	<ul style="list-style-type: none"> • Remove the cause of kink or block. • Check the wiring connection. • Measure the electric resistance of Drain Motor. (20-40 Ω) • Replace the Drain Motor or repair the Circuit.
<p>LEAKAGE ERROR</p>  <p>displayed</p> <p>Condition The excessive RPM of Washing Motor happened during Wash cycle due to water leakage.</p>	<ul style="list-style-type: none"> • Water leakage in Hose connections. • Water is leaked by damages. • The Motor Water Seal leakage of Sump assembly. • The height of Drain Hose connection (sink-Drain Hose) is not over 20". • Impeller of the Washing Pump is worn away. 	<ul style="list-style-type: none"> • Replace the connections of Hose. • Check the point of damages and repair or replace the related parts. • Read the Installation Instructions (page 9) and fix it to the recommended Height. • Replace the Impeller of the Washing Pump.

ERROR MESSAGE	POSSIBLE CAUSE FOR ERROR OCCURRENCE	REMEDY
<p>EXCESS ERROR</p>  <p>displayed</p> <p>Condition Excessive water is supplied than normal water level.(Automatically drain Pump operated.)</p>	<ul style="list-style-type: none"> • The Inlet Valve is troubled. • The Controller is troubled. 	<ul style="list-style-type: none"> • Replace the Inlet Valve. • Repair or replace the Controller.
<p>THERMAL ERROR</p>  <p>displayed</p> <p>Condition The resistance of thermistor not normally out put.</p>	<ul style="list-style-type: none"> • The Inlet Water Temperature is very high. (over 194°F) • Wiring connection is OK? • The Thermistor is OK? 	<p>Check the temperature. (Test Mode)</p> <ol style="list-style-type: none"> 1) If the temperature is displayed, <ul style="list-style-type: none"> ① adjust the Inlet Water Temperature to 120°F. 2) If the temperature is not displayed, <ul style="list-style-type: none"> ① check the wiring connection. ② check the electric resistance of Thermistor. (11~14k Ω at 77°F) ③ Replace the PCB.
<p>MOTOR ERROR</p>  <p>displayed</p> <p>Condition The Motor is working abnormally.</p>	<ul style="list-style-type: none"> • Wiring connection is OK? • The Impeller of Washing Pump is locked. • The rotor of Washing Motor is locked. • The Blade is locked. 	<ul style="list-style-type: none"> • Check the wiring connection. • Replace the cause of restriction. • Replace the Washing Motor. • Replace the PCB.
<p>HEATER ERROR</p>  <p>displayed</p> <p>Condition The water is not heated or the temperature in the Tub is overheated to over 194°F</p>	<ul style="list-style-type: none"> • The Circuit of Heater is troubled. • The Thermistor is troubled. • The Heater is shorted. • The Relay Circuit is troubled. 	<ul style="list-style-type: none"> • Repair the Circuit of Heater. • Replace the Thermistor. • Replace the Heater. • Repair the Relay Circuit..

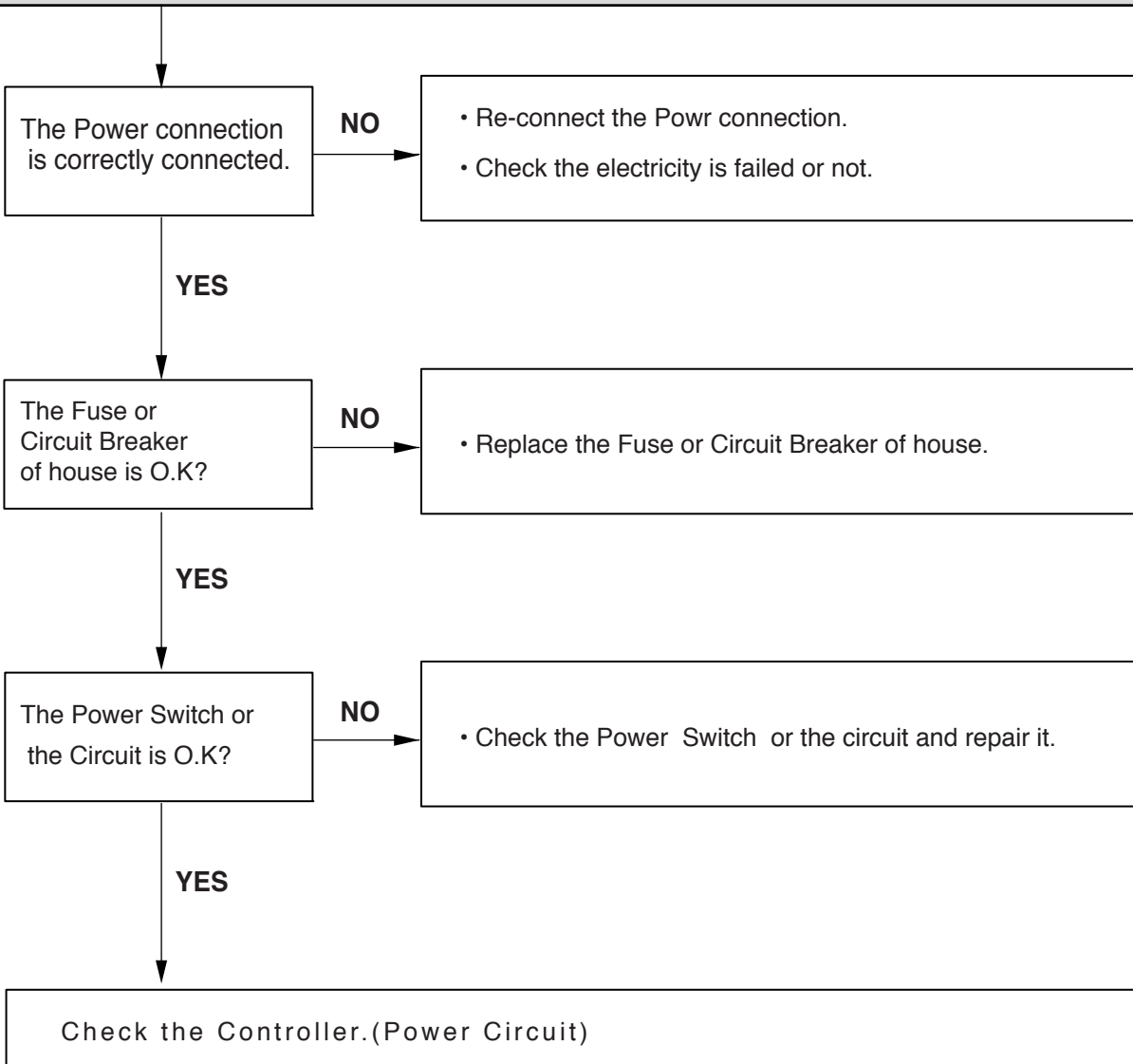
B. STEAM GENERATOR ERROR MESSAGE

- Steam Generator Error mode is not displayed in normal condition and it can be confirmed by following additional operation.
- To confirm steam generator error, press the **DELAY START** and **RINSE ONLY** buttons simultaneously.
- When Steam Generator is out of order, dishwasher operates the selected cycle without steam.

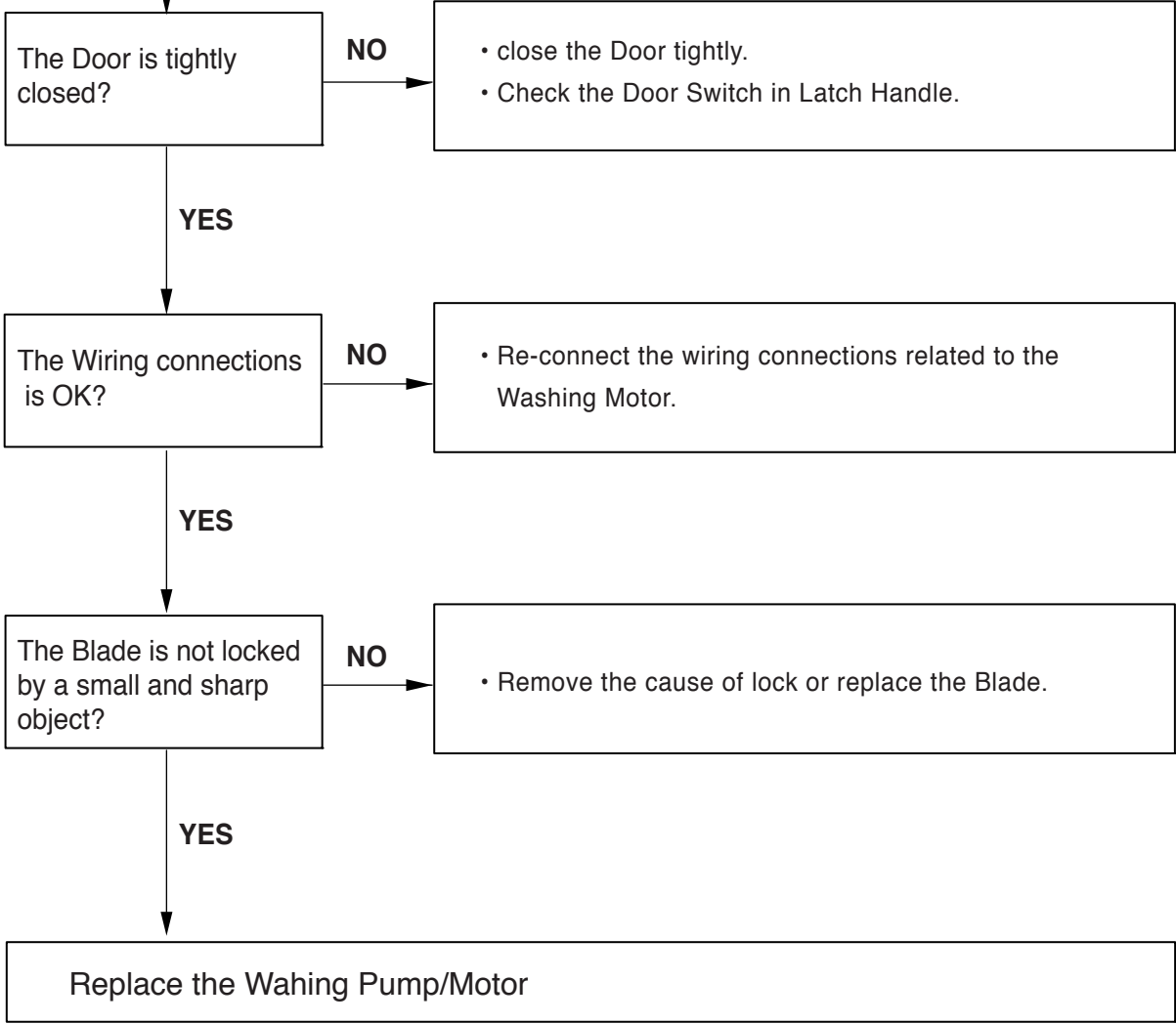
ERROR MESSAGE	CONDITION	REMEDY
00 : E0	<ul style="list-style-type: none">• The normal condition	
00 : E1	<ul style="list-style-type: none">• The generator heater temperature is high. (over 239°F)	<ul style="list-style-type: none">• Check the water level sensor and thermistor check.
00 : E2	<ul style="list-style-type: none">• The water leveling sensor is working abnormally.	<ul style="list-style-type: none">• Check the wiring connection and water level sensor.
00 : E3	<ul style="list-style-type: none">• Not reached to the normal water level.	<ul style="list-style-type: none">• Check the inlet valve and sensor connection.
00 : E4	<ul style="list-style-type: none">• The generator heater temperature is low. (lower than 158°F)	<ul style="list-style-type: none">• Check the heater and thermistor.
00 : E5	<ul style="list-style-type: none">• The normal condition	

C. TROUBLE DIAGNOSES AND REPAIR BY SYMPTOM

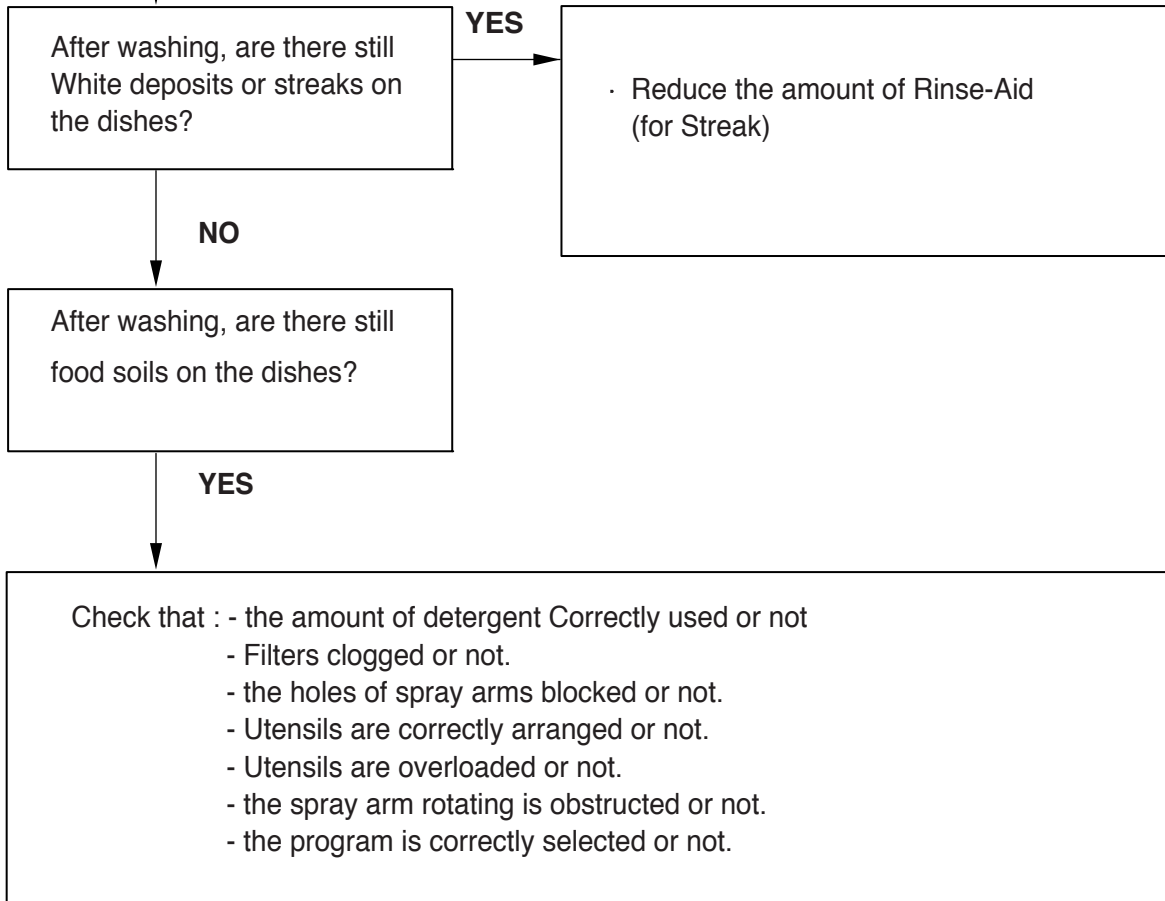
No Power on when the power button pressed.



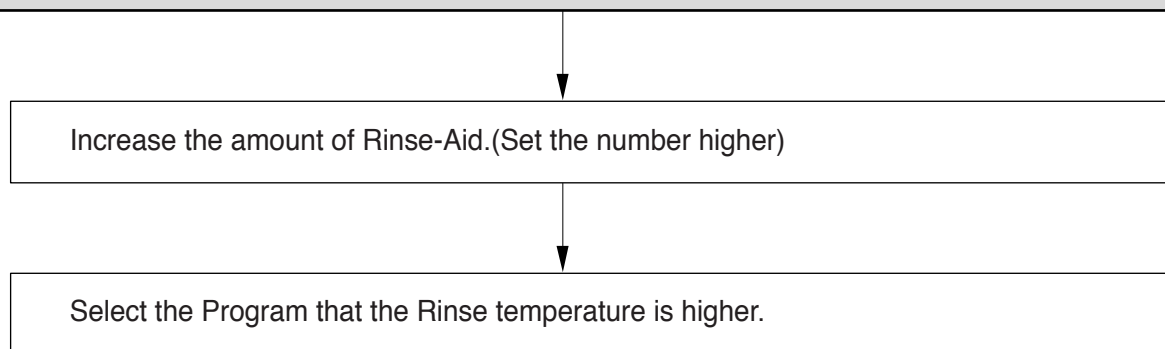
The Wash Pump/Motor does not run.



Washing Results are not Satisfactory



Dry Results are not satisfactory



Power Button not automatically off after operation.

Check the button is blocked by foreign materials.

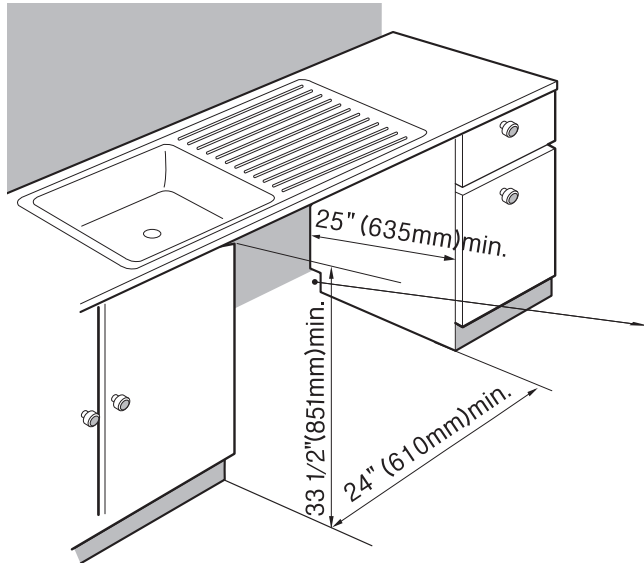
Check the Power Switch.(Replace it, if necessary.)

Check the Controller.(Replace it, if necessary.)

9. INSTALLATION INSTRUCTION

Step 1: PREPARE CUPBOARD OPENING

1. This dishwasher is designed to fit a standard dishwasher opening as shown below.
2. Select a location as close to sink as possible for easy connections to water and drain lines.
3. The dishwasher should not be installed more than 10 ft. (3m) from the sink for proper drainage.
4. If dishwasher is to be installed in a corner, a minimum of 2 in. (50mm) is required between the dishwasher and an adjacent wall.



If dishwasher will sit directly on subflooring, subfloor should be sealed with a waterproof paint or sealer to prevent damage from steam.

Drill a 1-1/2" (38mm) dia hole or cut out for drain hose, inlet hose and electrical cables on either side.

approx. 4" (100mm, W) X 4" (100mm, H)
These openings must be within 4" (100mm) from the floor and 1-5/8" (40mm) from the back wall. If there is a floor in the cabinet under the sink, it will also be necessary to drill or cut through the floor to connect the water and drain under the sink.

- Ensure the floor under the dishwasher is at the same level as the rest of the room to allow for any service requirements.

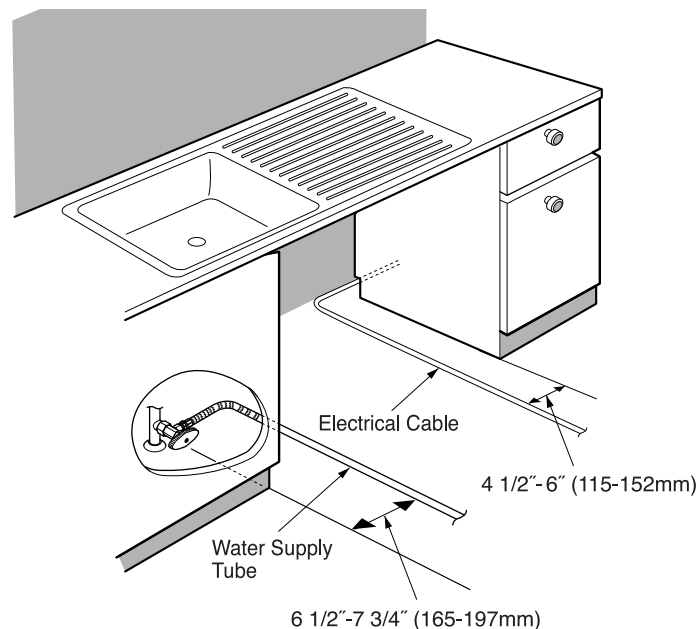
Step 2: PREPARE THE ELECTRICAL WIRING

⚠ WARNING

For personal safety, remove house fuse or open circuit breaker before installation. Do not use an extension cord or adapter plug with this dishwasher. Electrical and grounding connections must comply with the national electrical code/provincial and municipal code and/or other local codes.

1. This appliance must be operated with correct voltage as shown in this manual and on the rating plate, and connected to an individual, properly grounded branch circuit, protected by time delay fuse. Wiring must be 3 wires including ground.
2. The wiring or cord should be in an accessible location adjacent to, and not behind the dishwasher and within 4 ft. (1.2m) of the dishwasher side.
3. The wiring or cord must be grounded properly, if in doubt, have it checked by a qualified electrician. No other appliance shall be connected to the same outlet by a double adapter or similar plug.
4. The wiring or cord must be oriented as shown in Figure A below.
5. Check the dishwasher for any damage before trying to install it.
6. Make sure water line and Electrical line are oriented in the bottom channels as shown in the figure below.
If you find any damage to the dishwasher, Please contact your dealer or builder immediately.

Figure A

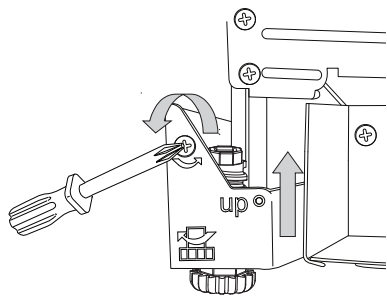


Step 3: PREPARE THE WATER SUPPLY CONNECTION

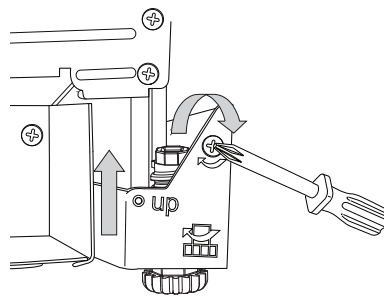
1. This dishwasher may be connected to either hot or cold water. If the water can not be maintained below 149 °F (65 °C), the dishwasher must be connected to cold water.
2. When connecting the dishwasher water line, sealing tape or compound should be used to avoid leaks.
3. When connecting the dishwasher water line, the house supply should be shut off.
4. The Water Supply Tube must be oriented as shown in Figure A on page 6.

Step 4: PREPARE DISHWASHER FOR INSTALLATION

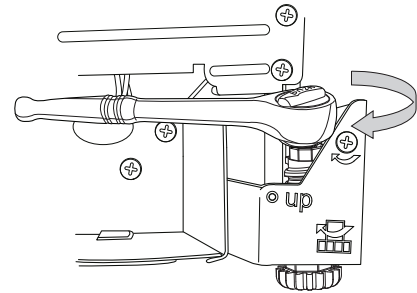
1. Adjust the legs to the required height to fit properly under the countertop as shown below.
2. Check the level of dishwasher by using level.



- Left side – turn the adjusting screw counterclockwise to lower the leg and raise the rear of the dishwasher.



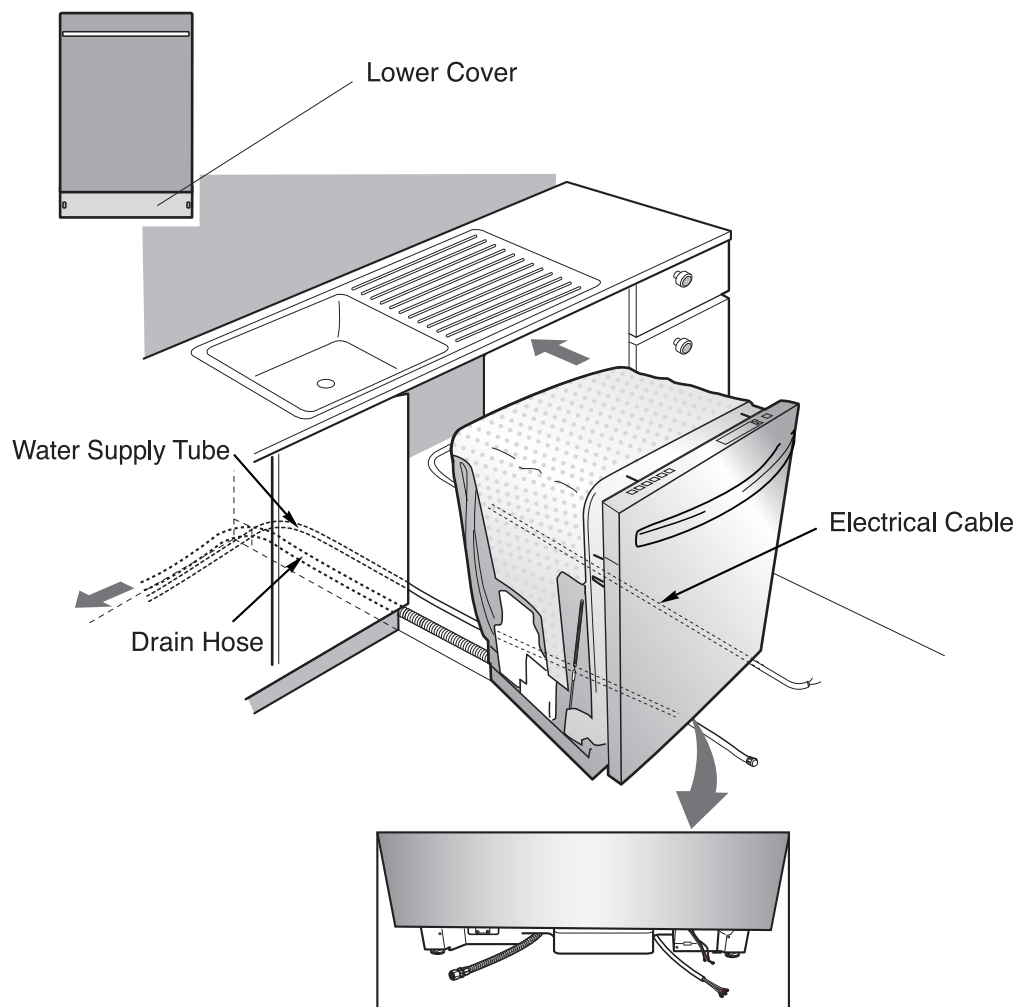
- Right side – turn the adjusting screw clockwise to lower the leg and raise the rear of the dishwasher.



- Front feet can be adjusted from the top using a 1/4" square drive wrench.

Step 5: INSTALL THE DISHWASHER IN CUPBOARD

1. Remove the Lower Cover and orient dishwasher as shown below.
2. Before sliding the dishwasher into the cupboard opening, make all necessary height adjustments using the legs.
3. Slide the dishwasher into the cabinet opening carefully. Make sure that the drain hose inside the cabinet is not kinked.
4. Follow the instruction as in Figure B.



Step 6: DRAIN LINE CONNECTION

1. If the end of the drain hose does not fit the drain line, use an adapter (not supplied) that must be resistant to heat and detergent and may be obtained from a plumbing shop.
2. There are 2 typical connections as shown in Figures C & D.
 - ① There may be other options than shown here for connection the drain hose. The drain connection must meet local plumbing regulations.
 - ② The S trap spigot must be drilled out cleanly and free of obstruction to its maximum internal diameter, if used for drainage.
 - ③ To prevent syphoning, one of the following instruction methods must be followed:

Figure C: Connection to Disposer or waste Tee.

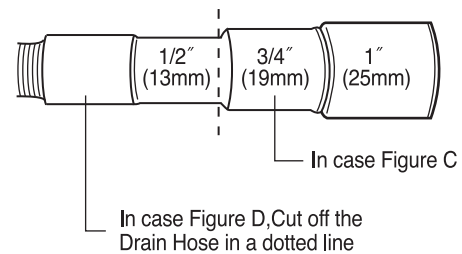
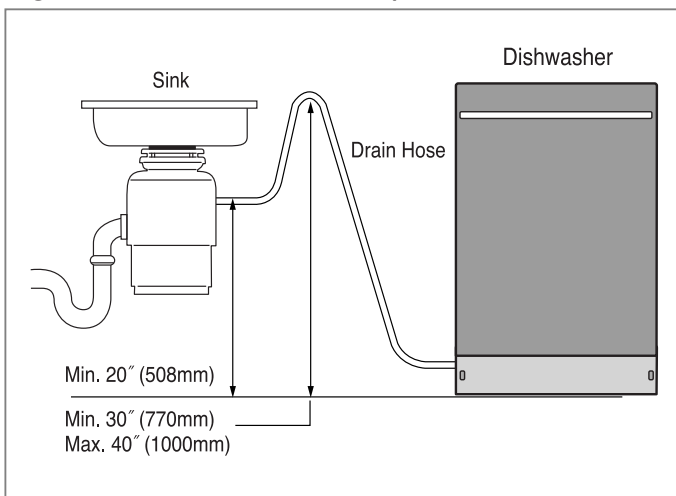
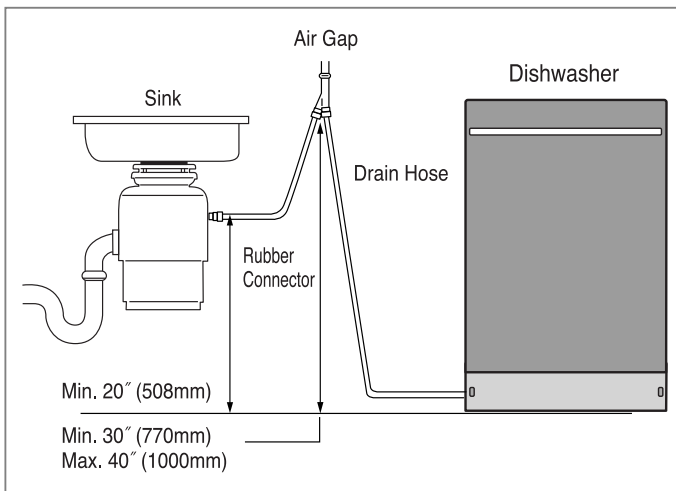


Figure D: Connection to Air Gap.

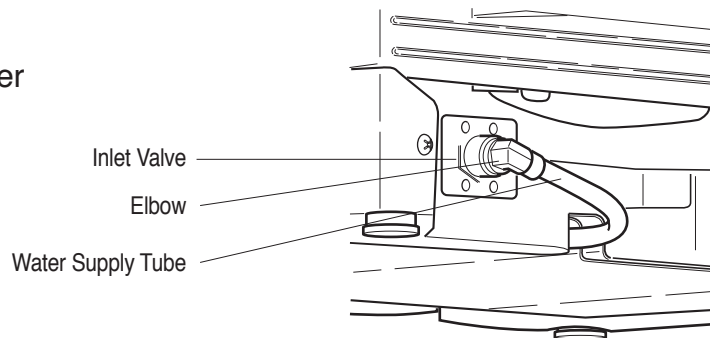


Drain Requirements

- Follow local codes and ordinances.
- Do not exceed 10 ft. (3m) distance to drain.
- Do not connect drain lines from other devices to the dishwasher drain hose.

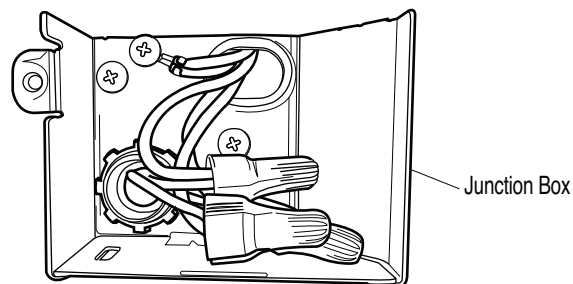
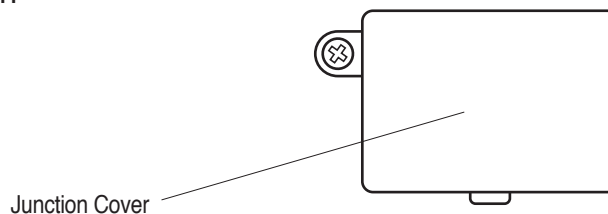
Step 7: WATER SUPPLY CONNECTION

1. When connecting, sealing tape or sealing compound should be used to avoid water leaks.
2. Before connecting, turn off the water supply.
3. After fitting the Elbow into the Inlet Valve, slide the Flexible Stainless Tube or Copper Tube into the Elbow.
4. Tighten the nut and make sure that the line is not kinked or sharply bent.



Step 8: ELECTRICAL POWER CONNECTION

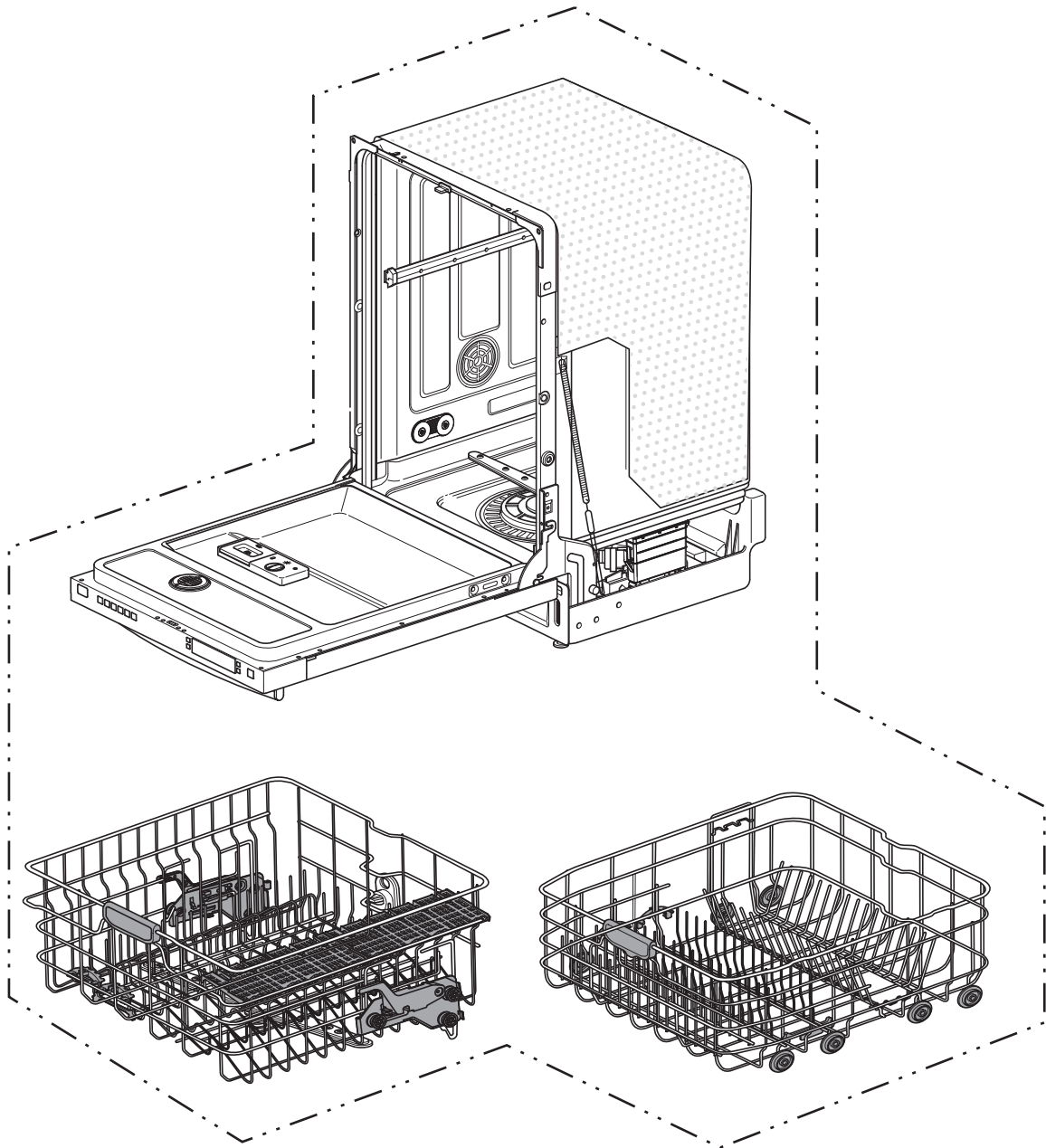
1. Before beginning, turn off electrical power to the unit at the circuit breaker.
2. Remove the Junction Cover and then Install the Strain Relief.
3. Twist Wire Connectors tightly on the wires. Wrap each connection with Electrical tape.
4. Check again and make sure that all wires are connected correctly, black to black, white to white, green to green (ground to ground).
5. Replace the Junction Cover.



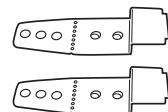
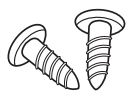
Step 9: FINAL CHECKS

1. Turn electrical power back on at the circuit breaker.
2. Turn house water supply back on.
3. Operate the dishwasher through one cycle (Quick cycle is recommended) to check for water leaks and operating conditions.
4. Replace the Lower Cover.

10. EXPLODED VIEW

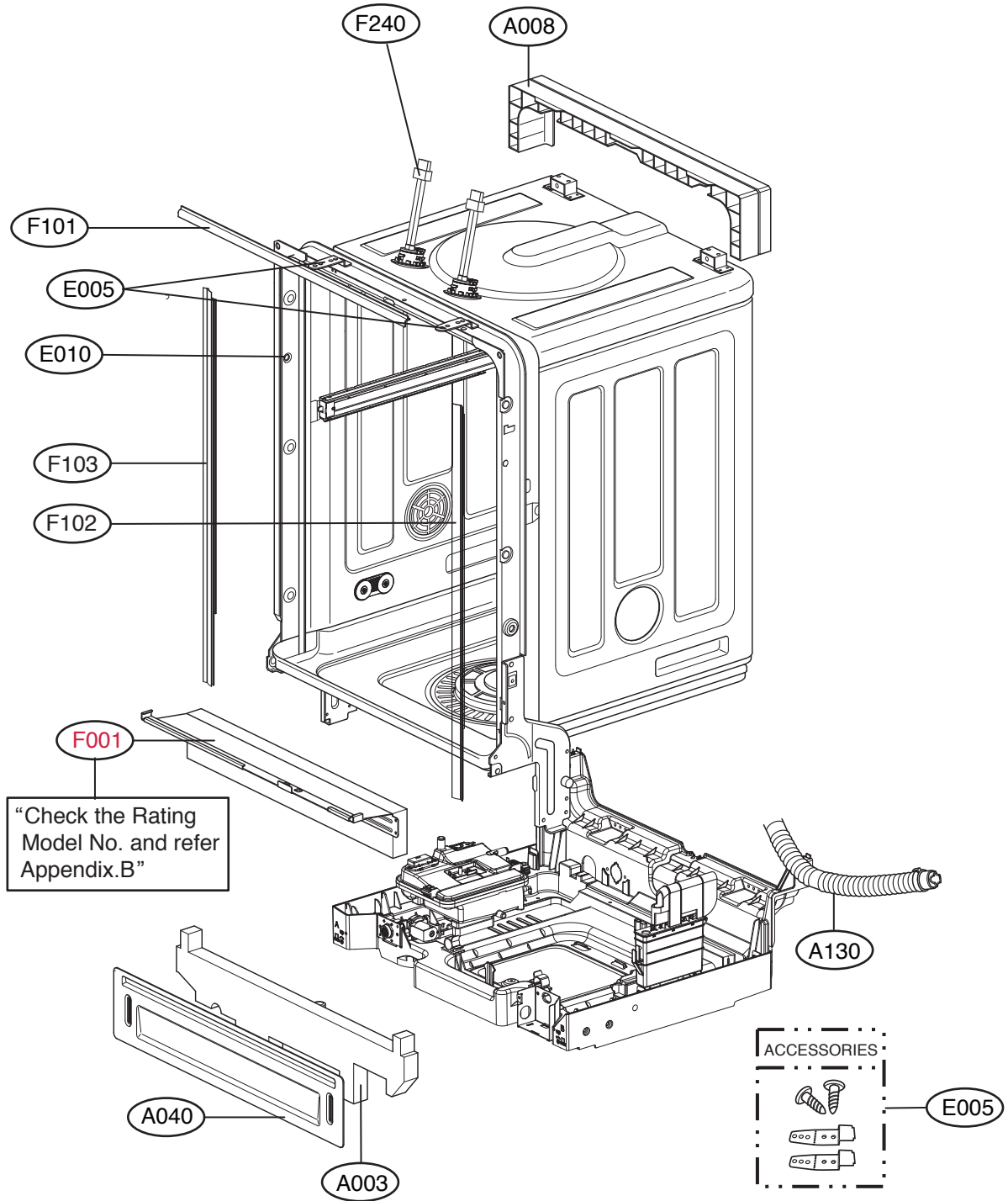


ACCESSORIES

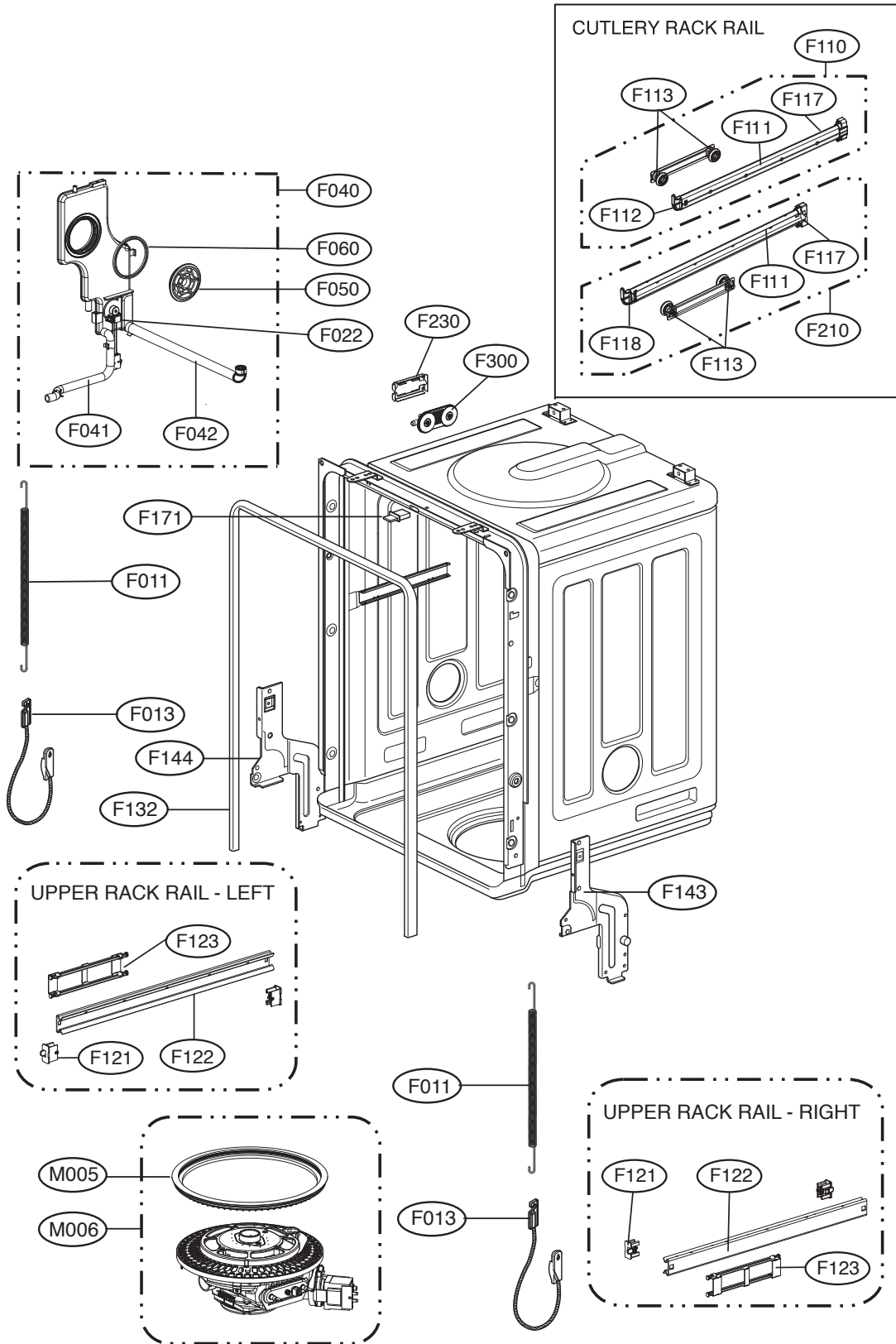


E005

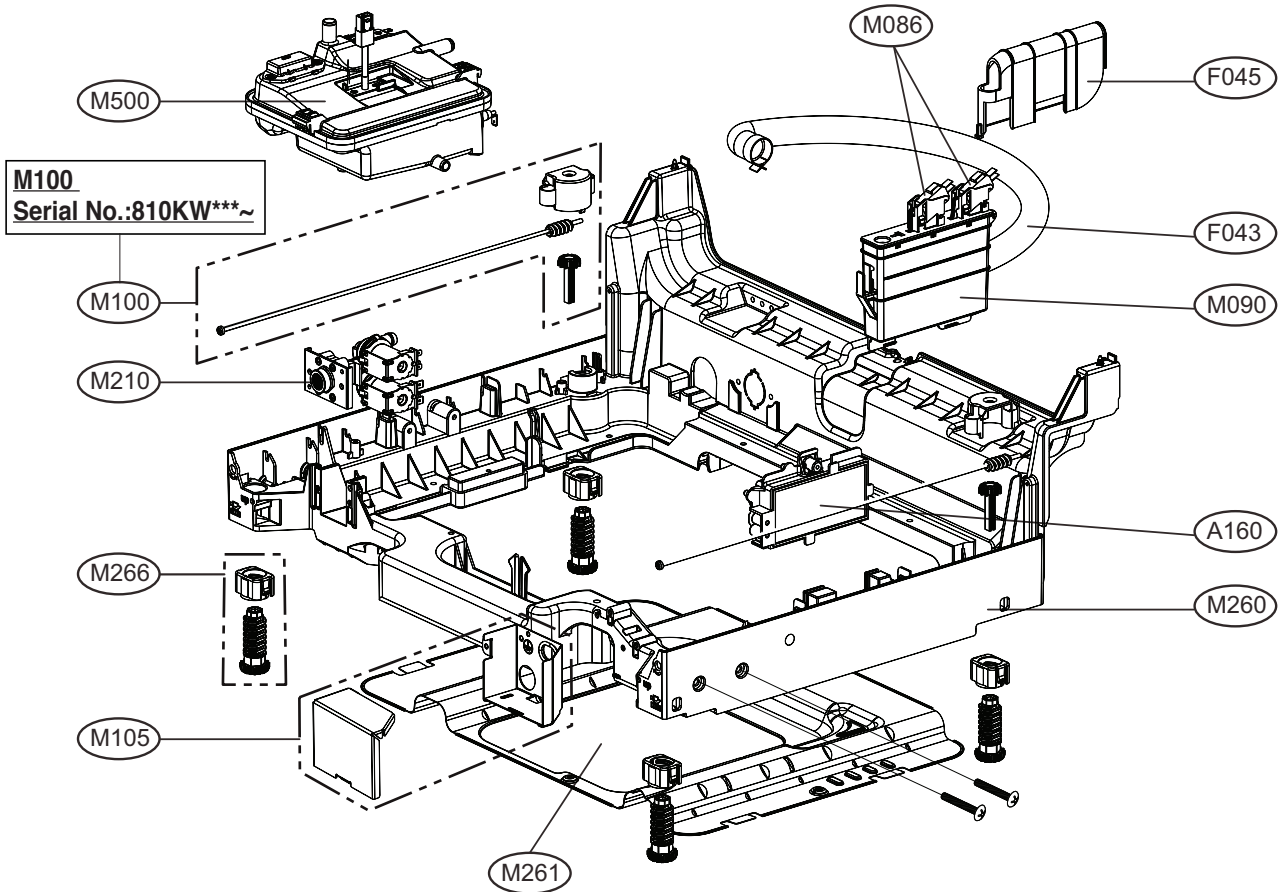
EXPLODED VIEW



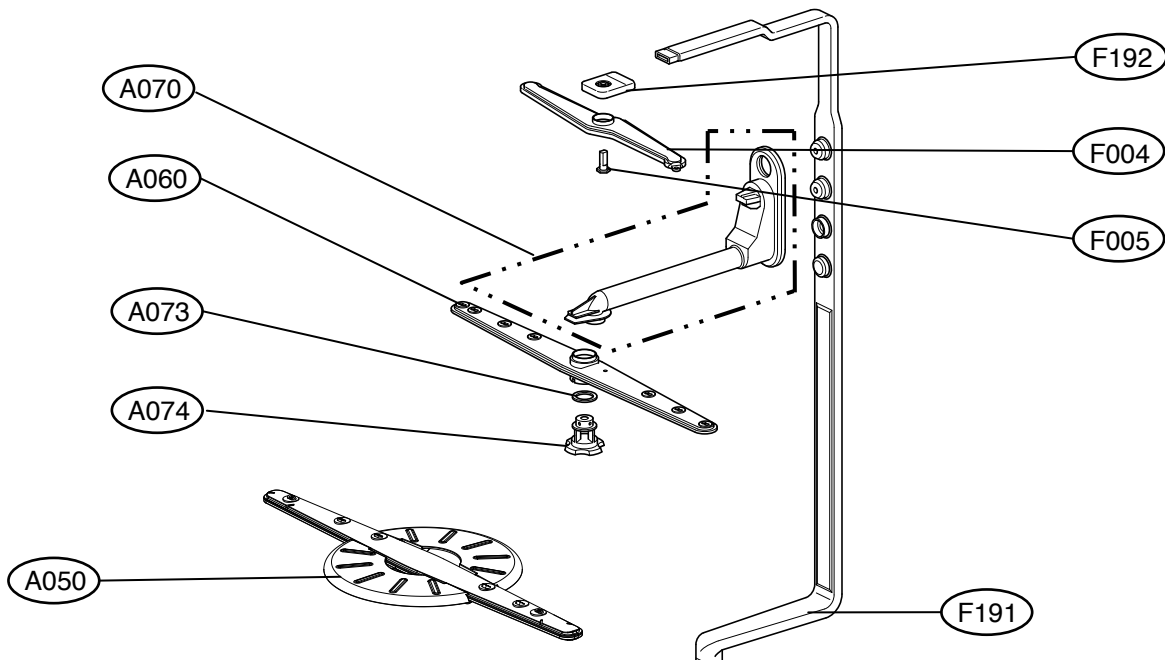
EXPLODED VIEW - TUB ASSEMBLY



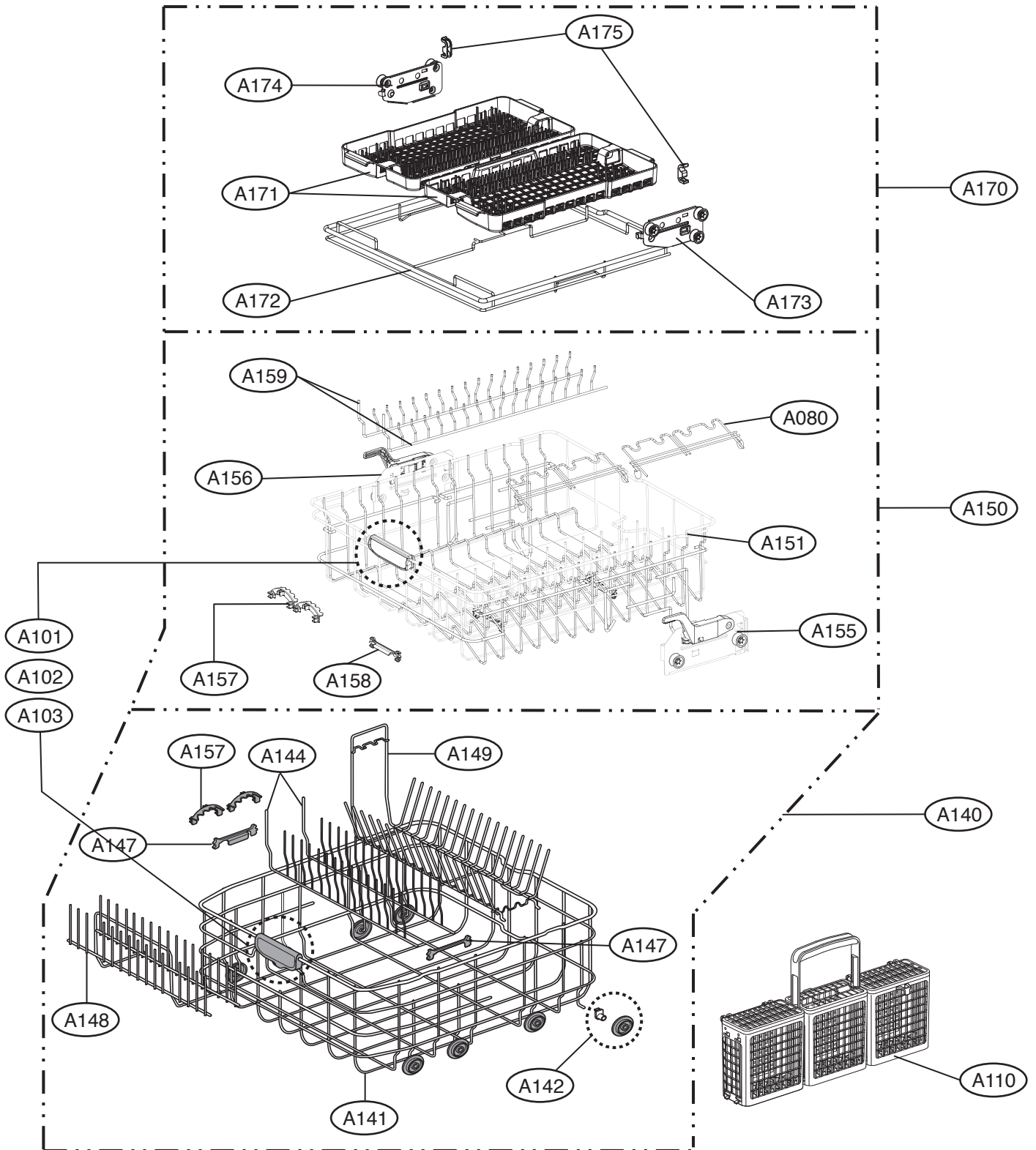
EXPLODED VIEW - BASE ASSEMBLY



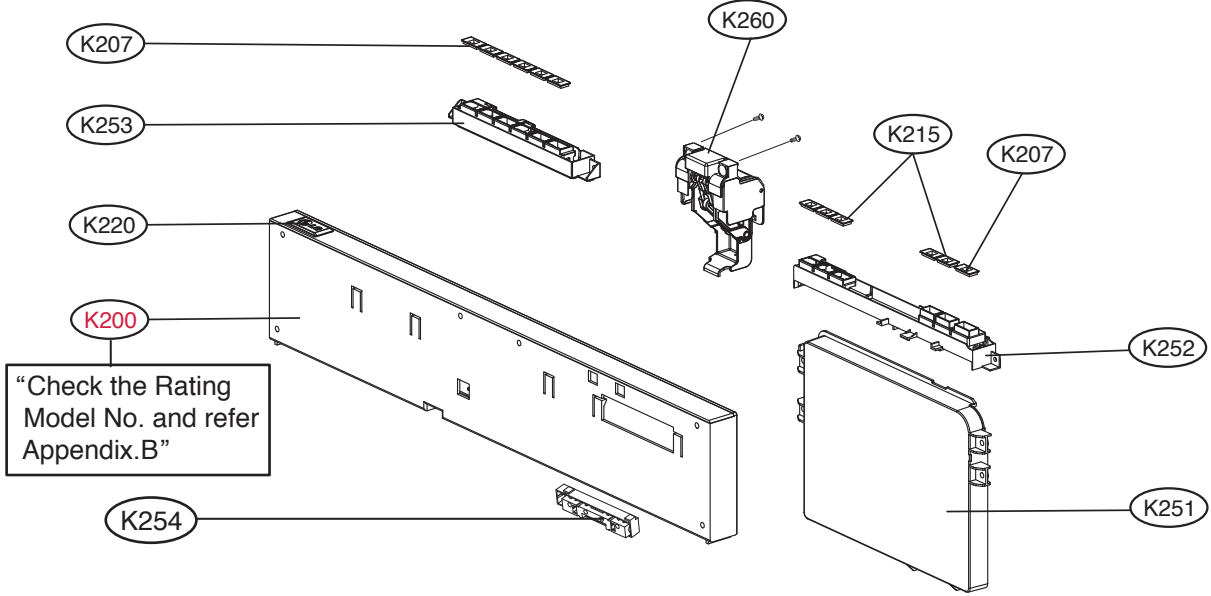
EXPLODED VIEW - NOZZLE ASSEMBLY



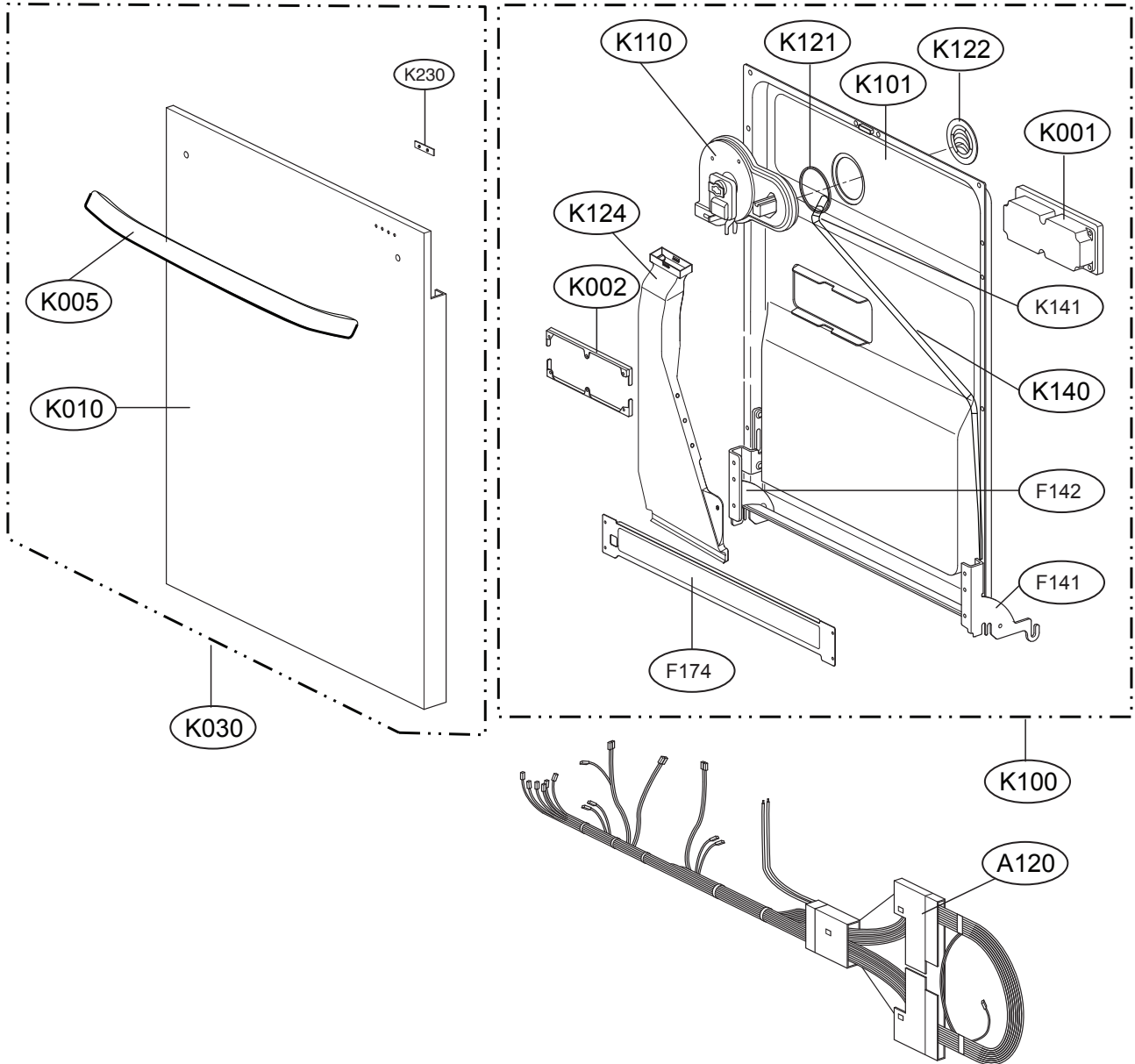
EXPLODED VIEW - RACK ASSEMBLY



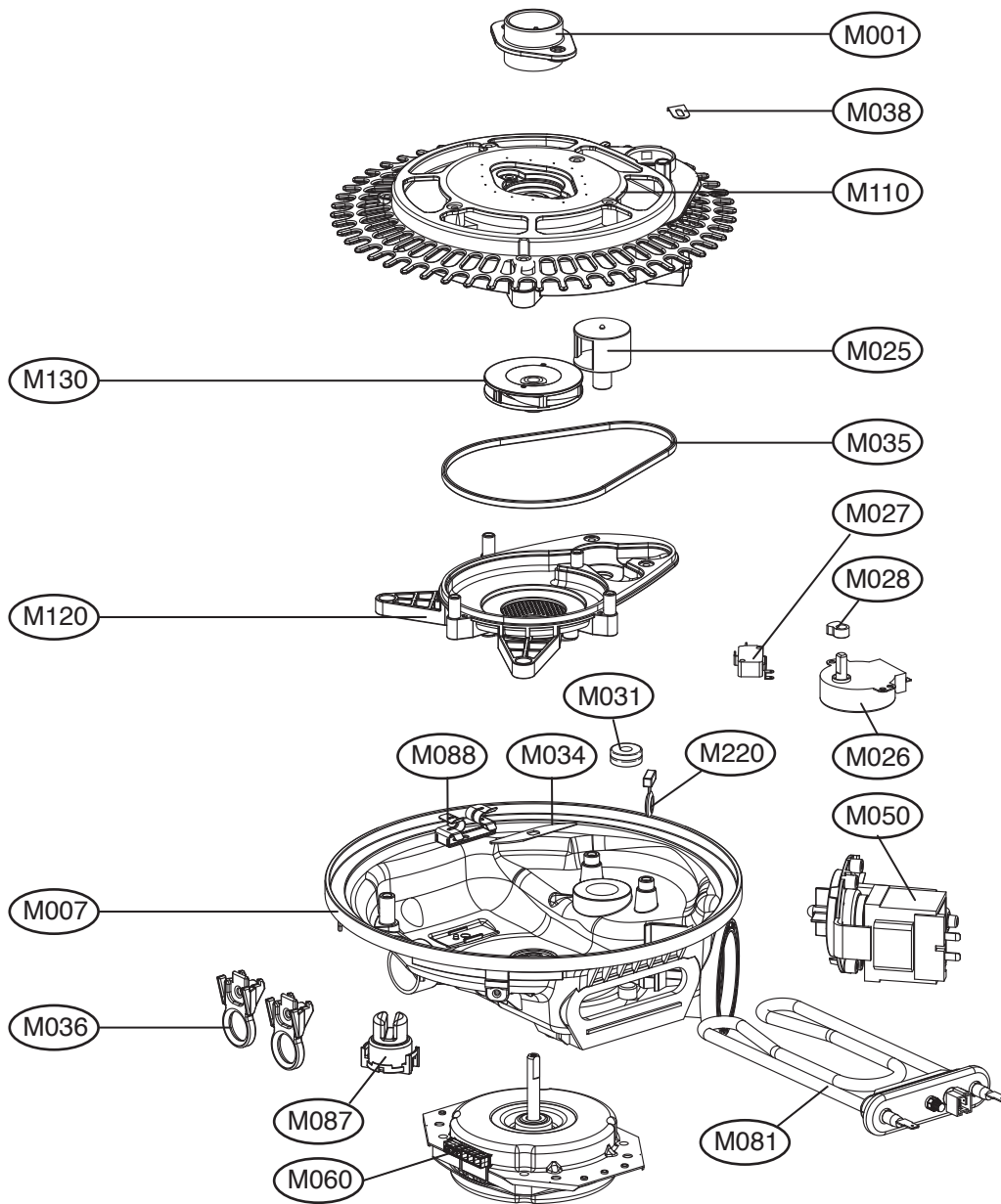
EXPLODED VIEW - PANEL ASSEMBLY



EXPLODED VIEW - DOOR ASSEMBLY



EXPLODED VIEW - SUMP ASSEMBLY





P/No. : MFL37554808