

Service Bulletin

SEPT 2010

REFRIGERATOR

REF09-10

MODELS: PSB42, PSB48

SERIAL NUMBERS: FG070000 to GR079999

FREEZER EVAPORATOR DRAIN TUBE FROZEN IN PROFILE SXS BUILT IN REFRIGERATORS (PSB42 AND PSB48) WR49X10254

1. Defrost the Freezer Evaporator Drain Tube completely.
2. Verify that the drain tube is clear by passing a ¼" water tube through the drain tube, ensuring that the tube passes through the drain tube, from the freezer to the drain pan located on the bottom of the refrigerator.

NOTE: In order for the service kit to be effective, the drain tube must be completely clear prior to the installation of the service kit. The service kit is designed to prevent the drain tube from freezing, however, the kit will not defrost an already frozen drain tube.

3. Install service kit **WR49X10254** in the freezer compartment, per the following instructions.

SVC KIT INSTRUCTIONS

NOTE: THE FREEZER DRAIN TUBE MUST BE COMPLETELY DEFROSTED PRIOR TO INSTALLING THE SERVICE KIT. DEFROST THE FREEZER EVAPORATOR DRAIN TUBE. VERIFY THAT THE DRAIN TUBE IS CLEAR BY PASSING A ¼" WATER TUBE THROUGH THE DRAIN TUBE, ENSURING THAT THE TUBE PASSES THROUGH THE TUBE, FROM THE FREEZER TO THE DRAIN PAN LOCATED ON THE BOTTOM OF THE REFRIGERATOR.

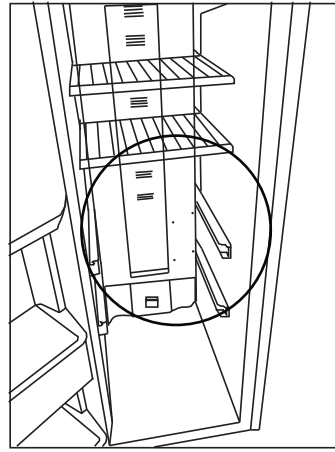


GE Appliances
General Electric Company
Louisville, Kentucky 40225

GE CONFIDENTIAL AND PROPRIETARY INFORMATION—NOT FOR PUBLIC DISCLOSURE

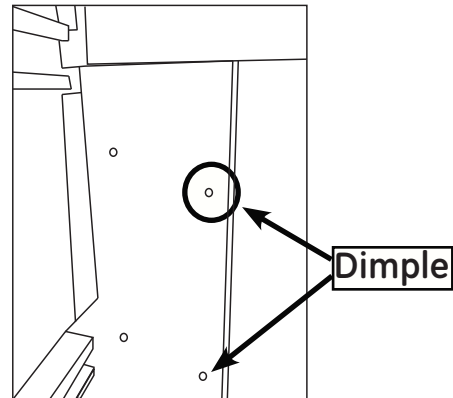
STEP 1

Clear out the unit and take out the baskets from the freezer. Locate the bottom right corner; this is where the SVC panel will be installed



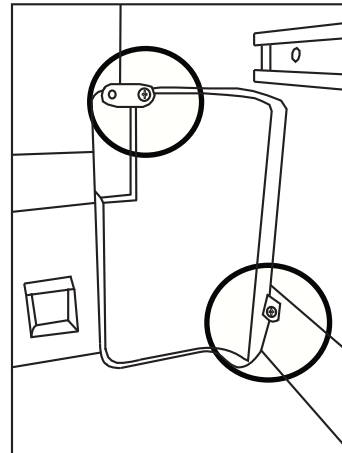
STEP 2

Locate the 2 Dimple (small hole-like dents in the liner of the unit) that align with holes in the SVC panel. If you have a **48" unit use the outermost hole** on the top of the SVC panel. If you have a **42" unit use the innermost hole** on the top of the SVC panel.



STEP 3

Place the SVC panel in the corner and use a Phillips head screwdriver to attach the SVC panel with the two screws provided. **MAKE SURE TO SCREW INTO THE DIMPLE.**



STEP 4

When the SVC panel is fastened put baskets back in unit.

