



Monogram®

GE Consumer Products
General Electric Company
Louisville, Kentucky 40225

Service Bulletin

REFRIGERATOR
MULLION CONDENSATION

REF 14-04

SEPT 2004

This Bulletin Replaces REF 08-03

WR49X10081 Installation Instructions

This thermostat is designed for use on the Monogram Side-by-side and Bottom-Freezer refrigerators to reduce mullion condensation.

***** NOT FOR "R" MODELS OR LATER *****

Models: ZIS360NM, ZISB360DM, ZISW360DM, ZISS360DMSS,
ZISS360NMSS, ZIS420NM, ZISB420DM, ZISW420DM, ZISS420DMSS,
ZISS420NMSS, ZIS480NM, ZISB480DM, ZISW480DM, ZISS480DMSS,
ZISS480NMSS, ZIC360NMRH, ZIC360NMLH, ZICS360NMRH, ZICS360NMLH

- | | |
|----------------------------------|---|
| Tools Required: | Parts Included: |
| • Wire Cutters/ Wire Crimpers | • 3 connectors (WR2X4330D) 2 required, 1 extra |
| • Measuring Tape | • Thermostat with clip (36426-00) |
| • Step Ladder | • Set of instructions • 3 wire clips (2594) |

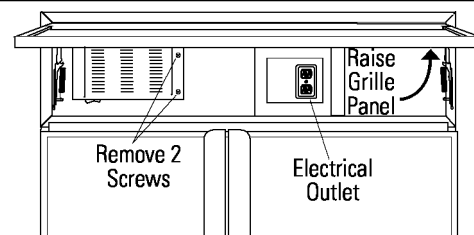
STEP 1 RAISE GRILLE PANEL, DISCONNECT POWER

- Lift-up grille panel.
- Unplug power cord from wall outlet.
- Remove electrical wiring cover.

WARNING: TO PREVENT ELECTRICAL SHOCK, DISCONNECT ELECTRICAL POWER SUPPLY TO THE REFRIGERATOR BEFORE INSTALLING THE THERMOSTAT. DO NOT OPERATE THE REFRIGERATOR UNTIL INSTALLATION IS COMPLETED.

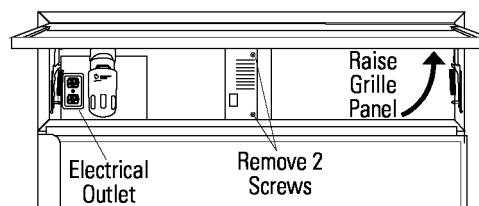
SIDE-BY-SIDE
MODELS

GO TO STEP 2



BOTTOM-FREEZER
MODELS

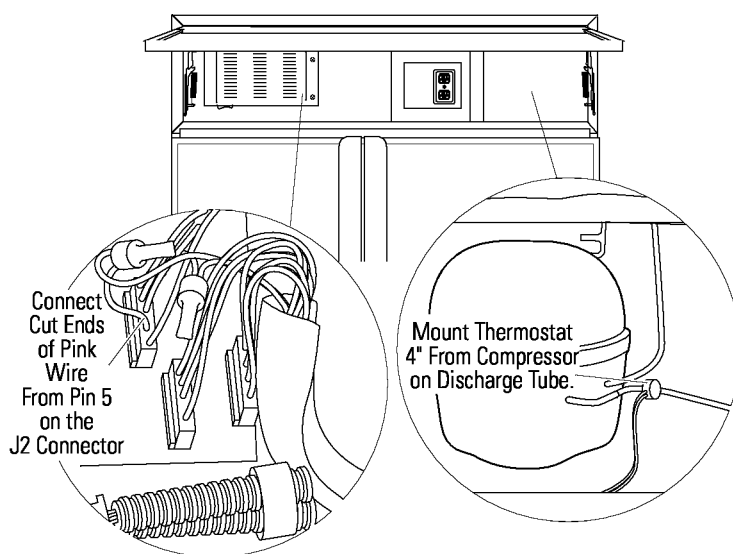
GO TO STEP 2A
ON OPPOSITE
SIDE



STEP 2 MOUNT THERMOSTAT ON SIDE-BY-SIDE MODELS

- Mount the thermostat on the compressor discharge tube, 4" from the compressor. **Note:** To ensure a successful installation, use a tape to measure the distance along the tube. See illustration.
- Cut the pink wire (from pin 5 on the J2 connector) to the condenser fan motor, approximately 3" from the J2 harness connector.
- Connect the thermostat wire ends to the cut ends of the condenser fan pink wire (from pin 5 on the J2 connector), using the supplied connectors.
- Dress the wiring to prevent interference with the condenser fan or the compressor case.
- Plug power cord into wall outlet.
- Close grille panel.

Completely WIPE DRY any condensation from the mullion and gasket.

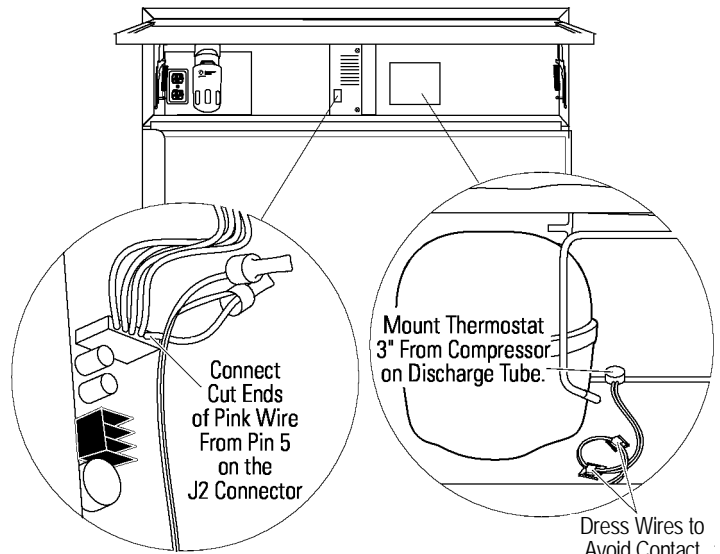


Note: Allow approximately 20 minutes for the condenser fan to turn on after the compressor starts.

STEP 2A MOUNT THERMOSTAT ON BOTTOM FREEZER MODELS

- Mount the thermostat on the compressor discharge tube, 3" from the compressor. **Note:** To insure a successful installation, use a tape to measure the distance along the tube. See illustration.
- Cut the **pink wire** (from pin 5 on the J2 connector) to the condenser fan motor, approximately 3" from the J2 harness connector.
- Connect the thermostat wire ends to the cut ends of the condenser fan **pink wire** (from pin 5 on the J2 connector), using the supplied connectors.
- Dress the wiring to prevent interference with the condenser fan, the compressor case, or door closure mechanism.
- Plug power cord into wall outlet.
- Close grille panel.

Completely WIPE DRY any condensation from the mullion and gasket.



Note: Allow approximately 20 minutes for the condenser fan to turn on after the compressor starts.