



GE Monogram

General Electric Company
Appliance Park, Louisville, KY 40225

Service Bulletin

GE MONOGRAM REFRIGERATORS REF 13-00
BOTTOM-MOUNT ZIC36 - RH & LH MODELS
PRODUCED DECEMBER 1999 TO CURRENT

JULY 2000

Auxiliary Evaporation Fan

Monogram bottom-mount refrigerators produced December 1999 to current have an auxiliary evaporation fan located behind the water valve. The purpose of this fan is to improve evaporation rate of drain water.

Note: The fan is not available as a replacement part.

A new quieter fan motor went into production July 2000.

Should the fan fail or the customer complain of excessive fan noise follow the instructions below for Heater Kit WR49X10016.

1. Disconnect leads from auxiliary evaporation fan.
2. Attach 2 jumper wires with 1/8" spade terminals to fan leads. The water valve cover may need to be removed.
3. Use adhesive clips to hold wires against bottom of unit. Make sure they do not interfere with installation or removal of drain pan.

4. Heater Installation:

- Remove drain pan - be careful not to spill water from the pan.
- Install heater assembly over auxiliary condenser (See Figure 1).
- Connect the heater leads to jumper harness lead.
- Re-install the drain pan and toekick.
- Make sure directional arrow on drain pan is pointed to rear of refrigerator.

Note: Ensure that the pan is installed so that the drain tube empties condensate water into the pan.

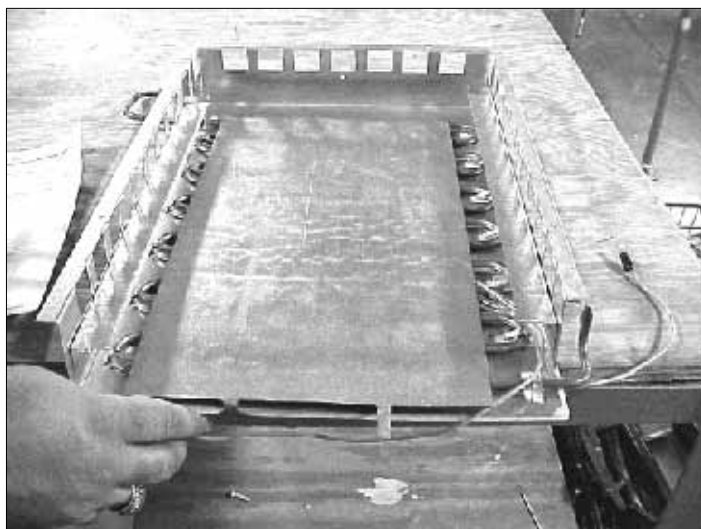
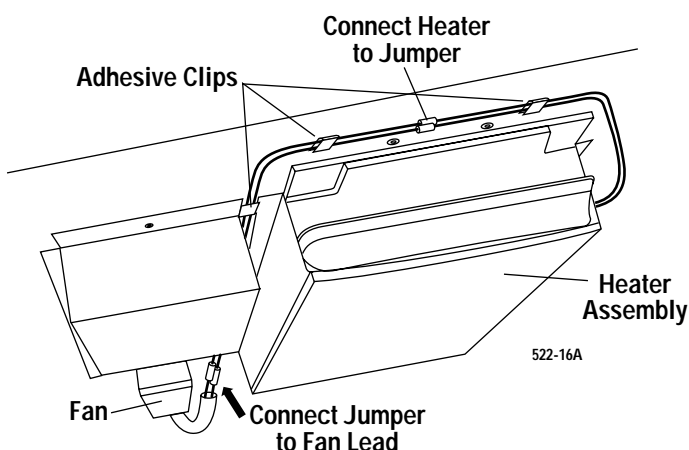


Figure 1

Heater assembly is laid into place and attached by folding the front tabs down. The **rear flange** of the heater assembly is **over** the **next-to-last** tube of the auxiliary condenser. **Note: Edge trim is used wherever a wire is laying over a sharp edge and wires must be routed so as to prevent contact with the drain pan.**