



MAY 2000

For service calls related to Fresh Food temperatures being too cold, and freezing of food on the top shelf of the Fresh Food compartment, the following actions are approved for a field fix:

1. Remove the Temperature Control/Light Shield to expose the fresh food damper control.
2. The fresh food damper control installed in the refrigerator should have the identifying drawing number **162D6620P003** (Figure 1). If the damper control is identified by any other number, remove that damper control and replace with damper control **WR9X10002**.

Note: The approved field fix will not improve performance unless the correct damper control is used.

3. Remove the Light Shield/Control Cover Air Diffuser Grill from the Control/Light Shield (Figure 2).
 4. Trim off the rounded portion of the diffuser grill (Figure 3).
 5. Rotate the diffuser grill 180° (opposite of original position) and reinstall into control/light shield. This will regulate the temperature by redirecting freezing air away from the top shelf left corner.
- Note:** In June 2000 a replacement diffuser grill **WR17X10635** will be available.

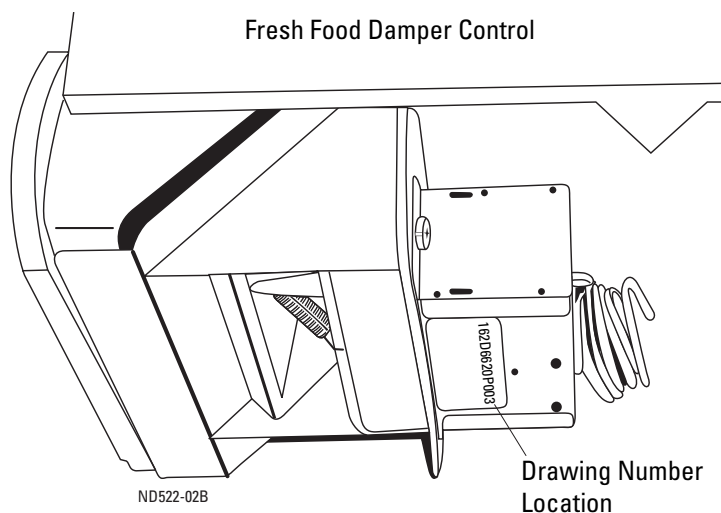


Figure 1

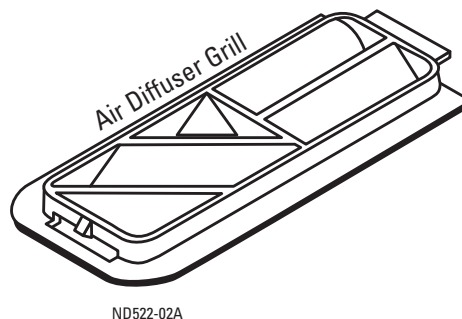


Figure 2

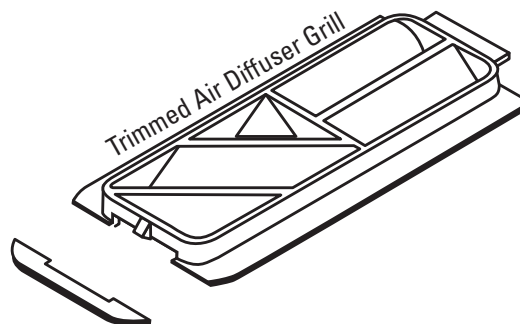


Figure 3