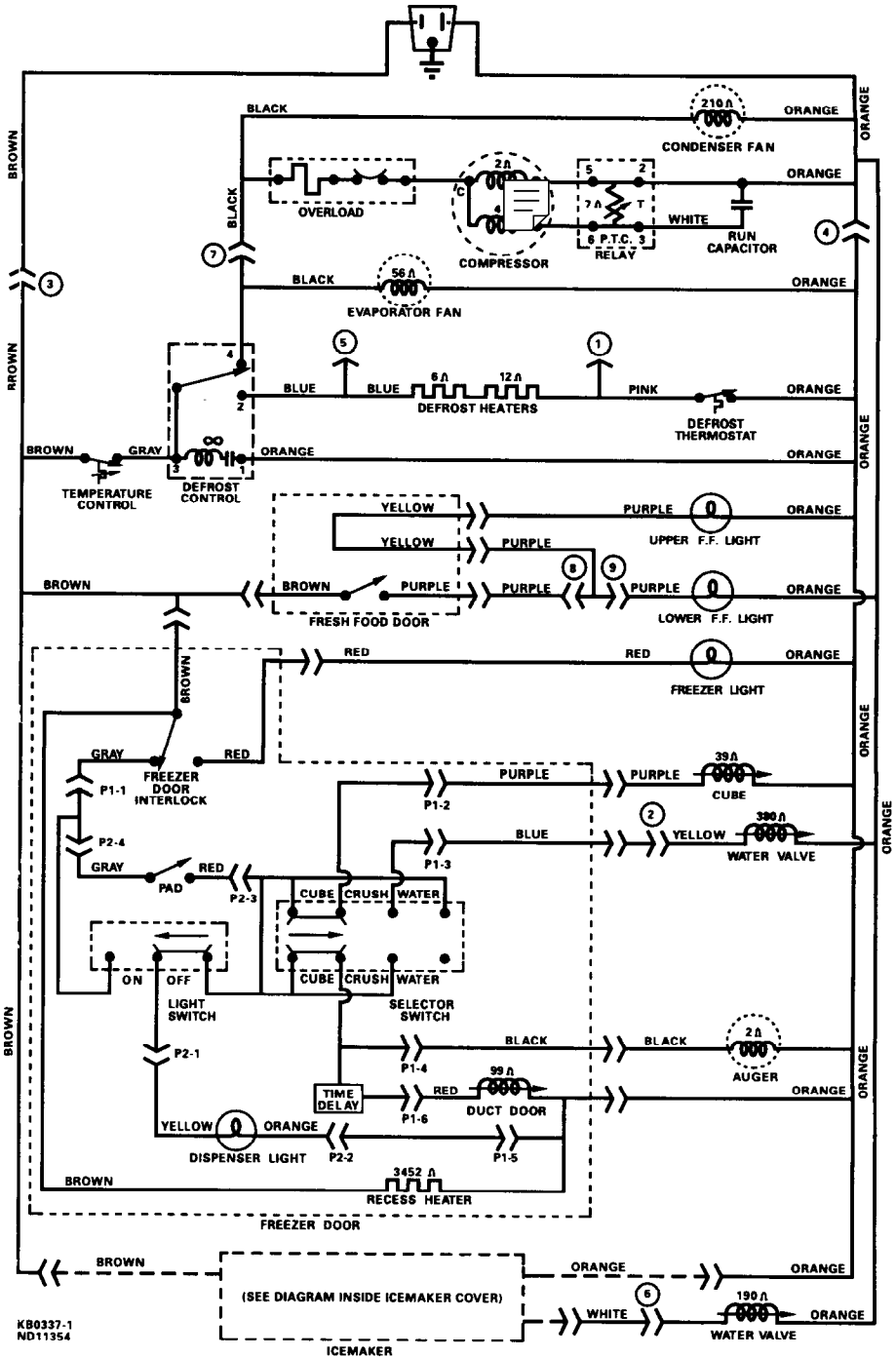
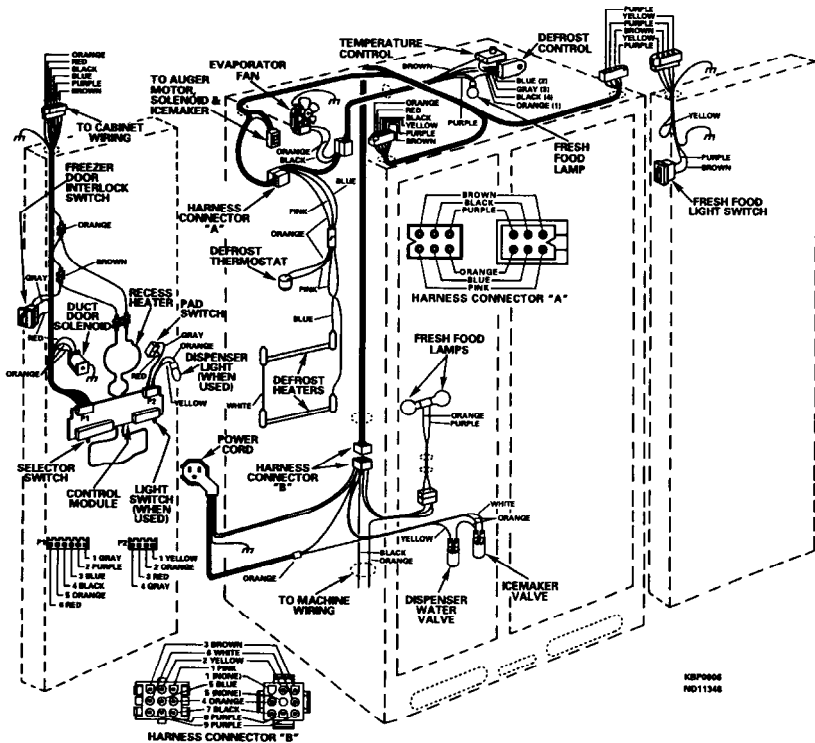


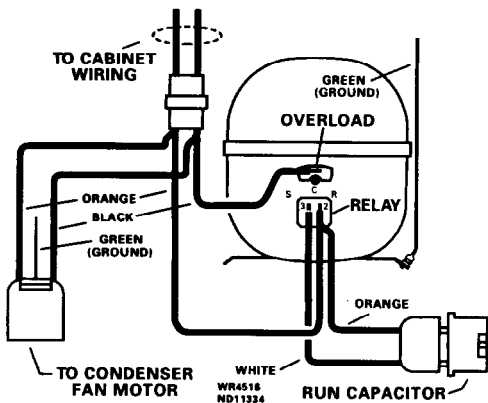
SXS - 24 DISPENSER

203C4814P006





KEP0006
ND11346



DISCONNECT POWER CORD BEFORE SERVICING
IMPORTANT - RECONNECT ALL GROUNDING DEVICES
 All parts of this appliance capable of conducting electrical current are grounded. If grounding wires, screws, straps, clips, nuts or washers used to complete a path to ground are removed for service, they must be returned to their original position and properly fastened.

IMPORTANT SAFETY NOTICE
 This information is intended for use by individuals possessing adequate backgrounds of electrical, electronic and mechanical experience. Any attempt to repair a major appliance may result in personal injury and property damage. The manufacturer or seller cannot be responsible for the interpretation of this information, nor can it assume any liability in connection with its use.

ELECTRICAL SPECIFICATIONS
 Temperature Control (Position 5) 6-(-12)°F
 Defrost Control 16 hrs @ 35 min
 Defrost Thermostat 60-28°F
 Electrical Rating: 115V. AC 60Hz. 11.6 Amp
 Maximum Current Leakage 0.50 mA.
 Maximum Ground Path Resistance 0.14 Ohms
 Energy Consumption -28 84 KWH/mo.

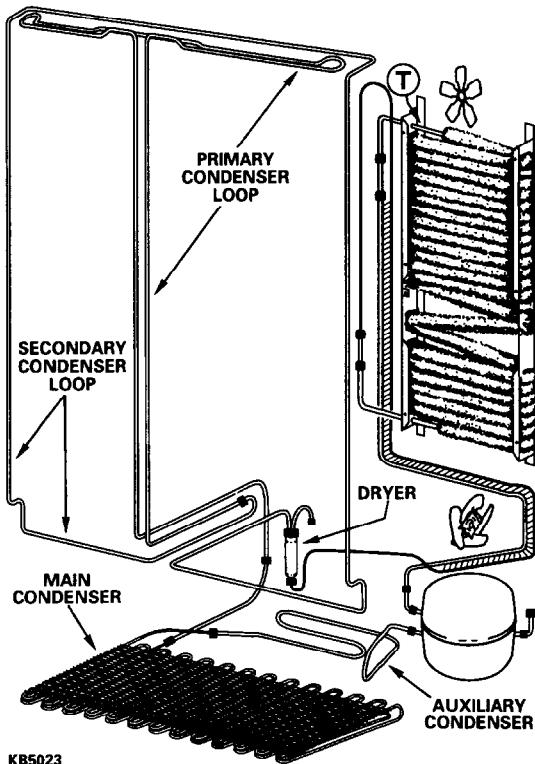
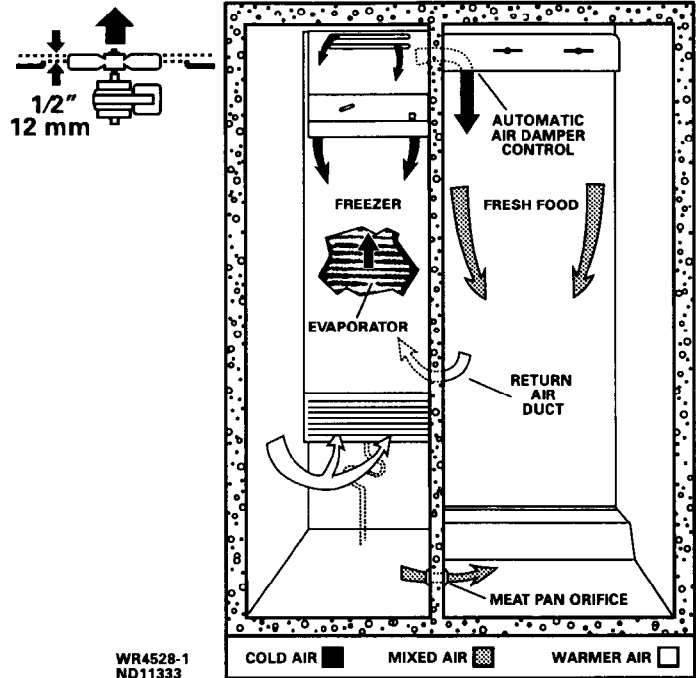
INSTALLATION
 Clearance must be provided for air circulation:
 AT TOP 1 inch
 AT SIDES 1/8-inch
 AT REAR 1/2-inch

NO LOAD PERFORMANCE
 Control Position 5/5
 and Ambient of:

	70°F	90°F
Fresh Food, °F.....	31 - 37	35 - 39
Frozen Food, °F.....	(-3) - 3	(-4) - 0
Run Time, %	36 - 46	53 - 69

REFRIGERATION SYSTEM
 Refrigerant Charge (R134a) 5 1/4 ounces
 Compressor 1159 BTU/hr
 Minimum Compressor Capacity 22 inches
 Minimum Equalized Pressure
 @ 70°F 44 PSIG
 @ 90°F 58 PSIG

AIR FLOW



REPLACEMENT PARTS

Temperature Control	WR09X0571
Relay	WR07X0253
Overload	WR08X0172
Run Capacitor	WR62X0080
Defrost Control	WR09X0489
Defrost Thermostat	WR50X0122
Defrost Heaters & Harness	WR51X0443
Condenser Fan Motor	WR60X10010
Evaporator Fan Motor	WR60X10008