

# Service Bulletin

OCTOBER 2009

REFRIGERATORS

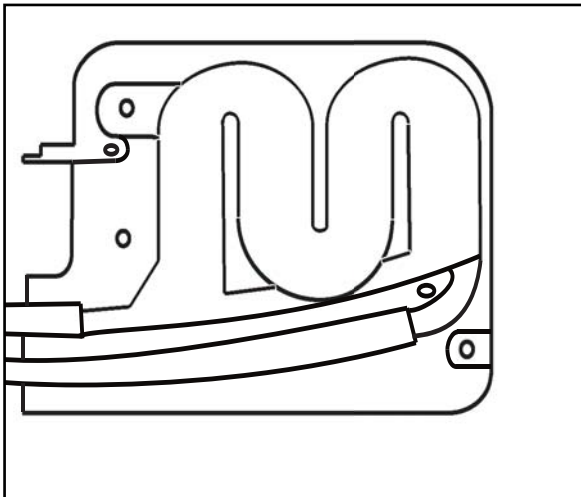
REF 15-09

MODELS PFSS6, PFSF6,GFSS6,GFSF6,GFSL6  
SERIAL NUMBERS: MM070000 to GR079999  
FR055000 to ZR069999

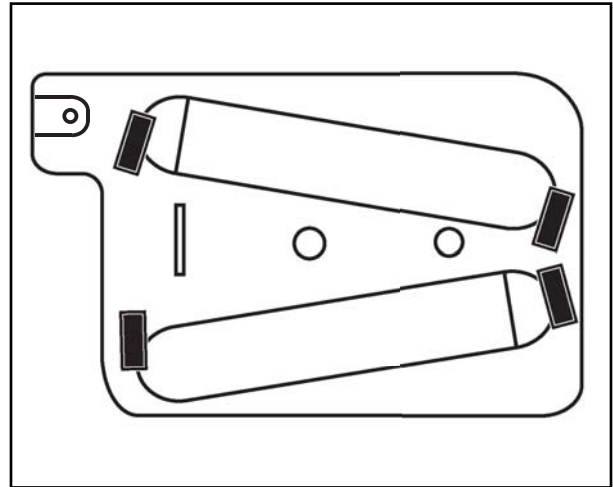
## WATER DISPENSER DRIBBLE/ WEEP IN 26' BOTTOM FREEZER REFRIGERATORS

Issues with water dispenser dribble in 26' bottom Freezer French Door Refrigerators can be resolved by the following:

**Note: This procedure only applies to units with a serpentine water tank.  
DO NOT USE THIS PROCEDURE ON UNITS WITH NEW "BOTTLE " TANK.**



Serpentine Water Tank



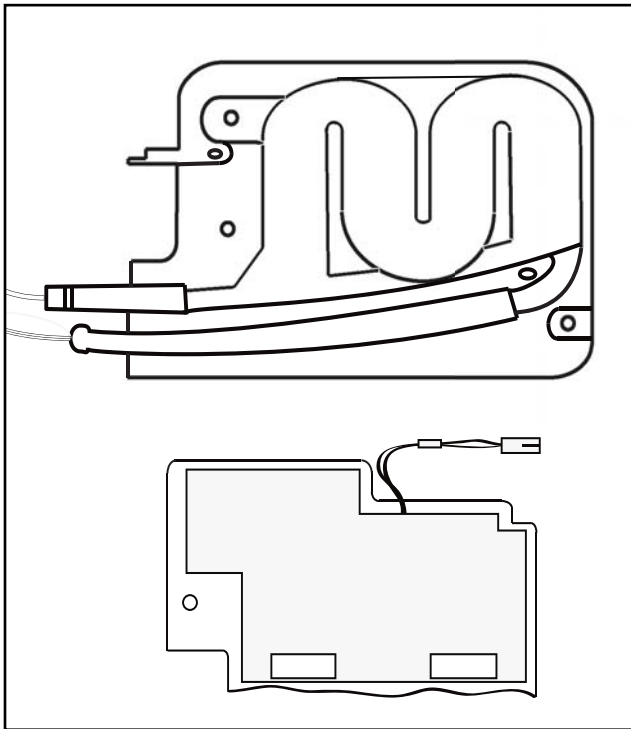
New "bottle" Tank - Do Not Use this Procedure

1. New Installations – ensure the water tank has been purged of air, by running the water dispenser for a minimum of 2 minutes.
2. Remove water tank per instruction in the service guide 31-9162 page 57.
3. Replace the water tank located in the Fresh Food compartment with coil tank, per the following instructions (Required Service Part Numbers: (1) WR17X11596, (1) WR02X12111, (1) WR02X10471 and RTV102)



GE Appliances  
General Electric Company  
Louisville, Kentucky 40225

GE CONFIDENTIAL AND PROPRIETARY INFORMATION–NOT FOR PUBLIC DISCLOSURE

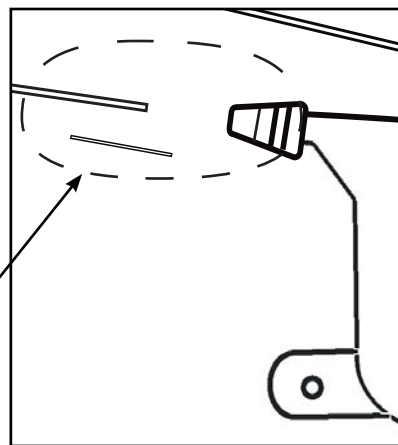
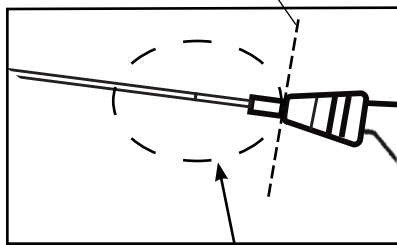


Remove the 1 screw attaching the water heater to the tank cover.

Remove the heater. The heater will be re-installed after replacing the water tank.

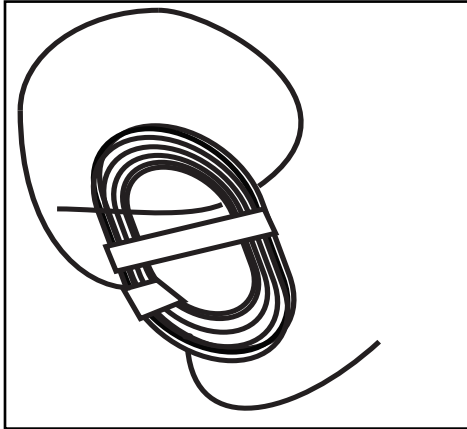
Remove two screws which attach the water tank to the tank cover.

cut along this edge

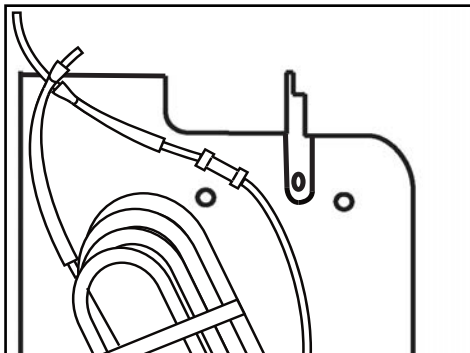


Cut this line, ensure that you cut the line at the tank and remove the insert after cutting the tube.

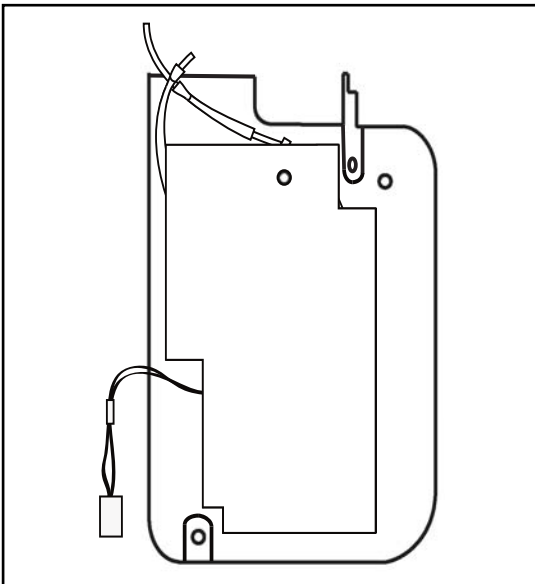
Carefully cut the water line at the exit of the water tank, ensure tubing is cut square and not crimped, to ensure proper seal when installing the coil.



Prepare the coil tank (Part Number WR17X11596) Attach the cut water line to the coil tank (Part Number WR17X11596) using one (1) water connector (Part Number WR02X10471). Ensure tubing is cut square and not crimped, to ensure proper seal when installing the coil.



Orient the coil inside the tank cover as shown in the picture



Re-attach the tank heater to the tank cover.

Route tubing cut from the original tank through the lower of the two conduits.

Reconnect the water tank heater electrical connector to the cabinet liner.

Reinstall water tank per instructions in service guide 31-9162 page 57

Route tubing and cut to fit at water valve and hinge connector, install (1) WR02X12111 ( sealing each end with RTV102 ).

Purge the water system by activating the water dispenser for a minimum of 2 minutes.

After all air has been purged from the coil, check for water leaks inside the Fresh Food compartment.