



**TECHNICAL SERVICE / TRAINING
MANUAL**

500 Series

SECTION 1

GENERAL INFORMATION

TABLE OF CONTENTS

Section 1 - General Information.....1-3
 Introduction1-3
 Important Safety Information1-3
Section 2 - Component Information2-1
 Doors & Drawers2-2
 Refrigerator/Freezer Door Assembly.....2-2
 Freezer Drawer - 511, 550.....2-4
 Door Shelf Assembly2-5
 Dairy Compartment.....2-5
 Door Panel Assembly - All Except 590.....2-6
 Door Dispenser Assembly - 590.....2-8
 Door Closure Assemblies2-8
 Door Adjustment.....2-8
 Refrigerator Drawer/Basket Assys......2-9
 Freezer Components2-10
 Freezer Fan Motor - 501F.....2-10
 Freezer Fan Motor - 532, 542, 561.....2-11
 Freezer Fan Motor - 590.....2-12
 Modular Ice Maker Assy. - 511, 550.....2-14
 Ice Maker Assy. - Model 501F.....2-13
 Compact Ice Maker Assy. - 5502-14
 Ice Maker Assy. - 532, 532, 561.....2-15
 Ice Maker Assy. - 590.....2-17
 Ice Maker Auger Motor Assy. - 590.....2-18
 Water Valve Solenoid - 501F, 511, 532
 542, 550, 561.....2-18
 Dual Water Valve Solenoid - 5902-19
 Controls - 501R/501F2-20
 Controls - 511, 5502-20
 Controls - 532, 542, 5612-21
 Controls - 5902-22
 Evaporator Assembly - 501F2-24
 Refrigerator Evaporator Assembly2-24
 Light Terminator2-25
 Unit Roller Base Assembly.....2-26

Section 3 - Air Flow & Fan Blade Spacing...3-1
 Air Flow - 501R.....3-2
 Air Flow - 501F3-3
 Refrigerator Air Flow - 511, 5503-4
 Freezer Air Flow - 511, 550.....3-4
 Refrigerator Air Flow - 532, 542, 5613-5
 Freezer Air Flow - 532, 542, 5613-5
 Refrigerator Air Flow - 5903-6
 Freezer Air Flow - 5903-6
Section 4 - Exploded Views and Parts Lists.....4-1
 501R4-2 thru 4-7
 501F.....4-8 thru 4-13
 5114-14 thru 4-15
 532.....4-16 thru 4-27
 542.....4-28 thru 4-35
 550.....4-36 thru 4-43
 561.....4-44 thru 4-51
 590.....4-52 thru 4-57
 Icemaker4-58 thru 4-59
Section 5 - Technical Data.....5-1
 501R5-2
 501F.....5-3
 5115-4
 532.....5-5
 542.....5-6
 550.....5-7
 561.....5-8
 590.....5-9
Section 6 - Wiring Diagrams/Schematics6-1
 501R6-2 thru 6-6
 501F.....6-7 thru 6-14
 5116-15
 532.....6-16 thru 6-25
 542.....6-26
 550.....6-27 thru 6-33
 561.....6-34 thru 6-39
 590.....6-40 thru 6-43

INTRODUCTION

This manual has been prepared for your use in servicing Sub-Zero 500 Series units. Included are helpful facts on service, troubleshooting, specifications and parts information.

It is important that you familiarize yourself with the product as much as possible before initiating any maintenance, troubleshooting or repairs.

IMPORTANT: Always refer to the Parts Price List for any parts that may have been superseded by serial number.

NOTE: Always have the model & serial number available when ordering parts. The model and serial number tag is located:

- by the top door hinge of the freezer section in SIDE-BY-SIDE models.
- by the top door hinge of the refrigerator section in OVER-AND-UNDER models.
- by the top door hinge in ALL-FREEZER and ALL-REFRIGERATOR models.

IMPORTANT SAFETY INFORMATION

At right are the Product Safety Labels used in this manual. The “Signal Words” used are WARNING or CAUTION.

Below the Product Safety Labels is a description of the precautions to be taken when the signal word is observed.

When reviewing this manual, please note these different safety labels places in areas where awareness of personal safety and product safety should be taken.

TECHNICAL ASSISTANCE

We encourage you to review this manual and get acquainted with the information. If you should have any questions regarding this equipment, please contact:

Sub-Zero Freezer Co., Inc.
Attn: Service Department
4693 West Beltline Hwy.
Madison, WI 53711-2798

Customer Service
&
Parts Warranty Claims Phone
Phone (800) 222-7820
Phone (608) 271-2233

Technical Assistance
Phone (800) 919-8324

Customer Service
&
Technical Assistance
Facsimile (608) 270-3355

Parts Warranty Claims
Facsimile (608) 270-3365

Service Department E-Mail Address
customerservice@subzero.com

Office Hours
7:00 AM to 7:00 PM Central Time
Monday - Friday

⚠ WARNING
Indicates that hazards or unsafe practices could result in severe personal injury or death.

⚠ CAUTION
Indicates hazards or unsafe practices could result in minor personal injury or product and/or property damage.

<p>This manual is designed to be used by Authorized Service Personnel only. Sub-Zero Freezer Co., Inc. assumes no responsibility for any repairs made on Sub-Zero refrigeration units by anyone other than Authorized Service Technicians.</p>
--

SECTION 2

COMPONENT INFORMATION

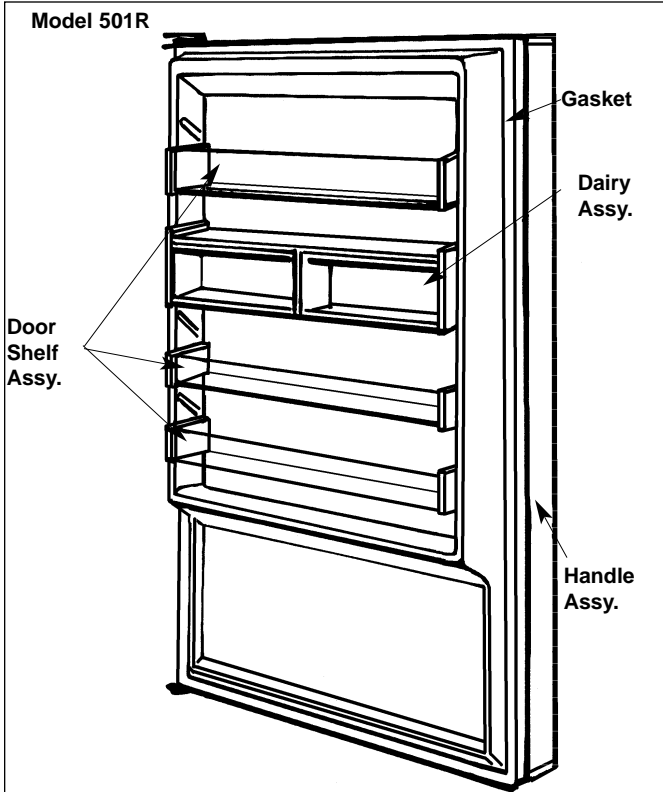


Figure 2-1. Refrigerator Door

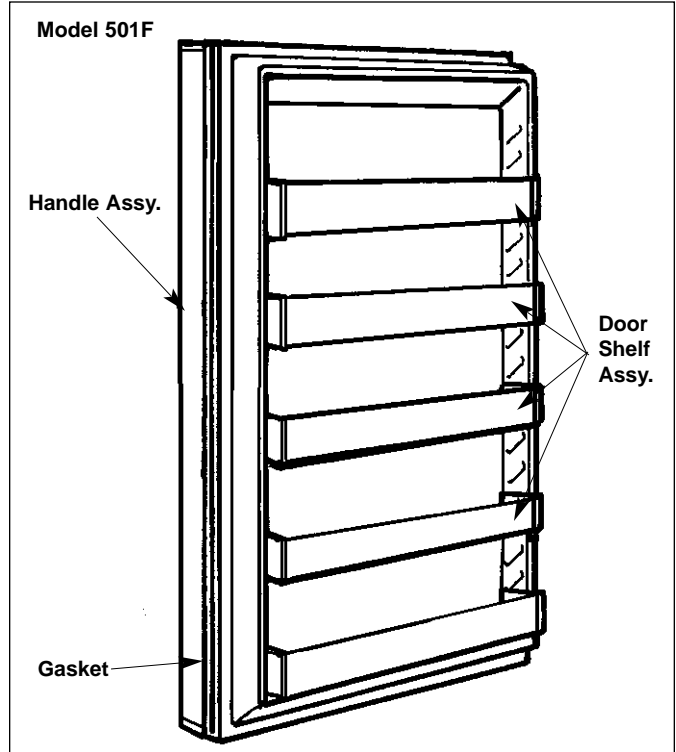


Figure 2-2. Freezer Door

DOORS AND DRAWERS

Refrigerator/Freezer Door Assembly

See Figures 2-1 thru 2-7. Door assemblies consist of the following parts:

- Door shell and liner with solid foam core
- Door gasket
- Door trim
- Door handle assy.

NOTE: Service replacement doors do not include handle assemblies.

NOTE: The dairy assy. and door shelf assy. are independent from the door assy.

NOTE: Models 501R, 501F, 511, 532, 542 & 561: Extended Door Handle Packages are available for raised panel applications. Contact your parts or product distributor.

If either the door handle end caps should happen to crack or break, order standard Handle End Cap Package, part no. 4-20-049-0 or Extended Handle End Cap Package, part no. 4-20-070-0.

NOTE: Model 590: If either the door handle end caps should happen to crack or break, order 590 Handle End Cap Package, part no. 4-20-092-0.

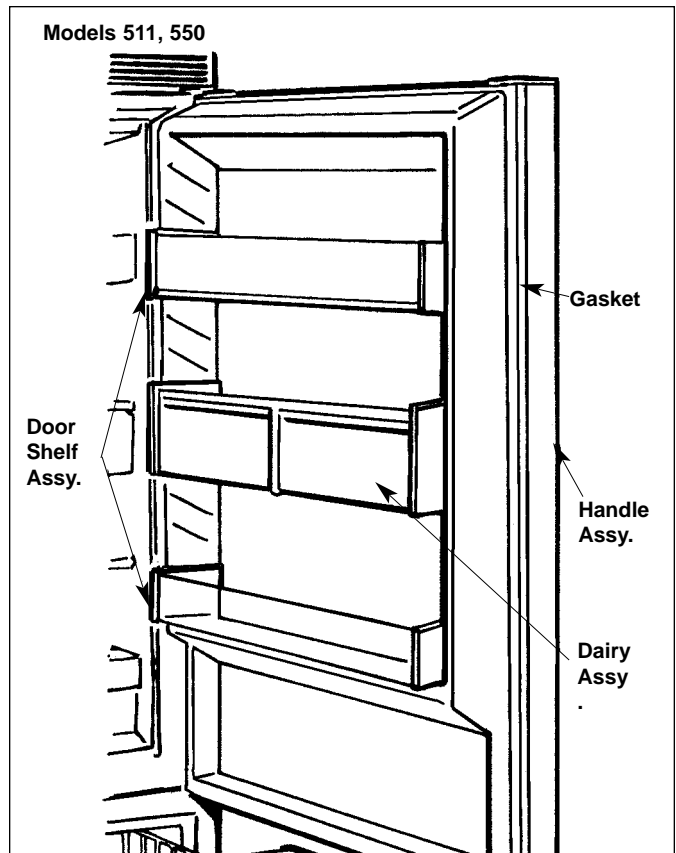


Figure 2-3. Refrigerator Door

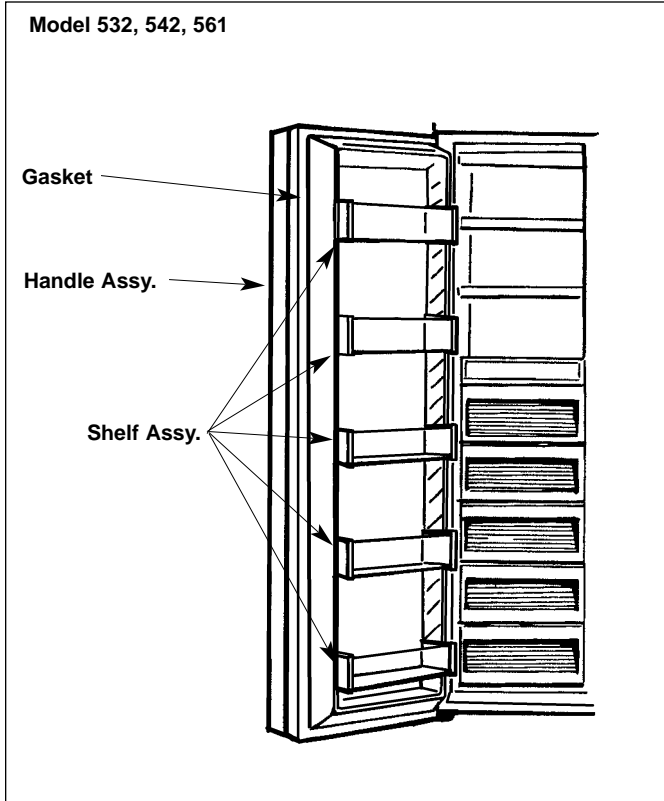


Figure 2-4. Freezer Doors

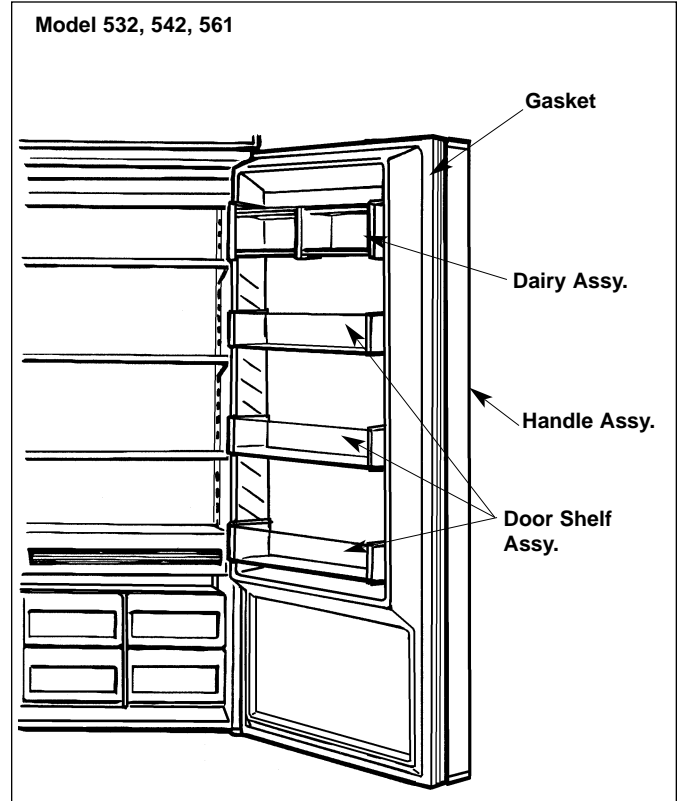


Figure 2-5. Refrigerator Doors

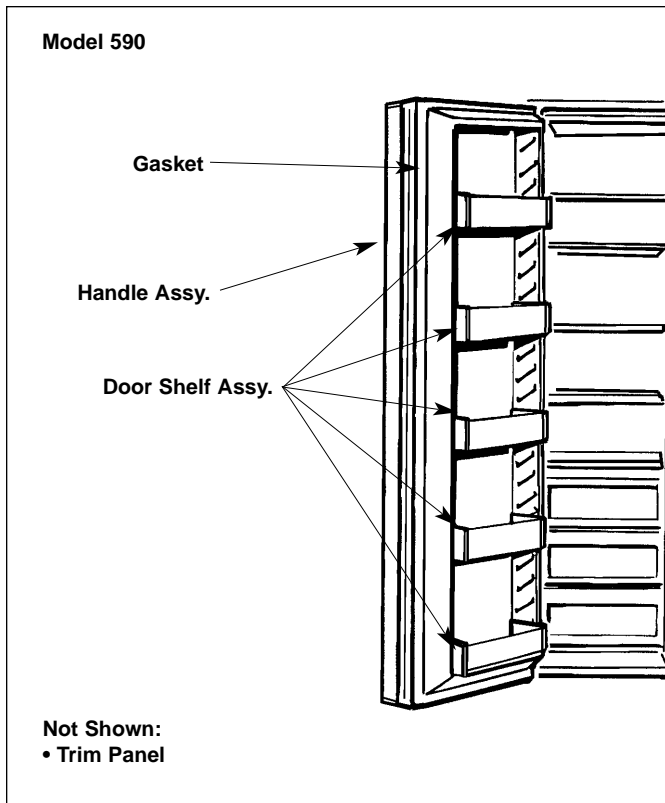


Figure 2-6. Freezer Door

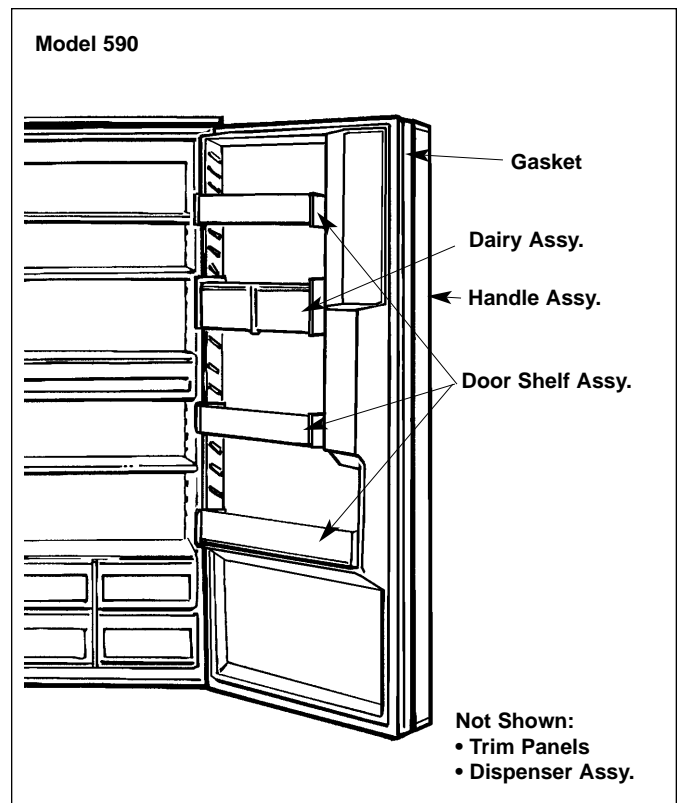


Figure 2-7. Refrigerator Door

Freezer Drawer Assembly - Models 511, 550

▲ CAUTION

Freezer drawer is heavy. Use proper lifting techniques when removing drawer assy.

The freezer drawer assembly pulls out, providing access to the food and ice. The drawer consists of the following:

- Foamed drawer shell
- Door liner
- Drawer trim and handle
- Gasket
- Upper basket
- Lower basket

The drawer slides have a built-in self-closing incline feature. The complete drawer assembly can be removed by lifting up and out while holding the upper basket (Figure 2-8).

The lower basket is fixed to the frame assy. The upper basket rolls in and out on the frame assy. and drawer slides (Figure 2-9).

NOTE: Attached to the back of the bottom freezer basket frame is a restraint clip (not shown). This clip holds the upper roll-out basket to the frame. This clip is **not** to be removed or discarded; it is installed to prevent child entrapment.

FREEZER DRAWER ADJUSTMENT-MODELS 511 & 550

1. Loosen the two rear screws of each cabinet drawer slide, and remove the screw at the slide front (Figure 2-10).
2. Relocate the front screw to the desired position (Figure 2-10). After adjustment, tighten all screws and reinstall the drawer. Check door seal for proper gasket seating.
3. To adjust the drawer pitch, remove the two plastic plugs on each side of the liner (Figure 2-11). Use a socket wrench to loosen all four

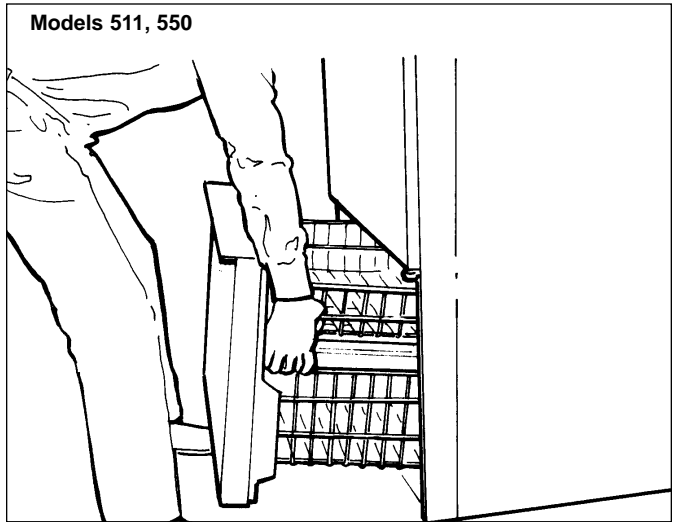


Figure 2-8 Removing Freezer Drawer

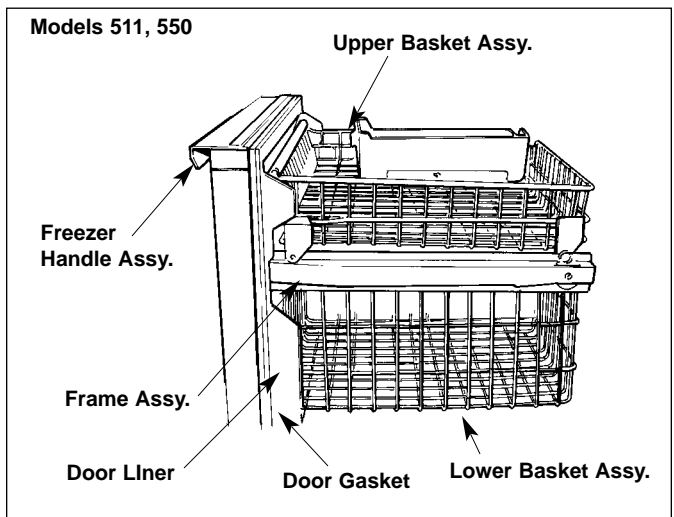


Figure 2-9. Freezer Drawer Assy.

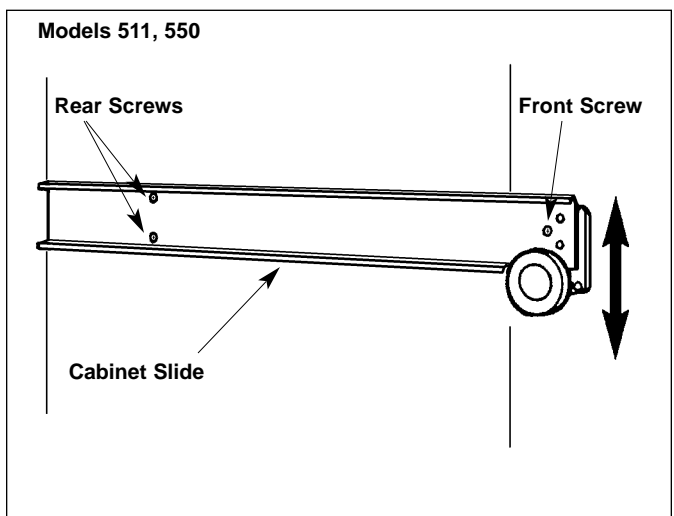


Figure 2-10. Drawer Up-And-Down Adjustment

1/2" bolts (two on each side). Make the necessary adjustment, then retighten all bolts. Reinstall plastic plugs.

NOTE: If there is too much side-to-side movement, the cabinet slides may be spaced out. To fine tune the drawer tracking, the following shims are available:

- Front Shim, part no. 0232300
- Rear Shim, part no. 0232310

Door Shelf Assembly - All Models

The door shelf assy. slides into the molded tracks of the door liner. To disassemble the door shelf:

1. Place a flat-bladed screwdriver into the outside end cap and pry the end cap away from the shelf assembly (Figure 2-12).
2. This will release the end caps from the door shelf, allowing the door shelf support to slide off the open end (Figure 2-13).

Dairy Compartment - All Models

The dairy compartment assy. slides into the molded tracks of the door liner in the same manner as the door shelves. To disassemble the dairy compartment:

1. Insert a flat blade screwdriver into the outside end cap and pry away from the dairy compartment (Figure 2-12).
2. Release the two lock tabs and remove the inside end caps.
3. The dairy doors with the magnetic catch strip pivots between the center divider and the inside end caps. To remove the center divider, release the lower tab from the back side of the compartment and drop it down to release the upper tab.
4. The door gasket pushes into the channel around the dairy compartment.

NOTE: The bottom strip of the gasket contains the magnet.

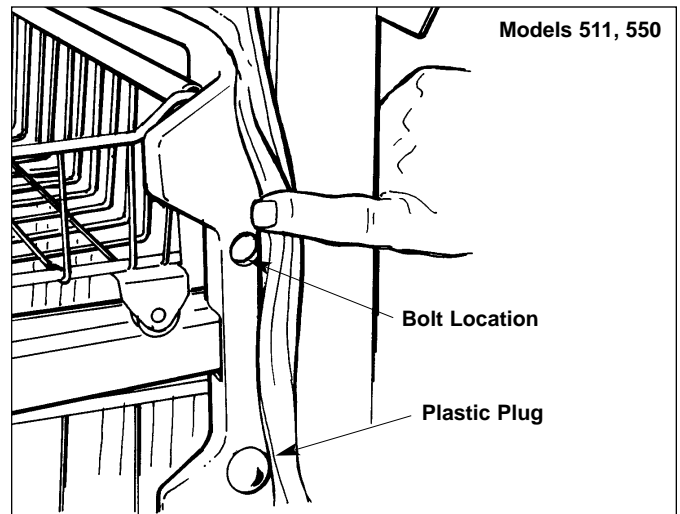


Figure 2-11 Door Pitch Adjustment

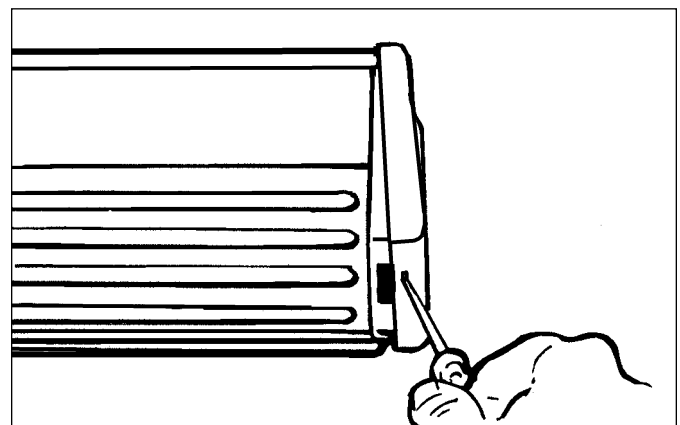


Figure 2-12. Installing/Removing Door Shelf Assy.

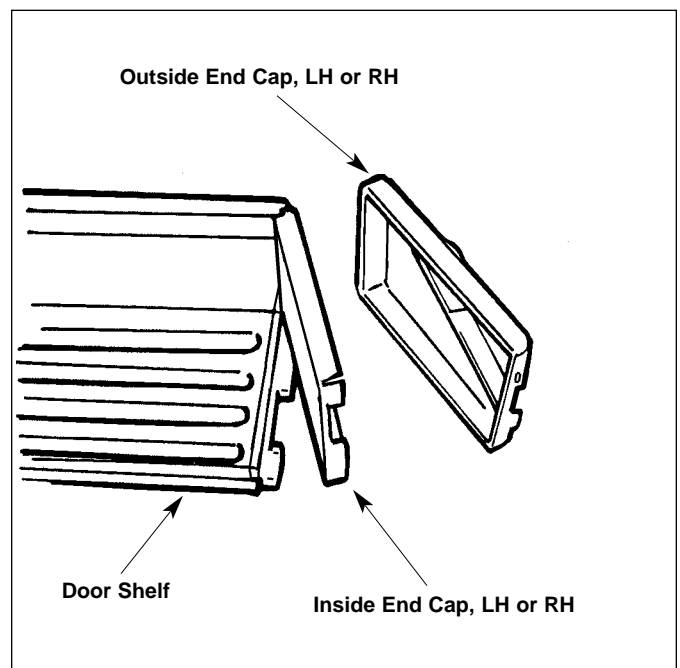


Figure 2-13. Door Shelf Disassembly

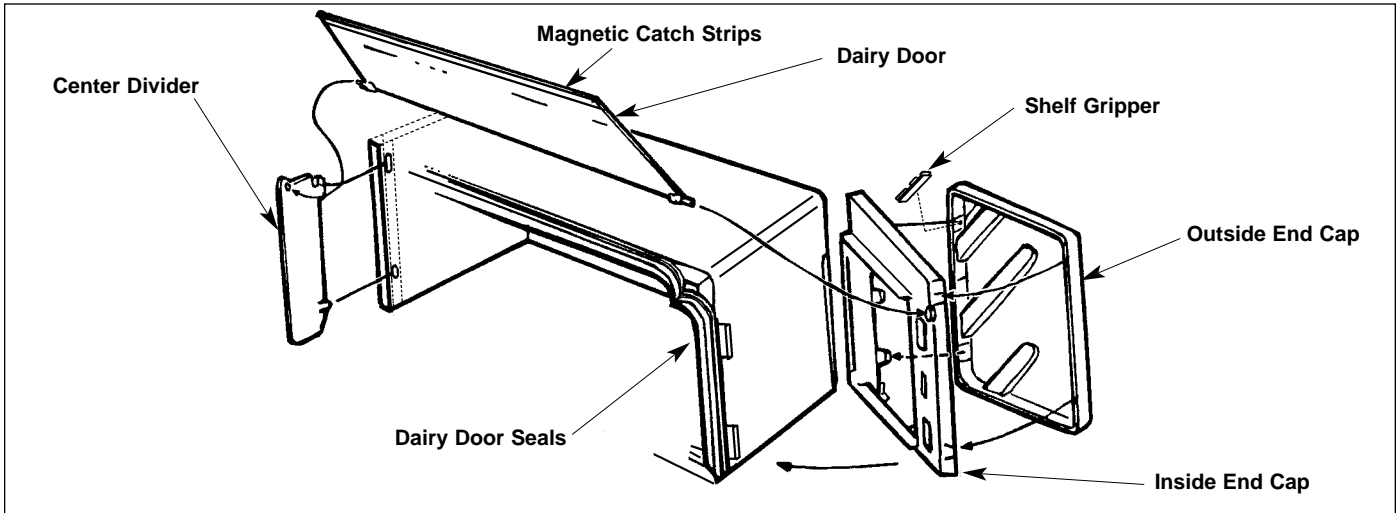


Figure 2-14. Dairy Compartment Assy.

**Door Panel Assembly
- All Models Except 590**

To install or remove a door panel, use the following procedure.

1. Remove the door handle trim moldings from the handle. The trim moldings are held in place with magnets. Place one end of a piece of tape in the center of the molding, and remove molding by pulling on the tape (Figures 2-15).
2. Remove the door handle screws (Figure 2-15) and remove the door handle.
3. Install the selected door panel into the exposed channel.
4. Reinstall the door handle and handle trim moldings.

NOTE: *Extended Grip Full Length Handles, for thicker raised panels are available from your parts or product distributor.*

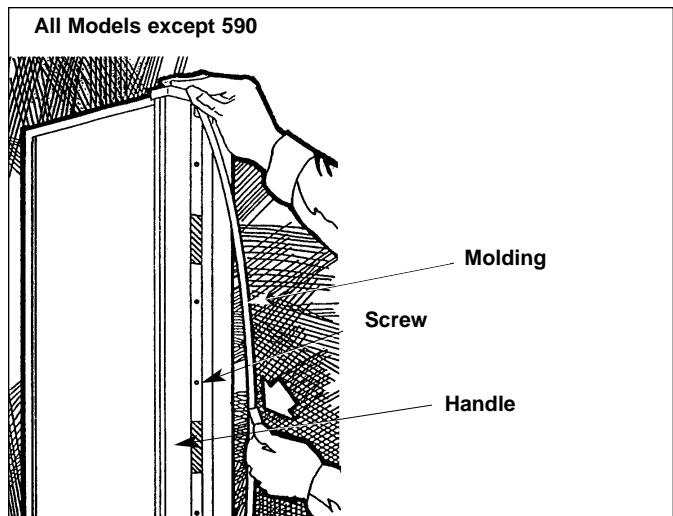


Figure 2-15. Door Moldings and Handle

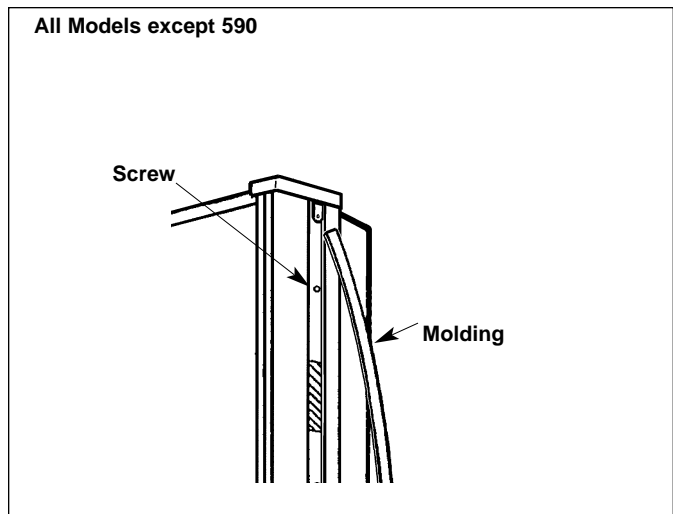


Figure 2-16. Door Moldings

Door Panel Assembly - Model 590

To install or remove a door panel, use the following procedure.

1. Remove the door handle trim moldings (Figure 2-17). The trim moldings are held in place with magnets. Place one end of a piece of tape in the center of the molding, and remove molding by pulling on the tape.
2. Remove the door handles from the freezer and/or refrigerator doors.
3. Remove the trim panel(s) by sliding them out of the doors (Figure 2-18).
3. **Refrigerator Door Assy. Only.** Remove the water and ice glasswell by removing the glasswell screw (Figure 2-18). Slide the glasswell up and pull out.
4. Remove the top and bottom trim filler mounting screws and trim fillers (Figure 2-19). Also, remove the vertical trim strip and mounting screw.
5. Install the selected door panels by sliding into the frame on the door.
6. Reverse steps 1 - 4 to reassemble.

Door Dispenser Assembly - Model 590

⚠ WARNING

Always disconnect electrical power at the master power switch before attempting repair.

Use the following procedure to remove the door dispenser assembly.

1. Remove the door handle, trim and panels as described on previous page.
2. Remove the glasswell screw. Slide the glasswell assembly up and out (Figure 2-18).
3. Remove the vertical trim strip and screws (Figure 2-19).

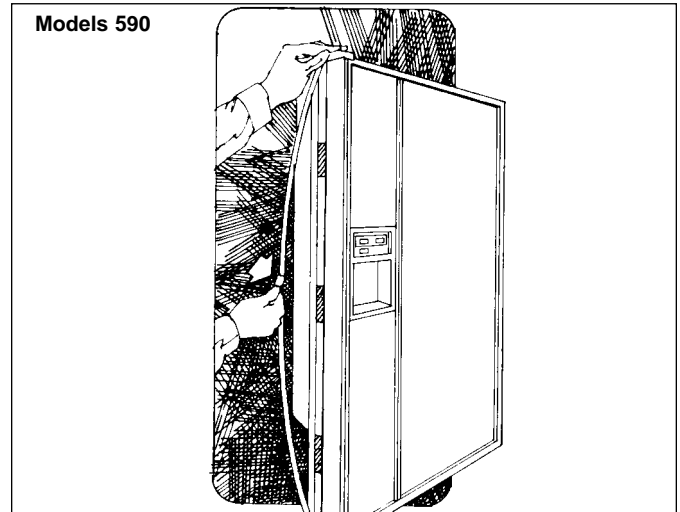


Figure 2-17. Door Trim Molding

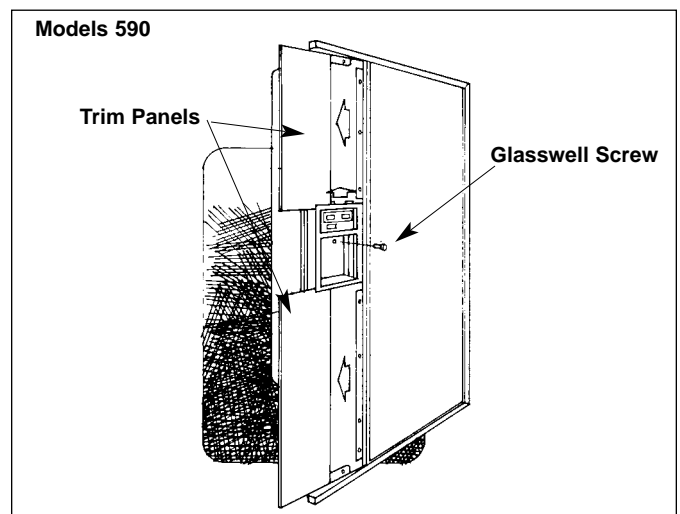


Figure 2-18. Door Trim Panels

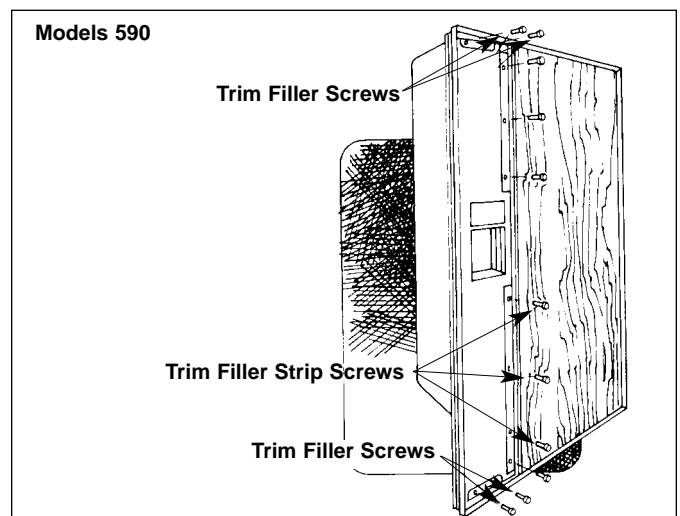


Figure 2-19. Door Trim Screws

4. Remove the six Phillips head screws securing the door dispenser assy., then remove the dispenser by pulling the bottom out and down.
5. Disconnect wiring harnesses and green ground wire from the dispenser.

NOTE: The door dispenser cannot be field repaired; it must be replaced.

6. To reassemble, reverse steps 1 - 5.

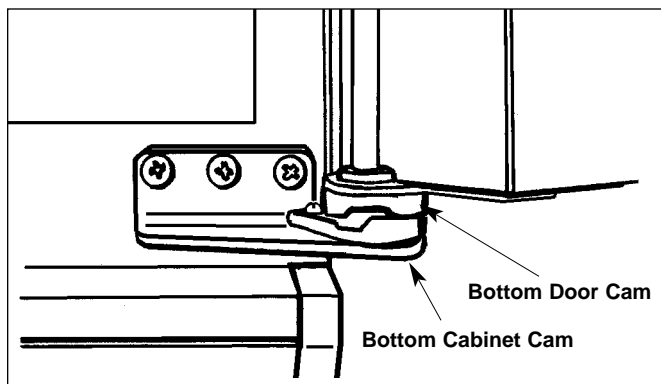


Figure 2-20. Gravity Door Closer

Door Closer Assemblies

GRAVITY TYPE CLOSER - Model 501R & 501F Prior To Serial No. 836000; Model 511 & 550 Regardless of Serial No.

When the door is closed, the door closer cams (Figure 2-20) should not be totally bottomed-out. Both cams should be riding up and down on each other for the proper closure action.

NOTE: An Accessory Door Stop Package is available. See DSRH & DSLH in Service Parts Price Book.

SPRING STOP/CLOSURE ASSY.

The spring door closer assy. allows the door to stop at 130° and utilizes a spring-assist door closing mechanism.

NOTE: An Accessory Door Stop Package is available which will stop the door at 87°, 90° or 105°. See DS90 and DS105 in Service Parts Price Book.

NOTE: Replacement door closer assemblies are supplied with replacement instructions.

Door Adjustment

NOTE: The unit must be level before adjusting doors.

If unit is properly installed, blocked and leveled, it may still be necessary to adjust the door(s) from left to right and/or in and out. Adjustments are performed at the top and/or bottom door hinge(s). In each door hinge are two small Phillips head shipping screws that will need to be removed and discarded before adjustments are made. The remaining larger door hinge screws are then loosened, allowing door adjustment from left to right and/or in and out (Figure 2-21). After adjusting the door, the door hinge screws are tightened back down and the door seal checked for proper gasket sealing.

NOTE: If a side-by-side unit is properly installed and leveled, and the doors properly adjusted yet one door lines up higher than the other, a bottom hinge spacer (part no. 0183100) is available. The door hinge screws of the lower door hinge are loosened and the hinge spacer(s) inserted between the bottom door trim and the bottom door hinge (Figure 2-22). This will raise the door slightly. The door hinge screws are then tightened back down. Bottom hinge spacer (part no. 0183100) will **NOT** work on over-and-under units.

Refrigerator Drawer and Freezer Basket Assemblies - All Models

The crisper drawer and roll-out basket drawer are similar in design. Replacement parts include fronts, windows, baskets and drawers (Figure 2-23).

1. Remove the screws from the bottom of the assembly front.

NOTE: These screws are not used on the crisper assy.

2. Release the tabs on the top corners of the fronts using a flat-blade screwdriver. Depress the tab and pull the front forward slightly so the tab will not relock, then repeat for the other side.
3. To reassemble, hold windows and slides in place (if used). Position the bottom of the front piece over the lower tabs, then secure to the the top tabs. Install the screws (if used) through the bottom of the front piece.

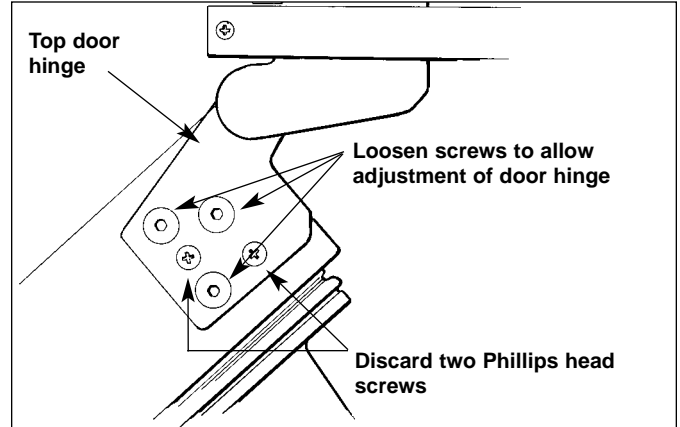


Figure 2-21. Door Adjustment

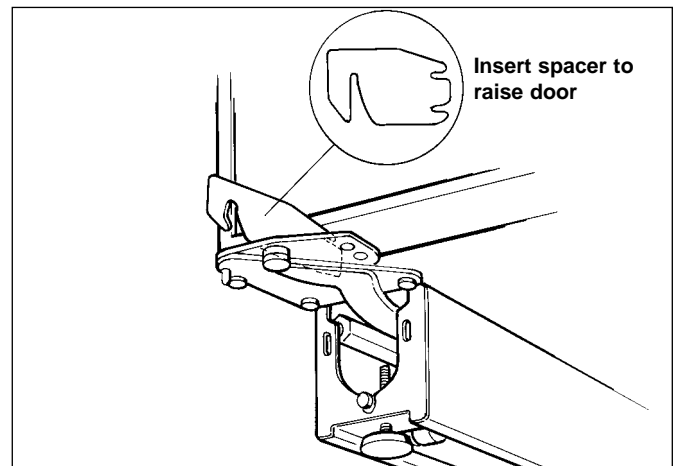


Figure 2-22. #0183100 Hinge Spacer Installation

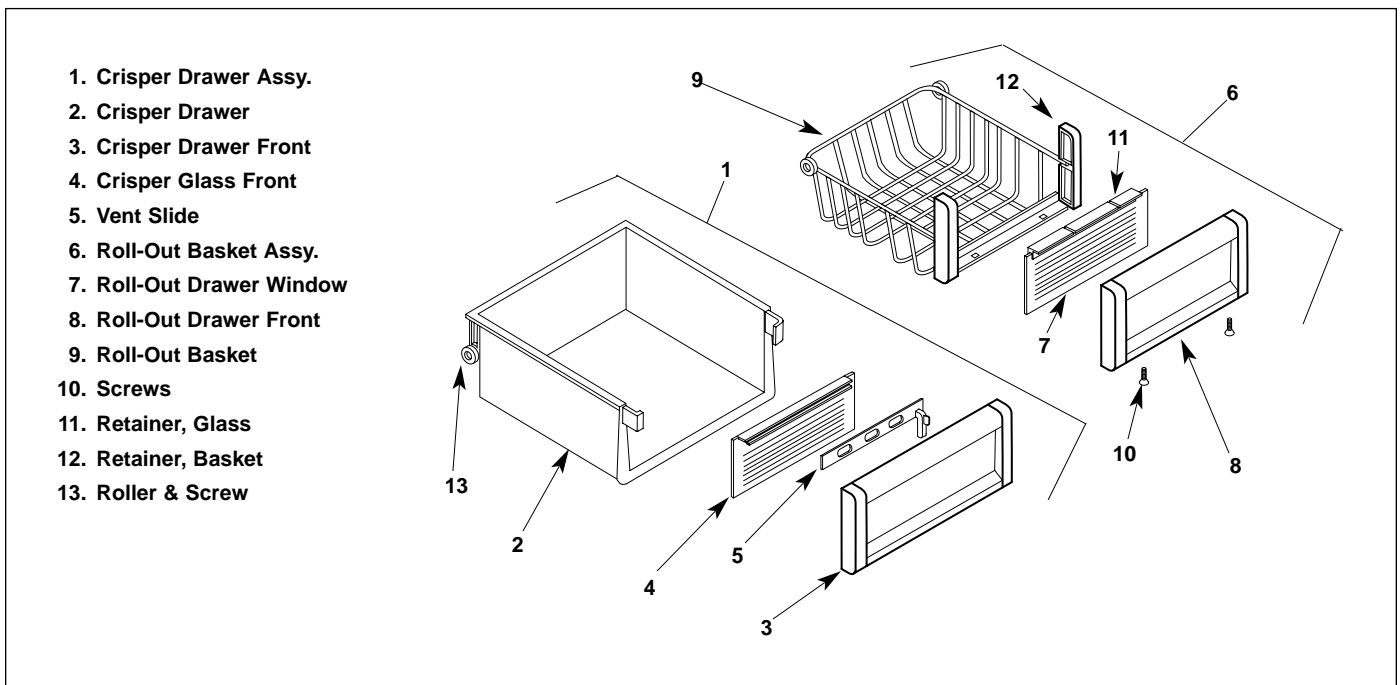


Figure 2-23. Crisper and Roll-Out Basket Assemblies

FREEZER COMPONENTS

▲WARNING

Always disconnect electrical power to equipment before attempting repairs.

Freezer Fan Motor - Model 501F

1. Remove the overhead light diffuser by grasping the back edge and pulling forward to release, then drop the front edge out of the channel. (Figure 2-24).
2. Remove the two screws from front of fan guard and lift out (Figure 2-25).
3. Tilt the evaporator cover out at the top and lift off of the posts at the bottom.
4. Remove the screws holding the fan shroud in place and disconnect the lighting electrical leads.
5. Remove the fan bracket screws and pull out the bracket and fan motor assy. (Figure 2-26).
6. Disconnect the motor electrical connection (Figure 2-26).
7. To reassemble, reverse steps 1-6.

NOTE: Clamp position should always be UP (Figure 2-27).

NOTE: As a service part replacement, white fan blade, part no. 3-15-006-0, must be used prior to S/N 663116/P679466. From S/N 663116/P679466 to M/P1004775, use the black fan blade, part no. 3-15-045-0. Starting with S/N M/P1004775, use grey fan blade, part no. 3-15-052-0.

NOTE: Fan blade position after Serial Number 1004775 is 1-5/8".

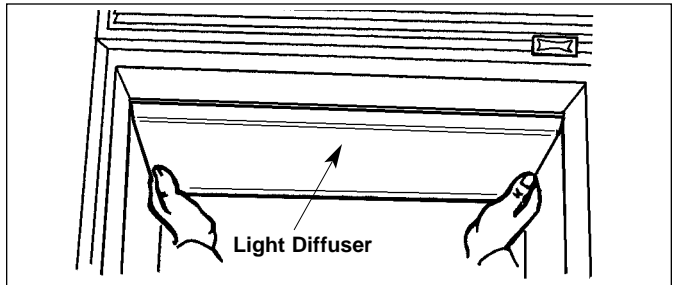


Figure 2-24. Light Diffuser

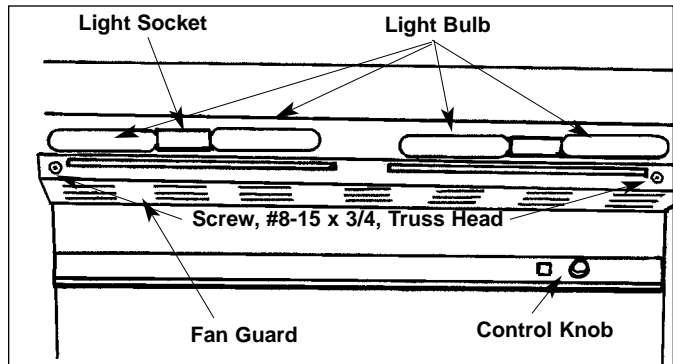


Figure 2-25. Fan Guard

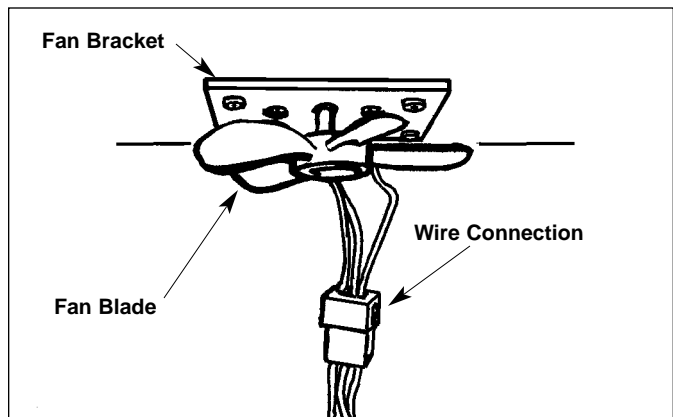


Figure 2-26. Evaporator Fan Blade Assy.

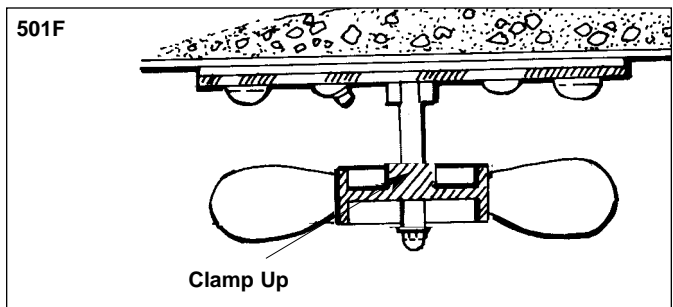


Figure 2-27. Evaporator Fan Assy.

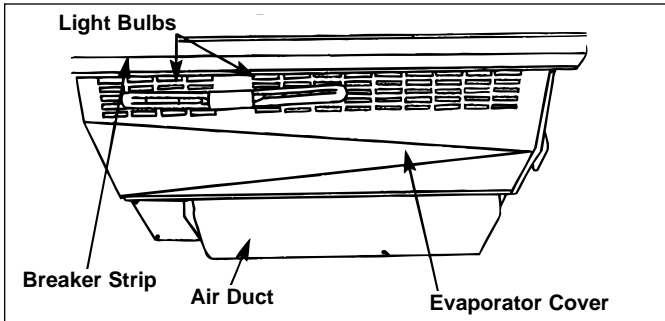


Figure 2-28. Model 511, 550 Freezer Compartment, Top

Freezer Fan Motor - Models 511, 550

1. To access and remove the evaporator fan assembly, the freezer air duct and evaporator cover will need to be removed first (Figure 2-28).
2. Remove the mounting screws at the left side of the fan shroud. Tilt the front edge of the assembly down and disconnect the fan motor wiring from the wire harness (Figure 2-29).
3. Continue to tilt the assembly forward and pull out. The freezer evaporator fan can now be removed from the fan shroud.

NOTE: When reinstalling freezer evaporator fan assembly, the oblong holes in the rear flange of the fan shroud must be placed over the two upper white pegs in the rear wall.

Freezer Fan Motor - Models 532, 542, 561

1. To access the freezer evaporator fan motor, remove the freezer duct/shelf (Figure 2-30). Remove the two #10-12 x 1/2 screws from the cover and raise up. Disconnect wire harness and continue to raise up until the top lip of the cover releases from the air diffuser. The fan motor is mounted behind the evaporator on the freezer fan shroud (Figure 2-31).
2. To remove fan, remove the screws (Figure 2-24) from the top of the shroud and pull the shroud forward., The fan assembly will now lift straight up from behind the evaporator (Figure 2-31).

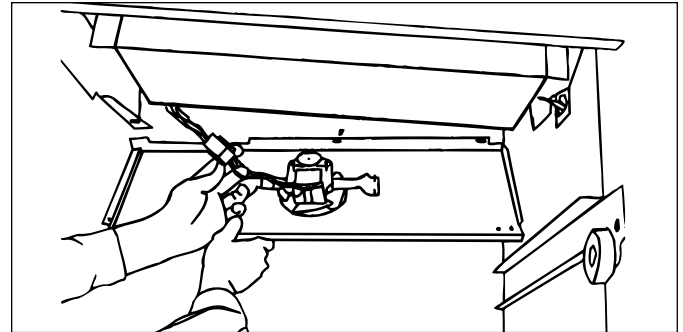


Figure 2-29. Model 511, 550 Freezer Assy.

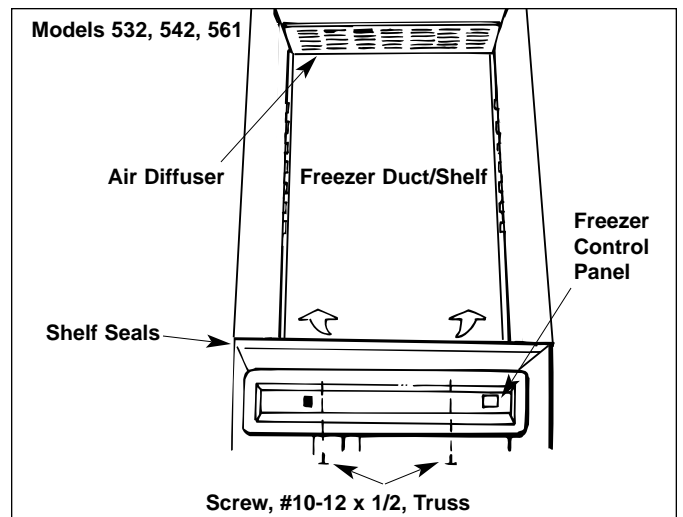


Figure 2-30. Freezer Duct/Shelf

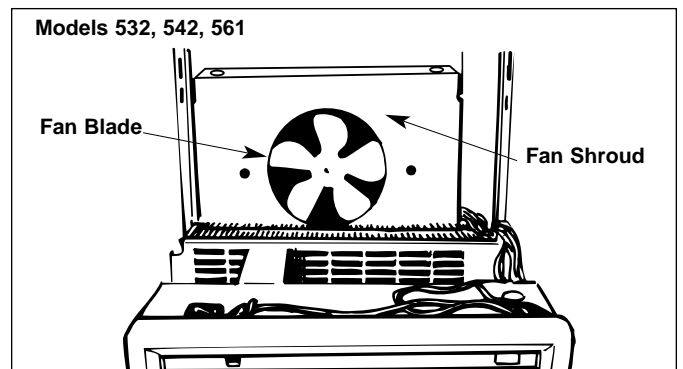


Figure 2-31. Freezer Fan

NOTE: When reinstalling the fan, angle the bottom of the fan shroud towards the back of the freezer and then raise the top of the shroud into position to secure at top. A properly installed shroud will be parallel to the evaporator.

3. Reinstall the freezer duct/shelf (Figure 2-30). Insert the top lip of the cover behind the air diffuser and then lower it. Be sure the cutouts in the cover line up with the tabs at the back.

Freezer Fan Motor - Model 590

1. To access the freezer evaporator fan motor, lift off the freezer utility rack (Figure 2-32).
2. Remove the top diffuser. Remove front evaporator cover held in place with two screws at the top and two screws at the bottom (Figure 2-33).

NOTE: On Model 590, remember to remove screw just below water reservoir area before tilting evaporator cover forward.

3. Remove two screws, then pull fan motor assembly out (Figure 2-34).

NOTE: Fan motor wires are held in place by a clip on the side wall.

4. For reassembly, reverse steps 1 - 3.

NOTE: After fan motor is installed, make sure fan blade rotates freely.

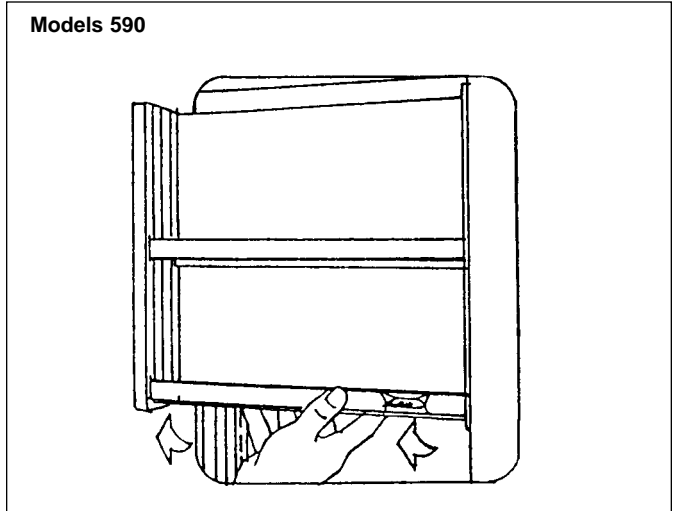


Figure 2-32. Freezer Utility Rack

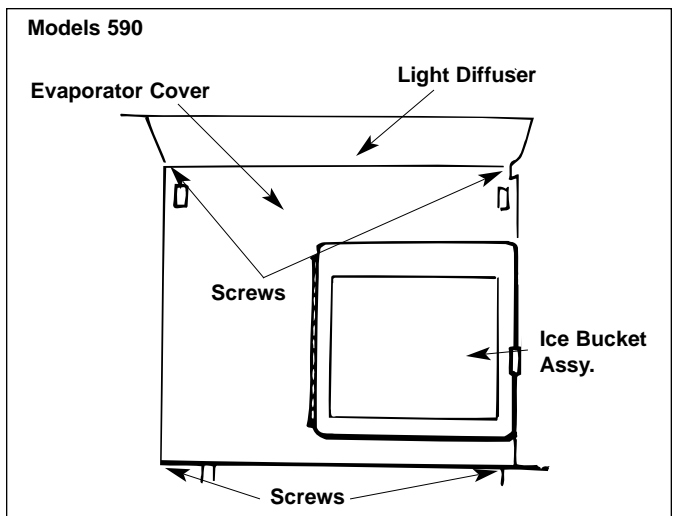


Figure 2-33. Evaporator Cover

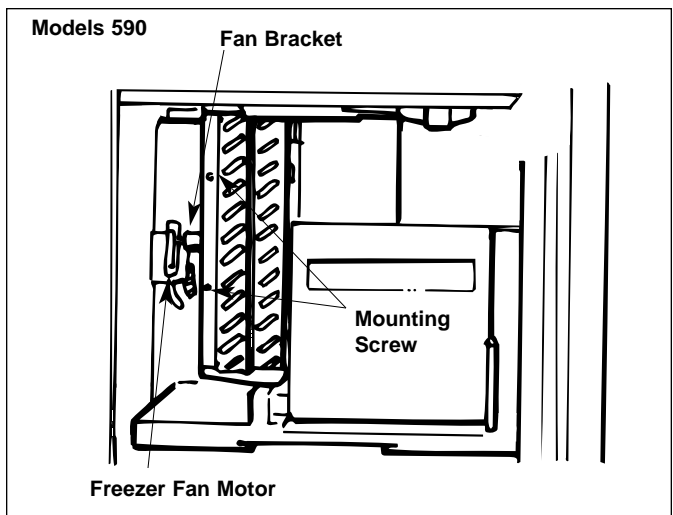


Figure 2-34. Freezer Fan Motor

Ice Maker Assy. - Model 501F

▲ WARNING

Always disconnect electrical power to equipment before attempting repairs.

▲ CAUTION

Do not manually advance the ejector blades on the modular ice maker.

The ice bucket is located in the top right freezer basket (Figure 2-35).

The ice maker is connected to the ice level arm by a connecting rod (Figure 2-36).

When the ice bucket is removed, ice production will stop. There is a tab on the rear left hand corner of the bucket that activates the ice maker switch (Figure 2-36).

1. To access and remove the icemaker assy., remove the top right freezer basket which contains the ice bucket.
2. Slide the connecting rod to the right, off of the icemaker shut-off arm, allowing the ice level arm to drop out of the way.
3. Remove the mounting screw at the bottom left of the icemaker which secures the icemaker bracket to the drain trough enclosure.
4. Extract the two mounting screws at the top rear, above the icemaker mold.
5. Pull the icemaker assy. forward and disconnect the electrical leads from the icemaker.

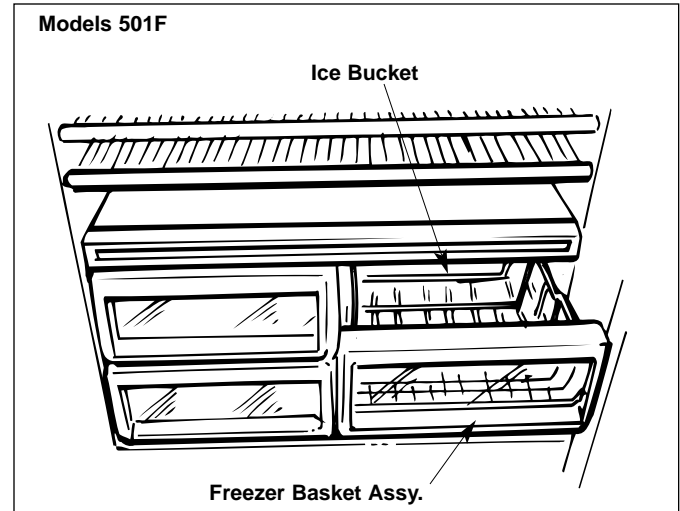


Figure 2-35. Ice Bucket

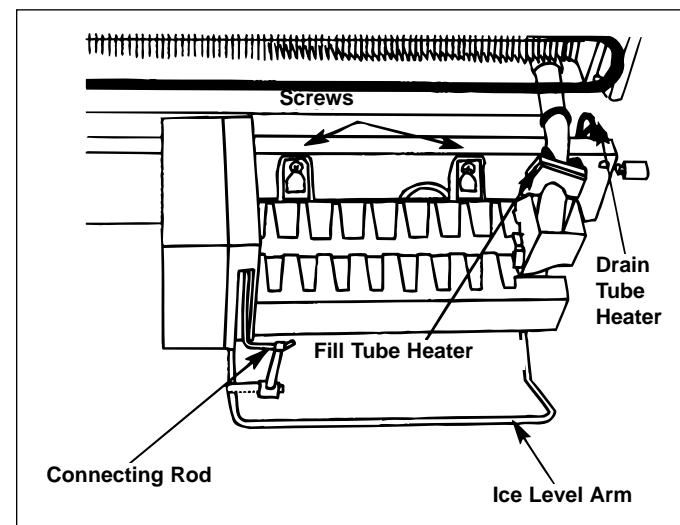


Figure 2-36. Icemaker Area

**Compact Ice Maker Assembly
Model 550 Prior to Serial Number
M/P681166, and between Serial Numbers
M/P681565 to M702716/P700765**

The ice maker assy. linkage roller contacts the back of the the ice bucket and raises or lowers the ice level arm, when the ice bucket is pushed in or out. Ice production stops when the bucket is removed.

NOTE: If the shut-off arm on the right hand side of the ice maker is not activating the shut-off micro switch, the shut-off arm should be manually adjusted toward the ice maker until contact is achieved.

**Modular Ice Maker Assembly
Model 511, 550 Between Serial Number
M/P681166 to M/7681565, and starting with
Serial Number M702716/P700765**

▲WARNING
Always disconnect electrical power to equipment before attempting repairs.
▲CAUTION
Do not manually advance the ejector arms or drive gear or the main assy. will be destroyed.

The ice bucket is located in the top left rear corner of the top freezer basket (Figure 2-38). A tab on the rear left corner of the bucket activates the ice-maker switch. If the ice bucket is out of position, ice production will stop.

NOTE: If the ice maker stops making ice, verify ice bucket is in position and check the shut-off arm to see if it is stuck in the up (off) position.

The ice maker is located in the upper left corner of the freezer compartment and secured to the side wall by two screws above the ice maker and one screw below it (Figure 2-39).

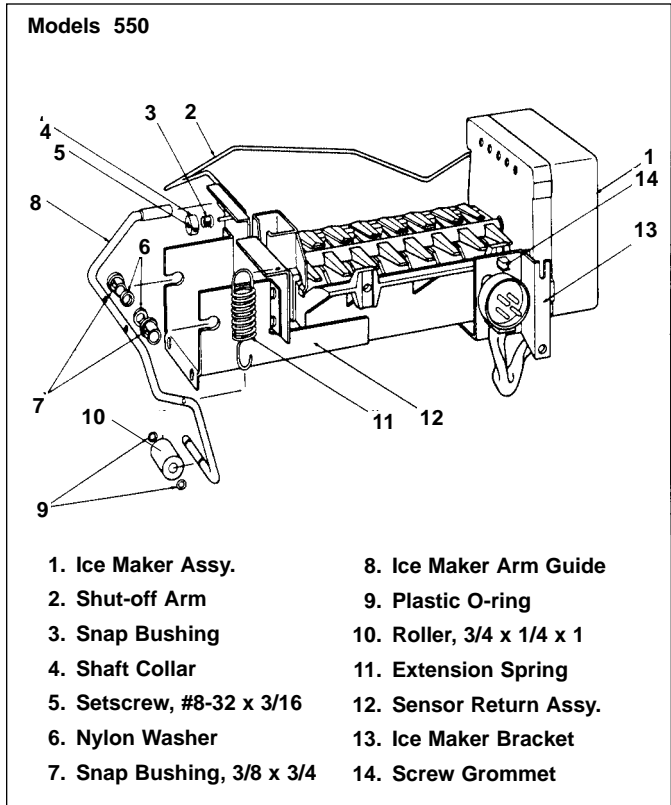


Figure 2-37. Compact Icemaker

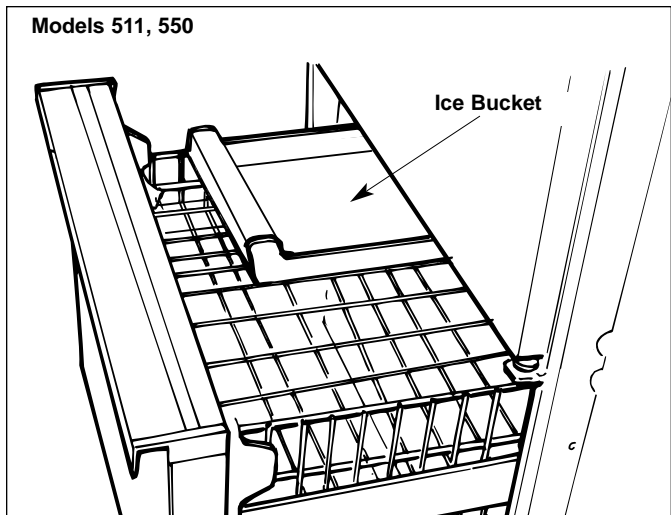


Figure 2-38. Ice Bucket Location

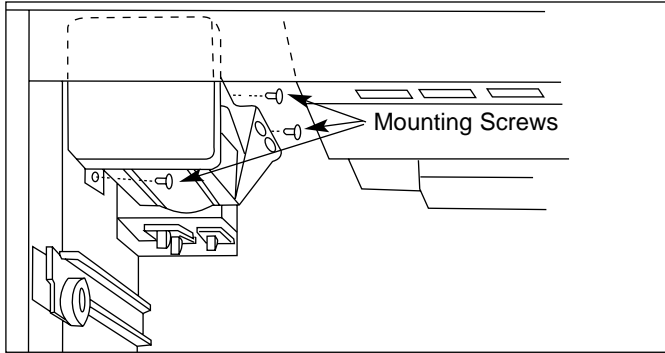


Figure 2-39. Models 511, 550 Icemaker

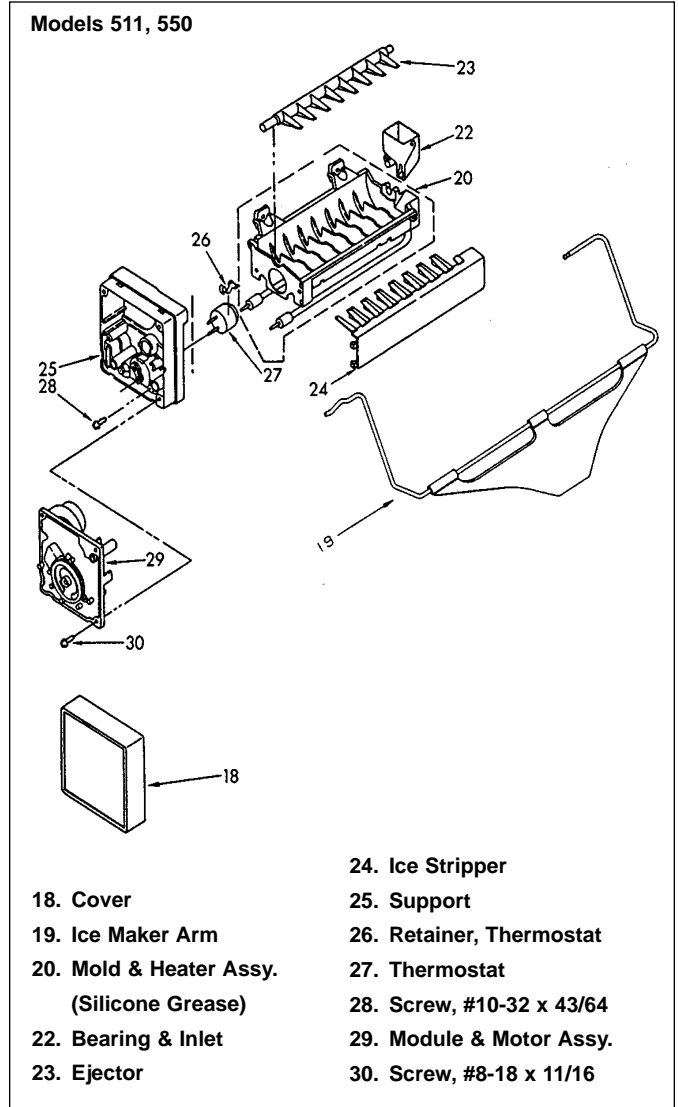
1. To remove the icemaker, extract the mounting screw at the bottom of the icemaker which secures the icemaker bracket to the left side wall.
2. Then extract the two mounting screws at the top, above the icemaker mold (Figure 2-39).
3. Pull the icemaker assy. down and disconnect the electrical leads from the icemaker.

Ice Maker Assembly - Models 532, 542, 561

⚠ WARNING
Always disconnect electrical power to equipment before attempting repairs.
⚠ CAUTION
Do not manually advance the ejector blades on a modular ice maker or the unit will be damaged.

The back channel of the ice bucket hooks over the ice bucket carriage assembly (Figure 2-41).

The guide on the carriage assy. contacts the arm of the ice maker linkage (Figure 2-42). As the carriage assy. is pulled out, the arm rides up the guide and the linkage will raise allowing clearance for the ice bucket. When the carriage is pushed back, the linkage drops into the ice bucket to sense the level of the ice.



- | | |
|--|---|
| <p>18. Cover</p> <p>19. Ice Maker Arm</p> <p>20. Mold & Heater Assy. (Silicone Grease)</p> <p>22. Bearing & Inlet</p> <p>23. Ejector</p> | <p>24. Ice Stripper</p> <p>25. Support</p> <p>26. Retainer, Thermostat</p> <p>27. Thermostat</p> <p>28. Screw, #10-32 x 43/64</p> <p>29. Module & Motor Assy.</p> <p>30. Screw, #8-18 x 11/16</p> |
|--|---|

Figure 2-40. Modular Icemaker

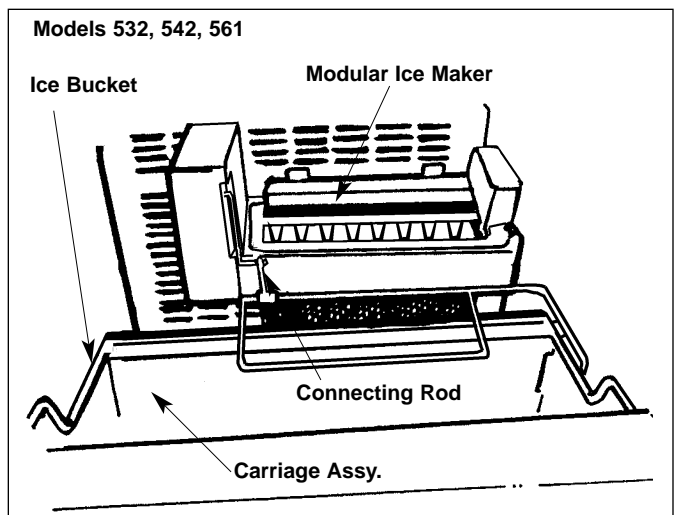


Figure 2-41. Ice Bucket

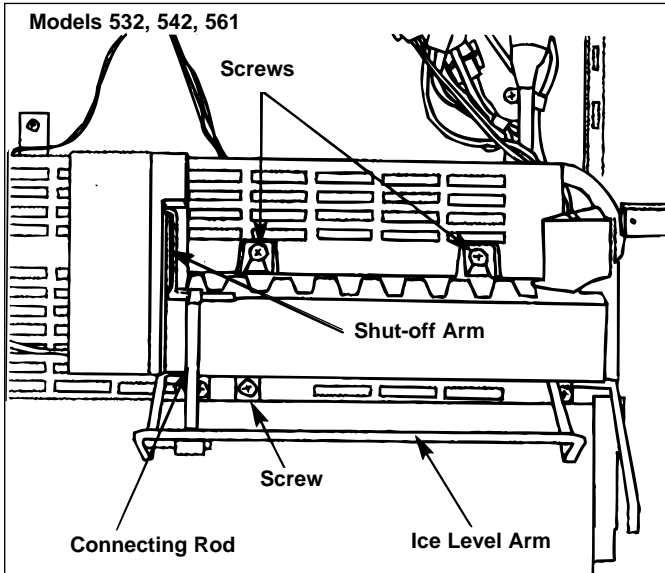


Figure 2-42. Icemaker

The linkage is connected to the ice level arm by a connecting rod (Figure 2-42). As the linkage raises or lowers, the ice level arm raises or lowers.

1. To remove the icemaker, slide the connecting rod to the right, off of the icemaker shut-off arm, allowing the ice level arm to drop out of the way (Figure 2-42).
2. Remove the mounting screw at the bottom left of the icemaker which secures the icemaker bracket to the evaporator cover assembly.
3. Then extract the two mounting screws at the top rear, above the icemaker mold.
4. Pull the icemaker assy. forward and disconnect the electrical leads from the icemaker.

The carriage assy. rolls within the tracks of the slide. To remove, push the carriage in and remove the two front-most screws on each slide. Pull the carriage and slides out together (Figure 2-43).

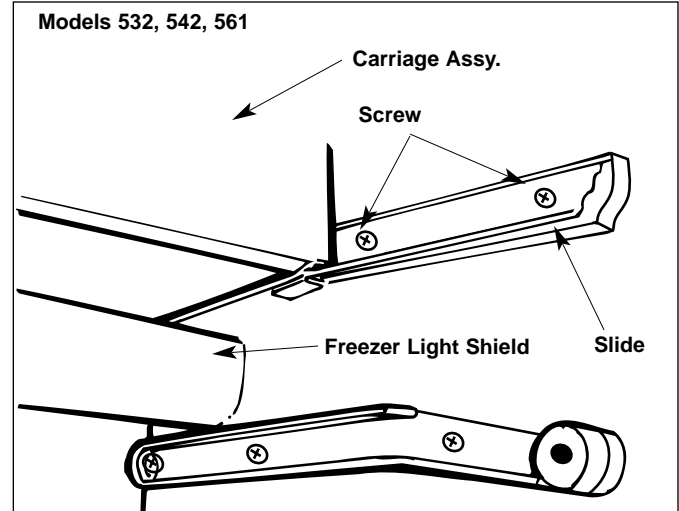


Figure 2-43. Carriage Slides

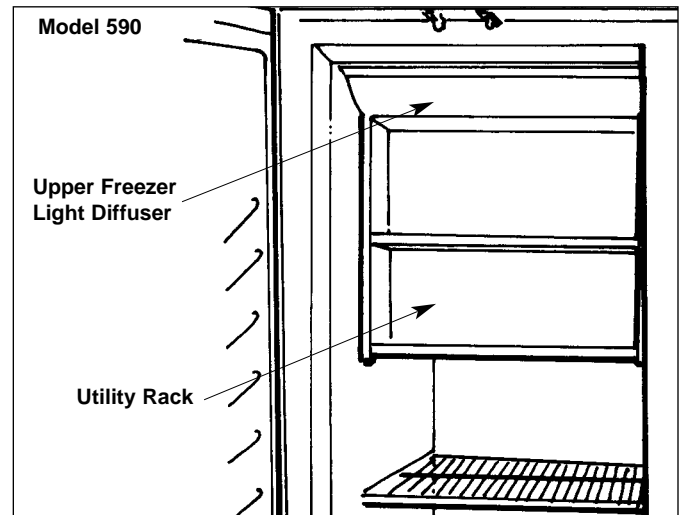


Figure 2-44. Upper Freezer Light Diffuser

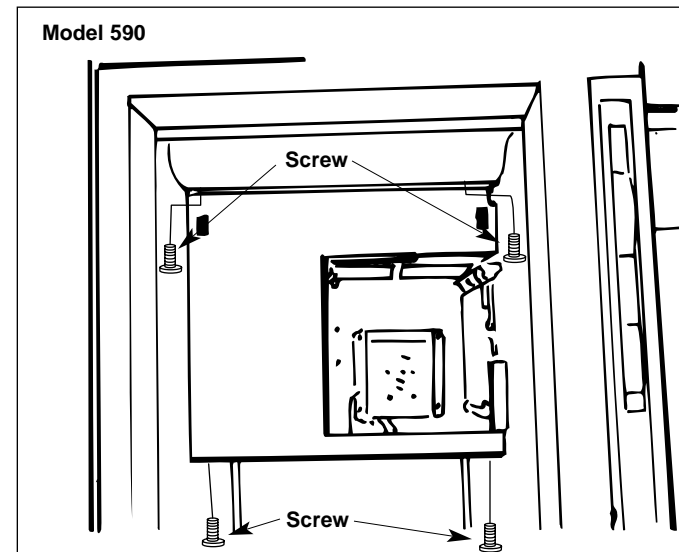


Figure 2-45. Evaporator Cover Removal

Ice Maker Assembly - Model 590

▲WARNING

Always disconnect electrical power to equipment before attempting repairs.

1. To access the ice maker, lift up and remove the freezer utility rack (Figure 2-44), then remove the top light diffuser. Remove the ice bucket.
2. Remove the front evaporator cover (Figure 2-45). It is secured with two screws on top and two screws on the bottom.
3. Remove rear air duct.
4. Remove the lower evaporator cover by pulling out the two snap pins (Figure 2-46).
5. Remove the bucket mainframe assy. by unscrewing three screws located on the freezer side wall along with the three screws located on the back wall (Figure 2-47).
6. Drop down the bucket mainframe assy. Detach the wiring harness and remove the ice maker.

NOTE: It is not necessary to drop the bucket mainframe assy. to replace the modular head.

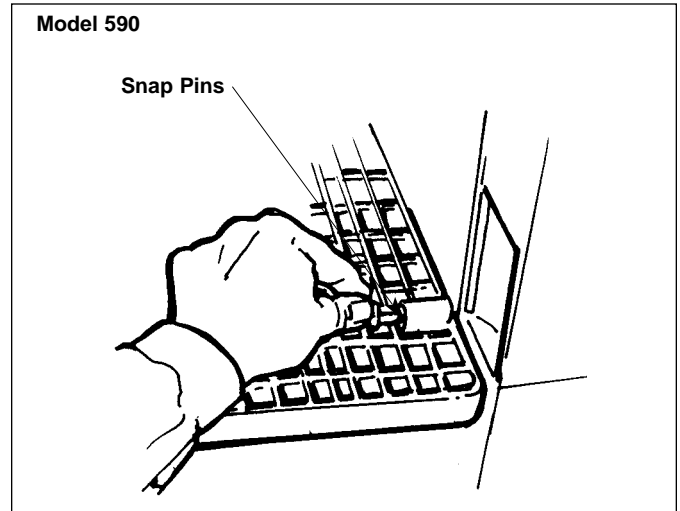


Figure 2-46. Lower Evaporator Cover

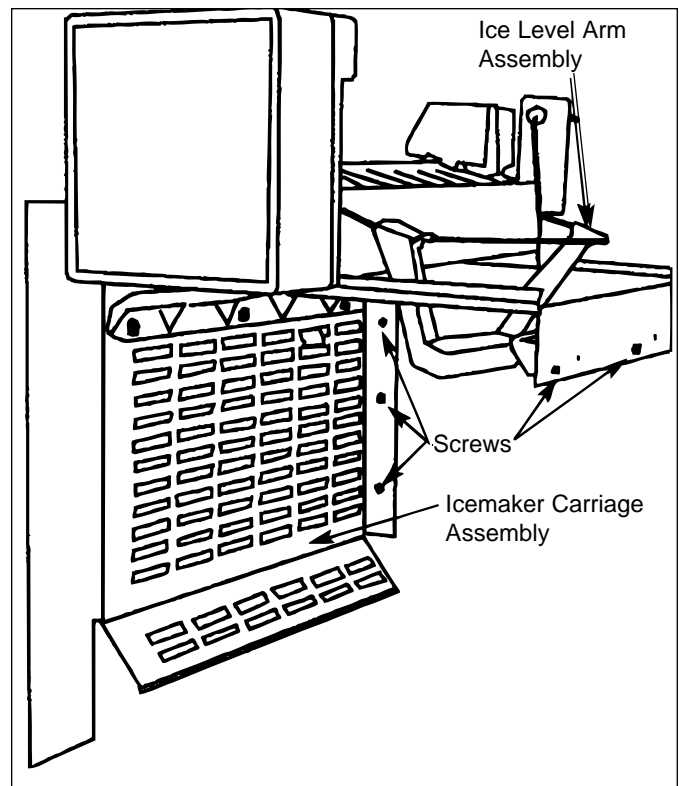


Figure 2-47. Lower Evaporator Cover

Ice Maker Auger Motor Assy. - Model 590

▲WARNING

Always disconnect electrical power to equipment before attempting repairs.

1. To access the ice auger motor, lift up and remove the freezer utility rack (Figure 2-44), then remove the top light diffuser. Remove the ice bucket.
2. Remove the front evaporator cover (Figure 2-45). It is secured with two screws on top and two screws on the bottom.
3. Remove the four screws and motor bracket (Figure 2-48).
4. Disconnect the motor leads and switch wiring harness (Figure 2-49).
5. To reassemble, reverse steps 1 - 4.

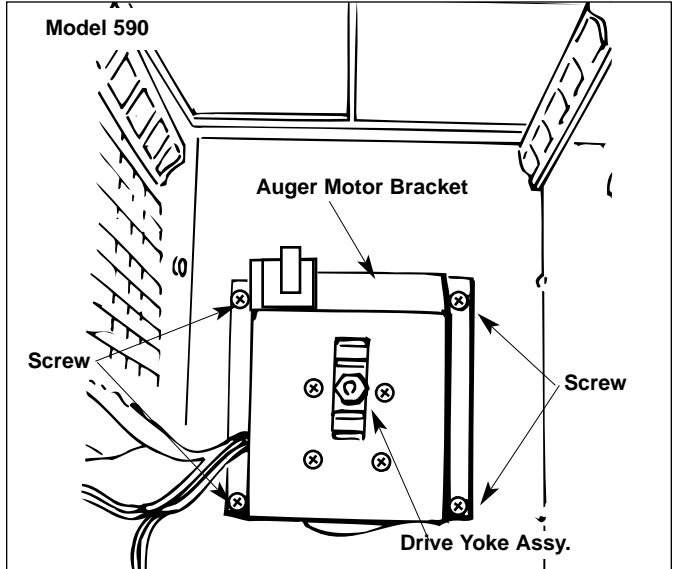


Figure 2-48. Auger Bracket

Water Valve Solenoid - Models 501F, 511, 532, 542, 550,561

The water valve is mounted to a bracket behind the kickplate at the left hand side (Figure 2-50).

▲WARNING

Always disconnect water to the unit and turn electrical power off at the master power switch before attempting repair.

1. To access and remove the water valve, first remove the kickplate.
2. Loosen the mounting screw which secures the valve retainer plate.
3. Push valve up and back.
4. Disconnect electrical leads and inlet and outlet water lines.

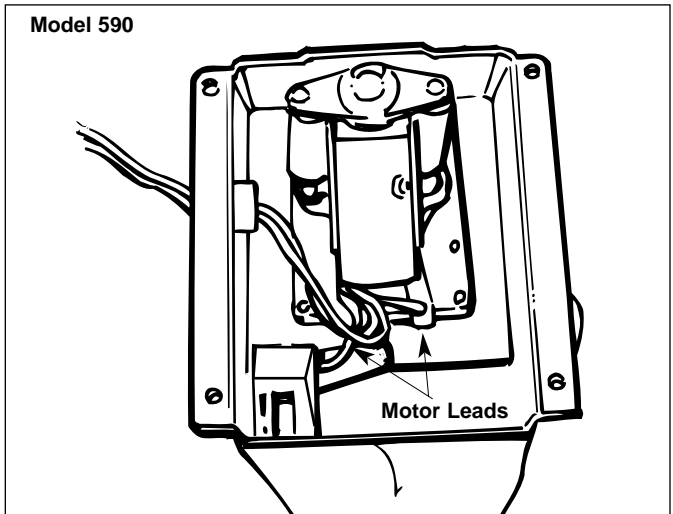


Figure 2-49. Auger Motor Assy.

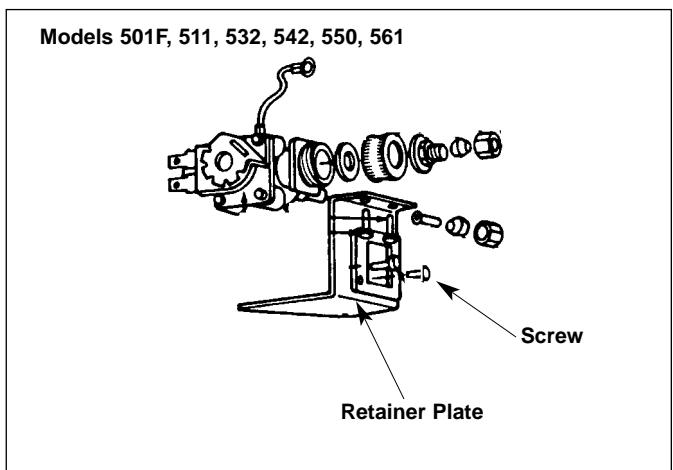


Figure 2-50. Water Valve Solenoid

Dual Water Valve Solenoid - Model 590

▲WARNING

Always disconnect water to the unit and turn electrical power off at the master power switch before attempting repair.

The dual water valve is located in the compressor area. The water supply connection is located underneath the unit (Figure 2-51). A copper water line from the supply connection is fed up the rear duct to the dual water valve.

Figures 2-52 & 2-53 illustrate the connections at the dual water before and after serial number 1259340.

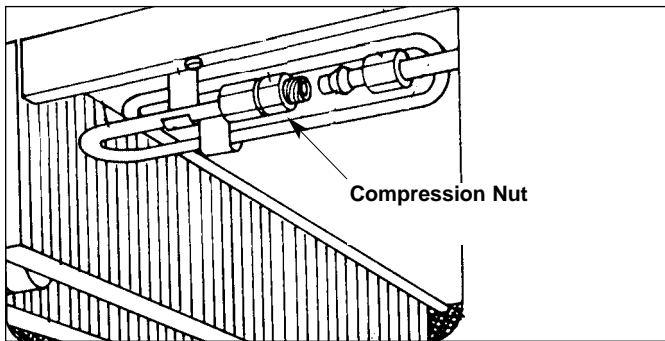


Figure 2-51. Water Supply Connection Location

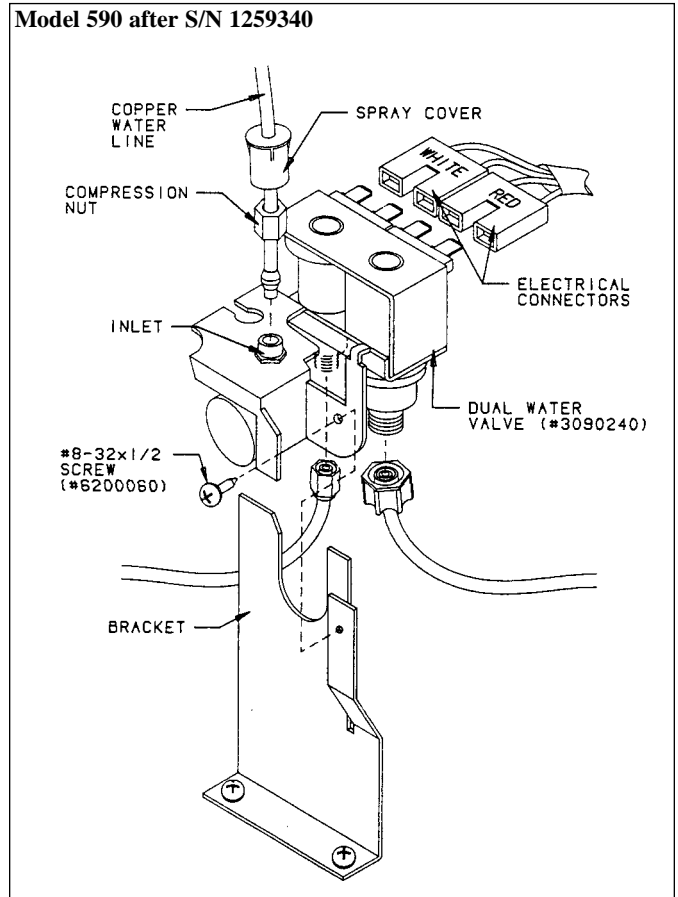


Figure 2-52. Water Valve Connection After S/N 1259340

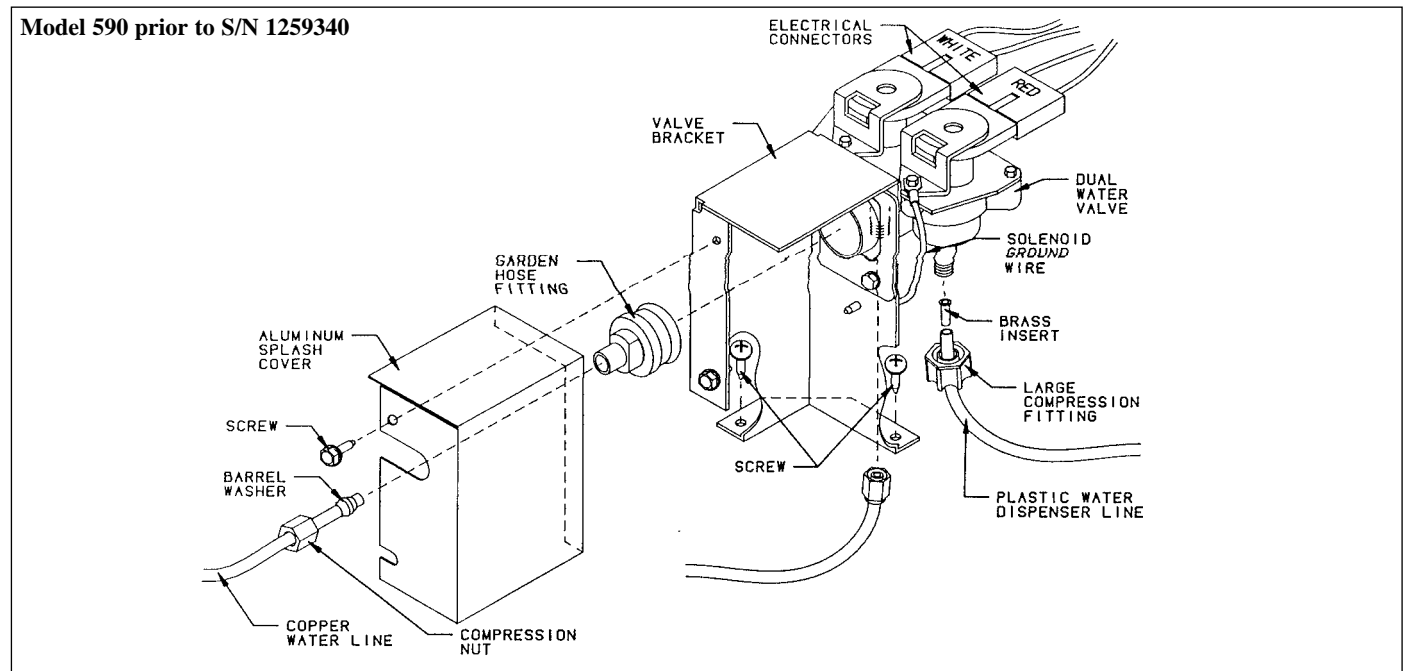


Figure 2-53. Water Valve Connection Prior to S/N 1259340

CONTROLS - MODELS 501R/501F

▲WARNING

Always disconnect electrical power to equipment before attempting repairs.

For access to the controls, use the following procedure:

1. Remove the overhead light shield by grasping the back edge of the shield and pulling forward to release, then drop the front edge out of the channel. (Figure 2-54).
2. Remove the two screws from the fan guard and lift out (Figure 2-55). Tilt the evaporator cover out at the top and lift off of the posts at the bottom.
3. The refrigerator control is mounted to the evaporator cover (Figure 2-56). Remove the control knob and two nuts. The control will pull off the mounting bracket.

NOTE: The Model 501F freezer control is mounted as an air sensing coil at back of the evaporator cover, above the evaporator (Figure 5-58).

NOTE: It is possible to reinstall the control 180° in the wrong position. Be sure the control readout is proper.

CONTROLS - MODELS 511, 550

▲WARNING

Always disconnect electrical power to equipment before attempting repairs.

For access to the controls, use the following procedure:

1. Remove the overhead light shield by grasping the back edge of the shield and pulling forward to release, then drop the front edge out of the channel. (Figure 2-54).
2. Remove the two screws from the fan guard and lift out (Figure 2-55). Tilt the evaporator cover out at the top and lift off of the posts at the bottom.

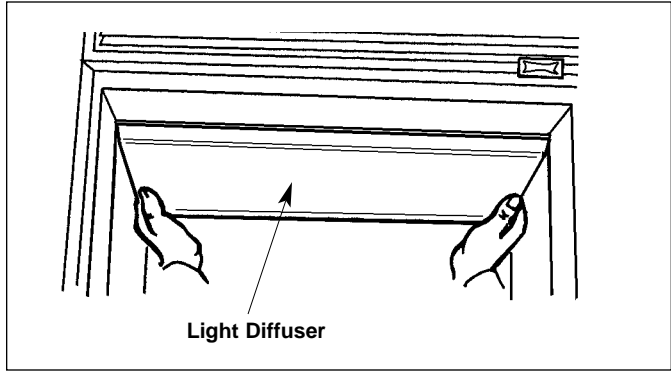


Figure 2-54. Light Diffuser

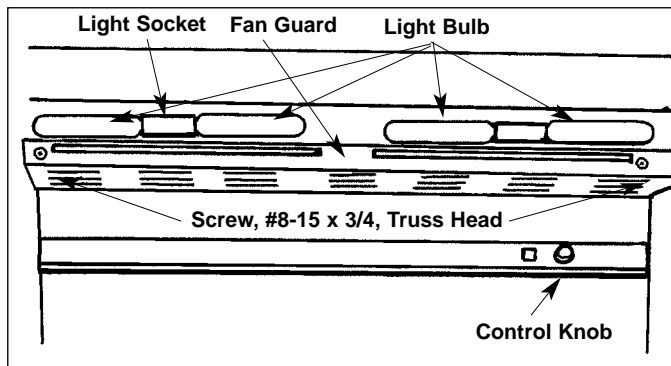


Figure 2-55. Fan Guard

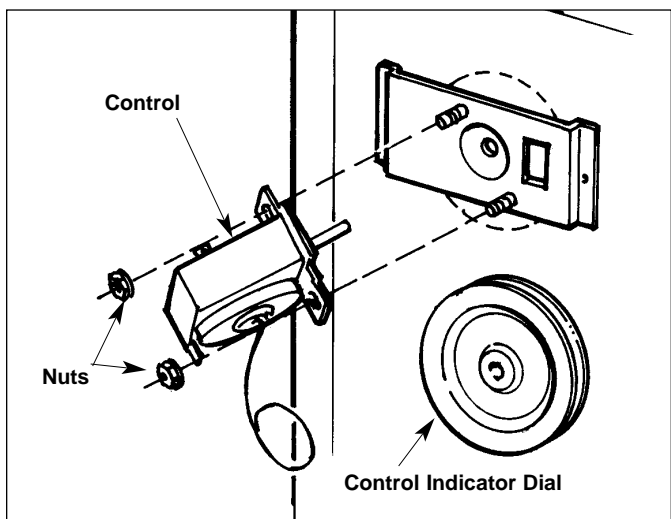


Figure 2-56. Control Assy.

3. The controls are mounted to the evaporator cover (Figure 2-56). Remove the control knobs and nuts. The controls will pull off the mounting bracket.

NOTE: It is possible to reinstall the control 180° in the wrong position. Be sure the control readout is proper.

4. **Refrigerator Control** - The cap tube of the refrigerator control is routed through a channel formed by the evaporator fins. Pull the control bulb from the channel (Figure 2-57).

When reinstalling the control, follow the instructions that are supplied with the replacement control.

5. **Freezer Control** -The freezer control cap tube is routed to the back of the freezer, through a plastic tube from the refrigerator to the freezer area (Figures 2-58 & 2-59). Straighten the control bulb and pull back through. When reinstalling, push the bulb through the tube, then coil the excess bulb at the outlet.

CONTROLS - MODELS 532, 542, 561

▲ WARNING

Always disconnect electrical power to equipment before attempting repairs.

Refrigerator Control

For access to the refrigerator control, use the following procedure:

1. Remove the overhead light shield by grasping the back edge of the shield and pulling forward to release, then drop the front edge out of the channel. (Figure 2-54).
2. Remove the two screws from the air diffuser and lift out (Figure 2-55). Tilt the evaporator cover out at the top and lift off of the posts at the bottom.
3. The refrigerator control is mounted to the evaporator cover (Figure 2-56). Remove the control knob and two nuts. The control will pull off the mounting bracket.

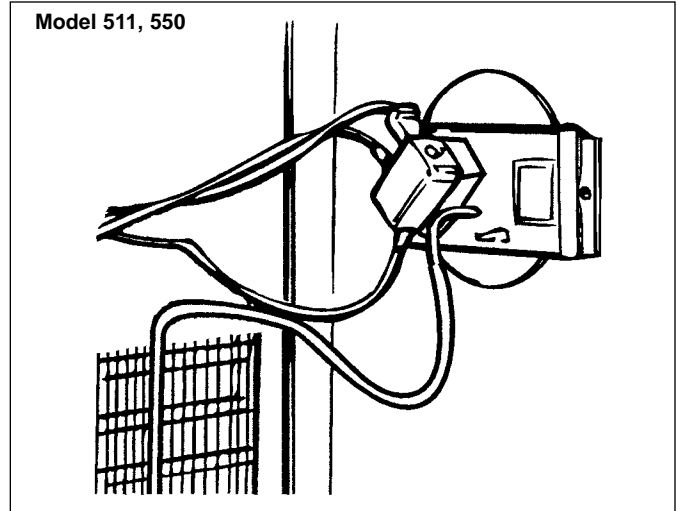


Figure 2-57. Refrigerator Control Routing

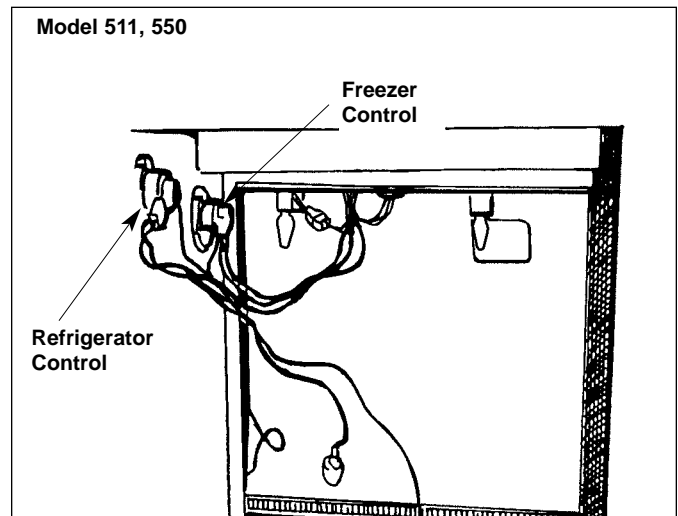


Figure 2-58. Controls Location and Routing

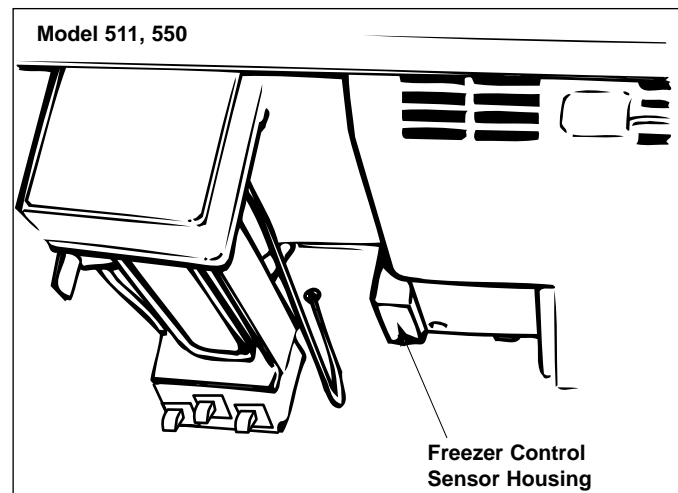


Figure 2-59. Freezer Control

NOTE: It is possible to reinstall the control 180° in the wrong position. Be sure the control readout is proper.

Freezer Control

1. Remove the mounting screws and remove the freezer control panel.

⚠ WARNING

Always disconnect electrical power before attempting repairs.

2. Disconnect the wiring block from the back of the panel and pull the panel out.
3. The freezer control and ice maker switch can be accessed from the back of the panel (Figure 2-60).

CONTROLS - MODEL 590

Refrigerator Control

1. Remove the water tank cover (Figure 2-61).
2. Remove the mounting screw located on the backside of the control panel, then remove the control assy.
3. Remove the three panel screws.
4. Remove the control dials, then remove the control (Figure 2-62 & 2-63) by unscrewing the mounting screws.

NOTE: Complete dual control instructions accompany replacement refrigerator control.

Freezer Control

1. Remove the water tank cover (Figure 2-61).
2. Remove the mounting screw located on the backside of the control panel, then remove the control assy.
3. Remove the three panel screws.
4. Remove the control dials (Figure 2-62 & 2-63), then remove the control by unscrewing the mounting screws.

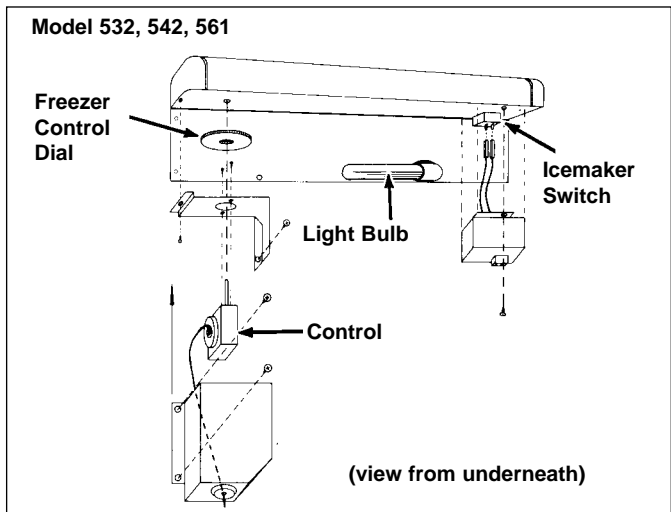


Figure 2-60. Freezer Control Area

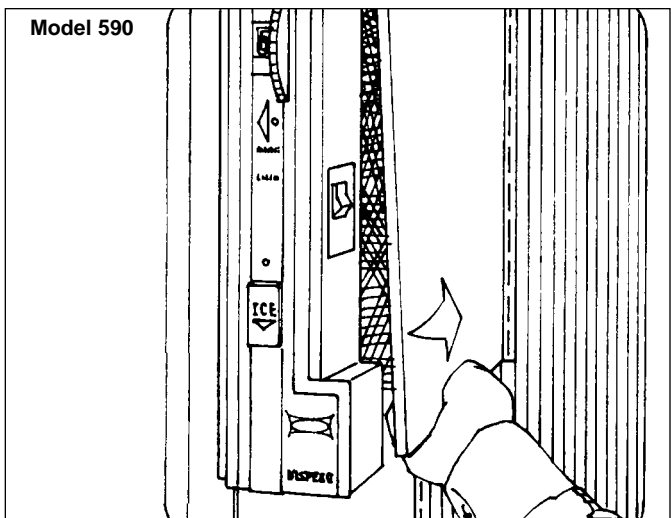


Figure 2-61. Water Tank Cover

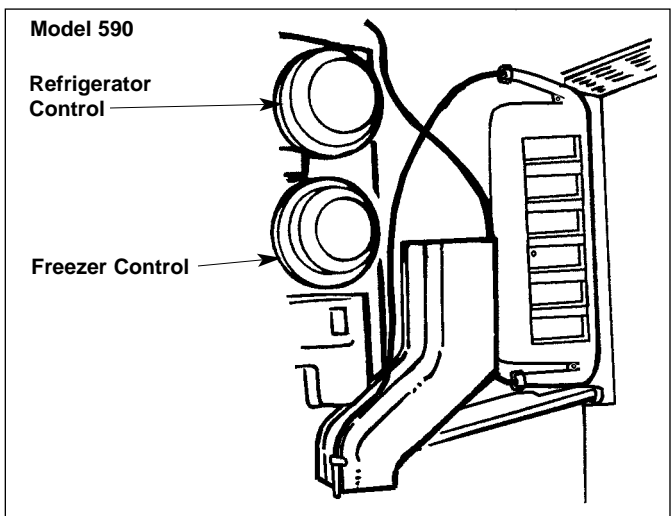


Figure 2-62. Water Tank

5. The freezer control bulb is inserted through a vinyl sleeve that leads to the freezer section.
6. When reinstalling, route the control bulb through a grommet to the freezer section, then downward into a plastic sleeve. The end of the control bulb should extend approximately 1" from the plastic sleeve (Figure 2-64).

Bulk Ice Switch - Model 590

1. Remove the water tank cover to access the bulk ice switch (Figure 2-63).
2. Remove the mounting screw located on the backside of the control panel, then remove the control assy.
3. Remove the three panel screws (Figure 2-63).
4. Remove the switch by pressing in the tabs securing the switch to the panel.

Ice Chute - Model 590

The ice chute is mounted to the center mullion wall (Figure 2-65). If there is a blockage in the chute, remove the water tank cover (Figure 2-61), then depress the two tabs so the front portion of the chute can be removed.

Water Tank Reservoir - Model 590

The water tank reservoir is held in place with three screws (Figure 2-63). The inlet tube at the bottom draws water in from the water valve, the outlet tube at the top carries the water to the dispensing unit.

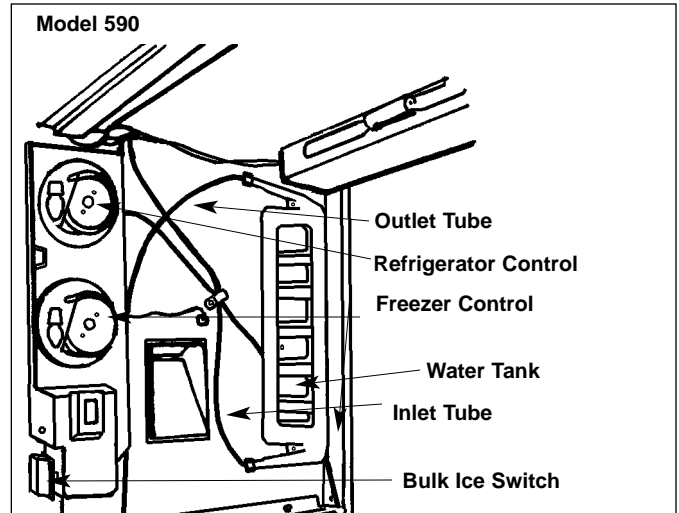


Figure 2-63. Control Panel

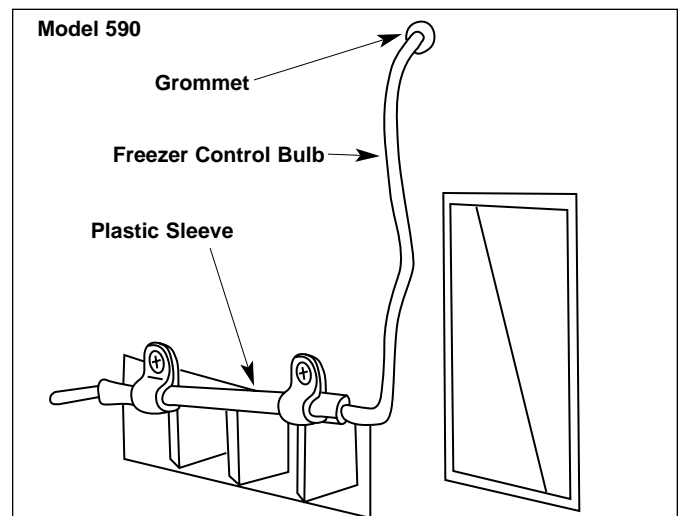


Figure 2-64. Freezer Bulb Routing

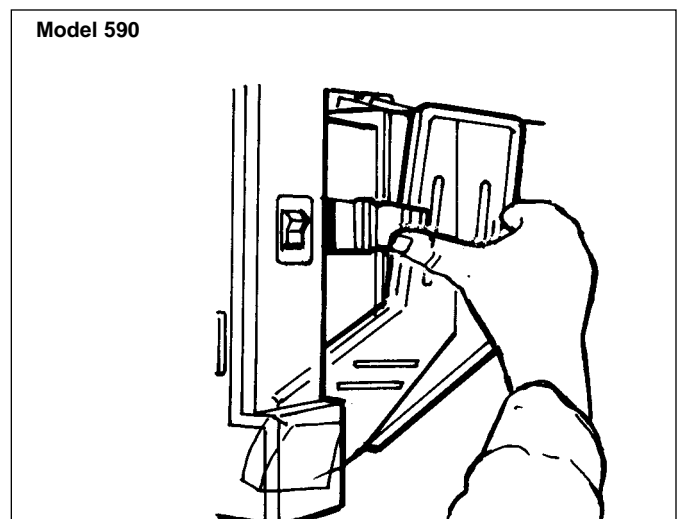


Figure 2-65. Ice Chute

**EVAPORATOR ASSEMBLY
MODEL 501F**

⚠ WARNING

Always disconnect electrical power to equipment before attempting repairs.

⚠ WARNING

Evaporator coils are sharp and easy to bend; they are also very cold.

The larger finned tubes allow for efficient operation by drawing in the cabinet air and circulating it through this full width evaporator.

The design incorporates an eight pass defrost heater assy. along with a defrost drain tube heater (Figure 2-66). The defrost drain water is caught by the V-shaped drain trough. Because of the the colder temperatures, a drain trough heater keeps the area warm during the defrost cycle only.

REFRIGERATOR EVAPORATOR ASSEMBLY - ALL MODELS

⚠ WARNING

Always disconnect electrical power at the master switch before attempting repairs.

⚠ WARNING

Evaporator coils are sharp and easy to bend; they are also very cold.

The larger fin tube design of the evaporator allows for a warmer coil operating temperature. Warmer operating temperatures provide advantages in inside humidity, compressor capacity and control “coil sensing” capabilities (Figure 2-67).

This evaporator coil incorporates an off-cycle defrost. Once the system is pulled down and the control is satisfied, the unit is shut down. The unit will remain off until the 39° F cut-in temperature is reached at the control.

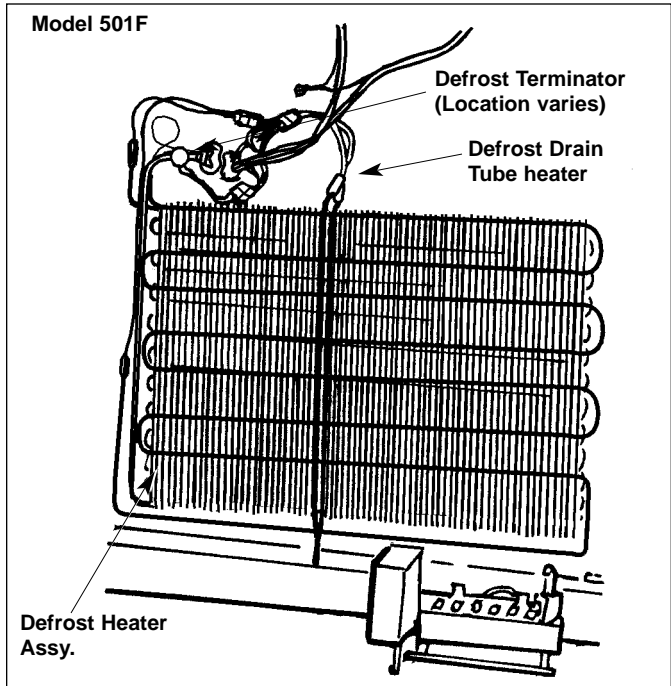


Figure 2-66. Evaporator Assy.

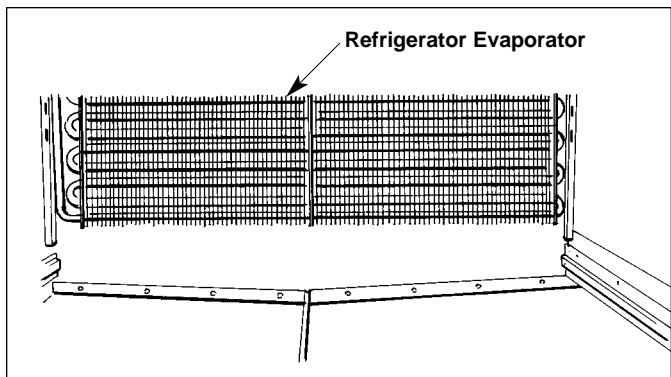


Figure 2-67. Refrigerator Evaporator Assy

LIGHT TERMINATOR

To prevent damage to plastic parts by lights overheating, a thermal switch is incorporated into the light system wiring. This design was incorporated starting with the following serial numbers:

Model	Serial Number
501R	M723972 / P725922
501F	M724222 / P726372
511	M753523
550	M722972 / P721572
532	M722572 / P725022
542	Regardless of Serial Number
561	M726672 & P725322
590	Regardless

The thermal switch specifications are:

Opens: 120°F+/-6°F

Closes: 85°F+/-7°F

On units equipped with the thermal switch, the lights will go off if the door is left open for extended periods (20-25 minutes). To reset the thermal switch, close the door for approximately 20 minutes. The light should then come back on when the door is opened. If it does not, the thermal switch may be faulty.

Before replacing the switch, check the mounting of the switch on the fan guard. It may be necessary to add a 1/8" stainless steel washer between the switch and the guard to prevent the bi-metal in the fuse from compressing (and opening) when the door is opened again.

NOTE: The thermal switch cannot be retrofitted to units built prior to the serial numbers listed above. The entire fan shroud assembly must be replaced.

See Figures 2-68 & 2-69 for thermal switch location.

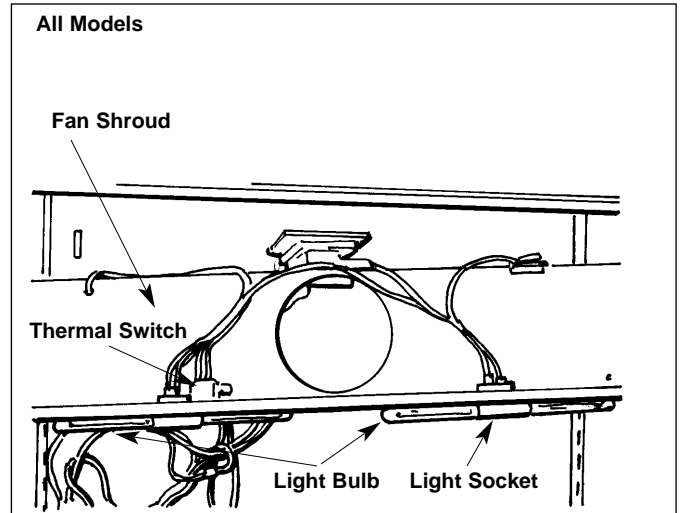


Figure 2-68. Thermal Switch-Refrigerator

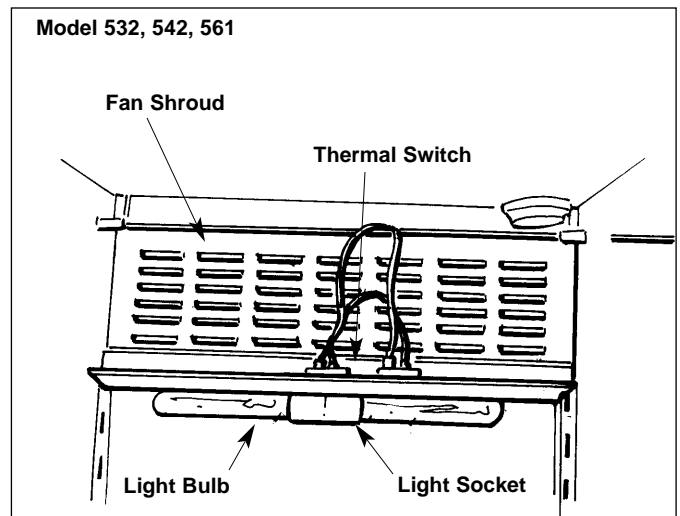


Figure 2-69. Thermal Switch-Freezer

UNIT ROLLER BASE ASSEMBLY

- 501R After S/N M834654/P835904
- 501F After S/N M834904/P836154
- 511 After S/N M830454
- 532 After S/N M824754/P827404
- 550 After S/N 824354/832954
- 561 After S/N 825954/P823654
- 590 Regardless of Serial Number

▲ CAUTION

Floor should be protected with appropriate material to avoid damage from very heavy appliance when this unit is moved.

When the front leveling legs screwed all the way up into the base assy., the unit can be rolled in or out of its installation.

Use the adjustment bolt (located in front of the base assy.) to level the rear of the unit (Figure 2-70).

Turn the adjusting bolt clockwise to raise the back of the unit; turn counterclockwise to lower the back of the unit.

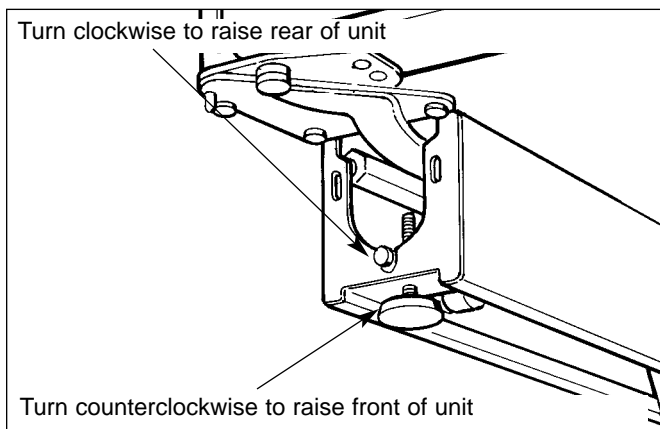


Figure 2-70. Roller Base Assy.


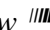
SECTION 3

AIR FLOW

&

FAN BLADE SPACING

AIR FLOW & FAN BLADE SPACING

NOTE: In all the following air flow illustrations the white arrow  signifies Pushed Air, while the shaded arrow  signifies Returned Air.

Air Flow - Model 501R (Figure 3-1)

The air movement travels up the back channel and across the evaporator coil.

The cold air then discharges at the top of the cabinet and is pulled downward in all directions

around the glass storage shelves, maintaining even shelf storage temperatures.

MADISON PRODUCTION PRIOR TO S/N 821353

The evaporator fan motor runs all the time once the door is closed, unless altered during field service repair.

PHOENIX & MADISON PRODUCTION AFTER S/N 821353

The evaporator motor cycles on and off with the compressor.

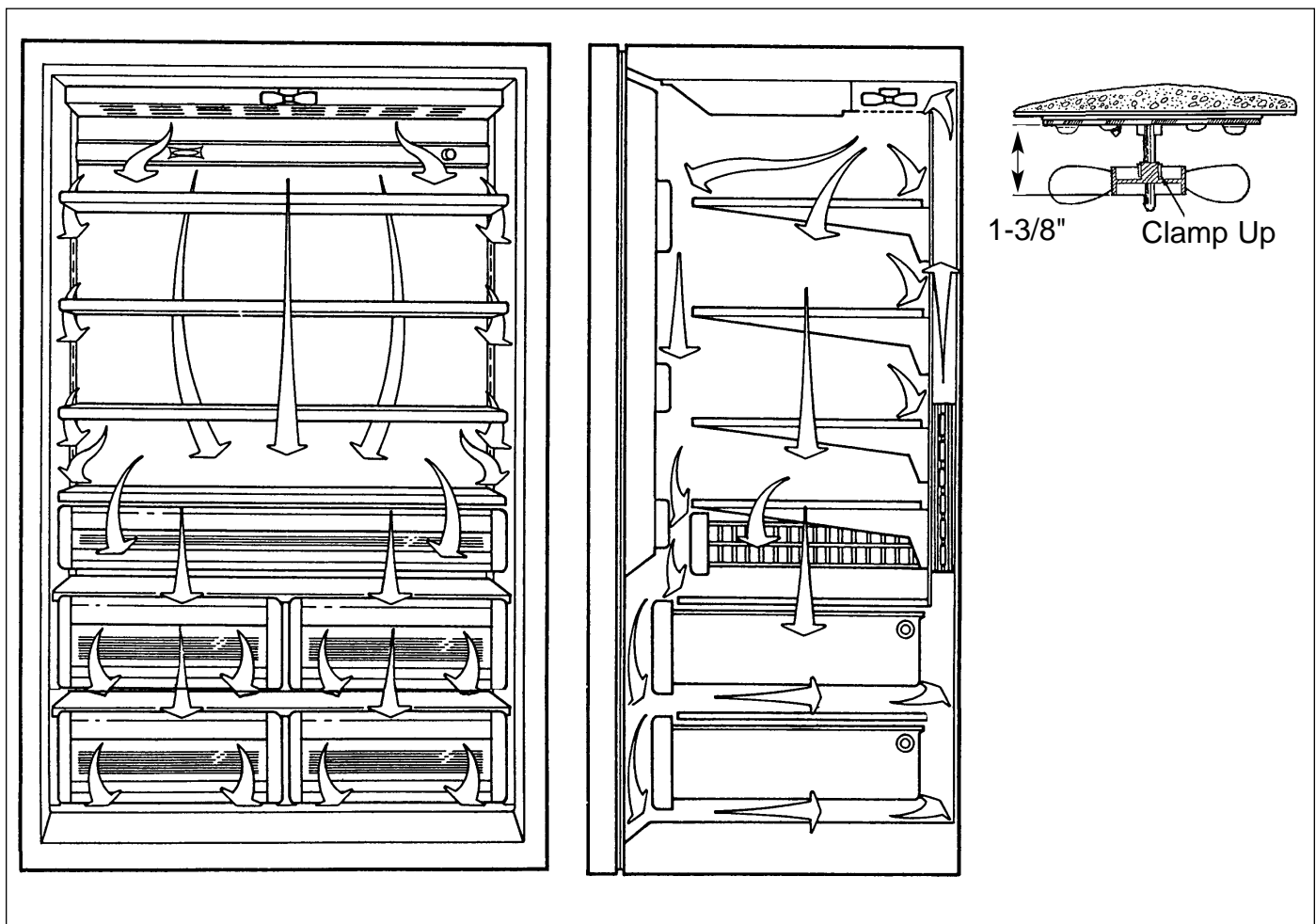


Figure 3-1. Air Flow - Model 501R

Air Flow - Model 501F (Figure 3-2)

The cold air travels up the back channel and across the evaporator coil.

The cold air then discharges at the top of the cabinet and is pulled downward in all directions around the storage shelves, maintaining even shelf storage temperatures.

NOTE: Figure 3-2 shows air flow for units manufactured after S/N M663116/P679466 with black fan blade, part no. 3-15-045-0. Units built prior to these serial numbers use a white fan blade, part no. 3-15-006-0, and the air flow is opposite than that shown. Starting with S/N M/P1004775, fan blade is grey, part no. 3150520.

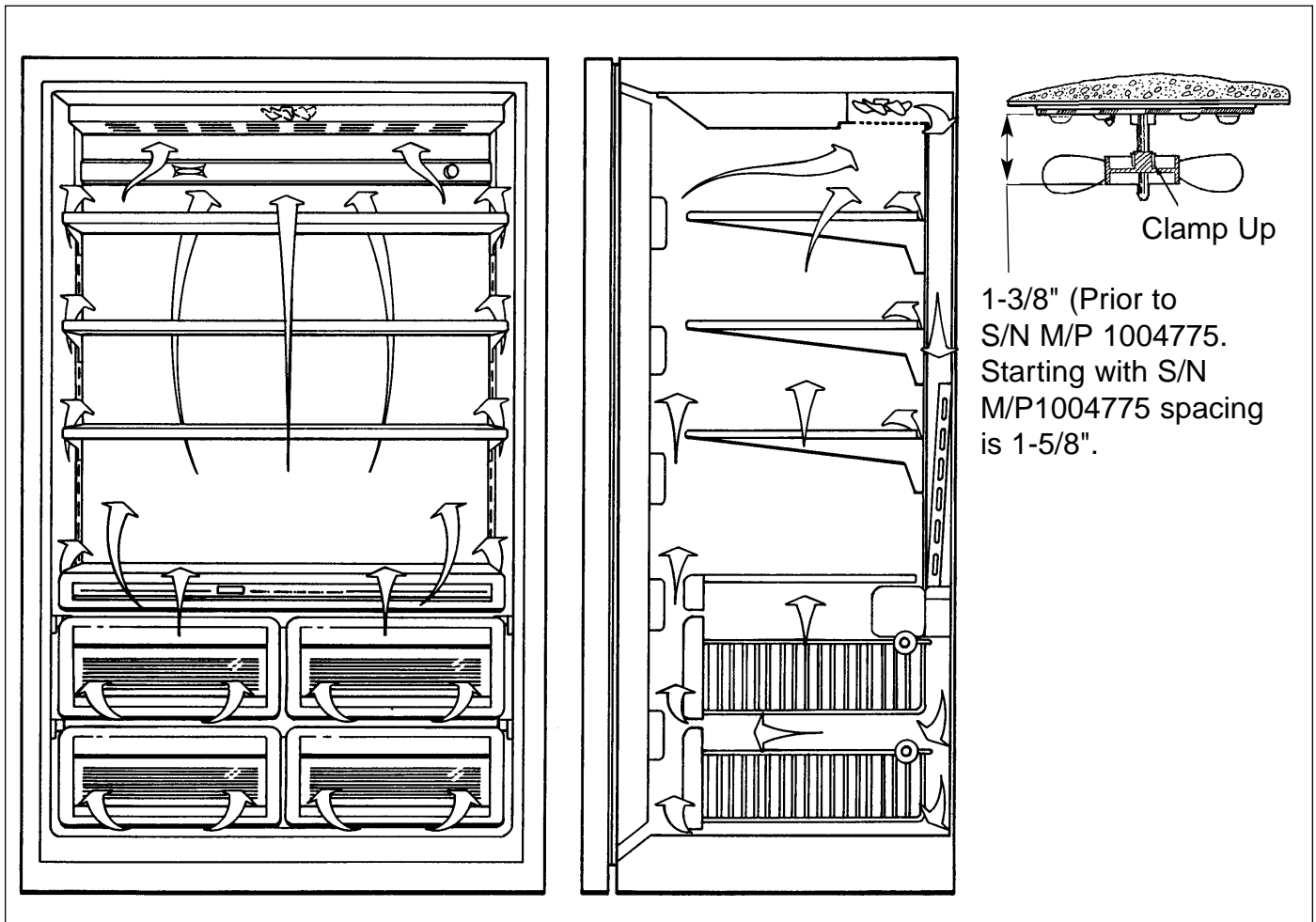


Figure 3-2. Air Flow - Model 501F

**Refrigerator Air Flow - Models 511, 550
(Figure 3-3)**

The cold air travels up the back channel and across the evaporator coil. The cool air then discharges out the diffuser area and is pulled downward in all directions around the glass storage shelves, maintaining even shelf storage temperatures.

MODEL 511

The refrigerator evaporator fan motor cycles with the refrigerator compressor.

MODEL 550

On Madison production prior to S/N M820553 the refrigerator evaporator fan motor runs all the time once the door is closed unless altered during field service repair.

On Phoenix and Madison production after S/N 820554, the refrigerator evaporator fan motor cycles with the compressor.

**Freezer Air Flow - Models 511, 550
(Figure 3-4)**

The cabinet air is drawn through the evaporator cover and across the coil. The duct directs the air to the ice maker and down the back.

**Refrigerator Air Flow - Models 532, 542, 561
(Figure 3-5)**

The air travels up the back channel and across the evaporator coil. The cool air then discharges out of the diffuser area and is pulled downward in all directions across the glass storage shelves, maintaining even shelf storage temperatures.

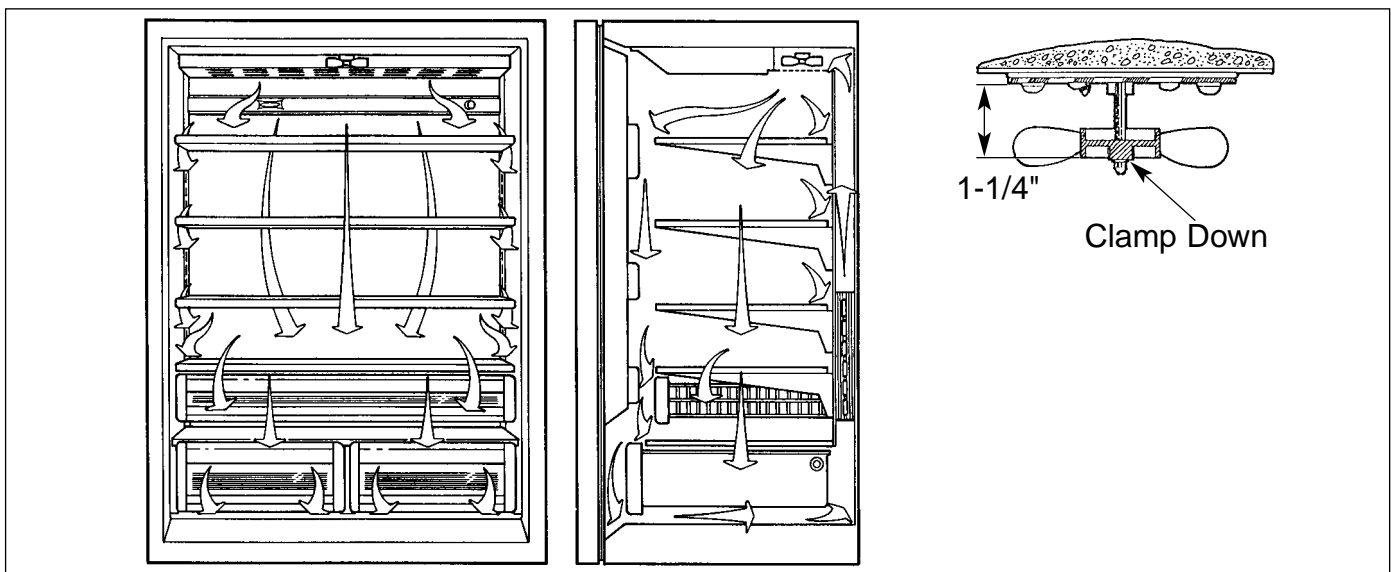


Figure 3-3. Refrigerator Air Flow - Model 511, 550

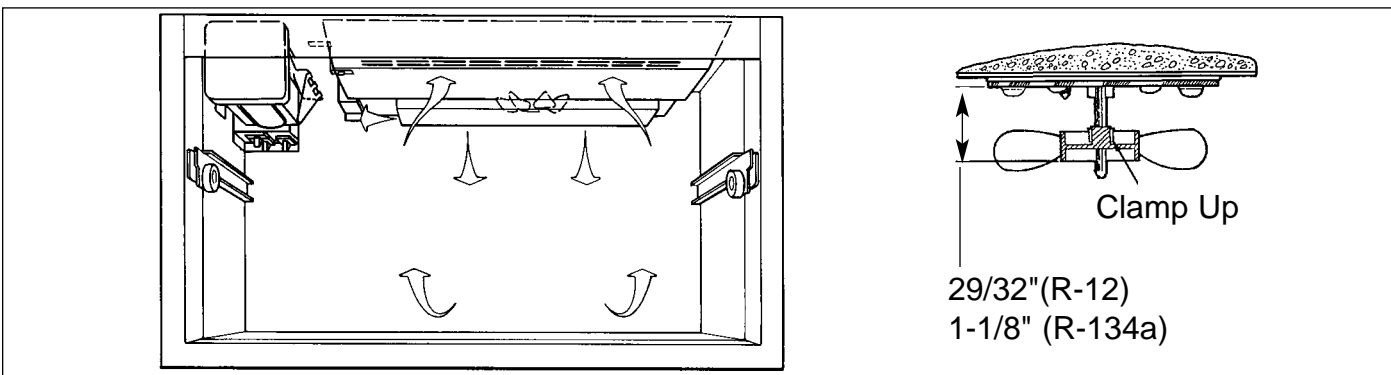


Figure 3-4. Freezer Air Flow - Model 511, 550

MODEL 532

Starting with S/N P629065, units are equipped with a white fan blade, part no. 3-15-021-0. Prior to this serial number, units were equipped with a gray fan blade. However, the white fan blade should be used as a service replacement if the unit experiences temperature problems.

On Madison production prior to S/N M815563 the refrigerator fan motor runs all the time once the door is closed unless altered during field service repair.

On Phoenix and Madison production after S/N 815564, the refrigerator fan motor cycles on and off with the refrigerator control.

MODEL 542

The refrigerator evaporator fan motor cycles with the compressor

MODEL 561

On Madison production prior to S/N M816263 the refrigerator fan motor runs all the time once the

door is closed unless altered during field service repair.

On Phoenix and Madison production after S/N 816264, the refrigerator fan motor cycles on and off with the refrigerator control.

Freezer Air Flow - Models 532, 542, 561 (Figure 3-6)

The cabinet air is drawn in by the fan motor across the evaporator and then is forced in two directions.

In one direction, the air is forced up the back channel of the freezer and through the freezer duct assembly. The air diffuser distributes the air evenly throughout the top of the freezer section.

In the other direction, the air is forced into the bottom of the freezer. The heavy cold air cascades down through the freezer baskets. The fan motor pulls the air up and across the freezer control and ice maker, returning to the evaporator coil.

The freezer control senses this return air and shuts down the compressor and fan motor when the set temperature is reached.

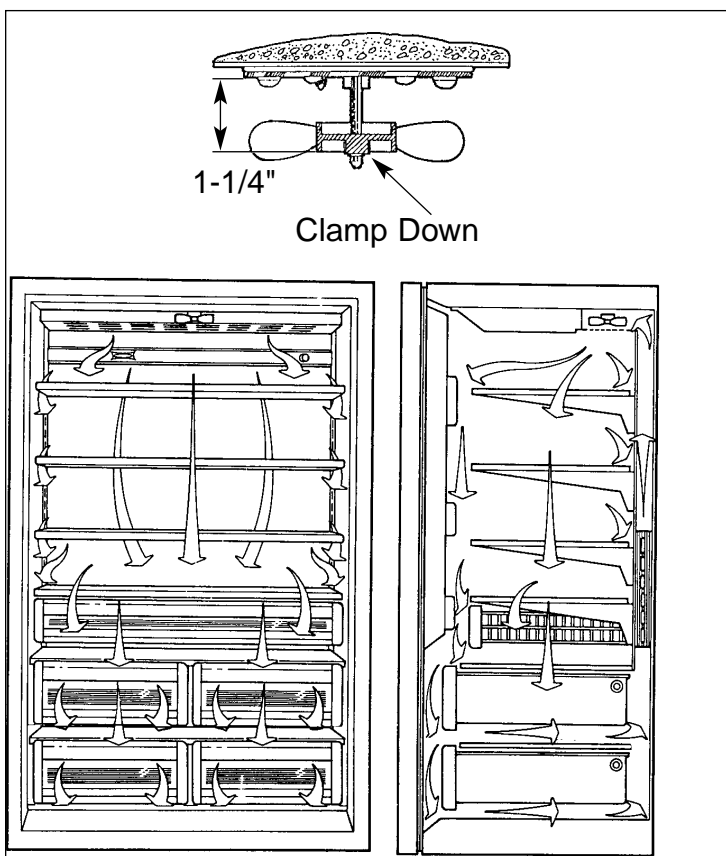


Figure 3-5. Refrigerator Air Flow - Models 532, 542, 561

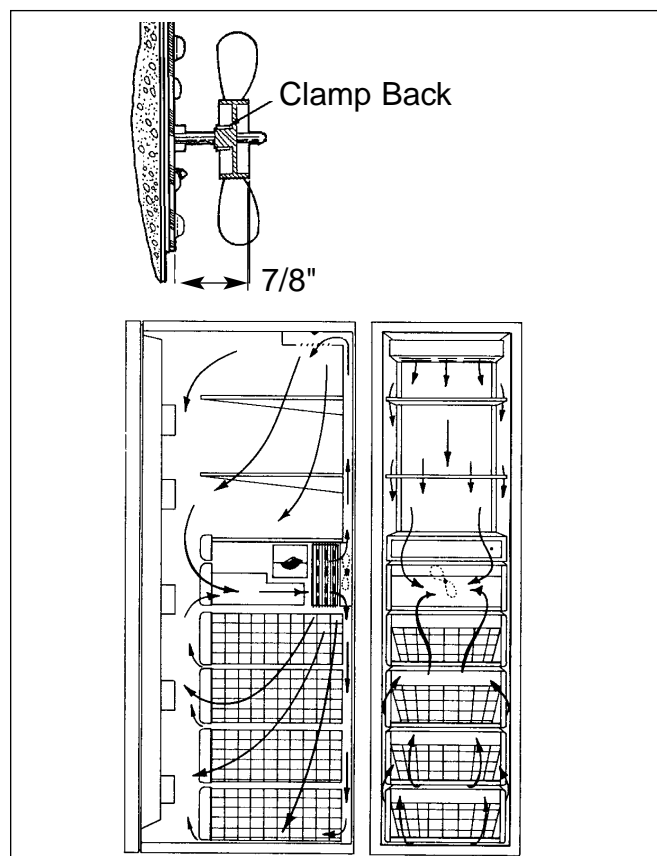


Figure 3-6. Freezer Air Flow - Models 532, 542, 561

Refrigerator Air Flow - Model 590 (Figure 3-7)

The air travels up the back channel and across the evaporator coil.

The cool air discharges out of the diffuser area and is pulled downward in all directions around the glass storage shelves, maintaining even shelf storage temperatures.

The refrigerator evaporator fan motor cycles with the refrigerator compressor.

Freezer Air Flow - Model 590 (Figure 3-8)

The cabinet air is drawn in by the fan motor assy. across the evaporator and then forced downward.

The majority of the air is forced through an air duct located along the back wall into the bottom of the freezer. The remaining air flow cascades down through the freezer baskets. The fan motor pulls the air up and across the freezer control ice maker returning to the evaporator coil.

***NOTE:** On units manufactured prior to S/N M862414, if warmer temperatures are experienced in the freezer basket areas, install Freezer Air Duct Kit, part no. 4-20-099-0.*

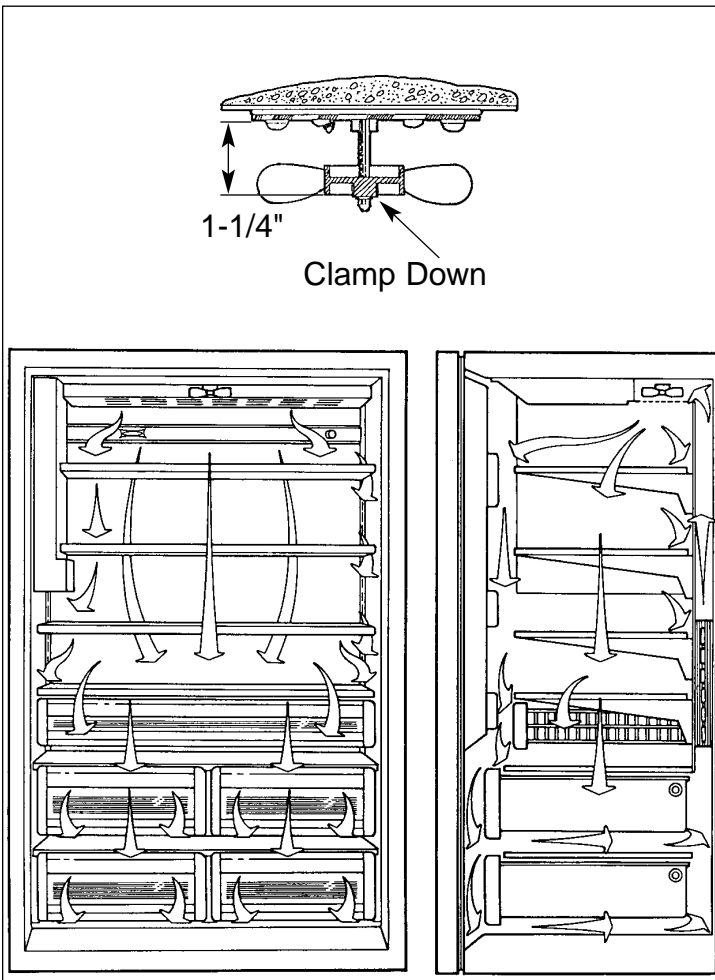


Figure 3-7. Refrigerator Air Flow - Model 590

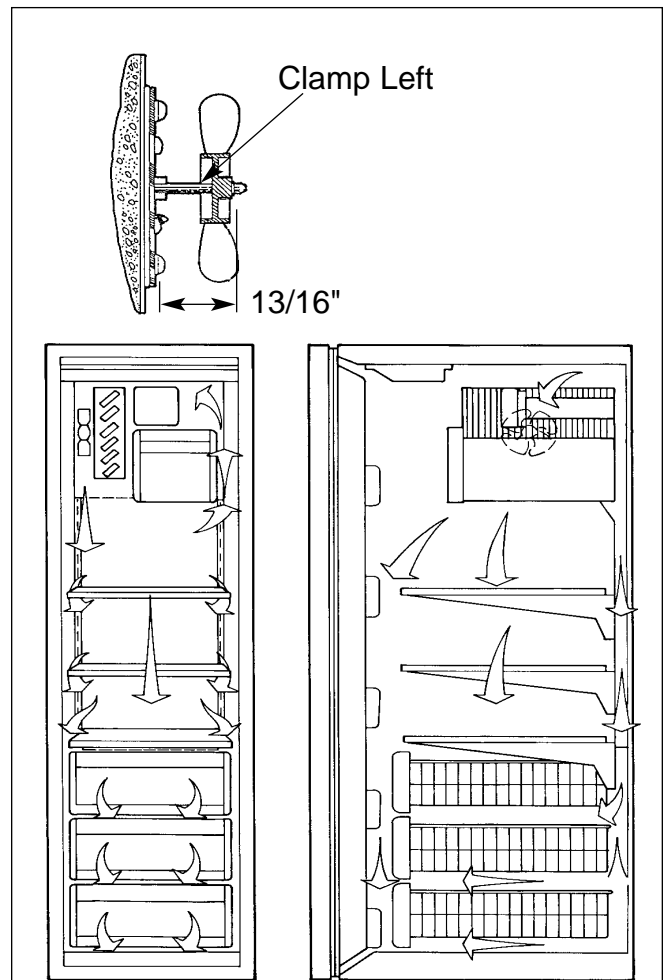


Figure 3-8. Freezer Air Flow - Model 590

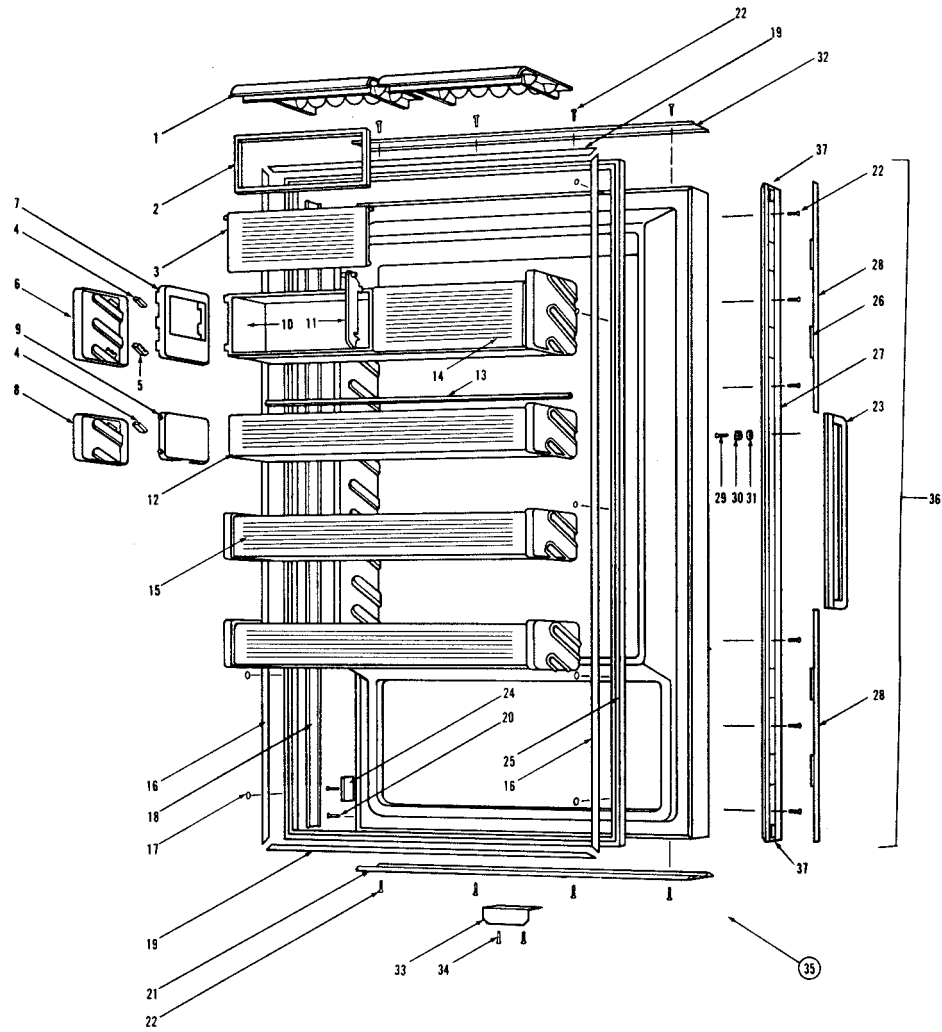
SECTION 4

EXPLODED VIEWS & PARTS LISTS

501R DOOR VIEW

Ref.	Part No.	Description	Ref.	Part No.	Description
1	3410980	Egg Tray	22	6200720	Screw, #8-18 x 1/2 PH Truss HD
2	3210710	Dairy Door Seal	23	NLA	See EH501
3	3515600	Dairy Door	24	3450460	Door Trim Clip
4	3550440	Door Shelf Retainer	25	3211140	Door Gasket
5	3550490	Dairy Compartment Retainer	26	3450450	Molding Magnet - 3"
6	3600851	Dairy Compartment Outer End Cap, RS	27	2225801	Door Trim, Handle Side (45° Miter - For D-Style Handle)
	3600852	Dairy Compartment Outer End Cap, LS		2225803	Door Trim, Handle Side (Valanced - For D-Style Handle)
7	3600891	Dairy Compartment Inner End Cap, RS	28	4131030	D-Style Handle Molding Assembly (For Mitered Trim)
	3600892	Dairy Compartment Inner End Cap, LS		4131170	D-Style Handle Molding Assembly (For Valanced Trim)
8	3600751	Door Shelf Outer End Cap, RS	29	6200780	Screw, #10-24 x 1/2" PH Hex Washer
	3600752	Door Shelf Outer End Cap, LS			
9	3600761	Door Shelf Inner End Cap, RS	30	6240020	Star Washer, 3/16"
	3600762	Door Shelf Inner End Cap, LS	31	6240240	Flat Washer, 1/4"
10	3600860	Dairy Compartment	32	2225408	Door Trim, Top RH/Bottom LH, 45° Miter on Handle Side
11	3421060	Dairy Compartment Center Divider		2225409	Door Trim, Top LH/Bottom RH, 45° Miter on Handle Side
12	3600970	Door Shelf		2225402	Door Trim, Top RH/Bottom LH (Valanced Handle)
13	3510710	Door Shelf Support		2225403	Door Trim, Top LH/Bottom RH (Valanced Handle)
14	4330300	Dairy Compartment Assembly			
15	4330250	Door Shelf Assembly	33	0180281	Switch Depressor, White
16	3420250	Gasket Retainer, Side, 57.875"	34	6200020	Screw, #7-16 x 1/2" Pan HD
17	6200410	Screw, #8 x 1/2" Slot Head Hex	35	4131121	Door Assembly, Ref; RH
18	2225301	Door Trim, Hinge Side		4131122	Door Assembly, Ref; LH
19	3420220	Gasket Retainer, 33.312"	36	NLA	See EH501
20	6180040	Pop Rivet, 3/16x1/8 Grip		NLA	See EH501
21	2225408	Door Trim, Top RH/Bottom LH, 45° Miter on Handle Side	37	4200760	Door Trim Components for D-Style Valanced Handle
	2225409	Door Trim, Top LH/Bottom RH, 45° Miter on Handle Side		4200690	D-Style Handle End Cap Replacement Components
	2225402	Door Trim, Top RH/Bottom LH (Valanced Handle)			
	2225403	Door Trim, Top LH/Bottom RH (Valanced Handle)			

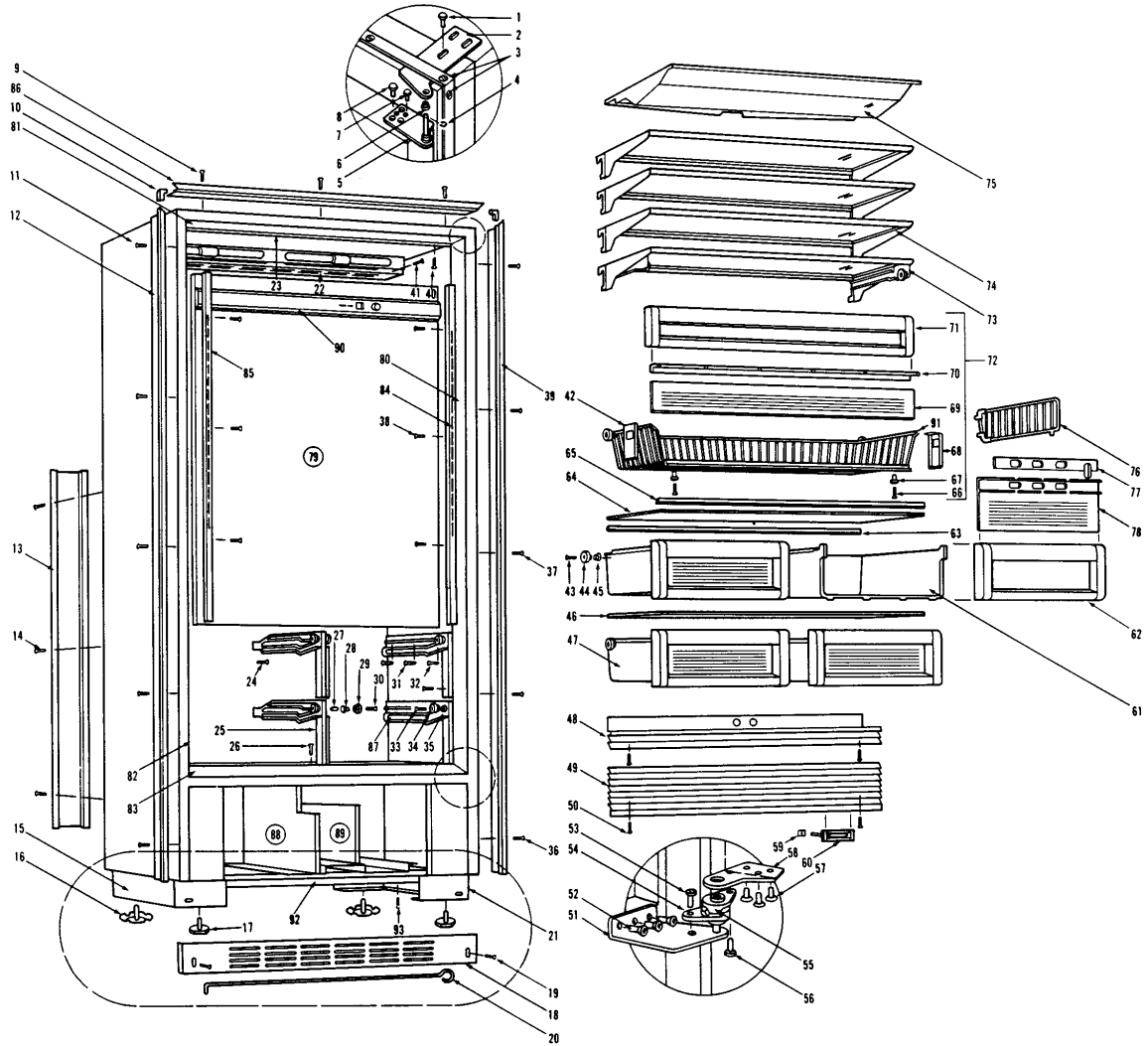
501R DOOR VIEW



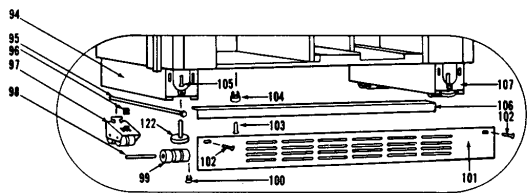
501R COSMETIC VIEW

Ref.	Part No.	Description	Ref.	Part No.	Description
1	6110070	Bolt, 1/4-20x3/4 Spinlock Zinc	68	3411001	Refrigerator Roll-Out Basket Retainer, RH
2	0182560	Cabinet Hinge, Top	69	3500280	Refrigerator Roll-Out Basket Glass
3	6200070	Screw, #4-24 x 3/8" Flat HD	70	3600920	Refrigerator Roll-Out Basket Glass Retainer
4	3450270	E-Ring / Retaining Ring	71	3410890	Refrigerator Roll-Out Basket Front
5	4150771	Door Hinge, Top; RH	72	4180850	Basket Assembly, Ref Roll-out
	4150772	Door Hinge, Top; LH	73	4180790	Shelf Assembly, Ref Roll-out Basket
6	3420070	Hinge Bearing	74	NLA	Refrigerator Shelf Glass - See 4180760
7	6200210	Screw, #8-32 x 1/2" Flat Head		4180760	Glass Shelf Assembly
8	6110010	Bolt, #10-24 x 1/2" Flat Head UC	75	4200840	Light Diffuser/Fan Shroud Replacement Components
9	6200010	Screw, #10-12 x 3/4" Pan HD			
10	2210701	Main Frame Angle	76	3411160	Ref Roll-Out Bskt Divider
11	6200210	Screw, #8-32 x 1/2" Flat Head	77	3411052	Vent Slide
12	2225611	Left Side Main Frame, RH Dr Swing	78	3411042	Crisper Drawer Glass
	2225612	Left Side Main Frame, LH Dr Swing	79	0200720	Cold Plate Cover / Evaporator Cover
13	0165380	Back Cover	80	1807300	Breaker Strip, 6' Length - NOTE: Must be cut to length
14	6200230	Screw, #8-18 x 1/2" Hex Head	81	1807300	Breaker Strip, 6' Length - NOTE: Must be cut to length
15	4110022	Left Base Assembly			
16	3570020	Rear Leveling Leg, #18-3/8 x 1-1/2"	82	1807300	Breaker Strip, 6' Length - NOTE: Must be cut to length
17	3570050	Leveling Leg, #18-3/8 x 1"			
18	0164770	Kickplate, 3.44 x 35.5	83	1807300	Breaker Strip, 6' Length - NOTE: Must be cut to length
19	6200050	Screw, #10-12 x 1/2" Pan HD			
20	3570030	Leveling Rod, 26-3/4"	84	3601091	Cabinet Shelf Ladder, RS
21	4110021	Right Base Assembly	85	3601092	Cabinet Shelf Ladder, LS
22	0211680	Refrigerator Fan Guard	86	2225618	Top Main Frame, RH Dr Swing
23	0211380	Refrigerator Light Diffuser Retainer		2225619	Top Main Frame, LH Dr Swing
24	6200140	Screw, #8-15 x 3/8" Truss Head	87	3410941	Crisper Slide, RS
25	3410960	Center Crisper Slide		3410942	Crisper Slide, LS
	4180940	Crisper Slide Assy; Center		4180931	Crisper Slide Assembly, RS
26	3550460	White Caplug		4180932	Crisper Slide Assembly, LS
27	3550450	Hex Insert	88	4280510	Condenser Fan Shroud Assembly
28	3430080	Roller Bushing	89	4280200	Compressor Shroud Assembly
29	3421100	Crisper Roller; Narrow	90	3012600	Control Panel - NOTE: Also order three 6230530.
30	6200740	Screw, #10-32 x 11/16" PH Flat HD UC			
31	6200450	Screw, #8 x 1" Type AR Flat	91	4180850	Basket Assembly, Ref Roll-out
32	6200450	Screw, #8 x 1" Type AR Flat	92	0165410	Kickplate Support
33	6200730	Screw, #10-16 x 3/4" PH Flat HD UC	93	6200010	Screw, #10-12 x 3/4" Pan HD
34	3421110	Crisper Roller	94	4110333	Base Assembly (w/rollers)
35	3430080	Roller Bushing	95	6110520	Adjusting Screw
36	6200210	Screw, #8-32 x 1/2" Flat Head	96	6150670	J-Nut, #10-24
37	6200210	Screw, #8-32 x 1/2" Flat Head	97	4110331	Base Rear Roller Assy
38	6200710	Screw, #8-18 x 3/8" Fillister HD	98	3550560	Straight Pin, Base Assy - .312" x 2.88"
39	2225604	Right Side Main Frame, RH Dr Swing	99	3421240	Cabinet Roller (3 per side)
	2225605	Right Side Main Frame, LH Dr Swing	100	3450620	Canoe Clip
40	6200140	Screw, #8-15 x 3/8" Truss HD	101	0166150	Kickplate, Vented
41	6200130	Screw, #8-18 x 3/4" Truss HD		4200871	Kickplate, Solid
42	3411002	Refrigerator Roll-Out Basket Retainer, LH	102	6200050	Screw, #10-12 x 1/2" Pan HD
43	6200730	Screw, #10-16 x 3/4" PH Flat HD UC	103	6200010	Screw, #10-12 x 3/4" Pan HD
44	3421110	Crisper Roller	104	6220050	Screw Grommet, 1/2" x 5/8"
45	3430080	Roller Bushing	105	6200010	Screw, #10-12 x 3/4" Pan HD
46	4151090	Crisper Tray Assembly	106	0166070	Kickplate Support
47	4180910	Crisper Drawer Assembly	107	4110333	Base Assembly (w/rollers) - Right or Left
48	2226201	Grille Top, RH Dr Swing	108	6110010	Bolt, #10-24 x 1/2" Flat Head UC
	2226202	Grille Top, LH Dr Swing	109	6200210	Screw, #8-32 x 1/2" Flat Head
49	4240500	Louvered Grille	110	3450570	Door Closer Cushion
50	6200790	Screw, #8-18 x 1/2" Black	111	3421310	Door Closer Guide
51	4151141	Cabinet Hinge, Bot; RH	112	0165970	Door Closer Guide Support
	4151142	Cabinet Hinge, Bot; LH	113	4151231	Cabinet Hinge Assembly, Bot; RH
52	6110010	Bolt, #10-24 x 1/2" Flat Head UC		4151232	Cabinet Hinge Assembly, Bot; LH
53	6110270	olt, #10-32 x 1/4" RD HD	114	4201113	Door Closer Assembly, RH
54	3420681	Bottom Cabinet Hinge Cam, RH		4201114	Door Closer Assembly, LH
	3420682	Bottom Cabinet Hinge Cam, LH	115	3421260	Door Closer Bearing
55	3420690	Bottom Door Hinge Cam (RH & LH)	116	3450550	E-Ring / Klipring, 5/16"
56	6110270	Bolt, #10-32 x 1/4" RD HD	117	6110070	Bolt, 1/4-20x3/4 Spinlock Zinc
57	6110010	Bolt, #10-24 x 1/2" Flat Head UC	118	3421270	Hinge Bearing, 3/8" x 5/8"
58	0182381	Door Hinge, Bottom; RH	119	4151241	Door Hinge, Bot; RH
	0182382	Door Hinge, Bottom; LH		4151242	Door Hinge, Bot; LH
59	6150140	Spring Grip Nut, 1/8"	120	6160220	Steel Spacer
60	3580110	Name Plate	121	DS90	Door Stop-90 Degree
61	3411022	Crisper Drawer		DS105	Door Stop-105 Degree
62	3411032	Crisper Front	122	3570050	Leveling Leg, #18-3/8 x 1"
63	1301900	Rear Crisper Seal	123	0183140	Cabinet Hinge Stiffener
64	4151060	Crisper Glass Assembly	124	6110450	Bolt, 1/4-20 x 1/2" Whiz Lock
65	2301601	Front Crisper Glass Seal			
66	6200700	Screw, #6-20 x 5/8" PH Flat HD SS			
67	6220320	Screw Grommet			

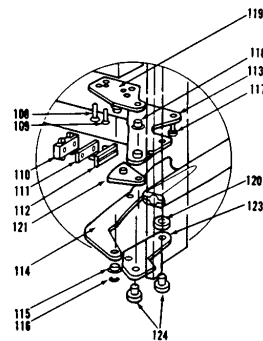
501R COSMETIC VIEW



Use prior to Serial No. M834653/P835903



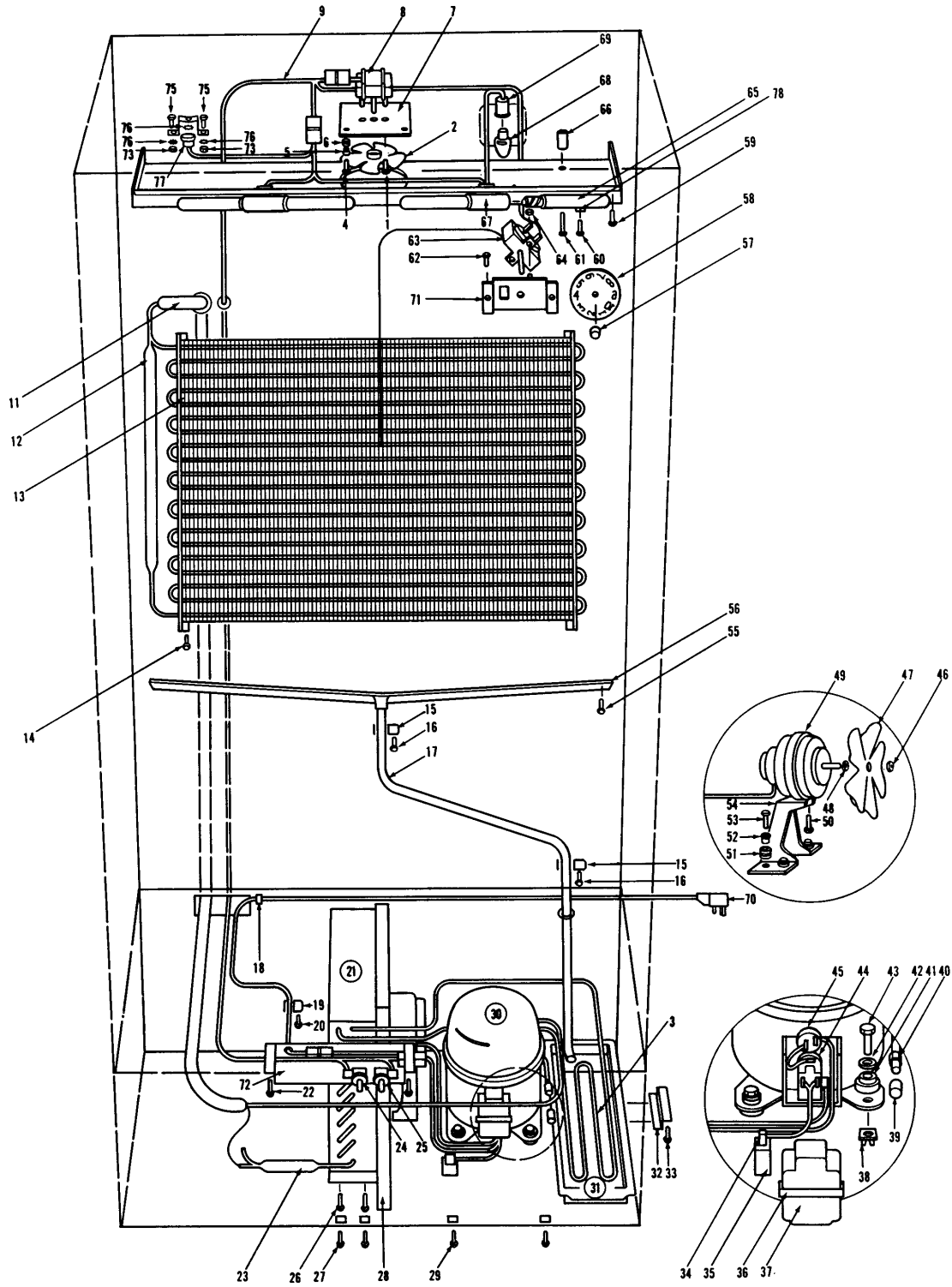
Use after Serial No. M834654/P835904



501R SEALED SYSTEM VIEW

Ref.	Part No.	Description	Ref.	Part No.	Description
1	6110270	Bolt, #10-32 x 1/4" RD HD	40	3090010	Compressor Base Valve - Fits on 5/16 " OD Tubing
2	3150450	Fan Blade, Evap, Blk, 5 prop, 5 1/2"	41	3150010	Rubber Grommet, Small, 5/8"
3	2604153	Condensate Heater Loop		3150170	Rubber Grommet, Large, 15/16"
4	6200130	Screw, #8-18 x 3/4" Truss HD	42	6240050	Flat Washer, 5/16"
5	3520120	Brass Insert, Fan Bracket	43	6200300	Screw, 5/16-18 x 1-1/2 Hex
6	3220250	Grommet, 3/16" x 7/16" x 9/32"	44	****	Relay
7	0211620	Refrigerator Fan Bracket	45	****	Overload
8	4200720	Evaporator Fan Motor Replacement Components	46	6150410	Nut, 1/4-20
9	4322270	Cabinet Wiring Harness-Madison	47	3150320	Fan Blade, Cond, 5 prop, 7"
	4322410	Cabinet Wiring Harness-Phoenix	48	3210340	Neoprene Silencer, 7/8"
10	4160520	Fan Shroud Assembly	49	4200740	Condenser Fan Motor Replacement Components
11	4251000	Heat Exchanger	50	6200490	Screw, #8-32 x 3/8" Slotted Hex T25
12	3011140	Accumulator	51	3220160	Grommet, 3/16" x 7/16" x 9/32"
13	3130240	Evaporator Coil	52	3520120	Brass Insert, Fan Bracket
14	6200140	Screw, #8-15 x 3/8" Truss HD	53	6200430	Screw, #8-18 x 1/2" PH Type-B Pan Head
15	6120050	Tube Clamp; Plastic, 5/8"	54	2801603	Fan Bracket, Cond
16	6200140	Screw, #8-15 x 3/8" Truss HD	55	6200140	Screw, #8-15 x 3/8" Truss HD
17	1601400	Drain Tube, Wire - 1/2" x 72"	56	4190150	Drain Trough Assembly
18	3220140	Strain Relief Bushing	57	3012560	Control Knob
19	6120050	Tube Clamp; Plastic, 5/8"	58	3012810	Control Indicator
20	6200010	Screw, #10-12 x 3/4" Pan HD	59	6200140	Screw, #8-15 x 3/8" Truss HD
21	3120230	Condenser	60	6200130	Screw, #8-18 x 3/4" Truss HD
22	6200020	Screw, #7-16 x 1/2" Pan HD	61	6200090	Screw, #8-15 x 1-3/4" Truss HD
23	3014230	Filter-Drier, High Side	62	6180010	Pop Rivet, 1/8"
24	3060020	Fan Switch, Normally Open	63	4201260	Control, Refrig
25	3060030	Light Switch, Normally Closed	64	6150320	Nut-Pal, #8-32
26	6110020	Bolt, #10-24 x 3/8" Truss HD	65	3030040	Light Bulb, Long/Narrow; 40 Watt
27	6110020	Bolt, #10-24 x 3/8" Truss HD	66	6220340	Screw Grommet / Stand-off
28	4280510	Condenser Fan Shroud Assembly	67	3050020	Light Socket, 3/4 Double
29	6110020	Bolt, #10-24 x 3/8" Truss HD	68	3030070	Light Bulb, 7W
30	4201670	Service Replacement Compressor	69	3050070	Light Socket
31	0164970	Drain Pan, Plastic	70	4321820	Power Cord
	2604153	Condensate Heater Loop	71	4151040	Control Bracket Assembly
32	0165010	Drain Pan Support	72	0163600	Switch Housing
33	6200010	Screw, #10-12 x 3/4" Pan HD	73	6150160	Nut, #8-32 Hex
34	4322280	Compressor Wiring Harness	75	6110050	Bolt, #8-32 x 3/8" Truss HD
35	****	Running Capacitor	76	6240020	Star Washer, 3/16"
36	****	Compressor Cap Strap	77	4200850	Light Terminator Kit
37	****	Compressor Cap			
38	1801000	Nylon Compressor Mount			
39	NLA	Valve Cap - See 3090010; 3090100; 3090210; 3090220			

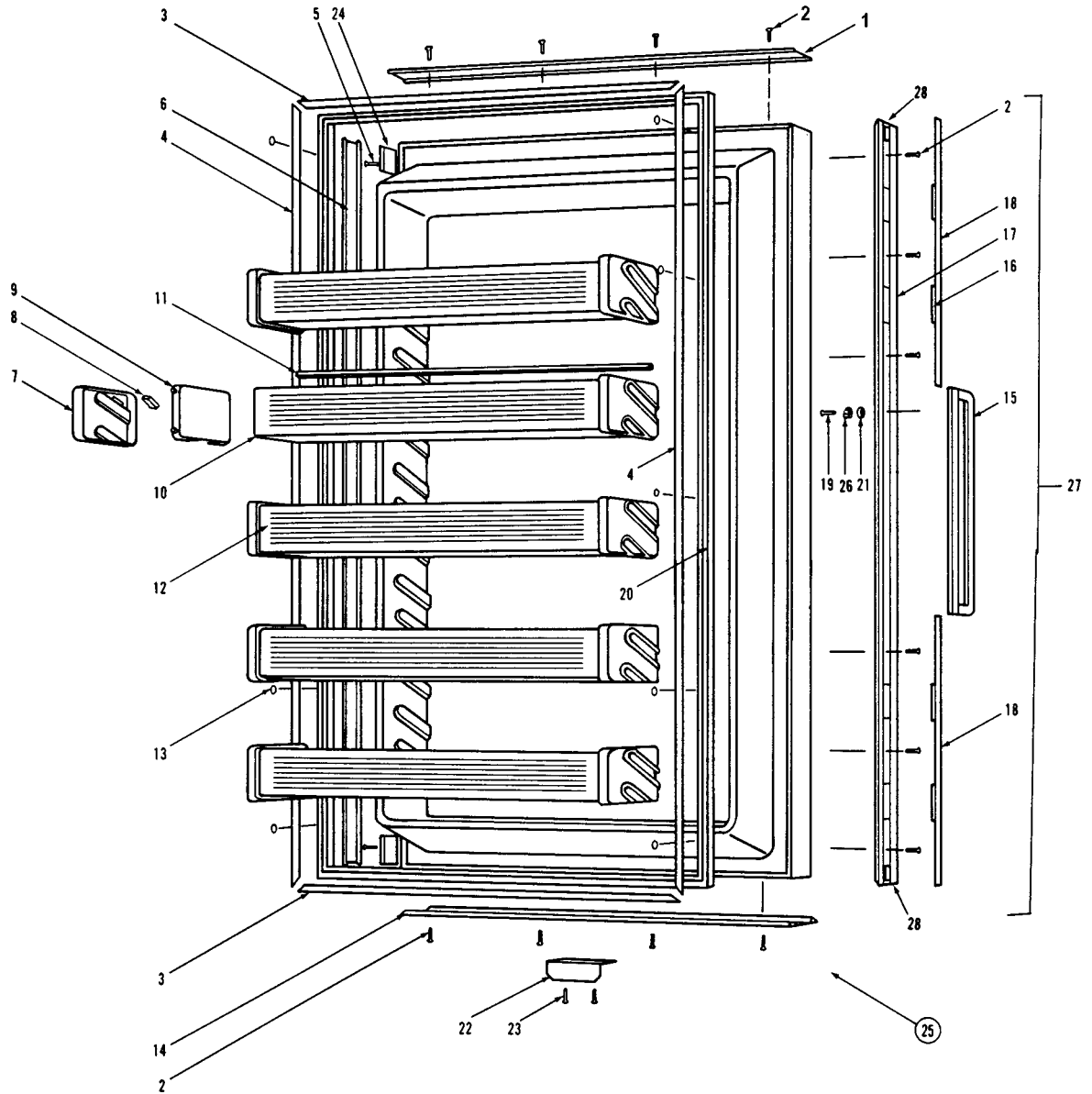
501R SEALED SYSTEM VIEW



501F DOOR VIEW

Ref.	Part No.	Description	Ref.	Part No.	Description
1	2225408	Door Trim, Top RH/Bottom LH, 45° Miter on Handle Side	15	NLA	See EH501
	2225409	Door Trim, Top LH/Bottom RH, 45° Miter on Handle Side	16	3450450	Molding Magnet - 3"
	2225402	Door Trim, Top RH/Bottom LH (Valanced Handle)	17	2225801	Door Trim, Handle Side (45° Miter - For D-Style Handle)
	2225403	Door Trim, Top LH/Bottom RH (Valanced Handle)		2225803	Door Trim, Handle Side (Valanced - For D-Style Handle)
2	6200720	Screw, #8-18 x 1/2 PH Truss HD	18	4131030	D-Style Handle Molding Assembly (For Mitered Trim)
3	3420220	Gasket Retainer, 33.312"		4131170	D-Style Handle Molding Assembly (For Valanced Trim)
4	3420250	Gasket Retainer, Side, 57.875"	19	6200780	Screw, #10-24 x 1/2" PH Hex Washer
5	6180040	Pop Rivet, 3/16x1/8 Grip	20	3211140	Door Gasket
6	2225301	Door Trim, Hinge Side	21	6240240	Flat Washer, 1/4"
7	3600751	Door Shelf Outer End Cap RS	22	0180281	Switch Depressor, White
	3600752	Door Shelf Outer End Cap LS	23	6200020	Screw, #7-16 x 1/2" Pan HD
8	3550440	Door Shelf Retainer	24	3450460	Door Trim Clip
9	3600761	Door Shelf Inner End Cap RS	25	4131151	Door Assembly, Fre; RH
	3600762	Door Shelf Inner End Cap LS		4131152	Door Assembly, Fre; LH
10	3600970	Door Shelf	26	6240020	Star Washer, 3/16"
11	3510710	Door Shelf Support	27	NLA	See EH501
12	4330250	Door Shelf Assembly		NLA	See EH501
13	6200410	Screw, #8 x 1/2" Slot Head Hex	28	4200760	Door Trim Components for D-Style Valanced Handle
14	2225408	Door Trim, Top RH/Bottom LH, 45° Miter on Handle Side		4200690	D-Style Handle End Cap Replacement Components
	2225409	Door Trim, Top LH/Bottom RH, 45° Miter on Handle Side			
	2225402	Door Trim, Top RH/Bottom LH (Valanced Handle)			
	2225403	Door Trim, Top LH/Bottom RH (Valanced Handle)			

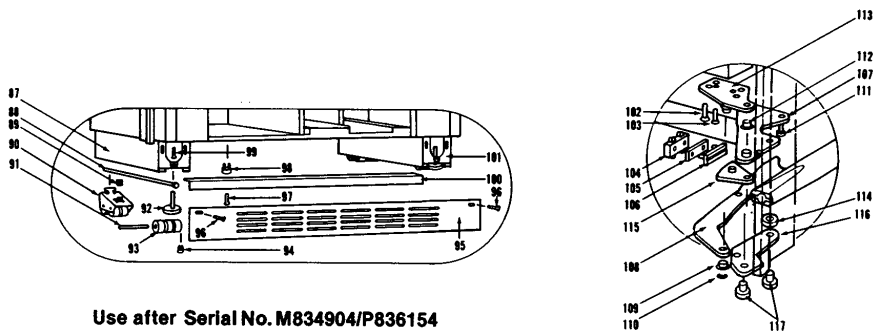
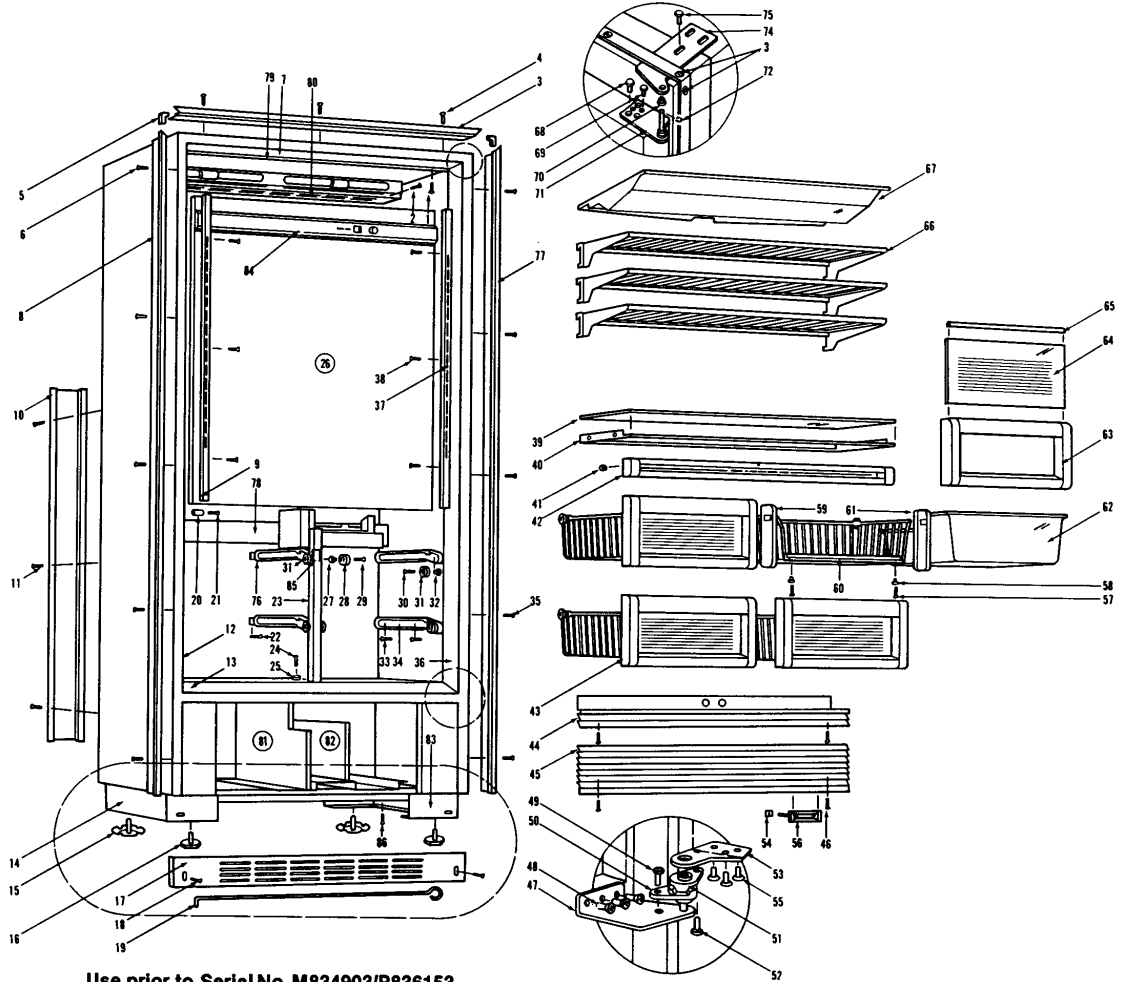
501F DOOR VIEW



501F COSMETIC VIEW

Ref.	Part No.	Description	Ref.	Part No.	Description
1	6200140	Screw, #8-15 x 3/8" Truss HD	57	6200700	Screw, #6-20 x 5/8" PH Flat HD SS
2	6200130	Screw, #8-18 x 3/4" Truss Head	58	6220320	Screw Grommet
3	2225618	Top Main Frame, RH Dr Swing	59	3410972	Freezer Basket Retainer, LS
	2225619	Top Main Frame, LH Dr Swing	60	4180880	Basket Assembly, Fre
4	6200010	Screw, #10-12 x 3/4" Pan HD	61	3410971	Freezer Basket Retainer, RS
5	2210701	Main Frame Angle	62	3411320	Ice Bucket
6	6200210	Screw, #8-32 x 1/2" Flat Head	63	3410820	Freezer Basket/IM Bucket Front
7	1807300	Breaker Strip, 6' Length - NOTE: Must be cut to length	64	3500260	Freezer Drawer Glass
			65	3600950	Drawer Glass Retainer
8	2225611	Left Side Main Frame, RH Dr Swing	66	3600820	Freezer Shelf
	2225612	Left Side Main Frame, LH Dr Swing	67	4200840	Light Diffuser/Fan Shroud Replacement Components
9	3601142	Shelf Ladder LS			
10	0165380	Back Cover	68	6110010	Bolt, #10-24 x 1/2" Flat Head UC
11	6200230	Screw, #8-18 x 1/2" Hex Head	69	6200210	Screw, #8-32 x 1/2" Flat Head
12	1807300	Breaker Strip, 6' Length - NOTE: Must be cut to length	70	3420070	Hinge Bearing
			71	4150771	Door Hinge, Top; RH
13	1807300	Breaker Strip, 6' Length - NOTE: Must be cut to length		4150772	Door Hinge, Top; LH
			72	3450270	E-Ring / Retaining Ring
14	4110022	Left Base Assembly	73	6200070	Screw, #4-24 x 3/8" Flat HD
15	3570020	Rear Leveling Leg, #18-3/8 x 1-1/2"	74	0182560	Cabinet Hinge, Top
16	3570050	Leveling Leg, #18-3/8 x 1"	75	6110070	Bolt, 1/4-20x3/4 Spinlock Zinc
17	0164770	Kickplate, 3.44 x 35.5	76	3411280	Center Basket Slide
18	6200050	Screw, #10-12 x 1/2" Pan HD	77	2225604	Right Side Main Frame, RH Dr Swing
19	3570030	Leveling Rod, 26-3/4"		2225605	Right Side Main Frame, LH Dr Swing
20	6220360	Screw Grommet	78	0233100	Drain Trough Encloser
21	6200280	Screw, #8-18 x 1" Pan Head	79	0211380	Light Diffuser Retainer
22	6200140	Screw, #8-15 x 3/8" Truss HD	80	0211680	Fan Guard
23	0233090	Basket Slide Support, Center	81	4280460	Condenser Fan Shroud Assembly
24	6200130	Screw, #8-18 x 3/4" Truss HD	82	4280200	Compressor Shroud Assembly
25	6240030	Plastic Washer	83	4110021	Right Base Assembly
26	0233060	Cold Plate / Evaporator Cover	84	3012590	Control Panel - NOTE: Also order three 6230530
27	3430080	Roller Bushing			
28	3421170	Freezer Basket Slide Roller, Wide	85	3550450	Hex Insert
29	6200740	Screw, #10-32 x 11/16" PH Flat HD UC	86	6200010	Screw, #10-12 x 3/4" Pan Head
30	6200730	Screw, #10-16 x 3/4" PH Flat HD UC	87	4110333	Base Assembly (w/rollers)
31	3421160	Basket Slide Roller	88	6110520	Adjusting Screw
32	3430080	Roller Bushing	89	6150670	J-Nut, #10-24
33	6200450	Screw, #8 x 1" Type AR Flat	90	4110331	Base Rear Roller Assy
34	4180971	Freezer Basket Slide Assy - Right	91	3550560	Straight Pin, Base Assy - .312" x 2.88"
	4180972	Freezer Basket Slide Assy - Left	92	3570050	Leveling Leg, #18-3/8 x 1"
	4180971	Freezer Basket Slide Assy - Right	93	3421240	Cabinet Base Roller (3 per side)
	4180972	Freezer Basket Slide Assy - Left	94	3450620	Canoe Clip
35	6200210	Screw, #8-32 x 1/2" Flat Head	95	0166150	Kickplate, Vented
36	1807300	Breaker Strip, 6' Length - NOTE: Must be cut to length		4200871	Kickplate, Solid
			96	6200050	Screw, #10-12 x 1/2" Pan HD
37	3601141	Shelf Ladder RS	97	6200010	Screw, #10-12 x 3/4" Pan HD
38	6200710	Screw, #8-18 x 3/8" Fillister HD	98	6220050	Screw Grommet, 1/2" x 5/8"
39	3470270	Freezer Shelf Glass	99	6200010	Screw, #10-12 x 3/4" Pan HD
	4181010	Glass Shelf Assembly	100	0166070	Kickplate Support
40	3601130	Freezer Shelf Frame	101	4110333	Base Assembly (w/rollers) - Right or Left
41	6150620	Nut, 3/16" Pal	102	6110010	Bolt, #10-24 x 1/2" Flat Head UC
42	4202660	Freezer Shelf Front Assembly	103	6200390	Screw, #6 x 3/8" T25 Flat Head PH
43	4180880	Basket Assembly, Fre	104	3450570	Door Closer Cushion
44	2226201	Grille Top, RH Dr Swing	105	3421310	Door Closer Guide
	2226202	Grille Top, LH Dr Swing	106	0165970	Door Closer Guide Support
45	4240500	Louvered Grille	107	4151231	Cabinet Hinge Assembly, Bot; RH
46	6200790	Screw, #8-18 x 1/2" Black		4151232	Cabinet Hinge Assembly, Bot; LH
47	4151141	Cabinet Hinge, Bot; RH	108	4201113	Door Closer Assembly, RH
	4151142	Cabinet Hinge, Bot; LH		4201114	Door Closer Assembly, LH
48	6110010	Bolt, #10-24 x 1/2" Flat Head UC	109	3421260	Door Closer Bearing
49	6110270	Bolt, #10-32 x 1/4" RD HD	110	3450550	E-Ring / Klipping, 5/16"
50	3420681	Bottom Cabinet Hinge Cam, RH	111	6110070	Bolt, 1/4-20 x 3/4" Spinlock Zinc
	3420682	Bottom Cabinet Hinge Cam, LH	112	3421270	Hinge Bearing, 3/8" x 5/8"
51	3420690	Bottom Door Hinge Cam - RH or LH	113	4151241	Door Hinge, Bot; RH
52	6110270	Bolt, #10-32 x 1/4" RD HD		4151242	Door Hinge, Bot; LH
53	0182381	Door Hinge, Bottom; RH	114	6160220	Steel Spacer
	0182382	Door Hinge, Bottom; LH	115	DS90	Door Stop-90 Degree
54	6150140	Spring Grip Nut, 1/8"		DS105	Door Stop-105 Degree
55	6110010	Bolt, #10-24 x 1/2" Flat Head UC	116	0183140	Cabinet Hinge Stiffener
56	3580110	Name Plate	117	6110450	Bolt, 1/4-20 x 1/2" Whiz Lock

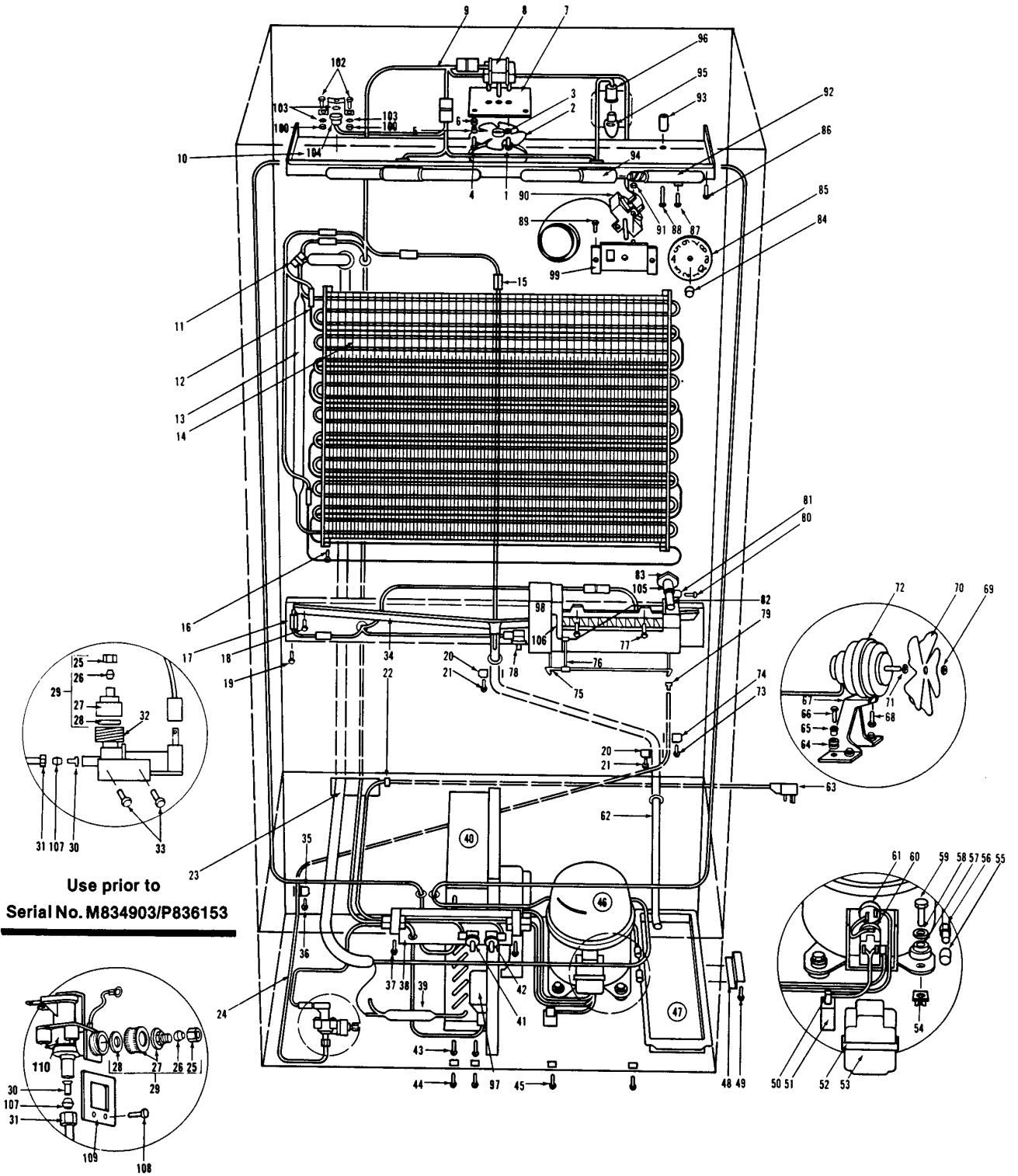
501F COSMETIC VIEW



501F SEALED SYSTEM VIEW

Ref.	Part No.	Description	Ref.	Part No.	Description
1	6110270	Bolt, #10-32 x 1/4" RD HD		3150170	Rubber Grommet, Large, 15/16"
2	3150450	Fan Blade, Evap, Blk, 5 prop, 5 1/2"	58	6240050	Flat Washer, 5/16"
3	6200120	Screw, #10-12 x 1/2" Truss HD	59	6200300	Screw, 5/16-18 x 1-1/2" Hex
4	6200130	Screw, #8-18 x 3/4" Truss HD	60	****	Relay
5	3520120	Brass Insert, Fan Bracket	61	****	Overload
6	3220250	Grommet, 3/16" x 7/16" x 9/32"	62	1601400	Drain Tube, Wire - 1/2" x 72"
7	0211620	Refrigerator Fan Bracket	63	4321820	Power Cord
8	4200720	Evap Fan Motor Replacement Components	64	3220160	Grommet, 3/16" x 7/16" x 9/32"
9	4322420	Cabinet Wiring Harness-Phoenix	65	3520120	Brass Insert, Fan Bracket
	4322370	Cabinet Wiring Harness-Madison	66	6200430	Screw, #8-18 x 1/2" PH Type-B Pan Head
10	4160520	Fan Shroud Assembly	67	2801603	Fan Bracket, Cond
11	3082060	Defrost Terminator	68	6200490	Screw, #8-32 x 3/8" Slotted Hex T25
12	4322390	Defrost Heater Assembly	69	6150410	Nut, 1/4 x 20
13	3011140	Accumulator	70	3150320	Fan Blade, Cond, 5 prop, 7"
14	3130250	Evaporator Coil	71	3210340	Neoprene Silencer, 7/8"
15	3013550	Braided Wire Heater	72	4200740	Condenser Fan Motor Replacement Components
16	6200140	Screw, #8-15 x 3/8" Truss HD	73	6200230	Screw, #8-18 x 1/2" Hex Head
17	3013530	Drain Trough Heater	74	6120030	Tube Clamp, Plastic 1/4"
18	6200140	Screw, #8-15 x 3/8" Truss HD	75	3421150	Ice Level Control Arm
19	6200140	Screw, #8-15 x 3/8" Truss HD	76	3421070	Connecting Rod
20	6120050	Tube Clamp, Plastic, 5/8"	77	6200120	Screw, #10-12 x 1/2" Truss HD
21	6200230	Screw, #8-18 x 1/2" Hex Head	78	3060130	SPST Fan/Icemaker Switch
22	3220140	Strain Relief Bushing	79	3520050	Brass Insert, Solenoid
23	4251010	Heat Exchanger	80	6200330	Screw, #8-18 x 3/8" Pan Head
24	2600617	Plastic Water Line	81	6120120	Tube Clamp, 3/8" Stl w/nut
25	NLA	Compression Nut - See 3520110	82	3450480	Plastic O-Ring, Fill Tube
26	NLA	Ball Sleeve - See 3520110	83	2603802	Water Inlet Tube
27	NLA	Water Valve Fitting - See 3520110	84	3012560	Control Knob
28	3210030	Solenoid Gasket	85	3012810	Control Indicator
29	3520110	Water Inlet Fitting Assy	86	6200140	Screw, #8-15 x 3/8" Truss HD
30	3520050	Brass Insert, Solenoid	87	6200130	Screw, #8-18 x 3/4" Truss HD
31	3520030	Icemaker Nylon Nut, 1/4"	88	6200090	Screw, #8-15 x 1-3/4" Truss HD
32	4201440	Water Solenoid Valve	89	6180010	Pop Rivet, 1/8"
33	6200060	Screw, #8-32 x 1/2" Pan HD	90	3012750	Freezer Control
34	4190180	Drain Trough Assembly	91	6150320	Nut-Pal, #8-32
	6200020	Screw, #7-16 x 1/2" Pan HD	92	3030040	Light Bulb, Long/Narrow; 40 watt
38	0165460	Switch Housing	93	6220340	Screw Grommet / Stand-off
39	3014230	Filter-Drier, High Side	94	3050020	Light Socket, 3/4 Double
40	3120230	Condenser	95	3030070	Light Bulb, 7W
41	3060020	Fan Switch, Normally Open	96	3050070	Light Socket
42	3060030	Light Switch, Normally Closed	97	3081180	Defrost Timer, 6Hr / 21Min
43	6110020	Bolt, #10-24 x 3/8" Truss HD	98	4200520	Complete Modular Icemaker Assembly
44	6110020	Bolt, #10-24 x 3/8" Truss HD		628366	Module & Motor Assembly
45	6110020	Bolt, #10-24 x 3/8" Truss HD	99	4151040	Control Bracket Assy
46	4202560	Service Replacement Compressor	100	6150160	Nut, #8-32 Hex
47	0164970	Drain Pan, Plastic	102	6110050	Bolt, #8-32 x 3/8" Truss HD
48	0165010	Drain Pan Support	103	6240020	Star Washer, 3/16"
49	6200010	Screw, #10-12 x 3/4" Pan HD	104	4200850	Light Terminator Kit
50	4322280	Compressor Wiring Harness	105	2605403	Aluminum Sleeve
51	****	Running Capacitor	106	3140200	Icemaker Shut-off Arm
52	****	Compressor Cap Strap	107	3520110	Water Inlet Fitting Assy
53	****	Compressor Cap	108	6200780	Screw, #10-24 x 1/2" PH Hex Washer
54	1801000	Nylon Compressor Mount, 7/16"	109	0166200	Solenoid Retainer
55	NLA	Valve Cap -See 3090010; 3090100; 3090210; 3090220	110	4201450	Water Solenoid Valve
56	3090010	Compressor Base Valve - fits on 5/16"OD tubing	111	6220330	Plastic Support
57	3150010	Rubber Grommet, Small, 5/8"			

501F SEALED SYSTEM VIEW



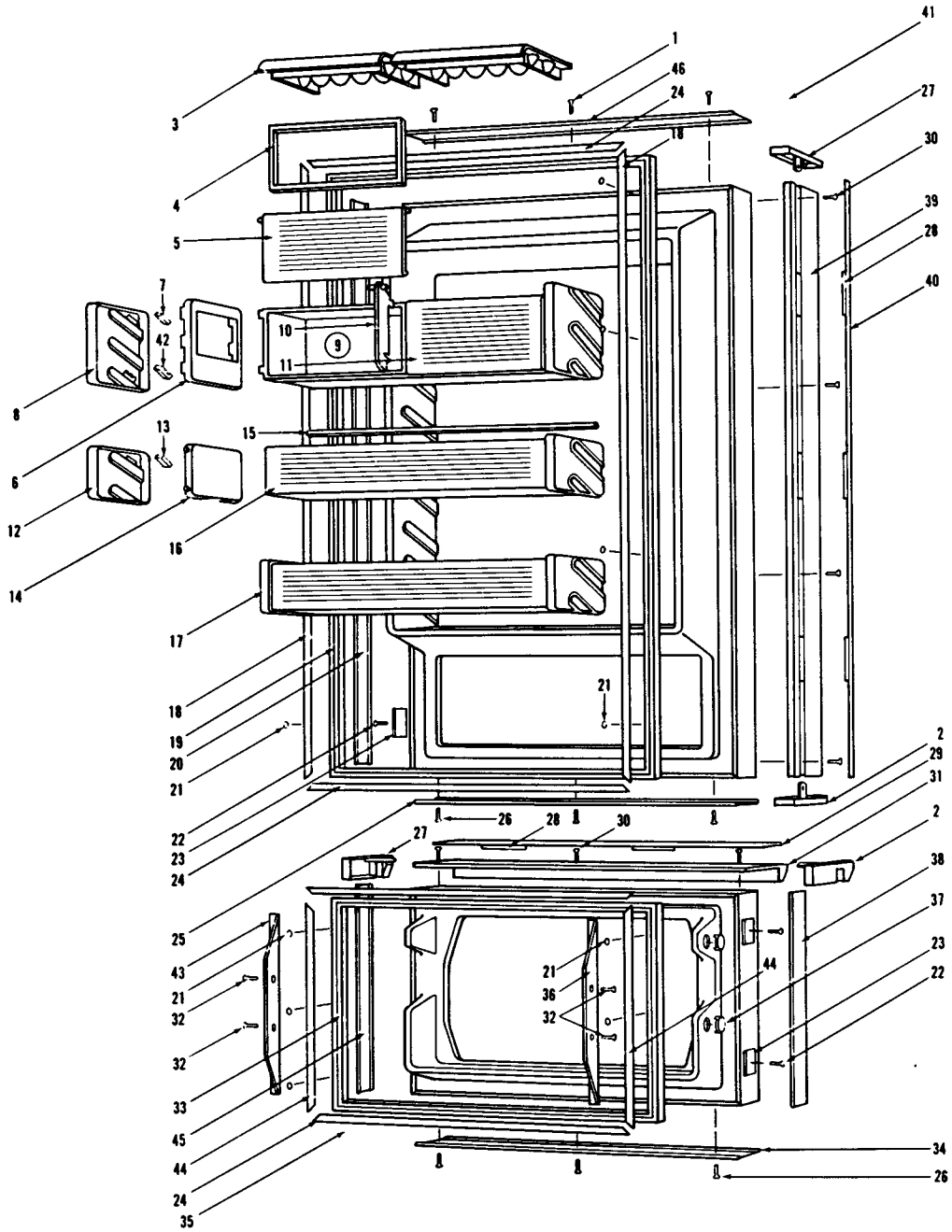
**Use prior to
Serial No. M834903/P836153**

**Use after
Serial No. M834904/P836154**

511 DOOR VIEW

Ref.	Part No.	Description	Ref.	Part No.	Description
1	6200720	Screw, #8-18 x 1/2 PH Truss HD	23	3450460	Door Trim Clip
2	4200490	Standard Handle End Cap Replacement Components	24	3420200	Gasket Retainer, 27.062"
	4200700	Extended Handle End Cap Replacement Components	25	2225508	Door Trim, Top LH/Bottom RH
3	3410920	Egg Tray		2225507	Door Trim, Top RH/Bottom LH
4	3210730	Dairy Door Seal	26	6200720	Screw, #8-18 x 1/2 PH Truss HD
5	3515620	Dairy Door	27	4200490	Standard Handle End Cap Replacement Components
6	3600891	Dairy Compartment Inner End Cap RS		4200700	Extended Handle End Cap Replacement Components
	3600892	Dairy Compartment Inner End Cap LS	28	3450450	Molding Magnet - 3"
7	3550440	Door Shelf Retainer	29	4131020	Freezer Handle Molding Assembly, Fre
8	3600851	Dairy Compartment Outer End Cap; RS	30	6200720	Screw, #8-18 x 1/2 PH Truss HD
	3600852	Dairy Compartment Outer End Cap; LS	31	4130960	Door Handle Assembly, Fre EH511
9	3600870	Dairy Compartment	32	6110450	Extended Full Length Handle Set
10	3421060	Dairy Compartment Center Divider	33	3211160	Bolt, 1/4-20 x 1/2" Whiz Lock
11	4330310	Dairy Compartment Assembly	34	2225509	Door Gasket, Freezer
12	3600751	Door Shelf Outer End Cap RS	35	4131260	Door Trim, Bottom
	3600752	Door Shelf Outer End Cap LS	36	0182652	Door Assembly, Fre
13	3550440	Door Shelf Retainer	37	3550230	Freezer Door Support Rail, LH
14	3600761	Door Shelf Inner End Cap RS	38	2225203	White Plastic Plug, 3/4"
	3600762	Door Shelf Inner End Cap LS	39	4130930	Door Trim, Side Fre
15	3510720	Door Shelf Support, Ref		EH511	Door Handle Assembly, Ref
16	3600980	Refrigerator Door Shelf	40	4130990	Extended Full Length Handle Set
17	4330260	Door Shelf Assembly	41	4131271	Handle Molding Assembly, Ref
18	3420240	Gasket Retainer, Side Ref, 47.438"	42	4131272	Door Assembly, Ref; RH
19	3211150	Door Gasket, Refrig.	43	4131272	Door Assembly, Ref; LH
20	2225204	Door Trim, Side; Ref	44	3550490	Dairy Compartment Retainer
21	6200410	Screw, #8-15 x 3/8" Truss HD	45	0182651	Freezer Door Support Rail, RH
22	6180040	Pop Rivet, 3/16x1/8 Grip	46	3420150	Gasket Retainer, 17.312"
				2225202	Door Trim, Side; Fre RS
				2225507	Door Trim, Top RH/Bottom LH
				2225508	Door Trim, Top LH/Bottom RH

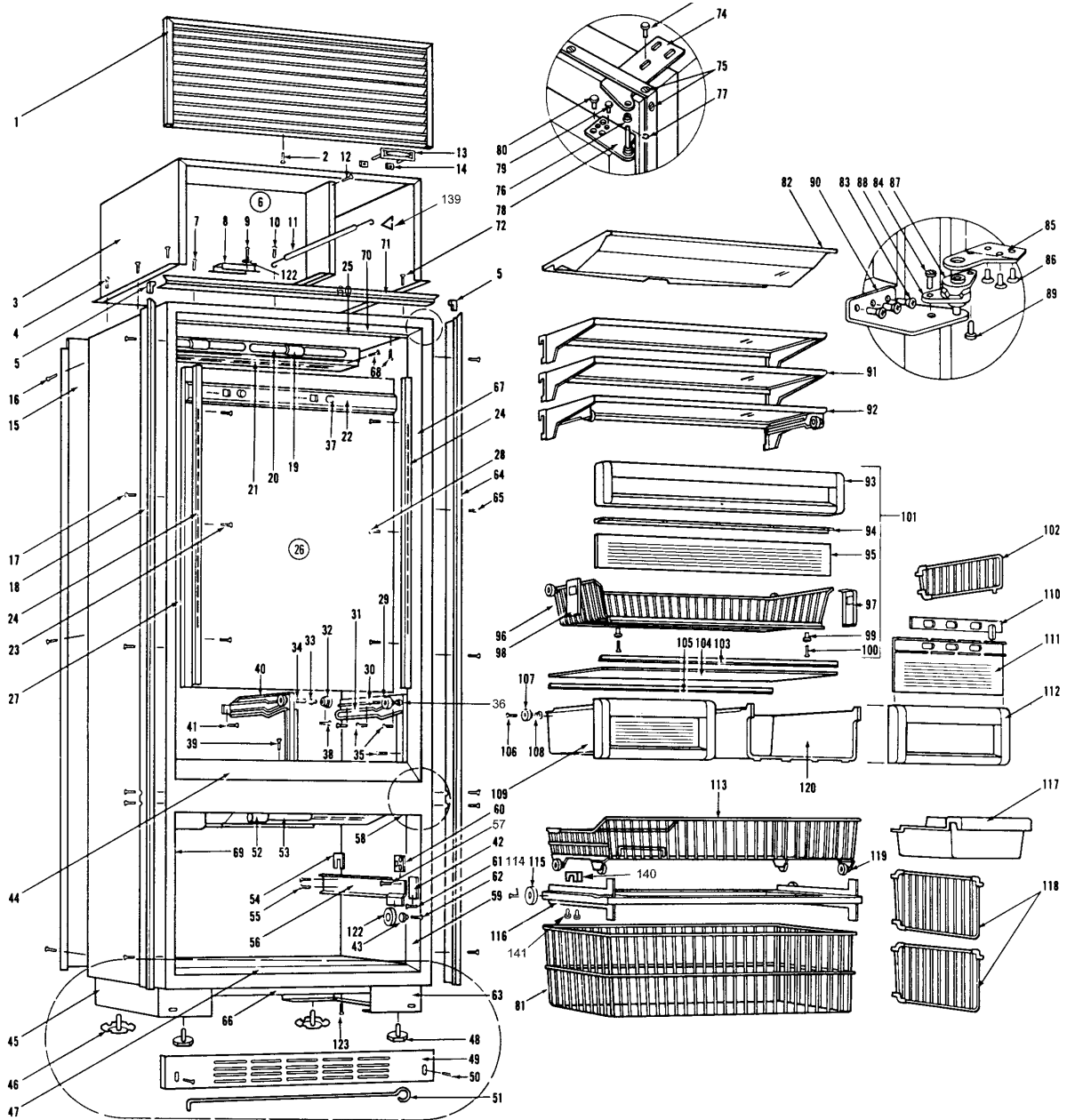
511 DOOR VIEW



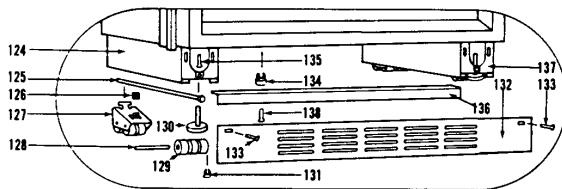
511 COSMETIC VIEW

Ref.	Part No.	Description	Ref.	Part No.	Description
1	LG3011	Louvered Grille, 30 x 11			cut to length
2	6200770	Screw, #6-32 x 3/4" Pan HD	71	2225621	Top Main Frame, RH Dr Swing
3	4280530	Unit Shroud Assembly		2225622	Top Main Frame, LH Dr Swing
4	6200230	Screw, #8-18 x 1/2" Hex Head	72	6200010	Screw, #10-12 x 3/4" Pan HD
5	2210701	Main Frame Angle	73	6110070	Bolt, 1/4-20 x 3/4" Spinlock Zinc
6	4280520	Compressor Shroud Assembly	74	0182560	Cabinet Hinge, Top
7	6200010	Screw, #10-12 x 3/4" Pan HD	75	6200070	Screw, #4-24 x 3/8" Flat HD
8	0165760	Switch Enclosure	76	3420070	Hinge Bearing
9	6200010	Screw, #10-12 x 3/4" Pan HD	77	3450270	E-Ring / Retaining Ring
10	6200020	Screw, #7-16 x 1/2" Pan HD	78	3540340	Door Hinge, Top RH
11	3450120	Grille Spring, 1/4" x 9-5/8"		3540350	Door Hinge, Top LH
12	6200020	Screw, #7-16 x 1/2" Pan HD	79	6200390	Screw, #6 x 3/8" T25 Flat Head PH
13	3580110	Name Plate	80	6110010	Bolt, #10-24 x 1/2" Flat Head UC
14	6150140	spring Grip Nut, 1/8"	81	3411190	Lower Freezer Basket
15	0164530	Back Cover and Shroud	82	4200810	Light Diffuser/Fan Shroud Replacement Components; Ref.
16	6200230	Screw, #8-18 x 1/2" Hex Head	83	6110010	Bolt, #10-24 x 1/2" Flat Head UC
17	6200210	Screw, #8-32 x 1/2" Flat Head	84	6110270	Bolt, #10-32 x 1/4" RD HD
18	2225609	Left Side Main Frame, RH Dr Swing	85	0182381	Door Hinge, Bottom; RH
	2225610	Left Side Main Frame, LH Dr Swing		0182382	Door Hinge, Bottom; LH
19	3050020	Light Socket, 3/4 Double	86	6110010	Bolt, #10-24 x 1/2" Flat Head UC
20	3030040	Light Bulb, Long/Narrow; 40 watt	87	3420690	Bottom Door Hinge Cam
21	4200810	Light Diffuser/Fan Shroud Replacement Components	88	3420681	Bottom Cabinet Hinge Cam, RH
22	3012620	Control Panel, Refrig. - NOTE: Also order three 6230530.		3420682	Bottom Cabinet Hinge Cam, LH
23	6200710	Screw, #8-18 x 3/8" Fillister HD	89	6110270	Bolt, #10-32 x 1/4" RD HD
24	3601101	Cabinet Shelf Ladder - Right	90	4151151	Cabinet Hinge, Bot; RH
	3601102	Cabinet Shelf Ladder - Left		4151152	Cabinet Hinge, Bot; LH
25	0211390	Refrigerator Light Diffuser Retainer	91	4180770	Glass Shelf Assembly
26	0200750	Refrigerator Cold Plate Cover / Evaporator Cover		NLA	Refrigerator Shelf Glass - See 4180770
27	1807300	Breaker Strip, 6' Length - NOTE: Must be cut to length	92	4180800	Shelf Assembly, Ref Roll-out Basket
28	6200710	Screw, #8-18 x 3/8" Fillister Head	93	3410900	Refrigerator Roll-Out Basket Front
29	3421110	Crisper Roller	94	3600930	Refrigerator Roll-Out Basket Glass Retainer
30	6200730	Screw, #10-16 x 3/4" PH Flat HD UC	95	3500290	Refrigerator Roll-Out Basket Glass
31	4180931	Crisper Slide Assy, Right Side	96	NLA	Refrigerator Roll-Out Basket - See 4180860
	4180932	Crisper Slide Assy, Left Side	97	3411001	Refrigerator Roll-Out Basket Retainer, RH
32	3421100	Crisper Roller; Narrow	98	3411002	Refrigerator Roll-Out Basket Retainer, LH
33	3430080	Roller Bushing	99	6220320	Screw Grommet
34	3550450	Hex Insert	100	6200700	Screw, #6-20 x 5/8" PH Flat HD SS
35	6200450	Screw, #8 x 1" Type AR Flat	101	4180860	Basket Assembly, Ref Roll-out
36	3430080	Roller Bushing	102	3411160	Ref Roll-Out Bskt Divider
37	3012560	Control Knob	103	2301701	Front Crisper Seal
38	6200740	Screw, #10-32 x 11/16" PH Flat HD UC	104	4151070	Crisper Glass Assembly
39	3550460	White Cap plug	105	1302000	Rear Crisper Seal
40	4180940	Crisper Slide Assy; Center	106	6200730	Screw, #10-16 x 3/4" PH Flat HD UC
41	6200140	Screw, #8-15 x 3/8" Truss HD	107	3421110	Crisper Roller
42	3420821	Cabinet Support Insulator, Right Side	108	3430080	Roller Bushing
	3420822	Cabinet Support Insulator, Left Side	109	4180900	Crisper Drawer Assembly
43	3430040	Spacer, .75 x .26 x .22	110	3411051	Vent Slide
44	2809502	Breaker Strip, Refrigerator Mullion	111	3411041	Crisper Glass Front
45	4110032	Left Base Assembly	112	3411031	Crisper Drawer Front
46	3570020	Rear Leveling Leg, #18-3/8 x 1-1/2"	113	4181030	Upper Freezer Basket Assembly
47	1807300	Breaker Strip, 6' Length - NOTE: Must be cut to length	114	6110260	Upper Freezer Basket - See 4181030
48	3570050	Leveling Leg, #18-3/8 x 1"	115	3420900	Bolt, 1/4-20 x 1/2" Flat HD
49	0165710	Kickplate	116	4180820	Roller Bearing
50	6200050	Screw, #10-12 x 1/2" Pan HD	117	3411340	Drawer Slide Assembly, Freezer
51	3570030	Leveling Rod, 26-3/4"	118	3411310	Ice Bucket
52	3050010	Light Socket, 3/4 Single	119	NLA	Lower Freezer Basket Divider
53	3030040	Light Bulb, Long/Narrow; 40 watt	120	3411021	Upper Freezer Basket Roller- See 4181030.
54	0232310	Drawer Slide Shim, Rear	121	6240020	Crisper Drawer
55	6110330	Screw, #10-32 x 1/4" Chrome Plate	122	3420900	Star Washer, 3/16"
56	4180681	Cabinet Slide Assy, Fre; Right	123	6200010	Roller Bearing
	4180682	Cabinet Slide Assy, Fre; Left	124	4110333	Screw, #10-12 x 3/4" Pan HD
57	6200590	Screw, #12 x 1" Type A Zinc Flat HD	125	6110520	Base Assembly (w/rollers) - Right or Left
58	2809702	Breaker Strip, Freezer Mullion	126	6150670	Adjusting Screw
59	2807340	Breaker Strip, Freezer; Right Side	127	4110331	J-Nut, #10-24
60	0232300	Drawer Slide Shim, Front	128	3550560	Base Rear Roller Assy
61	6200150	Screw, #10 x 3/4" Type 23 Round HD	129	3421240	Straight Pin, Base Assy - .312" x 2.88"
62	6110440	Bolt, 1/4-20 x 3/4" Flat HD	130	3570050	Cabinet Roller (3 per side)
63	4110031	Right Base Assembly	131	3450620	Leveling Leg, #18-3/8 x 1"
64	2225602	Right Side Main Frame, RH Dr Swing	132	0166130	Canoe Clip
	2225603	Right Side Main Frame, LH Dr Swing		4200870	Kickplate, Vented
65	6200210	Screw, #8-32 x 1/2" Flat Head	133	6200050	Kickplate, Solid
66	0165700	Kickplate Support	134	6220050	Screw, #10-12 x 1/2" Pan HD
67	2807339	Refrigerator Right Side Breaker Strip	135	6200010	Screw Grommet, 1/2" x 5/8"
68	6200140	Screw, #8-15 x 3/8" Truss Head	136	0166030	Screw, #10-12 x 3/4" Pan HD
69	1807300	Breaker Strip, 6' Length - NOTE: Must be cut to length	137	4110333	Kickplate Support
70	1807300	Breaker Strip, 6' Length - NOTE: Must be cut to length	138	6200010	Base Assembly (w/rollers) - Right or Left
			139	3450520	Screw, #10-12 x 3/4" Pan HD
			140	3420950	Grille Hook
			141	6200340	Upper Freezer Basket Restraint
					Screw, #6-20 x 1/2", Pan Head

511 COSMETIC VIEW



Use prior to
Serial No. M830453

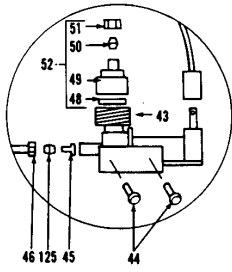
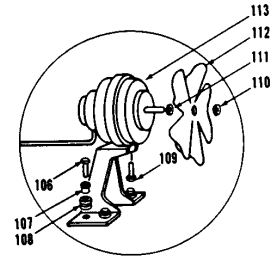
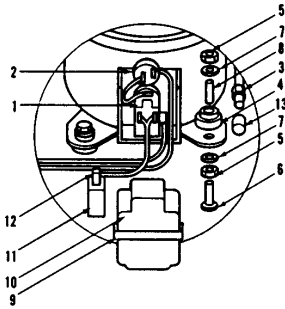


Use after
Serial No. M830454

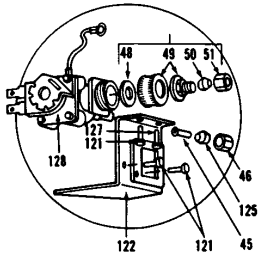
511 SEALED SYSTEM VIEW

Ref.	Part No.	Description	Ref.	Part No.	Description
1	****	Relay, Freezer	64	6120050	Tube Clamp, Plastic, 5/8"
	****	Relay, Refrigerator	65	6200230	Screw, #8-18 x 1/2" Hex Head
2	****	Overload, Freezer	66	1601400	Drain Tube, Wire - 1/2" x 72"
3	3090010	Compressor Base Valve	67	6200120	Screw, #10-12 x 1/2" Truss HD
4	3150010	Rubber Grommet, Small, 5/8"	68	4151190	Freezer Air Duct Assembly
	3150170	Rubber Grommet, Large, 15/16"	69	6200430	Screw, #8-18 x 1/2" PH Type-B Pan Head
5	6150220	Nut, 5/16-18 Hex Zinc	70	3520120	Brass Insert, Fan Bracket
6	6240050	Flat Washer, 5/16"	71	3220250	Grommet, 3/16" x 7/16" x 9/32"
7	6240050	Flat Washer, 5/16"	72	3150370	Fan Blade, Freezer Evap.
8	6160030	Spacer, 5/16 x 7/16 x 5/8"	73	0233210	Fan Shroud, Fre Evap
	6160070	Sleeve, 5/16 x 7/16 x 7/8"	74	0232280	Fan Bracket, Fre
9	****	Refrigerator Compressor Cap Strap	75	6110270	Bolt, #10-32 x 1/4" RD HD
	****	Freezer Compressor Cap Strap	76	4200160	Freezer Fan Motor Replacement Components
10	****	Refrigerator Compressor Cap	77	3130320	Evaporator Coil, Freezer
	****	Freezer Compressor Cap	78	4322580	Defrost Heater Assembly
11	****	Run Capacitor	79	3012800	Control, Refrig
12	4324110	Run Capacitor Wire Harness	80	6200140	Screw, #8-15 x 3/8" Truss HD
13	NLA	Valve Cap - See 3090010; 3090100; 3090210; 3090220.	81	6200130	Screw, #8-18 x 3/4" Truss HD
14	4251040	Heat Exchanger, Freezer	82	6200090	Screw, #8-15 x 1-3/4" Truss HD
15	4201400	Service Freezer Compressor	83	3030040	Light Bulb, Long/Narrow; 40 Watt
16	6220340	Screw Grommet / Stand-off	84	4160610	Fan Shroud Assembly, Ref
17	6180010	Pop Rivet, 1/8"	85	3050020	Light Socket, 3/4 Double
18	4151040	Control Bracket Assy	86	3030070	Light Bulb, 7W
19	3012810	Control Indicator	87	3050070	Light Socket
20	3012560	Control Knob	88	0211620	Refrigerator Fan Bracket
21	3012541	Control, Fre	89	6110270	Bolt, #10-32 x 1/4" RD HD
22	3130260	Evaporator, Refrig.	90	3150210	Fan Blade, Ref Evap
23	6200140	Screw, #8-15 x 3/8" Truss HD	91	6200120	Screw, #10-12 x 1/2" Truss HD
24	4190200	Drain Trough Assembly	92	6200130	Screw, #8-18 x 3/4" Truss HD
25	6200230	Screw, #8-18 x 1/2" Hex Head	93	3520120	Brass Insert, Fan Bracket
26	1600800	Water Inlet Tube, 6"	94	3220250	Grommet, 3/16" x 7/16" x 9/32"
	4202170	Fill Tube Heater Assy.	95	4200170	Refrigerator Fan Motor Replacement Components
27	6120120	Tube Clamp, 3/8" Stl w/nut	96	3060130	SPST Fan/Icemaker Switch
28	3520050	Brass Insert, Solenoid	97	3060140	SPST Light Switch
29	6200330	Screw, #8-18 x 3/8" Pan Head	98	6200010	Screw, #10-12 x 3/4" Pan HD
30	3060130	SPST Fan/Icemaker Switch	99	3014230	Filter-Drier, High Side
31	3060140	SPST Light Switch	100	3081180	Service Defrost Timer, 6Hr / 21Min
32	3082060	Defrost Terminator	101	4321820	Power Cord
33	1601400	Drain Tube, Wire - 1/2" x 72"	102	3120240	Dual Condenser
34	3011130	Freezer Accumulator	103	4280500	Condenser Fan Shroud Assembly
35	6200120	Screw, #10-12 x 1/2" Truss HD		0166980	Shroud Support Bracket
36	4202730	Ice Level Arm Package	104	4201670	Service Refrigerator Compressor
37	6200140	Screw, #8-15 x 3/8" Truss HD	105	4251050	Heat Exchanger, Refrigerator
38	0233160	Control Housing, Fre	106	6200280	Screw, #8-18 x 1" Pan Head
39	628366	Module & Motor Assembly	107	3520120	Brass Insert, Fan Bracket
	4200520	Complete Modular Icemaker Assembly	108	3220160	Grommet, 3/16" x 7/16" x 9/32"
40	2600617	Plastic Water	109	6200490	Screw, #8-32 x 3/8" Slotted Hex T25
41	6120030	Tube Clamp, Plastic 1/4"	110	6150410	Nut, 1/4-20
42	6200010	Screw, #10-12 x 3/4" Pan HD	111	3210340	Neoprene Silencer, 7/8"
43	4201440	Water Solenoid Valve	112	3150320	Fan Blade, Cond, 5 prop, 7"
44	6200060	Screw, #8-32 x 1/2" Pan HD	113	4200740	Condenser Fan Motor Replacement Components
45	3520050	Brass Insert, Solenoid	114	4322710	Freezer Wiring Harness
46	3520030	Icemaker Nylon Nut, 1/4"	115	3220170	Snap Bushing
47	6200140	Screw, #8-15 x 3/8" Truss HD	116	6150160	Nut, #8-32 Hex
48	3210030	Solenoid Gasket	117	6240020	Star Washer, 3/16"
49	NLA	Water Valve Fitting - See 3520110	118	4200850	Light Terminator
0	NLA	Ball Sleeve - See 3520110	120	6110050	Bolt, #8-32 x 3/8" Truss HD
51	NLA	Compression Nut - See 3520110	121	6200010	Screw, #10-12 x 3/4" Pan HD
52	3520110	Water Inlet Fitting Assembly	122	0166190	Solenoid Bracket
53	6200120	Screw, #10-12 x 1/2" Truss HD	123	2606601	Aluminum Sleeve
54	3050010	Light Socket, 3/4 Single	124	6120340	Aluminum Strap
55	3030040	Light Bulb, Long/Narrow; 40 Watt	125	NLA	Solenoid Hose Fitting - See 3520110
56	3420760	Drain Pan Holder	126	6220190	Support, .275 x .750"
57	3420670	Screw Spacer	127	6200060	Screw, #8-32 x 1/2" Pan HD
58	6200440	Screw, #10-16 x 11/16" Type B Flat Head	128	4201440	Water Solenoid Valve
59	0164940	Drain Pan, Plastic	129	6220330	Plastic Support
60	6220210	Stand-off Heater Clip	130	3081120	Fan Control Relay
61	2604101	Condensate Heater Loop	131	0166200	Solenoid Retainer
62	6200120	Screw, #10-12 x 1/2" Truss HD			
63	0233180	Evaporator Cover, Fre			

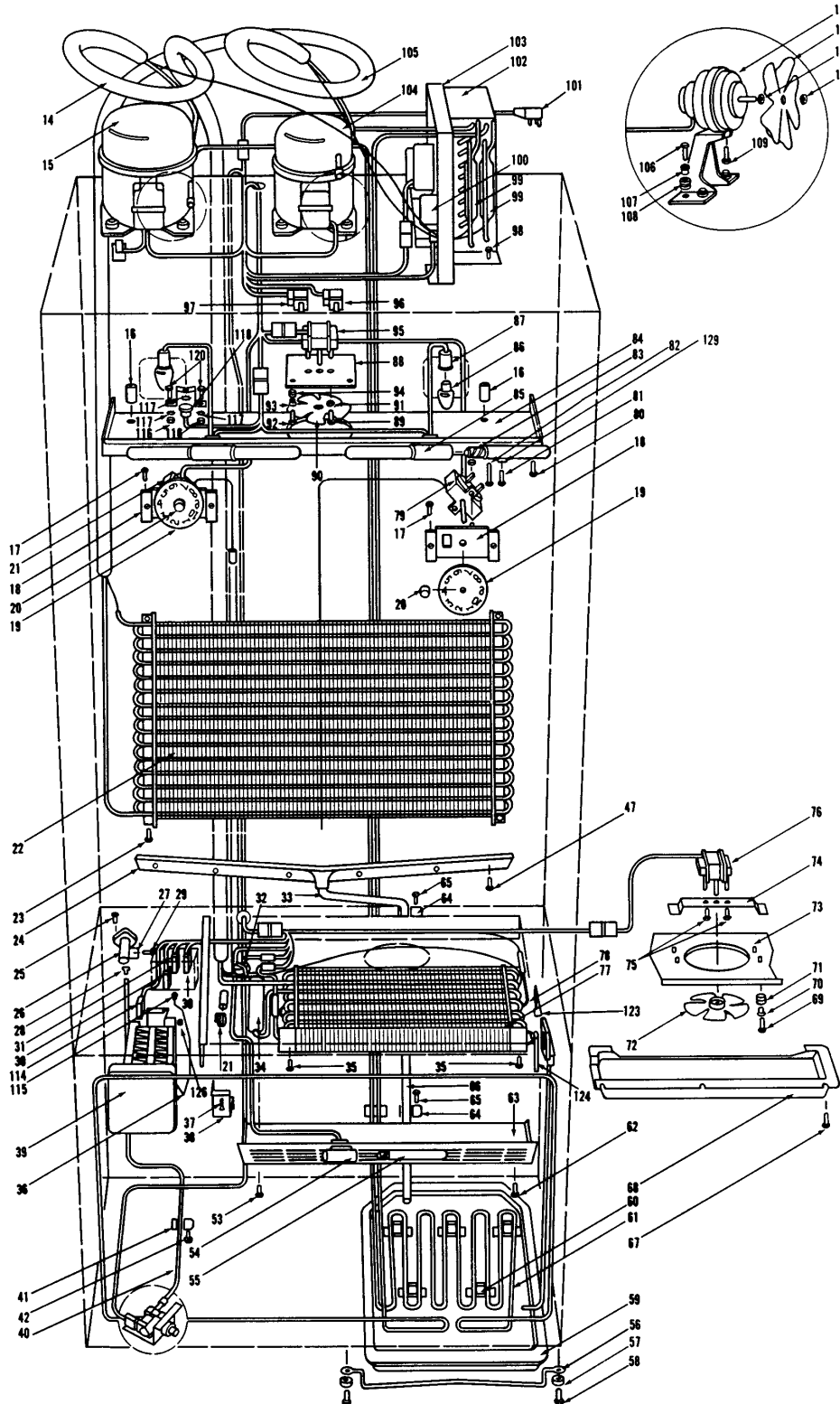
511 SEALED SYSTEM VIEW



Use prior to
Serial No. M830453



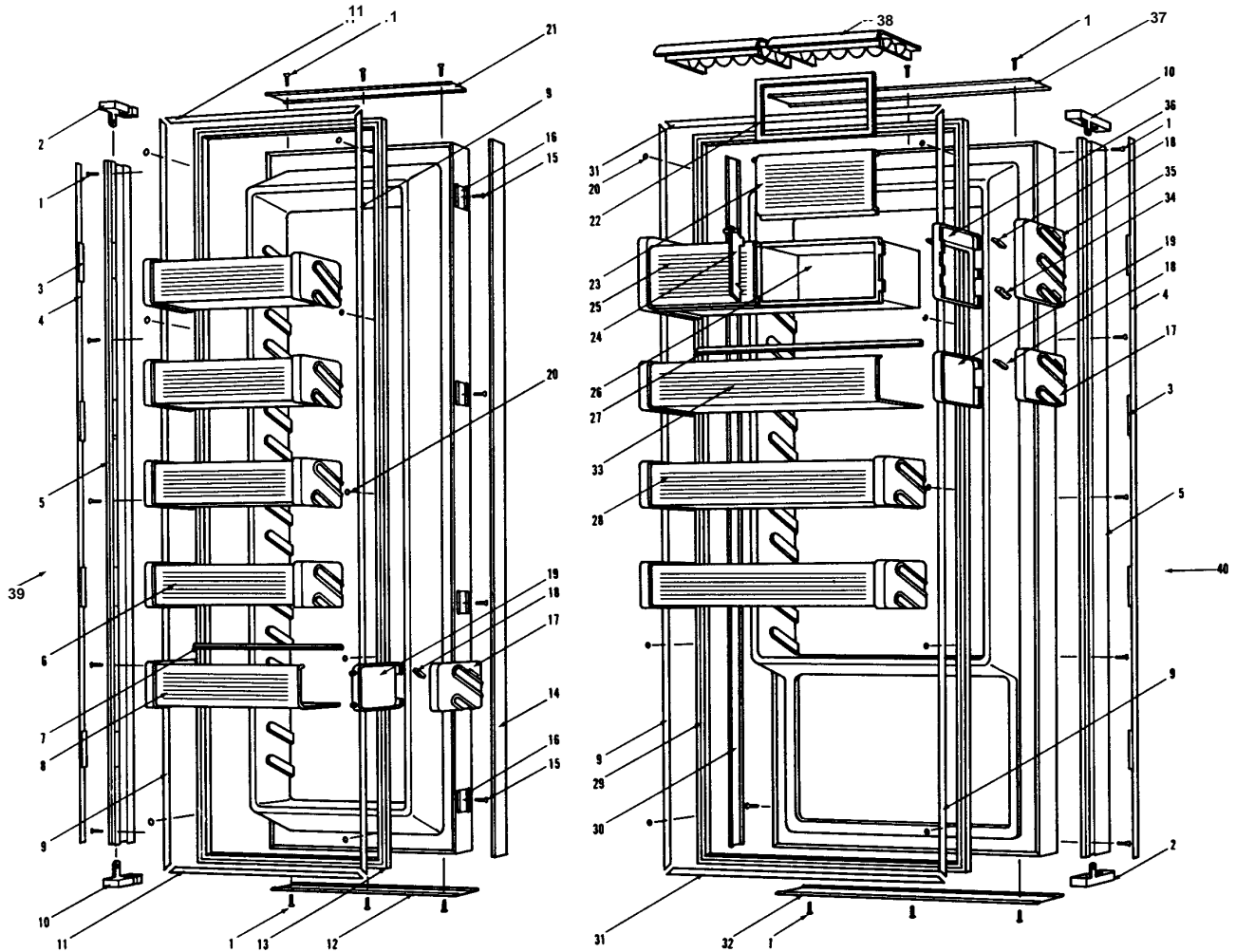
Use after
Serial No. M830454



532 DOOR VIEW

Ref.	Part No.	Description	Ref.	Part No.	Description
1	6200720	Screw, #8-18 x 1/2 PH Truss HD	20	6200410	Screw, #8 x 1/2" Slot Head Hex
2	4200490	Standard Handle End Cap Replacement Components	21	2225404	Door Trim, Top
	4200700	Extended Handle End Cap Replacement Components	22	3210730	Dairy Door Seal
3	3450450	Molding Magnet - 3"	23	3515620	Dairy Door
4	4130970	Handle Molding Assembly	24	3421060	Dairy Compartment Center Divider
5	4130910	Door Handle Assembly	25	4330310	Dairy Compartment Assembly
	EH561	Extended Handle Assembly Set	26	3600870	Dairy Compartment
6	4330280	Door Shelf Assembly, Fre	27	3510720	Door Shelf Support, Ref
7	3510740	Door Shelf Support, Fre	28	4330260	Door Shelf Assembly
8	3601000	Freezer Door Shelf	29	3211080	Door Gasket, Refrig.
9	3420260	Gasket Retainer, 66.875"	30	2225201	Door Trim, Side; Ref RS/Fre LS
10	4200490	Standard Handle End Cap Replacement Components	31	3420200	Gasket Retainer, 27.062"
	4200700	Extended Handle End Cap Replacement Components	32	2225502	Door Trim, Bottom
11	3420140	Gasket Retainer, 16.125"	33	3600980	Refrigerator Door Shelf
12	2225405	Door Trim, Freezer Bottom	34	3550490	Dairy Compartment Retainer
13	3211090	Door Gasket, Freezer	35	3600851	Dairy Compartment Outer End Cap; RS
14	2225201	Door Trim, Side; Ref RS/Fre LS		3600852	Dairy Compartment Outer End Cap; LS
15	6180040	Pop Rivet, 3/16x1/8 Grip	36	3600891	Dairy Compartment Inner End Cap RS
16	3450460	Door Trim Clip		3600892	Dairy Compartment Inner End Cap LS
17	3600751	Door Shelf Outer End Cap RS	37	2225501	Door Trim, Top
	3600752	Door Shelf Outer End Cap LS	38	3410920	Egg Tray
18	3550440	Door Shelf Retainer	39	4130870	Door Assembly, Fre
19	3600761	Door Shelf Inner End Cap RS	40	4130890	Door Assembly, Ref
	3600762	Door Shelf Inner End Cap LS			

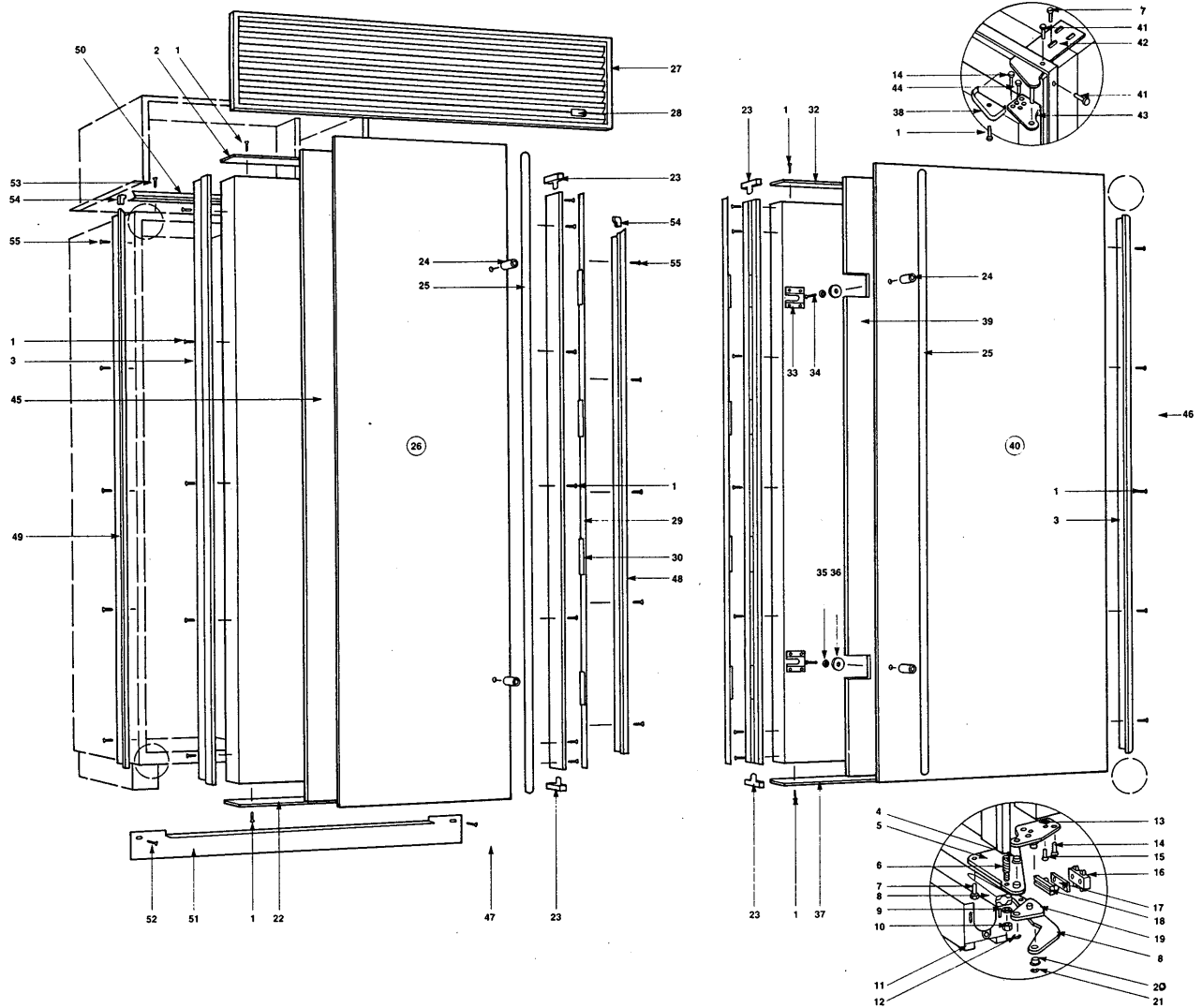
532 DOOR VIEW



532 STAINLESS STEEL EXTERNAL COSMETIC/DOOR VIEW

Ref.	Part No.	Description	Ref.	Part No.	Description
1	6200720	Screw, #8-18 x 1/2 PH Truss HD	26	SSFP532F	Stainless Steel Front Panel, Freezer
2	2229403	Door Trim, Freezer, Top - Square Corner	27	SS4811	Grille Assembly, Stainless Steel - 48x11
3	3511130	Door Trim, Hinge Side - Square Corner	28	3580200	Name Plate
4	3421270	Hinge Bearing, 3/8" x 5/8"	29	4131860	Handle/Trim Molding Assembly
5	4151281	Cabinet Hinge Assembly, Lower; RH	30	3450450	Molding Magnet - 3"
	4151282	Cabinet Hinge Assembly, Lower; LH	31	4131890	Door Trim Assembly, Handle Side
6	3550190	Bottom Hinge Stud	32	2229401	Door Trim, Refrig; Top - Square Corner
7	6110070	Bolt, 1/4-20 x 3/4" Spinlock Zinc	33	0183770	Handle Mounting Bracket
8	3421300	Door Closer Housing	34	6110670	Machine Screw, #10-24x1-1/2 FL
	3421290	Door Closer Linkage	35	3421590	Door Handle Catch
	3450530	Door Closer Spring (Standard)	36	6240350	Fender Washer, .25x1.25x.06
	3450710	Low Pull Spring	37	2229402	Door Trim, Refrig; Bottom - Square Corner
	0165980	Door Closer Spring Retainer	38	3541017	Top Cabinet Hinge Cover, RH
	0183111	Door Closer Arm - RH		3541018	Top Cabinet Hinge Cover, LH
	0183112	Door Closer Arm - LH	39	0183710	Door Panel Backer, Refrigerator
	4200111	Door Closer Assembly, RH	40	SSFP532R	Stainless Steel Front Panel, Refrigerator
	4201112	Door Closer Assembly, LH	41	6200070	Screw, #4-24 x 3/8" Flat HD
9	6240070	Lock Washer, 1/4" SS	42	4151271	Cabinet Hinge Assembly, Upper; RH
10	6150200	Nut, 1/4-20 Hex		4151272	Cabinet Hinge Assembly, Upper; LH
11	4110353	Base Assy (w/rollers)	43	4151471	Door Hinge Assy, Top; RH
12	3450560	E-Ring, 7/16"		4151472	Door Hinge Assy, Top; LH
13	4151241	Door Hinge, Bot; RH	44	6200390	Screw, #6 x 3/8" T25 Flat Head PH
	4151242	Door Hinge, Bot; LH	45	0183720	Door Panel Backer, Freezer
14	6110540	Bolt, #10-24 x 1/2" Flat Socket HD	46	4131820	Door Assembly, Refrigerator, SS Framed
15	6200210	Screw, #8-32 x 1/2" Flat Head	47	4131830	Door Assembly, Freezer, SS Framed
16	3450570	Door Closer Cushion	48	4120580	Main Frame Assembly, Right Side
17	0165970	Door Closer Guide Support	49	4120590	Main Frame Assembly, Left Side
18	3421310	Door Closer Guide	50	2229701	Main Frame, Top
19	DS90	Door Stop-90 Degree	51	0167810	Kickplate, Stainless Steel
	DS105	Door Stop-105 Degree	52	6200050	Screw, #10-12 x 1/2" Pan HD
20	3421260	Door Closer Bearing	53	6200010	Screw, #10-12 x 3/4" Pan HD
21	3450550	E-Ring / Klipring , 5/16"	54	2210701	Main Frame Angle
22	2229404	Door Trim, Freezer, Bottom - Square Corner	55	6200210	Screw, #8-32 x 1/2" Flat Head
23	4202510	Replacement Trim Cap Components			
24	3511190	Handle Standoff, 1"D			
25	3511160	SS Door Handle, 1"Dia x 63-7/8"			

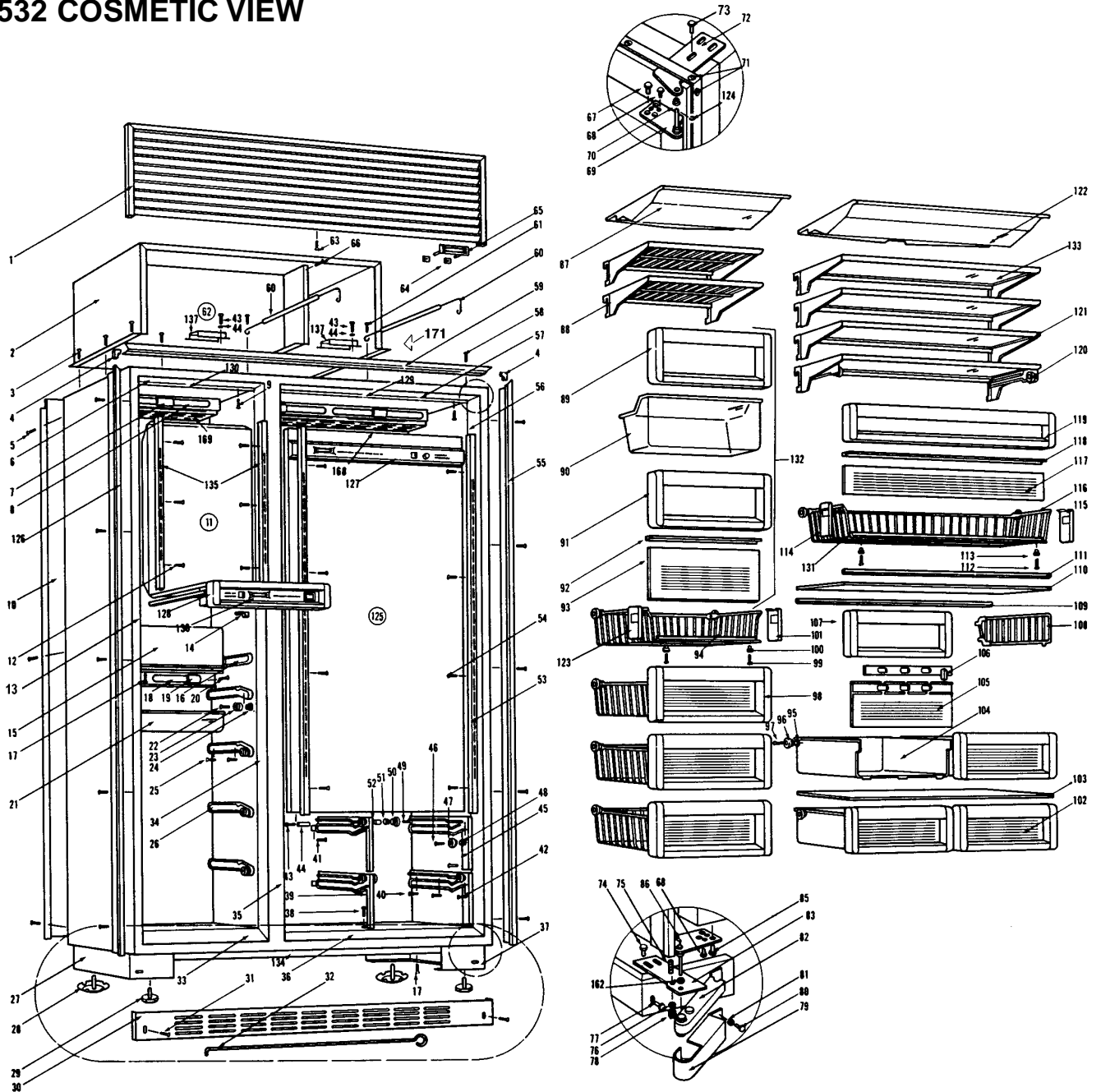
532 STAINLESS STEEL EXTERNAL COSMETIC/DOOR VIEW



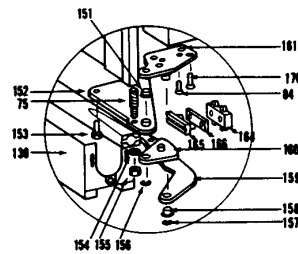
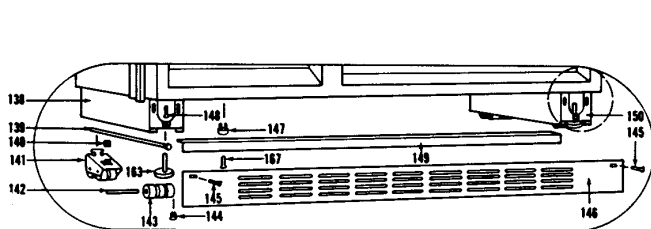
532 COSMETIC VIEW

Ref.	Part No.	Description	Ref.	Part No.	Description
1	LG4811	Louvered Grille, 48 x 11	85	6110010	Bolt, #10-24 x 1/2" Flat Head UC
2	4280440	Unit Shroud Assembly	86	3540420	Door Hinge w/Pin, Bottom RH
3	6200230	Screw, #8-18 x 1/2" Hex Head		3540430	Door Hinge w/Pin, Bottom LH
4	2210701	Main Frame Angle	87	4200790	Light Diffuser Replacement Components; Fre
5	6200230	Screw, #8-18 x 1/2" Hex Head	88	3600830	Wire Shelf
6	1807300	Breaker Strip, 6' Length - NOTE: Must be cut to length	89	3410820	Freezer Basket/IM Bucket Front
7	3050020	Light Socket, 3/4 Double	90	3411070	Ice Bucket
8	3030040	Light Bulb, Long/Narrow; 40 Watt	91	3410820	Freezer Basket/IM Bucket Front
9	6200140	Screw, #8-15 x 3/8" Truss HD	92	3600950	Drawer Glass Retainer
10	0164550	Back Cover and Shroud	93	3500260	Freezer Drawer Glass
11	0232880	Freezer Duct/Evaporator Cover	94	NLA	Freezer Basket - See 4180880
12	6200710	Screw, #8-18 x 3/8" Fillister HD	95	3430080	Roller Bushing
13	1807300	Breaker Strip, 6' Length - NOTE: Must be cut to length	96	3421110	Crisper Roller
14	6220350	Shelf Support	97	6200730	Screw, #10-16 x 3/4" PH Flat HD UC
15	4180830	Ice Bucket Carriage Assembly	98	4180880	Basket Assembly, Fre
16	3410931	Ice Bucket Slide, Right	99	6200700	Screw, #6-20 x 5/8" PH Flat HD SS
	3410932	Ice Bucket Slide, Left	100	6220320	Screw Grommet
17	6200010	Screw, #10-12 x 3/4" Pan HD	101	3410971	Freezer Basket Retainer, RS
18	3030040	Light Bulb, Long/Narrow; 40 Watt	102	4180900	Crisper Drawer Assembly
19	3050010	Light Socket, 3/4 Single	103	4151100	Crisper Tray Assembly
20	6200090	Screw, #8-15 x 1-3/4" Truss HD	104	3411021	Crisper Drawer
21	3500310	Lower Light Diffuser	105	3411041	Crisper Glass Front
22	6200730	Screw, #10-16 x 3/4" PH Flat HD UC	106	3411051	Vent Slide
23	3421160	Basket Slide Roller	107	3 411031	Crisper Drawer Front
	3421170	Freezer Basket Slide Roller, Wide	108	3411160	Ref Roll-Out Bskt Divider
24	3430080	Roller Bushing	109	1302000	Rear Crisper Seal
25	6200450	Screw, #8 x 1" Type AR Flat	110	4151070	Crisper Glass Assembly
26	4180971	Freezer Basket Slide Assy - Right	111	2301701	Front Crisper Seal
	4180972	Freezer Basket Slide Assy - Left	112	6200700	Screw, #6-20 x 5/8" PH Flat HD SS
27	4110032	Left Base Assembly	113	6220320	Screw Grommet
28	3570020	Rear Leveling Leg, #18-3/8 x 1-1/2"	114	3411002	Refrigerator Roll-Out Basket Retainer, LH
29	3570050	Leveling Leg, #18-3/8 x 1"	115	3411001	Refrigerator Roll-Out Basket Retainer, RH
30	0164810	Kickplate, 3.25 x 47.5 - Vented	116	4180860	Basket Assembly, Ref Roll-out
31	6200050	Screw, #10-12 x 1/2" Pan HD	117	3500290	Refrigerator Roll-Out Basket Glass
32	3570030	Leveling Rod, 26-3/4"	118	3600930	Refrigerator Roll-Out Basket Glass Retainer
33	1807300	Breaker Strip, 6' Length - NOTE: Must be cut to length	119	3410900	Refrigerator Roll-Out Basket Front
34	1807200	Breaker Strip, Mullion- 6' Length - NOTE: Must be cut to length	120	4180800	Shelf Assembly, Ref Roll-out Basket
35	1807200	Breaker Strip, Mullion- 6' Length - NOTE: Must be cut to length	121	4180770	Glass Shelf Assembly
36	1807300	Breaker Strip, 6' Length - NOTE: Must be cut to length	122	4200810	Light Diffuser/Fan Shroud Replacement Components; Ref
37	4110031	Right Base Assembly	123	3410972	Freezer Basket Retainer, LS
38	3550460	White Cap plug	124	3450270	E-Ring / Retaining Ring
39	4180940	Crisper Slide Assy; Center	125	0200710	Refrigerator Evaporator Cover
40	6200450	Screw, #8 x 1" Type AR Flat	126	4120490	Main Frame Extrusion, LS
41	6200140	Screw, #8-15 x 3/8" Truss HD	127	3012580	Control Panel, Ref
42	6200450	Screw, #8 x 1" Type AR Flat	128	3410950	Freezer Control Panel Frame
43	6200010	Screw, #10-12 x 3/4" Pan HD	129	0211390	Light Diffuser Retainer
44	6240050	Flat Washer, 5/16"	130	0232670	Light Diffuser Retainer, Fre
45	4180931	Crisper Slide Assy, RS	131	NLA	Refrigerator Roll-Out Basket - See 4180860
	4180932	Crisper Slide Assy, LS	132	4180980	Ice Bucket Assembly
46	6200730	Screw, #10-16 x 3/4" PH Flat HD UC	133	NLA	Refrigerator Shelf Glass - See 4180770
47	3421110	Crisper Roller	134	0164870	Kickplate Support
48	3430080	Roller Bushing	135	3601111	Freezer Shelf Ladder RS
49	6200740	Screw, #10-32 x 11/16" PH Flat HD UC		3601112	Freezer Shelf Ladder LS
50	3421100	Crisper Roller	136	3012660	Control Panel, Fre
51	3430080	Roller Bushing	137	0165760	Switch Enclosure
52	3550450	Hex Insert	138	4110333	Base Assembly (w/rollers) - Right or Left
53	3601081	Cabinet Shelf Ladder RS	139	6110520	Adjusting Screw
	3601082	Cabinet Shelf Ladder LS	140	6150670	J-Nut, #10-24
54	6200710	Screw, #8-18 x 3/8" Fillister HD	141	4110331	Base Rear Roller Assy
55	4120460	Main Frame Extrusion, RS	142	3550560	Straight Pin, Base Assy - .312" x 2.88"
56	1807300	Breaker Strip, 6' Length - NOTE: Must be cut to length	143	3421240	Cabinet Roller
57	1807300	Breaker Strip, 6' Length - NOTE: Must be cut to length	144	3450620	Canoe Clip
58	6200010	Screw, #10-12 x 3/4" Pan HD	145	6200050	Screw, #10-12 x 1/2" Pan HD
59	2225701	Top Main Frame	146	0166160	Kickplate, Vented
60	3450120	Grille Spring, 1/4" x 9-5/8"	147	0166020	Kickplate, Black-Solid
61	6200010	Screw, #10-12 x 3/4" Pan HD	148	6220050	Screw Grommet, 1/2" x 5/8"
62	4280210	Compressor Shroud Assy	149	6200010	Screw, #10-12 x 3/4" Pan HD
63	6200770	Screw, #6-32 x 3/4" Pan HD	150	0166050	Kickplate Support
64	6150140	Spring Grip Nut, 1/8"	151	4110333	Base Assembly (w/rollers) - Right or Left
65	3580110	Nameplate	152	3421270	Hinge Bearing, 3/8" x 5/8"
66	6200060	Screw, #8-32 x 1/2" Pan HD		4151221	Cabinet Hinge, Bottom; RH
67	6110010	Bolt, #10-24 x 1/2" Flat Head UC	153	4151222	Cabinet Hinge, Bottom; LH
68	6200390	Screw, #6 x 3/8" T25 Flat Head PH	154	6110070	Bolt, 1/4-20 x 3/4" Spinlock Zinc
69	3540340	Door Hinge, Top RH	155	6240070	Lock Washer, 1/4" SS
	3540350	Door Hinge, Top LH	156	6150200	Nut, 1/4-20 Hex
70	3420070	Hinge Bearing	157	3450560	E-Ring, 7/16"
71	6200070	Screw, #4-24 x 3/8" Flat HD	158	3450550	E-Ring / Klipping, 5/16"
72	0182560	Cabinet Hinge, Top	159	3421260	Door Closer Bearing
73	6110070	Bolt, 1/4-20 x 3/4" Spinlock Zinc		4201111	Door Closer Assembly, RH
74	6110070	Bolt, 1/4-20 x 3/4" Spinlock Zinc		42 01112	Door Closer Assembly, LH
75	3550190	Bottom Hinge Stud	160	DS90	Door Stop-90 Degree
76	6240070	Lock Washer, 1/4" SS		DS105	Door Stop-105 Degree
77	6150200	Nut, 1/4-20 Hex	161	4151241	Door Hinge, Bot; RH
78	0180271	Door Closer Cover, RS		4151242	Door Hinge, Bot; LH
79	0180272	Door Closer Cover, LS	162	6240160	Nylon Washer, 5/8 x .380 x 1/16"
80	6200010	Screw, #10-12 x 3/4" Pan HD	163	3570050	Leveling Leg, #18-3/8 x 1"
81	6240060	Star Washer, 1/4"	164	3450570	Door Closer Cushion
82	3540270	Door Closer	165	3421310	Door Closer Guide
83	3540410	Cabinet Hinge, Bottom RH & LH	166	0165970	Door Closer Support
84	6200210	Screw, #8-32 x 1/2" Flat Head	167	6200010	Screw, #10-12 x 3/4" Pan HD
			168	4200810	Light Diffuser/Fan Shroud Replacement Components; Ref
			169	4200790	Light Diffuser Replacement Components; Fre
			170	6110540	Bolt, #10-24 x 1/2" Flat Socket HD
			171	3450520	Grille Hook

532 COSMETIC VIEW



Use prior to Serial No. M824753/P827403

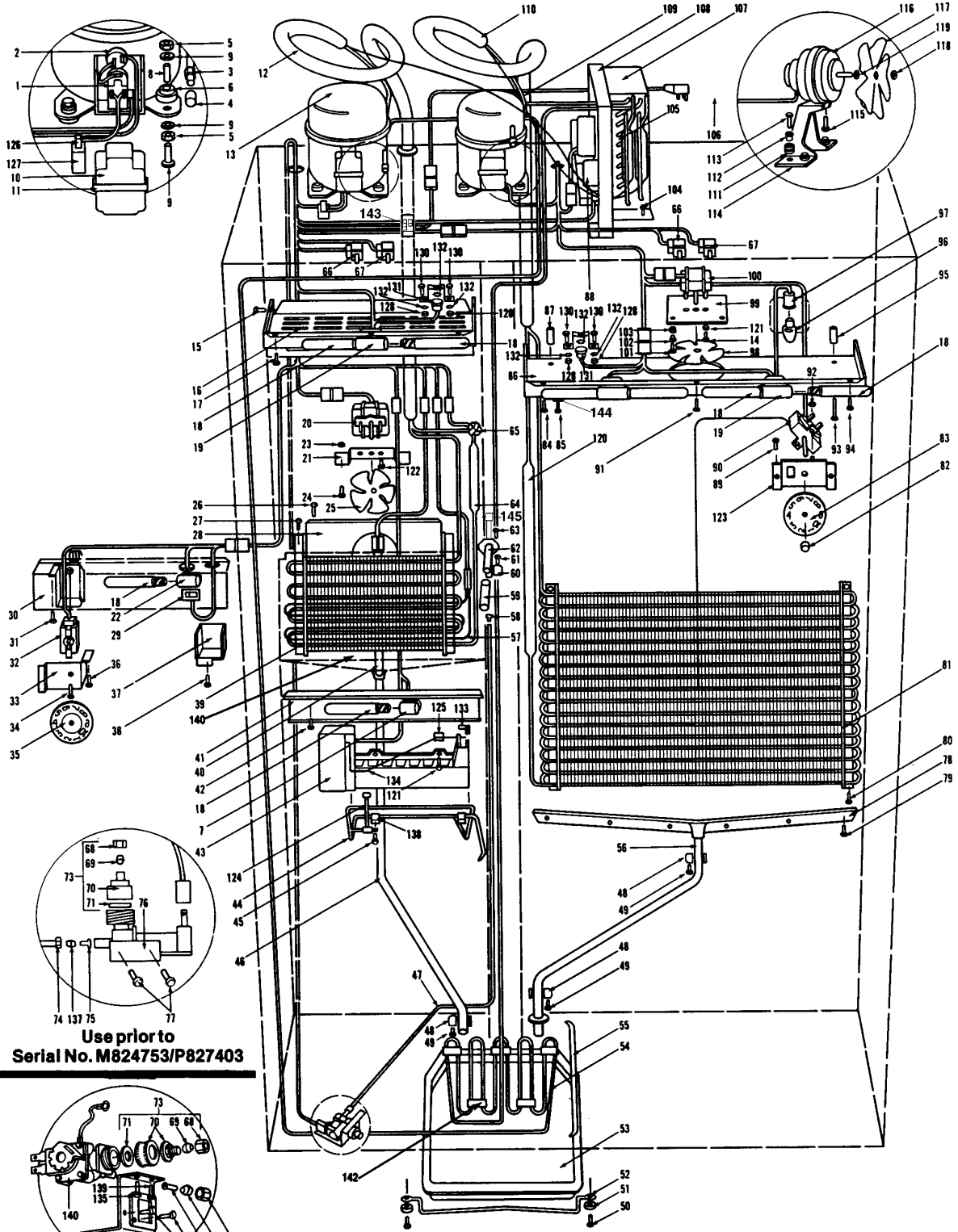


Use after Serial No. M824754/P827404

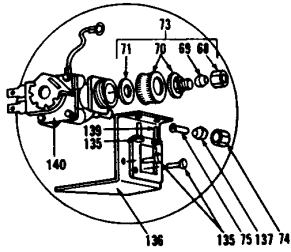
532 SEALED SYSTEM VIEW

Ref.	Part No.	Description	Ref.	Part No.	Description
1	****	Start Relay, Refrigerator	71	3210030	Solenoid Gasket
	****	Start Relay, Freezer	73	3520110	Water Inlet Fitting Assembly
2	****	Overload, Refrigerator	74	3520030	Icemaker Nylon Nut, 1/4"
	****	Overload, Freezer	75	3520050	Brass Insert, Solenoid
3	3090010	Compressor Base Valve - fits on 5/16"OD tubing - NOTE: Also see 3090100, 3090210, 3090220	76	4201440	Water Solenoid Valve
4	NLA	Valve Cap - See 3090010; 3090100; 3090210; 3090220.	77	6200060	Screw, #8-32 x 1/2" Pan HD
5	6150220	Nut, 5/16-18 Hex Zinc	78	4190160	Drain Trough Assembly
6	3150010	Rubber Grommet, Small, 5/8"	79	6200140	Screw, #8-15 x 3/8" Truss HD
	3150170	Rubber Grommet, Large, 15/16"	80	6200140	Screw, #8-15 x 3/8" Truss HD
7	3050010	Light Socket, 3/4 Single	81	3130260	Evaporator, Refrig.
8	6160030	Spacer, 5/16 x 7/16 x 5/8"	82	3012560	Control Knob
	6160070	Sleeve, 5/16 x 7/16 x 7/8"	83	3012810	Control Indicator
9	6240050	Flat Washer, 5/16"	84	6200140	Screw, #8-15 x 3/8" Truss HD
10	****	Compressor Cap	85	6200130	Screw, #8-18 x 3/4" Truss HD
11	****	Compressor Cap Strap	86	4160450	Fan Shroud Assembly, Ref
12	4250970	Heat Exchanger, Freezer	87	6220340	Screw Grommet / Stand-off
13	4201400	Service Freezer Compressor	88	3081180	Service Defrost Timer, 6Hr / 21Min
14	6110270	Bolt, #10-32 x 1/4" RD HD	89	6180010	Pop Rivet, 1/8"
15	6220190	Support, .275 x .750"	90	4201260	Control, Refrig
16	4160540	Freezer Duct Grille Assembly	91	6200140	Screw, #8-15 x 3/8" Truss HD
17	6200140	Screw, #8-15 x 3/8" Truss HD	92	6150320	Nut-Pal, #8-32
18	3030040	Light Bulb, Long/Narrow; 40 Watt	93	6200090	Screw, #8-15 x 1-3/4" Truss HD
19	3050020	Light Socket, 3/4 Double	94	6200140	Screw, #8-15 x 3/8" Truss HD
20	4200160	Freezer Fan Motor Replacement Components	95	6220340	Screw Grommet / Stand-off
21	0232770	Fan Bracket, Fre.	96	3030070	Light Bulb, 7W
22	3050060	Lamp Holder w/leads	97	3050070	Light Socket
23	6150030	Nut, #10-24 Hex SS	98	3150210	Fan Blade, Ref Evap
24	6110020	Bolt, #10-24 x 3/8" Truss HD	99	0211620	Refrigerator Fan Bracket
25	3150060	Fan Blade; Freezer; 5 prop; 5-1/2"	100	4200170	Refrigerator Fan Motor Replacement Components
26	6200120	Screw, #10-12 x 1/2" Truss HD	101	6200130	Screw, #8-18 x 3/4" Truss HD
27	6200120	Screw, #10-12 x 1/2" Truss HD	102	3520120	Brass Insert, Fan Bracket
28	0232720	Fan Shroud, Fre	103	3220250	Grommet, 3/16" x 7/16" x 9/32"
29	3060170	Icemaker Switch	104	6200010	Screw, #10-12 x 3/4" Pan HD
30	0232780	Shelf Front, Fre	105	3014230	Filter-Drier, High Side
31	6200140	Screw, #8-15 x 3/8" Truss HD	106	4321820	Power Cord
32	3012670	Control, Fre	107	3120201	Dual Condenser
33	0232730	Control Box	108	4280410	Fan Shroud Assembly
34	6110050	Bolt, #8-32 x 3/8" Truss HD	109	4201670	Service Refrigerator Compressor
35	3012640	Control Dial, Fre	110	4250960	Heat Exchanger, Refrigerator
36	6200140	Screw, #8-15 x 3/8" Truss HD	111	3220160	Grommet, 3/16" x 7/16" x 9/32"
37	0232740	Switch Box	112	3520120	Brass Insert, Fan Bracket
38	6200120	Screw, #10-12 x 1/2" Truss HD	113	6200280	Screw, #8-18 x 1" Pan Head
39	3130200	Evaporator Coil, Fre	114	1801700	Fan Bracket, Condenser
40	3013540	Drain Tube Heater	115	6200490	Screw, #8-32 x 3/8" Slotted Hex T25
41	0232710	Freezer Lower Light Bracket	116	4200740	Condenser Fan Motor Replacement Components
42	3030040	Light Bulb, Long/Narrow; 40 watt	117	3150320	Fan Blade, Cond, 5 prop, 7"
43	4200520	Complete Modular Icemaker Assembly	118	6150410	Nut, 1/4-20
	628366	Modular Head	119	3210340	Neoprene Silencer, 7/8"
44	3421220	Icemaker Control Arm	120	3011030	Refrigerator Accumulator, 7/8 x 15-5/8
45	6200140	Screw, #8-15 x 3/8" Truss HD	121	6200120	Screw, #10-12 x 1/2" Truss HD
46	1601400	Drain Tube, Wire - 1/2" x 72"	122	6110270	Bolt, #10-32 x 1/4" RD HD
47	2600617	Plastic Water Line	123	4151040	Control Bracket Assy
48	6120210	U-Clamp, 5/8"	124	3421070	Connecting Rod
49	6200010	Screw, #10-12 x 3/4" Pan HD	125	6220220	Screw Grommet, 1/32 x 3/8" SQ
50	6200440	Screw, #10-16 x 11/16" Type B Flat Head	126	4324110	Run Capacitor Wiring Harness
51	3420670	Screw Spacer	127	****	Run Capacitor
52	3420760	Drain Pan Holder	128	6150160	Nut, #8-32 Hex
53	0164940	Drain Pan, Plastic	130	6110050	Bolt, #8-32 x 3/8" Truss HD
54	2604101	Condensate Heater Loop	131	4200850	Light Terminator
55	6230370	Adhesive Back Foam Strip, 1 x 1/2 x 15"	132	6240020	Star Washer, 3/16"
56	1601400	Drain Tube, Wire - 1/2" x 72"	133	3450080	Icemaker Tube Clip, 1/2" x 13/16"
57	4322130	Defrost Heater Assembly	134	3140200	Icemaker Shut-off Arm
58	3520050	Brass Insert, Solenoid	135	6200010	Screw, #10-12 x 3/4" Pan HD
59	2605401	Extension Tube	136	0166190	Solenoid Bracket
60	6120120	Tube Clamp, 3/8" Stl w/nut	137	NLA	Solenoid Hose Fitting - See 3520110
61	6200330	Screw, #8-18 x 3/8" Pan Head	138	6120280	Tube Clamp, Nylon, 3/16"
62	1600800	Water Inlet Tube, 6"	139	6200060	Screw, #8-32 x 1/2" Pan HD
63	6200230	Screw, #8-18 x 1/2" Hex Head	140	4201450	Water Solenoid Valve
64	3011130	Freezer Accumulator	141	4151120	Freezer Evap Cover/Drain Trough Assy.
65	3082060	Defrost Terminator	142	6220210	Stand-off Heater Clip
66	3060140	SPST Light Switch	143	3081120	Fan Control Relay
67	3060130	SPST Fan/Icemaker Switch	144	6220330	Plastic Support
68	NLA	Compression Nut - See 3520110	145	4202170	Fill Tube Heater Assy.
69	NLA	Ball Sleeve - See 3520110			
70	NLA	Water Valve Fitting - See 3520110			

532 SEALED SYSTEM VIEW



**Use prior to
Serial No. M824753/P827403**

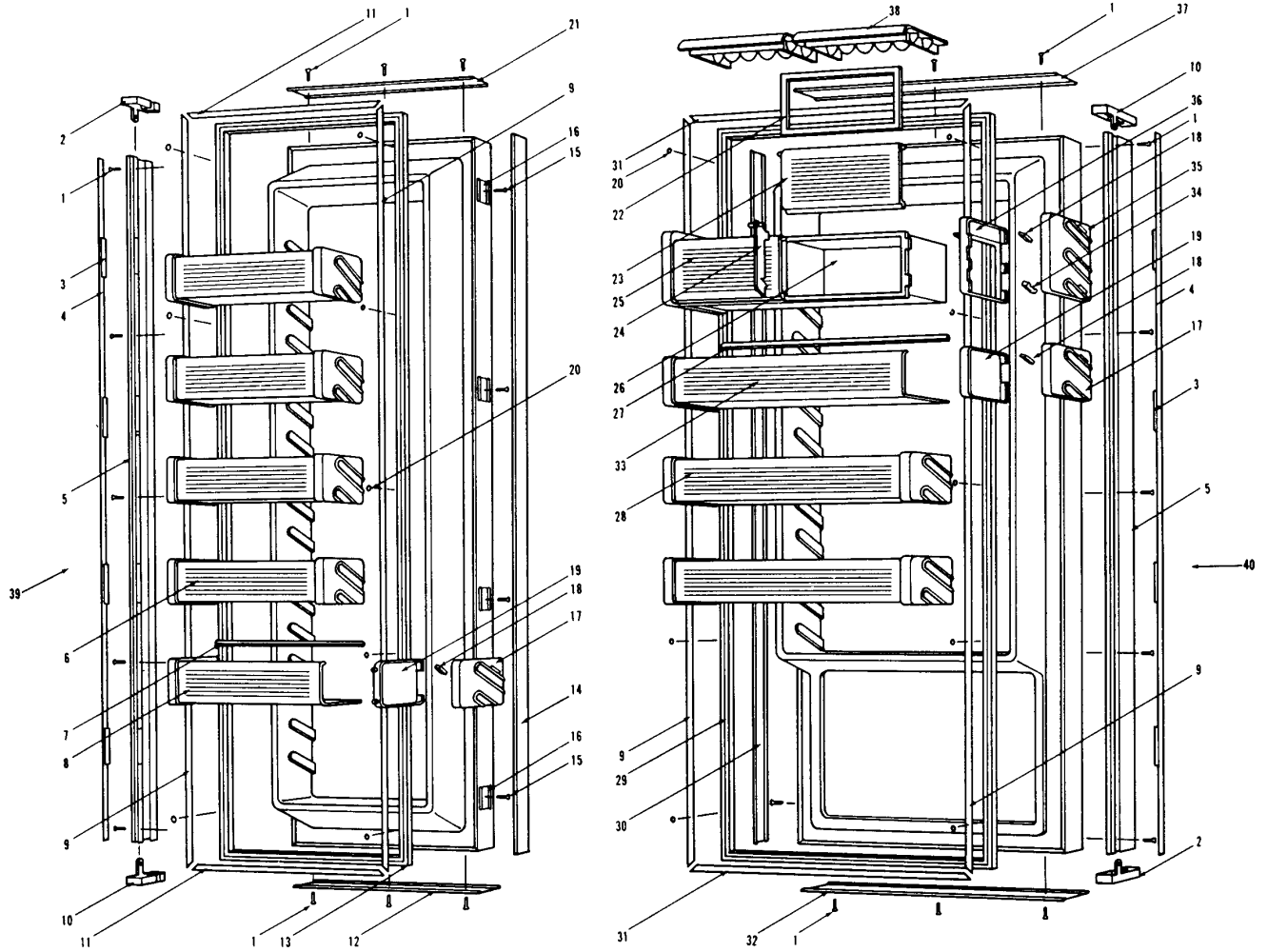


**Use after
Serial No. M824754/P827404**

542 DOOR VIEW

Ref.	Part No.	Description	Ref.	Part No.	Description
1	6200720	Screw, #8-18 x 1/2 PH Truss HD	21	2225416	Door Trim, Freezer Top
2	4200490	Standard Handle End Cap Replacement Components	22	3211310	Dairy Compartment Seal
	4200700	Extended Handle End Cap Replacement Components	23	3515910	Dairy Door
3	3450450	Molding Magnet - 3"	24	3421060	Dairy Compartment Center Divider
4	4130970	Handle Molding Assembly	25	4330390	Dairy Compartment Assembly
5	4130910	Door Handle Assembly	26	3601230	Dairy Compartment
	EH561	Extended Handle Assembly Set	27	3510940	Door Shelf Support, Refrigerator
6	4330440	Door Shelf Assembly, Freezer	28	4330380	Door Shelf Assembly, Refrigerator, 17"
7	3511200	Door Shelf Support, Freezer	29	3211660	Door Gasket, Refrigerator
8	3601800	Door Shelf Tray, Freezer	30	2225201	Door Trim, Side; Ref RS/Fre LS
9	3420260	Gasket Retainer, 66.875"	31	3421620	Gasket Retainer, Top & Bot Ref, 23.125"
10	4200490	Standard Handle End Cap Replacement Components	32	2225419	Door Trim, Refrigerator Bottom
	4200700	Extended Handle End Cap Replacement Components	33	3601240	Door Shelf Tray, Refrigerator
11	3421610	Gasket Retainer, Top & Bot Fre, 13.813"	34	3550490	Dairy Compartment Retainer
12	2225417	Door Trim, Freezer Bottom	35	3600851	Dairy Compartment Outer End Cap; RS
13	3211670	Door Gasket, Freezer		3600852	Dairy Compartment Outer End Cap; LS
14	2225201	Door Trim, Side; Ref RS/Fre LS	36	3600891	Dairy Compartment Inner End Cap RS
15	6180040	Pop Rivet, 3/16x1/8 Grip		3600892	Dairy Compartment Inner End Cap LS
16	3450460	Door Trim Clip	37	2225418	Door Trim, Refrigerator Top
17	3600751	Door Shelf Outer End Cap RS	38	3411490	Egg Tray
	3600752	Door Shelf Outer End Cap LS	39	4131930	Door Assembly, Freezer
18	3550440	Door Shelf Retainer	40	4131920	Door Assembly, Refrigerator
19	3600761	Door Shelf Inner End Cap RS	41	4200940	Switch Depressor
	3600762	Door Shelf Inner End Cap LS			
20	6200410	Screw, #8 x 1/2" Slot Head Hex			

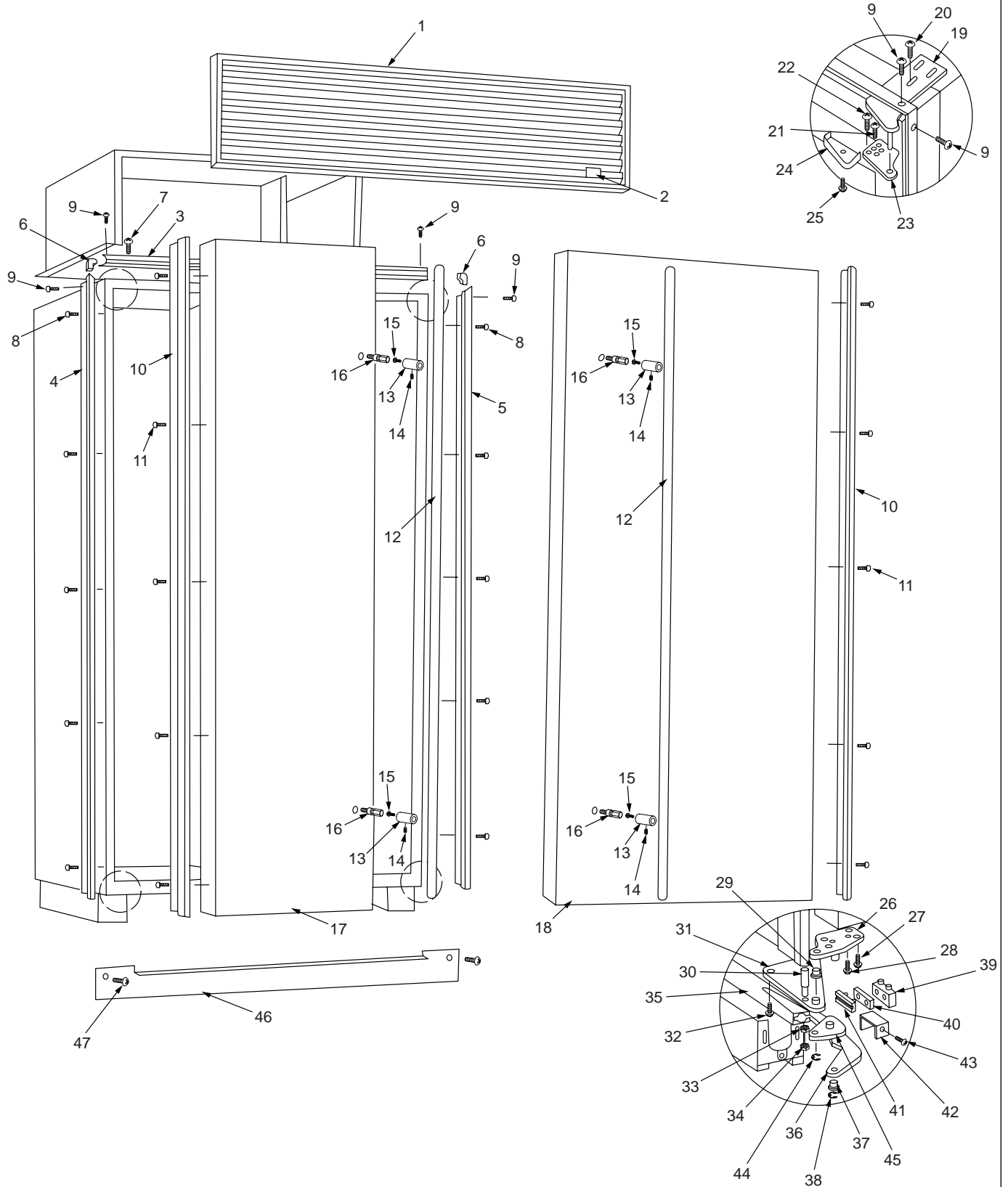
542 DOOR VIEW



542 STAINLESS STEEL EXTERNAL COSMETIC/DOOR VIEW

Ref.	Part No.	Description	Ref.	Part No.	Description
1	SS4211	Grille assembly, Stainless Steel - 42x11	25	6200720	Screw, #8-18 x 1/2 PH Truss HD
2	3580200	Name Plate	26	4151241	Door Hinge, Bot; RH
3	2229620	Main Frame, Top	27	6110540	Bolt, #10-24 x 1/2" Flat Socket HD
4	4120590	Main Frame Assembly, Left Side	28	6200390	Screw, #6 x 3/8" T25 Flat Head PH
5	4120580	Main Frame Assembly, Right Side	29	3421270	Hinge Bearing, 3/8" x 5/8"
6	2210701	Main Frame Angle	30	3550190	Bottom Hinge Stud
7	6200010	Screw, #10-12 x 3/4" Pan HD	31	4151281	Cabinet Hinge Assembly, Lower; RH
8	6200210	Screw, #8-32 x 1/2" Flat Head	32	6110070	Bolt, 1/4-20 x 3/4" Spinlock Zinc
9	6200070	Screw, #4-24 x 3/8" Flat HD	33	6240070	Lock Washer, 1/4" SS
10	3511130	Door Trim, Hinge Side - Square Corner	34	6150200	Nut, 1/4-20 Hex
11	6200720	Screw, #8-18 x 1/2 PH Truss HD	35	3421300	Door Closer Housing
12	3511160	SS Door Handle, 1"Dia x 63-7/8"		3421290	Door Closer Linkage
	4132190	Door Handle Assy, 1"Dia x 63-7/8"		3450530	Door Closer Spring (Standard)
13	3511320	Handle Stand-off 1"D		3450710	Low Pull Spring
14	6110730	Set Screw #10-32x1/4 SS, Cone-3/32"	36	0165980	Door Closer Spring Retainer
15	6110540	Bolt, #10-24 x 1/2" Flat Socket HD		0183111	Door Closer Arm - RH
16	3511330	Handle Mounting Stud		4200111	Door Closer Assembly, RH
17	4132140	Door Assembly, Freezer, SS		0183112	Door Closer Arm - LH
18	4132130	Door Assembly, Refrigerator, SS		4201112	Door Closer Assembly, LH
19	4151271	Cabinet Hinge Assembly, Upper; RH	37	3421260	Door Closer Bearing
	4151272	Cabinet Hinge Assembly, Upper; LH	38	3450550	E-Ring / Klipring , 5/16"
20	6110070	Bolt, 1/4-20 x 3/4" Spinlock Zinc	39	3450570	Door Closer Cushion
21	6200390	Screw, #6 x 3/8" T25 Flat Head PH	40	165970	Door Closer Guide Support
22	6110540	Bolt, #10-24 x 1/2" Flat Socket HD	41	3421310	Door Closer Guide
23	4151471	Door Hinge Assy, Top; RH	42	0166360	Door Closer Cushion Retainer
	4151472	Door Hinge Assy, Top; LH	43	6180010	Pop Rivet, 1/8"
24	3541017	Top Cabinet Hinge Cover, RH	44	3450560	E-Ring, 7/16"
	3541018	Top Cabinet Hinge Cover, LH	45	DS90	Door Stop-90 Degree
				DS105	Door Stop-105 Degree
			46	0168210	Kickplate, Stainless Steel
			47	6200720	Screw, #8-18 x 1/2 PH Truss HD

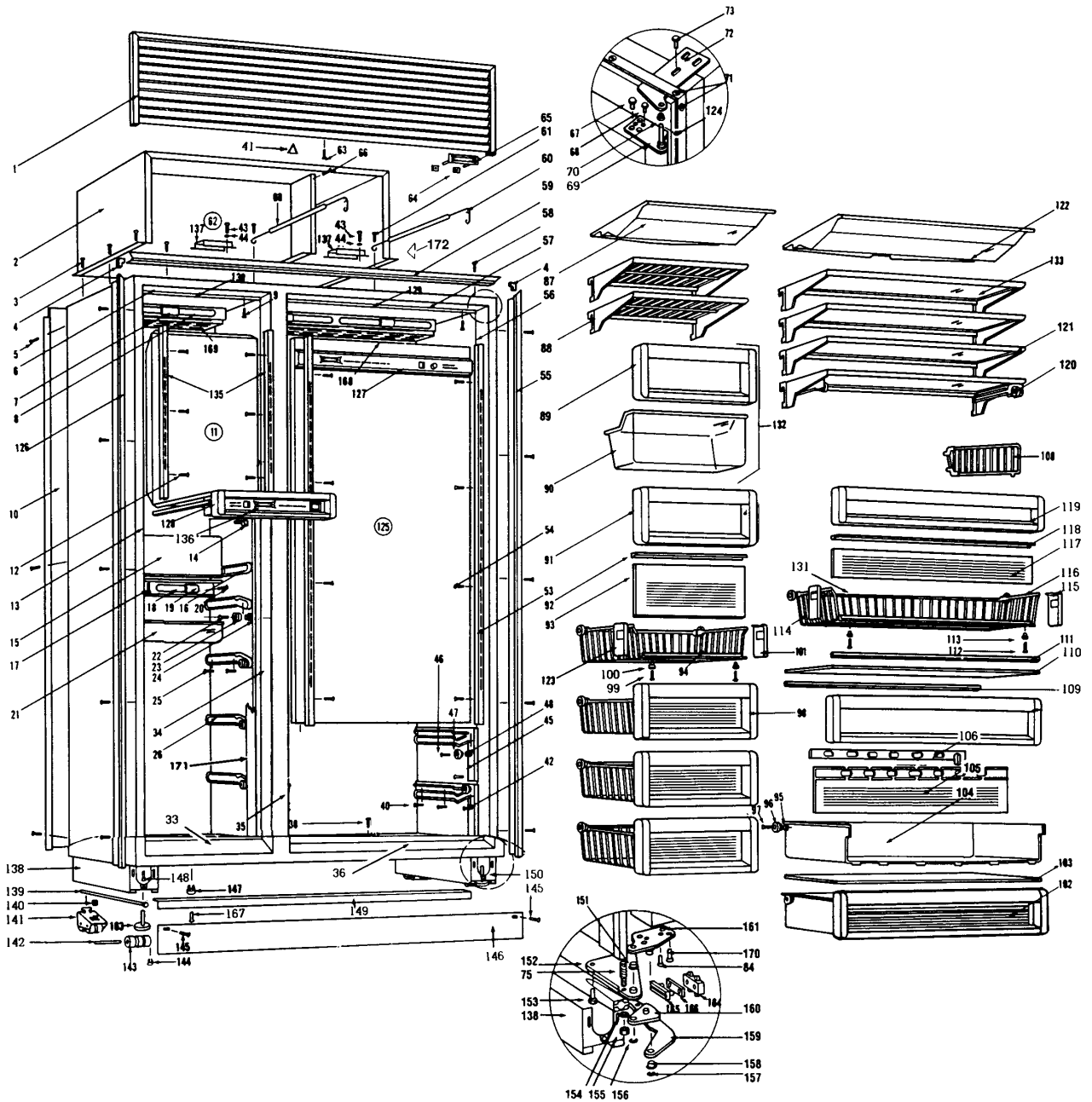
542 STAINLESS STEEL EXTERNAL COSMETIC/DOOR VIEW



542 COSMETIC VIEW

Ref.	Part No.	Description	Ref.	Part No.	Description
1	LG4211	Louvered Grille, 42 x 1 1	97	6200730	Screw, #10-16 x 3/4" PH Flat HD UC
2	4280591	Unit Shroud Assembly	98	4180890	Basket Assembly, Fre
3	6200230	Screw, #8-18 x 1/2" Hex Head+C2	99	6200700	Screw, #6-20 x 5/8" PH Flat HD SS
4	2210701	Main Frame Angle	100	6220320	Screw Grommet
5	6201060	Screw, #8x1-1/4" PH FLAT TAP	101	3410971	Freezer Basket Retainer, RS
6	2811219	Breaker Strip, Fre Top	102	4181380	Crisper Drawer Assembly
7	3050020	Light Socket, 3/4 Double	103	4151730	Crisper Tray Assembly
8	3030040	Light Bulb, Long/Narrow; 40 Watt	104	3412460	Crisper Drawer
9	6200140	Screw, #8-15 x 3/8" Truss HD	105	3412480	Crisper Glass Front
10	0167060	Back Duct	106	3411052	Vent Slide
11	0233760	Freezer Duct/Evaporator Cover	107	3412470	Crisper Drawer Front
12	6200710	Screw, #8-18 x 3/8" Fillister HD	108	3411160	Ref Roll-Out Bskt Divider
13	2811205	Breaker Strip,Side; Fre/LS, Ref/RS	109	1302110	Rear Crisper Seal
14	6220350	Shelf Support	110	4151720	Crisper Glass Assembly
15	4180840	Ice Bucket Carriage Assembly	111	2301710	Front Crisper Seal
16	2808801	Ice Bucket Slide, RH	112	6200700	Screw, #6-20 x 5/8" PH Flat HD SS
	2808802	Ice Bucket Slide, LH	113	6220320	Screw Grommet
17	6200010	Screw, #10-12 x 3/4" Pan HD	114	3411002	Refrigerator Roll-Out Basket Retainer, LH
18	3030040	Light Bulb, Long/Narrow; 40 Watt	115	3411001	Refrigerator Roll-Out Basket Retainer, RH
19	3050010	Light Socket, 3/4 Single	116	4181370	Basket Assembly, Refrigerator Roll-out
20	6200090	Screw, #8-15 x 1-3/4" Truss HD	117	3500420	Refrigerator Roll-out Basket Glass
21	3500320	Lower Light diffuser	118	3601490	Refrigerator Roll-out Basket Glass Retainer
22	6200730	Screw, #10-16 x 3/4" PH Flat HD UC	119	3412500	Refrigerator Roll-out Basket Front
23	3421160	Basket Slide Roller	120	4181360	Shelf Assembly, Ref Roll-out Basket
	3421170	Freezer Basket Slide Roller, Wide	121	4181350	Glass Shelf Assembly
24	3430080	Roller Bushing	122	0212050	Light Diffuser, Refrigerator
25	6200450	Screw, #8 x 1" Type AR Flat	123	3410972	Freezer Basket Retainer, LS
26	4180971	Freezer Basket Slide Assy - Right	124	3450270	E-Ring / Retaining Ring
	4180972	Freezer Basket Slide Assy - Left	125	0200820	Refrigerator Cold Plate / Evaporator Cover
33	2811220	Breaker Strip, Fre Bottom	126	4120490	Main Frame Extrusion, LS
34	1811300	Breaker Strip, Mullion	127	3015020	Control Panel, Refrig.
35	1811300	Breaker Strip, Mullion	128	3411090	Freezer Control Panel Frame
36	2811218	Breaker Strip, Ref Bottom	129	0212040	Light Diffuser Retainer, Refrigerator
38	3550460	White Cap plug	130	0233780	Light Diffuser Retainer, Freezer
40	6200450	Screw, #8 x 1" Type AR Flat	131	NLA	Refrigerator Roll-Out Basket - See 4181370
41	3450520	Grille Hook	132	4181000	Ice Bucket Assembly
42	6200450	Screw, #8 x 1" Type AR Flat	133	NLA	Refrigerator Shelf Glass - See 4181350
43	6200010	Screw, #10-12 x 3/4" Pan HD	135	3601461	Freezer Shelf Ladder - Right
44	6240020	Star Washer, 3/16"		3601462	Freezer Shelf Ladder - Left
45	4180931	Crisper Slide Assy, RS	136	3012700	Control Panel, Freezer
	4180932	Crisper Slide Assy, LS	137	0165760	Switch Enclosure
46	6200730	Screw, #10-16 x 3/4" PH Flat HD UC	138	4110353	Base Assy (w/rollers) - Right or Left
47	3421110	Crisper Roller; Narrow	139	6110580	Adjusting Screw
48	3430080	Roller Bushing	140	6150670	J-Nut, #10-24
53	3601521	Refrigerator Shelf Ladder - Right	141	4110331	Base Rear Roller Assembly
	3601522	Refrigerator Shelf Ladder - Left	142	3550560	Straight Pin, Base Assy - .312" x 2.88"
54	6200710	Screw, #8-18 x 3/8" Fillister HD	143	3421240	Cabinet Roller (3 per side)
55	4120460	Main Frame Extrusion, RS	144	3450620	Canoe Clip
56	2811205	Breaker Strip,Side; Fre/LS, Ref/RS	145	6200050	Screw, #10-12 x 1/2" Pan HD
57	2811217	Breaker Strip, Ref Top	146	0167890	Solid Kickplate, Black
58	6200010	Screw, #10-12 x 3/4" Pan HD	147	6220050	Screw Grommet, 1/2" x 5/8"
59	2225704	Top Main Frame	148	6200010	Screw, #10-12 x 3/4" Pan HD
60	3450120	Grille Spring, 1/4" x 9-5/8"	149	0167900	Kickplate Support
61	6200010	Screw, #10-12 x 3/4" Pan HD	150	4110353	Base Assy (w/rollers) - Right or Left
62	4280680	Compressor Shroud Assembly	151	3421270	Hinge Bearing, 3/8" x 5/8"
63	6200770	Screw, #6-32 x 3/4" Pan HD	152	4151221	Cabinet Hinge, Bottom; RH
64	6150140	Spring Grip Nut, 1/8"		4151222	Cabinet Hinge, Bottom; LH
65	3580110	Nameplate	153	6110070	Bolt, 1/4-20 x 3/4" Spinlock Zinc
66	6200060	Screw, #8-32 x 1/2" Pan HD	154	6240070	Lock Washer, 1/4" SS
67	6110540	Bolt, #10-24 x 1/2" Flat Socket HD	155	6150200	Nut, 1/4-20 Hex
68	6200390	Screw, #6 x 3/8" T25 Flat Head PH	156	3450560	E-Ring, 7/16"
69	3540340	Door Hinge, Top RH	157	3450550	E-Ring / Klipping , 5/16"
	3540350	Door Hinge, Top LH	158	3421260	Door Closer Bearing
70	3420070	Hinge Bearing	159	4201111	Door Closer Assembly, RH
71	6200070	Screw, #4-24 x 3/8" Flat HD		4201112	Door Closer Assembly, LH
72	0182560	Cabinet Hinge, Top	160	DS90	Door Stop-90 Degree
73	6110070	Bolt, 1/4-20 x 3/4" Spinlock Zinc		DS105	Door Stop-105 Degree
75	3550190	Bottom Hinge Stud	161	4151241	Door Hinge, Bot; RH
84	6200390	Screw, #6 x 3/8" T25 Flat Head PH		4151242	Door Hinge, Bot; LH
87	0212060	Light Diffuser, Freezer	163	3570050	Leveling Leg, Front
88	3601450	Wire Shelf, Freezer	164	3450570	Door Closer Cushion
89	3410830	Freezer Basket/IM Bucket Front	165	3421310	Door Closer Guide
90	3411080	Ice Bucket	166	0165970	Door closer Guide Support
91	3410830	Freezer Basket/IM Bucket Front	167	6200010	Screw, #10-12 x 3/4" Pan HD
92	3600960	Basket Glass Retainer	168	0212030	Ref Fan Guard
93	3500270	Freezer Basket Window	169	4160750	Freezer Duct Grille Assembly
94	NLA	Freezer Basket - See 4180890	170	6110540	Bolt, #10-24 x 1/2" Flat Socket HD
95	3430080	Roller Bushing	171	0233850	Freezer Side Filler Strip, Right
96	3421100	Crisper Roller, Narrow		0233860	Freezer Side Filler Strip, Left
	3421110	Crisper Roller	172	3450520	Grille Hook

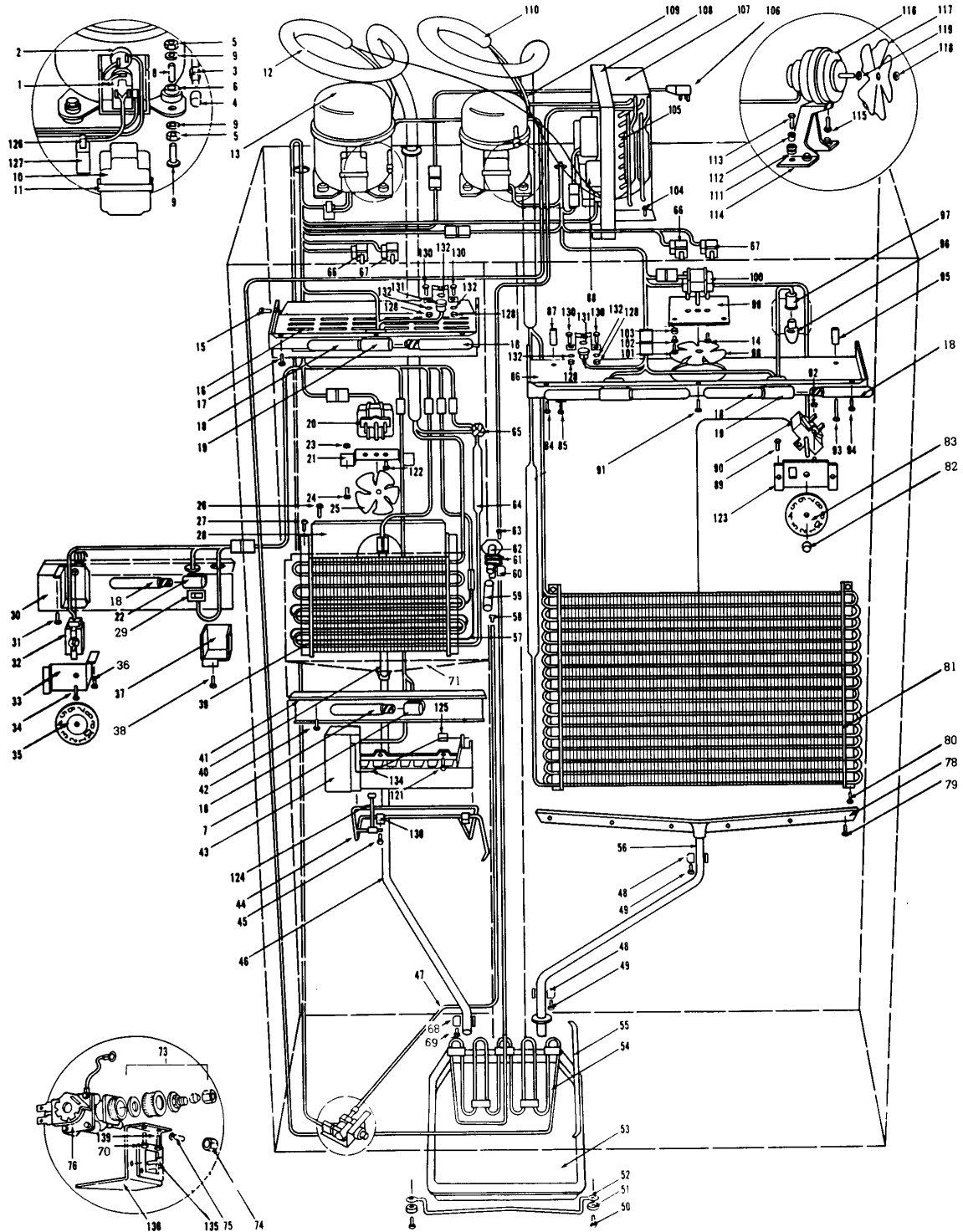
542 COSMETIC VIEW



542 SEALED SYSTEM VIEW

Ref.	Part No.	Description	Ref.	Part No.	Description
1	****	Start Relay, (Refrigerator/Freezer)	66	3060140	SPST Light Switch
2	****	Overload, (Refrigerator/Freezer)	67	3060130	SPST Fan/Icemaker Switch
3	3090010	Compressor Base Valve - fits on 5/16"OD tubing - NOTE: Also see 3090100, 3090210, 3090220	68	6120210	U-Clamp, 5/8"
4	NLA	Valve Cap -See 3090010; 3090100; 3090210; 3090220	69	6200010	Screw, #10-12 x 3/4" Pan HD
	6150220	Nut, 5/16-18 Hex Zinc	70	0166200	Solenoid Retainer
6	3150010	Rubber Grommet, Small, 5/8"	71	4151740	Freezer Evap Cover/Drain Trough Assy.
	3150170	Rubber Grommet, Large, 15/16"	73	3520110	Water Inlet Fitting Assembly
7	3050010	Light Socket, 3/4 Single	74	3520030	Icemaker Nylon Nut, 1/4"
8	6160070	Sleeve, 5/16 x 7/16 x 7/8"	75	3520050	Brass Insert, Solenoid
9	6240050	Flat Washer, 5/16"	76	4201450	Water Solenoid Valve
10	****	Compressor Cap, (Refrigerator/Freezer)	78	4190240	Drain Trough Assembly
11	****	Compressor Strap, (Refrigerator/Freezer)	79	6200140	Screw, #8-15 x 3/8" Truss HD
12	4251400	Heat Exchanger, Freezer	80	6200140	Screw, #8-15 x 3/8" Truss HD
13	4202250	Service Compressor, Freezer	81	3130420	Evaporator, Refrigerator
14	6110270	Bolt, #10-32 x 1/4" RD HD	82	3012560	Control Knob
15	6220190	Support, .275 x .750"	83	3012810	Control Indicator
16	4160750	Freezer Duct Grille Assembly	84	6200140	Screw, #8-15 x 3/8" Truss HD
17	6200140	Screw, #8-15 x 3/8" Truss HD	85	6200130	Screw, #8-18 x 3/4" Truss HD
18	3030040	Light Bulb, Long Narrow - 40 Watt	86	4160740	Fan Shroud Assembly, Ref
19	3050020	Light Socket, 3/4 Double	87	6220340	Screw Grommet / Stand-off
20	4200160	Freezer Fan Motor Replacement Components	88	3081180	Service Defrost Timer, 6Hr / 21Min
21	0232770	Fan Bracket, Fre.	89	6180010	Pop Rivet, 1/8"
22	3050060	Lamp Holder W/Leads	90	4201260	Control, Refrigerator
23	6150030	Nut, #10-24 Hex SS	91	6200140	Screw, #8-15 x 3/8" Truss HD
24	6110020	Bolt, #10-24 x 3/8" Truss HD	92	6150320	Nut-Pal, #8-32
25	3150060	Fan Blade; Freezer; 5 prop; 5-1/2"	93	6200090	Screw, #8-15 x 1-3/4" Truss HD
26	6200120	Screw, #10-12 x 1/2" Truss HD	94	6200140	Screw, #8-15 x 3/8" Truss HD
27	6200120	Screw, #10-12 x 1/2" Truss HD	95	6220340	Screw Grommet / Stand-off
28	0233740	Fan Shroud, Freezer	96	3030070	Light Bulb, 7W
29	3060130	SPST Fan/Icemaker Switch	97	3050070	Light Socket
30	0233030	Shelf Front, Freezer	98	3150210	Fan Blade, Ref Evap
31	6200140	Screw, #8-15 x 3/8" Truss HD	99	0211620	Refrigerator Fan Bracket
32	3012742	Control, Freezer	100	4200170	Refrigerator Fan Motor Replacement Components
33	0233050	Control Box	101	6200130	Screw, #8-18 x 3/4" Truss HD
34	6110050	Bolt, #8-32 x 3/8" Truss HD	102	3520120	Brass Insert, Fan Bracket
35	3012640	Control Dial, Fre	103	3220250	Grommet, 3/16" x 7/16" x 9/32"
36	6200140	Screw, #8-15 x 3/8" Truss HD	104	6200010	Screw, #10-12 x 3/4" Pan HD
37	0232740	Switch Box	105	3014230	Filter-Drier, High Side
38	6200120	Screw, #10-12 x 1/2" Truss HD	106	4321820	Power Cord
39	3130430	Evaporator Coil, Fre	107	3120280	Dual Condenser
40	3013540	Drain Tube Heater	108	0166970	Condenser Fan Shroud
41	0233780	Light Diffuser Retainer, Freezer	109	4251240	Heat Exchanger, Refrigerator
42	6200170	Screw, #10-16 x 1-1/2" Pan Head	110	4201880	Service Compressor, Refrigerator
43	4200520	Complete Icemaker Assembly	111	3220160	Grommet, 3/16" x 7/16" x 9/32"
	628366	Module & Motor Assembly	112	3520120	Brass Insert, Fan Bracket
	3421630	Icemaker Control Arm	113	6200280	Screw, #8-18 x 1" Pan Head
44	6200140	Screw, #8-15 x 3/8" Truss HD	114	1801700	Fan Bracket, Condenser
45	1601400	Drain Tube, Wire - 1/2" x 72"	115	6200490	Screw, #8-32 x 3/8" Slotted Hex T25
46	2600617	Plastic Water Line	116	4200740	Condenser Fan Motor Replacement Components
47	6120050	Tube Clamp, Plastic, 5/8"	117	3150320	Fan Blade, Cond, 5 prop, 7"
48	6200140	Screw, #8-15 x 3/8" Truss HD	118	6150410	Nut, 1/4-20
49	6200440	Screw, #10-16 x 11/16" Type B Flat Head	119	3210340	Neoprene Silencer, 7/8"
50	3420670	Screw Spacer	121	6200120	Screw, #10-12 x 1/2" Truss HD
51	3420760	Drain Pan Holder	122	6110270	Bolt, #10-32 x 1/4" RD HD
52	0164940	Drain Pan, Plastic	123	4151040	Control Bracket Assembly
53	2600138	Drain Pan Heater Loop	124	3421070	Connecting Rod
54	6230370	Adhesive Back Foam Strip, 1 x 1/2 x 15'	125	6220220	Screw Grommet, 1/32 x 3/8" SQ
55	1601400	Drain Tube, Wire - 1/2" x 72"	126	4324110	Run Capacitor Wire Harness
56	4323820	Defrost Heater Assembly	127	****	Run Capacitor
57	3520050	Brass Insert, Solenoid	128	6150160	Nut, #8-32 Hex
58	3024110	Fill Tube Extension	130	6110050	Bolt, #8-32 x 3/8" Truss HD
59	6220470	Fill Tube Clamp	131	4200850	Light Terminator
60	3013820	Fill Tube Heater	132	6240020	Star Washer, 3/6"
61	1607700	Water Inlet Tube	134	3140200	Icemaker Shut-off Arm
62	6200230	Screw, #8-18 x 1/2" Hex Head	135	6200780	Screw, #10-24 x 1/2" PH Hex Washer
63	3011130	Freezer Accumulator	136	0166190	Solenoid Bracket
64	3082060	Defrost Terminator	138	6120280	Tube Clamp, Nylon, 3/16"
			139	6200060	Screw, #8-32 x 1/2" Pan HD

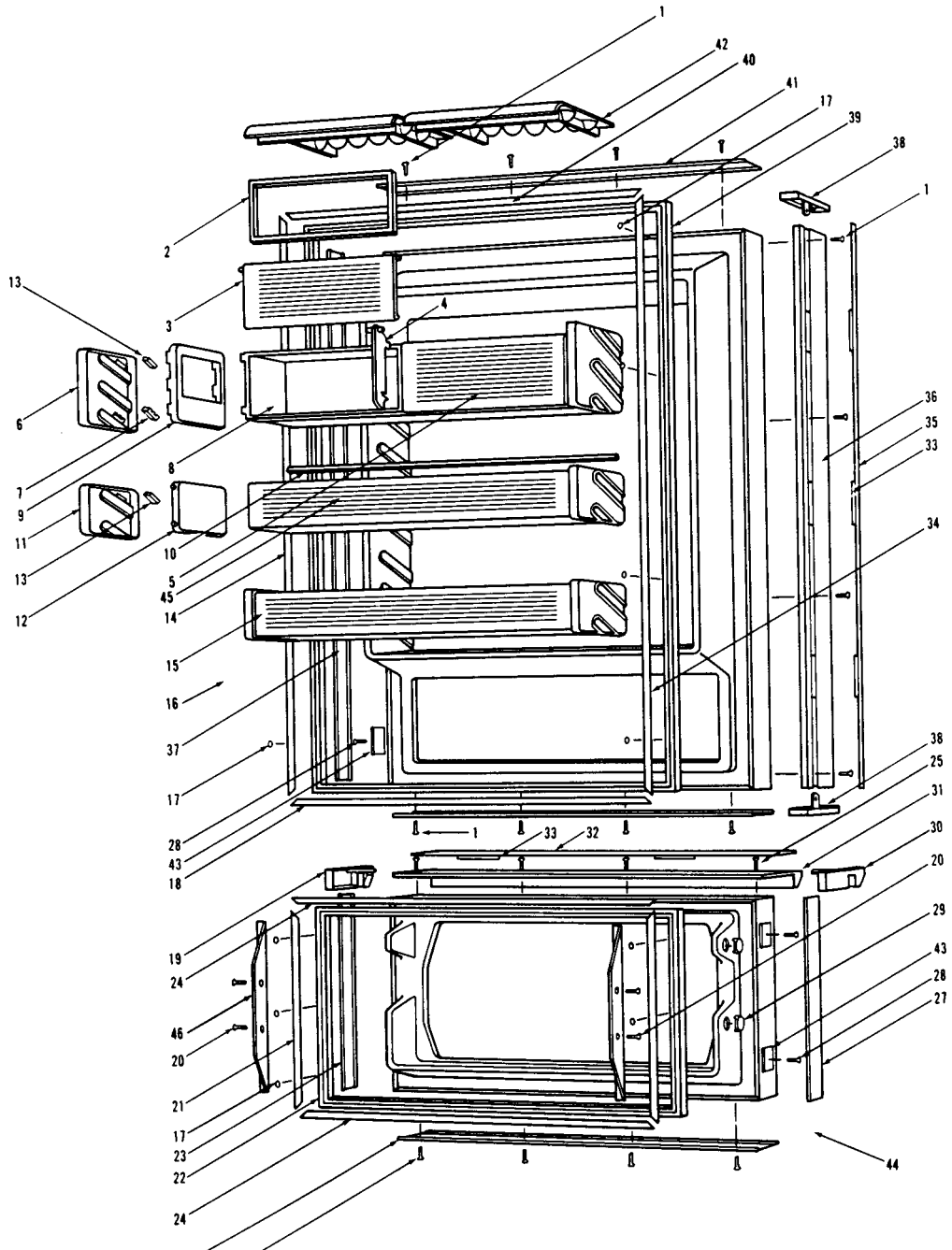
542 SEALED SYSTEM VIEW



550 DOOR VIEW

Ref.	Part No.	Description	Ref.	Part No.	Description
1	6200720	Screw, #8-18 x 1/2 PH Truss HD	23	2225303	Door Trim, Side Fre
2	3210710	Dairy Door Seal	24	3420220	Gasket Retainer, 33.312"
3	3515600	Diary Door	25	6200720	Screw, #8-18 x 1/2 PH Truss HD
4	3421060	Dairy Compartment Center Divider	26	2225401	Door Trim, Bottom
5	4330300	Dairy Compartment Assembly	27	2225202	Door Trim, Side; Fre RS
6	3600851	Dairy Compartment Outer End Cap; RS	28	6180040	Pop Rivet, 3/16x1/8 Grip
	3600852	Dairy Compartment Outer End Cap; LS	29	3550230	White Plastic Plug, 3/4"
7	3550490	Dairy Compartment Retainer	30	4200490	Standard Handle End Cap Replacement Components
8	3600860	Dairy Compartment		4200700	Extended Handle End Cap Replacement Components
9	3600891	Dairy Compartment Inner End Cap RS	31	4130950	Door Handle Assembly, Fre
	3600892	Dairy Compartment Inner End Cap LS		EH550	Extended Full Length Handle Set
10	3510710	Door Shelf Support	32	4131010	Handle Molding Assembly, Fre
11	3600751	Door Shelf Outer End Cap, RS	33	3450450	Molding Magnet - 3"
	3600752	Door Shelf Outer End Cap, LS	34	3420240	Gasket Retainer, Side Ref, 47.438"
12	3600761	Door Shelf Inner End Cap, RS	35	4130990	Handle Molding Assembly, Ref
	3600762	Door Shelf Inner End Cap, LS	36	4130930	Door Handle Assembly, Ref
13	3550440	Door Shelf Retainer		EH550	Extended Full Length Handle Set
14	3420240	Gasket Retainer, Side Ref, 47.438"	37	2225204	Door Trim, Side; Ref
15	4330250	Door Shelf Assembly	38	4200490	Standard Handle End Cap Replacement Components
16	4131061	Door Assembly, Ref; RH		4200700	Extended Handle End Cap Replacement Components
	4131062	Door Assembly, Ref; LH	39	3211100	Door Gasket, Refrig.
17	6200410	Screw, #8 x 1/2" Slot Head Hex	40	3420220	Gasket Retainer, 33.312"
18	3420220	Gasket Retainer, 33.312"	41	2225402	Door Trim, Top RH/Bottom LH
19	4200490	Standard Handle End Cap Replacement Components		2225403	Door Trim, Top LH/Bottom RH
	4200700	Extended Handle End Cap Replacement Components	42	3410980	Egg Tray
20	6110450	Bolt, 1/4-20 x 1/2" Whiz Lock	43	3450460	Door Trim Clip
21	3420150	Gasket Retainer, 17.312"	44	4131050	Door Assembly, Fre
22	3211110	Door Gasket, Freezer	45	3600970	Door Shelf
			46	0182651	Freezer Door Support Rail, RH
			47	0182652	Freezer Door Support Rail, LH

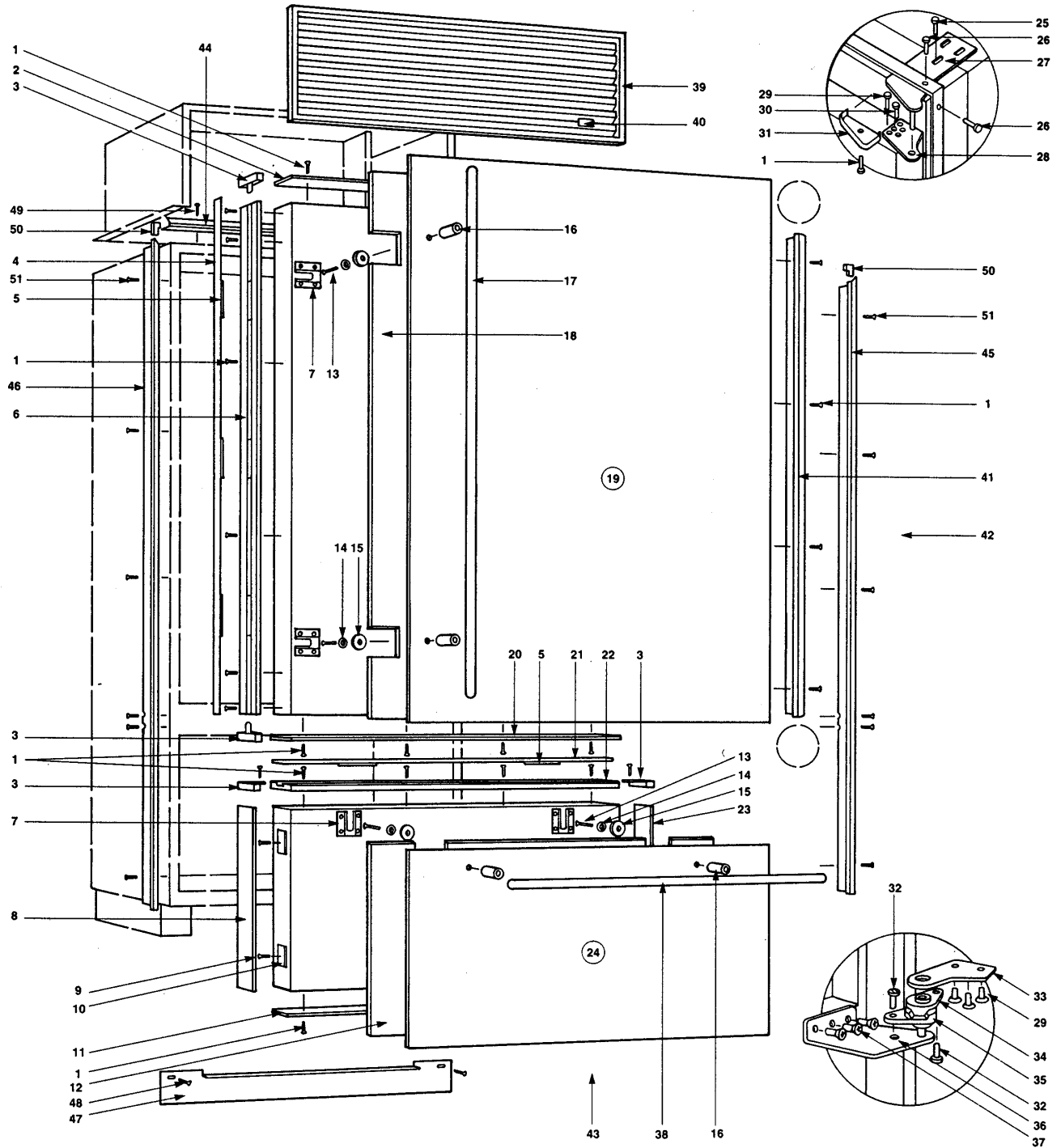
550 DOOR VIEW



550 STAINLESS STEEL EXTERNAL COSMETIC/DOOR VIEW

Ref.	Part No.	Description	Ref.	Part No.	Description
1	6200720	Screw, #8-18x1/2 PH Truss HD	28	4151471	Door Hinge Assy, Top; RH
2	2229405	Refrigerator Door Trim, Top RH / Bottom LH		4151472	Door Hinge Assy, Top; LH
	2229406	Refrigerator Door Trim, Top LH / Bottom RH	29	6110540	Bolt, #10-24 x 1/2" Flat Socket HD
3	4202510	Replacement Trim Cap Components	30	6200390	Screw, #6 x 3/8" T25 Flat Head PH
4	4131870	Handle/Trim Molding Assembly, Refrig.	31	3541011	Top Cabinet Hinge Cover, RH
5	3450450	Molding Magnet - 3"		3541012	Top Cabinet Hinge Cover, LH
6	4131900	Refrigerator Door Trim Assy. Handle Side	32	6110270	Bolt, #10-32 x 1/4" RD HD
7	0183770	Handle Mounting Bracket	33	0182381	Door Hinge, Bottom; RH
8	2229502	Door Trim, Freezer Left Side		0182382	Door Hinge, Bottom; LH
9	6180040	Pop Rivet, 3/16x1/8 Grip	34	3420690	Bottom Door Hinge Cam
10	3450460	Door Trim Clip	35	3420681	Bottom Cabinet Hinge Cam, RH
11	2229407	Door Trim, Freezer Bottom		3420682	Bottom Cabinet Hinge Cam, LH
12	0183760	Door Panel Backer, Freezer	36	4151641	Cabinet Hinge, Bottom; RH
13	6110670	Machine Screw, #10-24x1-1/2 FL		4151642	Cabinet Hinge, Bottom; LH
14	3421590	Door Handle Catch	37	6110010	bolt, #10-24 x 1/2" Flat Head UC
15	6240350	Fender Washer, .25x1.25x.06	38	3511180	SS Drawer Handle, Fre, 1"Dia x 30-5/16"
16	3511190	Handle Standoff, 1"D	39	SS3611	Grille assembly, Stainless Steel - 36x11
17	3511170	SS Door Handle, Refrig, 1"Dia x 44-1/4"	40	3580200	Name Plate
18	0183750	Door Panel Backer, Refrigerator	41	3511140	Door Trim, Hinge Side - Square Corner
19	SSFP550R	Stainless Steel Front Panel, Refrigerator	42	4131841	Door Assembly, Refrigerator SS Framed - RH
20	2229405	Door Trim, Refrigerator; Top RH/Bottom LH		4131842	Door Assembly, Refrigerator SS Framed - LH
	2229406	Door Trim, Refrigerator; Top LH/Bottom RH	43	4131850	Door Assembly, Freezer, SS Framed
21	4131880	Handle/Trim Molding Assembly, Freezer	44	2229604	Main Frame Top - RH
22	4131910	Freezer Door Trim Assembly, Handle Side		2229605	Main Frame Top - LH
23	2229501	Door Trim, Freezer Right Side	45	2229606	Main Frame, Right Side - RH
24	SSFP550F	Stainless Steel Front Panel, Freezer		2229607	Main Frame, Right Side - LH
25	6110070	Bolt, 1/4-20 x 3/4" Spinlock Zinc	46	2229608	Main Frame, Left Side - RH
26	6200070	Screw, #4-24 x 3/8" Flat HD		2229609	Main Frame, Left Side - LH
27	4151271	Cabinet Hinge Assembly, Upper; RH	47	0167820	Kickplate, Stainless Steel
	4151272	Cabinet Hinge Assembly, Upper; LH	48	6200050	Screw, #10-12 x 1/2" Pan HD
			49	6200010	screw, #10-12 x 3/4" Pan HD
			50	2210701	Main Frame Angle
			51	6200210	Screw, #8-32 x 1/2" Flat Head

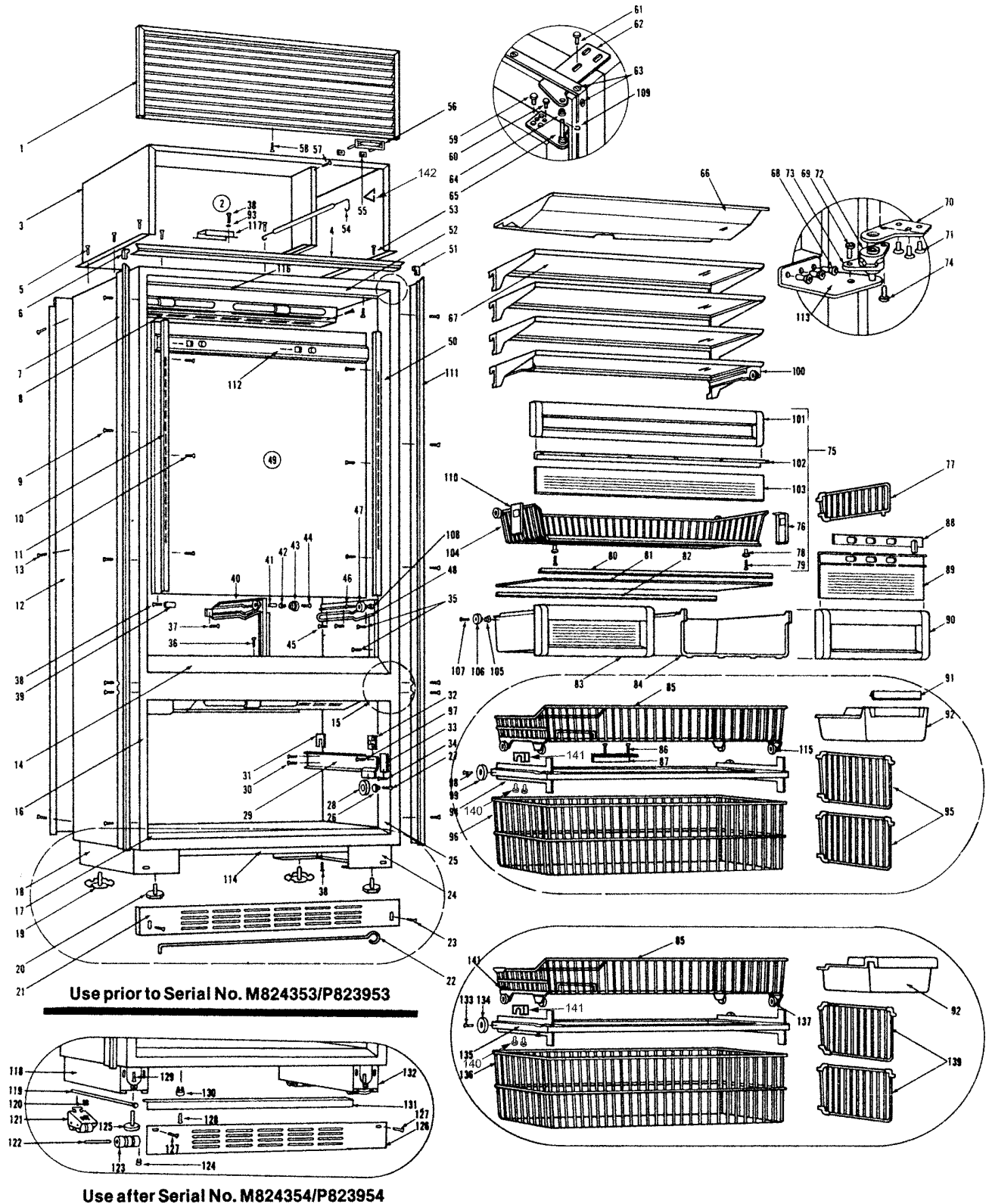
550 STAINLESS STEEL EXTERNAL COSMETIC/DOOR VIEW



550 COSMETIC VIEW

Ref.	Part No.	Description	Ref.	Part No.	Description
1	LG3611	Louvered Grille, 36 x 11	69	6110270	Bolt, #10-32 x 1/4" RD HD
2	4280450	Compressor Shroud Assembly	70	0182381	Door Hinge, Bottom; RH
3	4280480	Unit Shroud Assembly		0182382	Door Hinge, Bottom; LH
4	2225616	Top Main Frame, RH Dr Swing	71	6110010	Bolt, #10-24 x 1/2" Flat Head UC
	2225617	Top Main Frame, LH Dr Swing	72	3420690	Bottom Door Hinge Cam
5	6200230	Screw, #8-18 x 1/2" Hex Head		3420681	Bottom Cabinet Hinge Cam, RH
6	2210701	Main Frame Angle		3420682	Bottom Cabinet Hinge Cam, LH
7	2225609	Left Side Main Frame, RH Dr Swing	74	6110270	Bolt, #10-32 x 1/4" RD HD
	2225610	Left Side Main Frame, LH Dr Swing	75	4180850	Basket Assembly, Ref Roll-out
8	4200830	Light Diffuser/Fan Shroud Replacement Components; Ref.	76	3411001	Refrigerator Roll-Out Basket Retainer, RH
9	6200210	Screw, #8-32 x 1/2" Flat Head	77	3411160	Ref Roll-Out Bskt Divider
10	3601101	Cabinet Shelf Ladder RS	78	6220320	Screw Grommet
	3601102	Cabinet Shelf Ladder LS	79	6200700	Screw, #6-20 x 5/8" PH Flat HD SS
11	6200710	Screw, #8-18 x 3/8" Fillister HD	80	2301601	Front Crisper Seal
12	0164530	Back Cover and Shroud	81	4151060	Crisper Glass Assembly
13	6200230	Screw, #8-18 x 1/2" Hex Head	82	1301900	Rear Crisper Seal
14	2809501	Breaker Strip, Refrigerator Mullion	83	4180910	Crisper Drawer Assembly
15	2809701	Breaker Strip, Freezer Mullion	84	3411022	Crisper Drawer
16	2807341	Breaker Strip, Freezer; LS	85	4180990	Basket Assembly, Upper
17	1807300	Breaker Strip, 6' Length - NOTE: Must be cut to length		4181040	Basket Assembly, Freezer Upper
18	4110032	Left Base Assembly	86	6200140	Screw, #8-15 x 3/8" Truss HD
19	3570020	Rear Leveling Leg, #18-3/8 x 1-1/2"	87	0232940	Switch Depressor
20	3570050	Leveling Leg, #18-3/8 x 1"	8	3411052	Vent Slide
21	0165000	Kickplate, Vented	89	3411042	Crisper Drawer Glass
22	3570030	Leveling Rod, 26-3/4"	90	3411032	Crisper Front
23	6200050	Screw, #10-12 x 1/2" Pan HD	91	3410040	Icemaker Bucket Handle
24	4110031	Right Base Assembly	92	232870	Ice Bucket
25	2807340	Breaker Strip, Freezer; RS		3411340	Ice Bucket
26	3430040	Spacer	93	6240020	Star washer, 3/16"
27	6110440	Bolt, 1/4-20 x 3/4" Flat HD	94	4180670	Drawer Slide Assembly, Fre
28	3420900	Roller Bearing	95	3411310	Lower Freezer Basket Divider
29	4180681	Cabinet Slide Assy, Fre; Right	96	3411180	Lower Freezer Basket
	4180682	Cabinet Slide Assy, Fre; Left	97	6200590	Screw, #12 x 1" Type A Zinc Flat HD
30	6110330	Screw, #10-32 x 1/4" Chrome Plate	98	6110260	Bolt, 1/4-20 x 1/2" Flat HD
31	0232310	Drawer Slide Shim, Rear	99	3420900	Roller Bearing+CS8
32	0232300	Drawer Slide Shim, Front	100	4180790	Shelf Assembly, Ref Roll-out Basket
33	3420821	Cabinet Support Insulator RS	101	3410890	Refrigerator Roll-Out Basket Front
	3420822	Cabinet Support Insulator LS	102	3600920	Refrigerator Roll-Out Basket Glass Retainer
34	6200151	Screw, #10 x 3/4" Type 23 PH Round Head	103	3500280	Refrigerator Roll-Out Basket Glass
35	6200450	Screw, #8 x 1" Type AR Flat	104	NLA	Refrigerator Roll-Out Basket - See 4180850
36	3550460	White Cap plug	105	3430080	Roller Bushing
37	6200140	Screw, #8-15 x 3/8" Truss HD	106	3421110	Crisper Roller
38	6200010	Screw, #10-12 x 3/4" Pan HD	107	6200730	Screw, #10-16 x 3/4 PH Flat Head uc
40	4180940	Crisper Slide Assy; Center	108	3430080	Roller Bushing
	3410960	Center Crisper Slide	109	3450270	E-Ring / Retaining Ring
41	3550450	Hex Insert	110	3411002	Refrigerator Roll-Out Basket Retainer, LH
42	3430080	Roller Bushing	111	2225602	Right Side Main Frame, RH Dr Swing
43	3421100	Crisper Roller; Narrow		2225603	Right Side Main Frame, LH Dr Swing
44	6200740	Screw, #10-32 x 11/16" PH Flat HD UC	112	3012610	Control Panel, Ref
45	6200450	Screw, #8 x 1" Type AR Flat	113	4151151	Cabinet Hinge, Bot; RH
46	6200730	Screw, #10-16 x 3/4" PH Flat HD UC		4151152	Cabinet Hinge, Bot; LH
47	3421110	Crisper Roller	114	0164990	Kickplate Support
48	4180931	Crisper Slide Assy, RS	115	NLA	Upper Freezer Basket Roller- See 4180990 or 4101040.
	4180932	Crisper Slide Assy, LS	116	0211380	Light Diffuser Retainer
	3410941	Crisper Slide, RS	117	0165760	Switch Enclosure
	3410942	Crisper Slide, LS	118	4110333	Base Assembly (w/rollers) - Right or Left
49	0200730	Cold Plate / Evaporator Cover	119	6110520	Adjusting Screw
50	1807300	Breaker Strip, 6' Length - NOTE: Must be cut to length	120	6150670	J-Nut, #10-24
51	2210701	Main Frame Angle	121	4110331	Base Rear Roller Assy
52	1807300	Breaker Strip, 6' Length - NOTE: Must be cut to length	122	3550560	Straight Pin, Base Assy - .312" x 2.88"
53	6200010	Screw, #10-12 x 3/4" Pan HD	123	3421240	Cabinet Roller (3 per side)
54	3450120	Grille Spring, 1/4" x 9-5/8"	124	3450620	Canoe Clip
55	6150140	Spring Grip Nut, 1/8"	125	3570050	Leveling Leg, #18-3/8 x 1"
56	3580110	Nameplate	126	0166150	Kickplate, Vented
57	6200060	Screw, #8-32 x 1/2" Pan HD		4200871	Kickplate, Solid
58	6200770	Screw, #6-32 x 3/4" Pan HD	127	6200050	Screw, #10-12 x 1/2" Pan HD
59	6110010	Bolt, #10-24 x 1/2" Flat Head UC	128	6200010	Screw, #10-12 x 3/4" Pan HD
60	6200390	Screw, #6 x 3/8" T25 Flat Head PH	129	6200010	Screw, #10-12 x 3/4" Pan HD
61	6110070	Bolt, 1/4-20 x 3/4" Spinlock Zinc	130	6220050	Screw Grommet, 1/2" x 5/8"
62	0182560	Cabinet Hinge, Top	131	0166040	Kickplate Support
63	6200070	Screw, #4-24 x 3/8" Flat HD	132	4110333	Base Assembly (w/rollers) - Right or Left
64	3420070	Hinge Bearing	133	6110260	Bolt, 1/4-20 x 1/2" Flat HD
65	3540340	Door Hinge, Top RH	134	3420900	Roller Bearing
	3540350	Door Hinge, Top LH	135	4181050	Drawer Slide, Fre
66	4200830	Light Diffuser/Fan Shroud Replacement Components; Ref.	136	3411180	Lower Freezer Basket
67	4180760	Glass Shelf Assembly	137	NLA	Upper Freezer Basket Roller- See 4180990 or 4101040.
68	6110010	Bolt, #10-24 x 1/2" Flat Head UC	139	3411310	Lower Freezer Basket Divider
			140	6220110	Screw Grommet, 1/2" x 9/16"
			141	3420950	Upper Freezer Basket Restraint
			142	3450520	Grille Hook

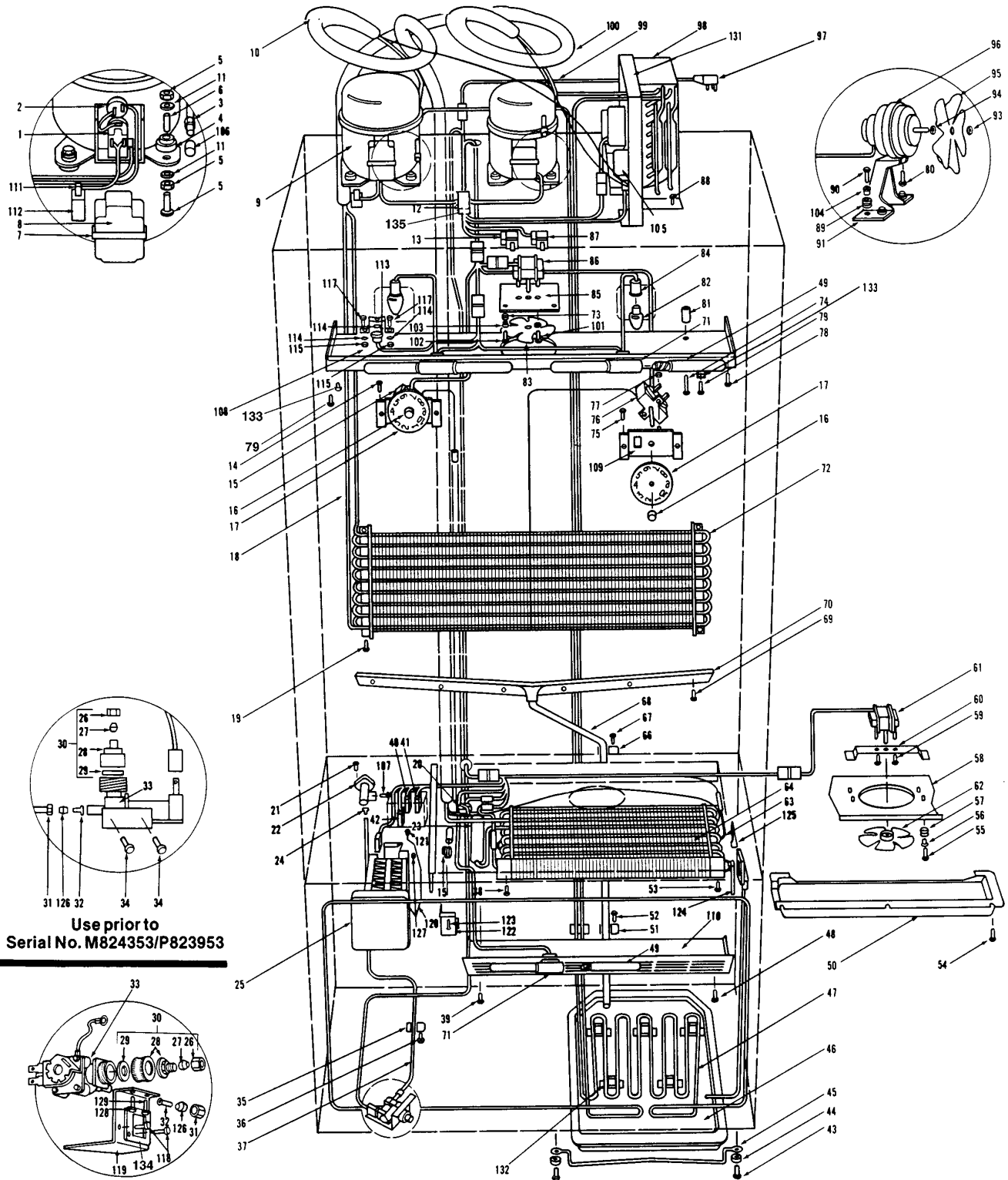
550 COSMETIC VIEW



550 SEALED SYSTEM VIEW

Ref.	Part No.	Description	Ref.	Part No.	Description
1	****	Start Relay, Refrigerator	64	3130120	Evaporator Coil, Fre
	****	Start Relay, Freezer	65	6200080	Screw, #8-15 x 1/2" Truss HD
2	****	Overload, Refrigerator	66	6120050	Tube Clamp, Plastic, 5/8"
	****	Overload, Freezer	67	6200230	Screw, #8-18 x 1/2" Hex Head
3	3090010	Compressor Base Valve - fits on 5/16"OD tubing - NOTE: Also see 3090100, 3090210, 3090220	68	1601400	Drain Tube, Wire - 1/2" x 72"
4	3150010	Rubber Grommet, Small, 5/8"	69	6200140	Screw, #8-15 x 3/8" Truss HD
	3150170	Rubber Grommet, Large, 15/16"	70	4190150	Drain Trough Assembly
5	6150220	Nut, 5/16-18 Hex Zinc	71	3050020	Light Socket, 3/4 Double
6	6160030	Spacer, 5/16 x 7/16 x 5/8"	72	3130270	Evaporator Coil, Ref
	6160070	Sleeve, 5/16 x 7/16 x 7/8"	73	3220250	Grommet, 3/16" x 7/16" x 9/32"
7	****	Compressor Cap Strap	74	6200090	Screw, #8-15 x 1-3/4" Truss HD
8	****	Compressor Cap	75	6180010	Pop Rivet, 1/8"
9	4201400	Service Freezer Compressor	76	4201260	Control, Refrig
10	4250910	Heat Exchanger, Freezer	77	6150320	Nut-Pal, #8-32
11	6240050	Flat Washer, 5/16"	78	6200140	Screw, #8-15 x 3/8" Truss HD
12	4322170	Cabinet Wiring Harness	79	6200130	Screw, #8-18 x 3/4" Truss HD
13	3060140	SPST Light Switch	80	6200490	Screw, #8-32 x 3/8" Slotted Hex T25
14	6180010	Pop Rivet, 1/8"	81	6220340	Screw Grommet / Stand-off
15	3014280	Control, Freezer	82	3030070	Light Bulb, 7W
16	3012560	Control Knob	83	3150210	Fan Blade, Ref Evap
17	3012810	Control Indicator	84	3050070	Light Socket
18	3011030	Refrigerator Accumulator, 7/8 x 15-5/8 (Prior to SN 681565)	85	0211620	Refrigerator Fan Bracket
19	6200140	Screw, #8-15 x 3/8" Truss HD	86	4200170	Refrigerator Fan Motor Replacement Components
20	3082060	Defrost Terminator	87	3060130	SPST Fan/Icemaker Switch
21	6200230	Screw, #8-18 x 1/2" Hex Head	88	6200010	Screw, #10-12 x 3/4" Pan HD
22	1600800	Water Inlet Tube, 6"	89	3220160	Grommet, 3/16" x 7/16" x 9/32"
23	3011010	Accumulator; 1-1/4 x 8-7/8	90	6200430	Screw, #8-18 x 1/2" PH Type-B Pan Head
24	3520050	Brass Insert, Solenoid	91	1801700	Fan Bracket, Condenser
25	4202850	Compact Icemaker Assembly - NOTE: Ice level mechanism not included.	92	3014230	Filter-Drier, High Side
	4200520	Complete Modular Icemaker Assembly	93	6150410	Nut, 1/4-20
26	NLA	Compression Nut - See 3520110	94	3210340	Neoprene Silencer, 7/8"
27	NLA	Ball Sleeve - See 3520110	95	3150320	Fan Blade, Cond, 5 prop, 7"
28	NLA	Water Valve Fitting - See 3520110	96	4200740	Condenser Fan Motor Replacement Components
29	3210030	Solenoid Gasket	97	4321820	Power Cord
30	3520110	Water Inlet Fitting Assembly	98	3120151	Dual Condenser
31	3520030	Icemaker Nylon Nut, 1/4"	99	4201670	Service Refrigerator Compressor
32	3520050	Brass Insert, Solenoid	100	4250960	Heat Exchanger, Refrigerator
33	4201440	Water / Solenoid Valve	101	6110270	Bolt, #10-32 x 1/4" RD HD
34	6200060	Screw, #8-32 x 1/2" Pan HD	102	6200130	Screw, #8-18 x 3/4" Truss HD
35	6120030	Tube Clamp, Plastic 1/4"	103	3520120	Brass Insert, Fan Bracket
36	6200010	Screw, #10-12 x 3/4" Pan HD	104	3520120	Brass Insert, Fan Bracket
37	2600617	Plastic Water Line	105	3081180	Service Defrost Timer, 6Hr / 21Min
38	6200120	Screw, #10-12 x 1/2" Truss HD	106	NLA	Valve Cap -See 3090010; 3090100; 3090210; 3090220.
39	6200120	Screw, #10-12 x 1/2" Truss HD	107	6200330	Screw, #8-18 x 3/8" Pan Head
40	3060030	Light Switch, Normally Closed	108	4160440	Fan Shroud Assembly, Ref
	3060140	SPST Light Switch	109	4151040	Control Bracket Assy.
41	3060020	Fan Switch, Normally Open	110	0232840	Evaporator Cover, Fre
	3060130	SPST Fan/Icemaker Switch	111	****	Run Capacitor
42	3060020	Fan Switch, Normally Open	112	4324110	Run Capacitor Wiring Harness
	3060130	SPST Fan/Icemaker Switch	113	4200850	Light Terminator
43	6200440	Screw, #10-16 x 11/16" Type B Flat Head	114	6240020	Star Washer, 3/16"
44	3420670	Screw Spacer	115	6150160	Nut, #8-32 Hex
45	3420760	Drain Pan Holder	117	6110050	Bolt, #8-32 x 3/8" Truss HD
46	0164940	Drain Pan, Plastic	118	6200010	Screw, #10-12 x 3/4" Pan HD
47	2604101	Condensate Heater Loop	119	0166190	Solenoid Bracket
48	6200120	Screw, #10-12 x 1/2" Truss HD	120	4202730	Ice Level Arm Package
49	3030040	Light Bulb, Long/Narrow; 40 Watt	121	3220170	Snap Bushing
50	0232560	Freezer Air Duct	122	0233160	Control Housing, Fre
51	6120050	Tube Clamp, Plastic, 5/8"	123	6200140	Screw, #8-15 x 3/8" Truss HD
52	6200230	Screw, #8-18 x 1/2" Hex Head	124	6120340	Aluminum Strap
53	6200120	Screw, #10-12 x 1/2" Truss HD	125	2606601	Aluminum Sleeve
54	6200120	Screw, #10-12 x 1/2" Truss HD	126	NLA	Solenoid Hose Fitting - See 3520110
55	6200430	Screw, #8-18 x 1/2" PH Type-B Pan Head	127	6220190	Support, .275 x .750"
56	3520120	Brass Insert, Fan Bracket	128	6200010	Screw, #10-12 x 3/4" Pan HD
57	3220250	Grommet, 3/16" x 7/16" x 9/32"	129	6200060	Screw, #8-32 x 1/2" Pan HD
58	0232850	Fan Shroud, Fre Evap	130	4201440	Water / Solenoid valve
59	6110270	Bolt, #10-32 x 1/4" RD HD	131	4280500	Condenser Fan Shroud Assembly
60	0232280	Fan Bracket, Fre		0166980	Shroud Support Bracket
61	4200160	Freezer Fan Motor Replacement Components	132	6220210	Stand-off Heater Clip
62	3150370	Fan Blade, Freezer Evap.	133	6220330	Plastic support
63	4321760	Defrost Heater Assembly	134	0166200	Solenoid Retainer
			135	3081120	Control Relay

550 SEALED SYSTEM VIEW



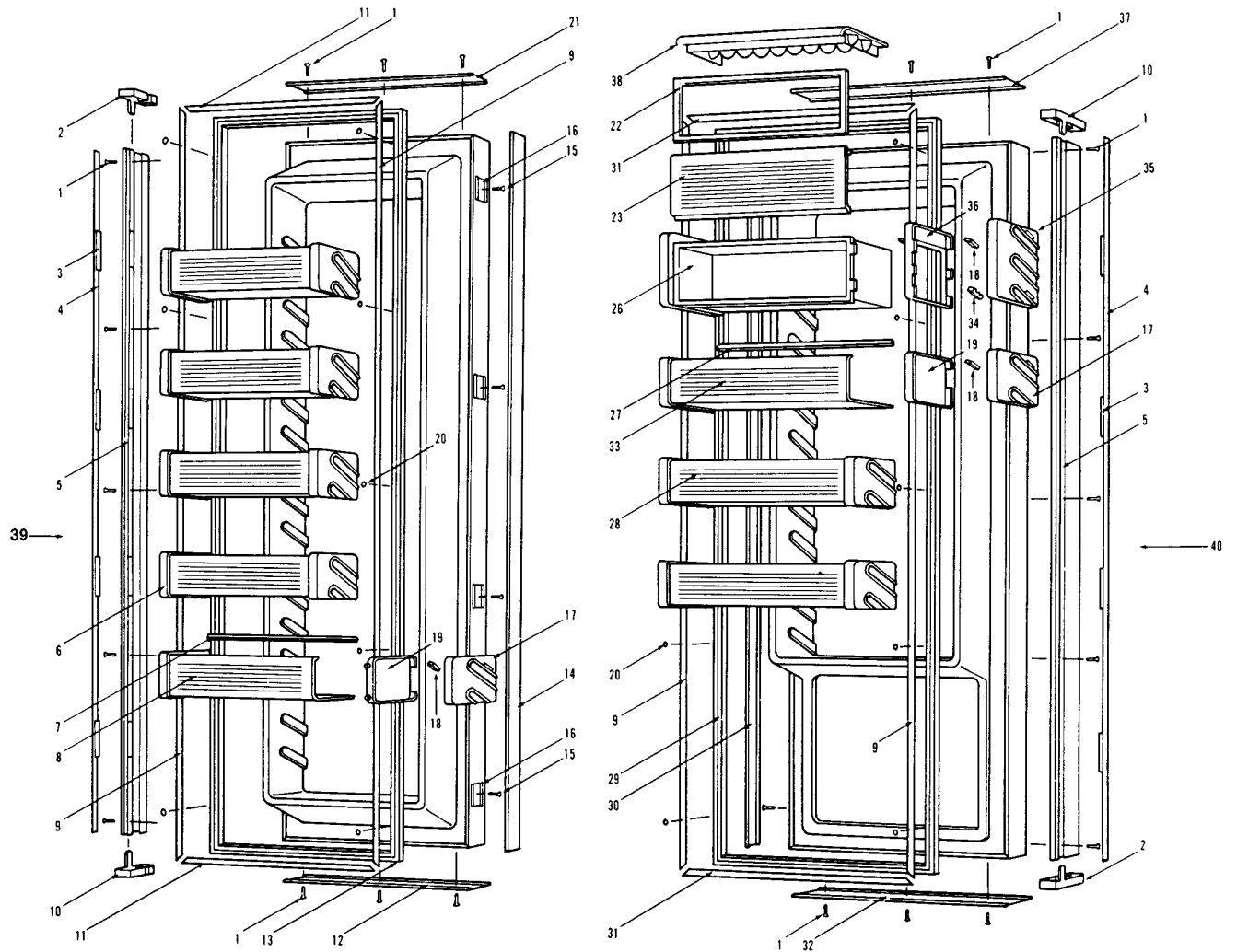
**Use prior to
Serial No. M824353/P823953**

**Use after
Serial No. M824354/P823954**

561 DOOR VIEW

Ref.	Part No.	Description	Ref.	Part No.	Description
1	6200720	Screw, #8-18 x 1/2 PH Truss HD	19	3600761	Door Shelf Inner End Cap RS
2	4200490	Standard Handle End Cap Replacement Components		3600762	Door Shelf Inner End Cap LS
	4200700	Extended Handle End Cap Replacement Components	20	6200410	Screw, #8 x 1/2" Slot Head Hex
3	3450450	Molding Magnet - 3"	21	2225505	Door Trim, Top
4	4130970	Handle Molding Assembly	22	3210720	Dairy Door Seal
5	4130910	Door Handle Assembly	23	3515610	Dairy Door
	EH561	Extended Handle Assembly Set	26	3600880	Dairy Compartment
6	4330290	Door Shelf Assembly, Fre		4330320	Dairy Compartment Assembly
7	3510750	Door Shelf Support, Fre	27	3510730	Door Shelf Retainer Support
8	3601010	Freezer Door Shelf	28	4330270	Door Shelf Assembly, Ref
9	3420260	Gasket Retainer, 66.875"	29	3211120	Door Gasket, Ref
10	4200490	Standard Handle End Cap Replacement Components	30	2225201	Door Trim, Side; Ref RS/Fre LS
	4200700	Extended Handle End Cap Replacement Components	31	3420160	Gasket Retainer, Top & Bottom Ref, 18.25"
11	3420130	Gasket Retainer, Top & Bottom Fre, 3.812"	32	2225504	Door Trim, Bottom
12	2225506	Door Trim, Bottom	33	3600990	Refrigerator Door Shelf
13	3211130	Door Gasket, Fre	34	3550490	Dairy Compartment Retainer
14	2225201	Door Trim, Side; Ref RS/Fre LS	35	3600851	Dairy Compartment Outer End Cap; RS
15	6180040	Pop Rivet, 3/16x1/8 Grip		3600852	Dairy Compartment Outer End Cap; LS
16	3450460	Door Trim Clip	36	3600891	Dairy Compartment Inner End Cap RS
17	3600751	Door Shelf Outer End Cap RS		3600892	Dairy Compartment Inner End Cap LS
	3600752	Door Shelf Outer End Cap LS	37	2225503	Door Trim, Top
18	3550440	Door Shelf Retainer	38	3410990	Egg Tray
			39	4130880	Door Assembly, Fre
			40	4130900	Door Assembly, Ref

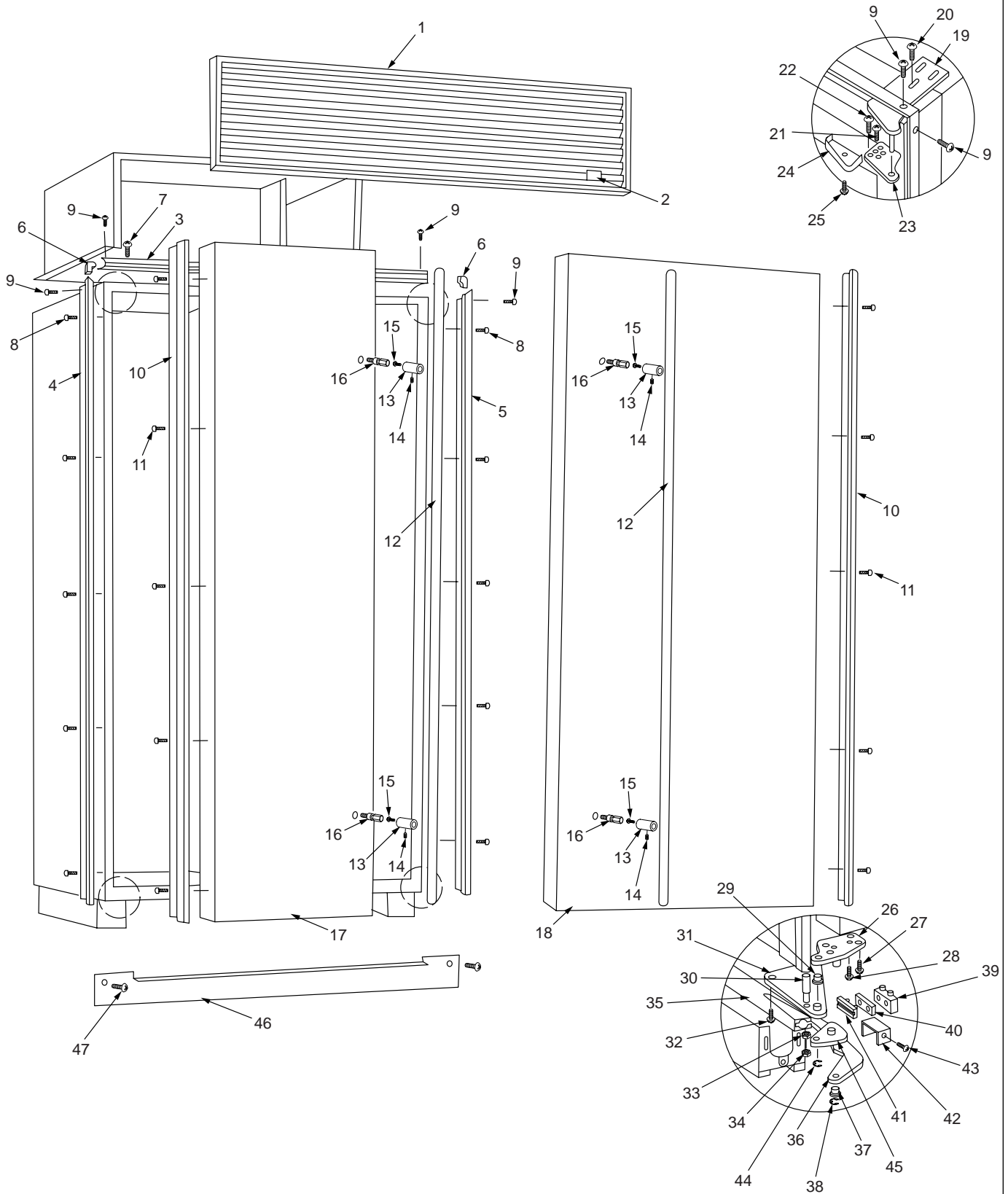
561 DOOR VIEW



561 STAINLESS STEEL EXTERNAL COSMETIC/DOOR VIEW

Ref.	Part No.	Description	Ref.	Part No.	Description
1	4242310	Stainless Steel Grille Assembly, 36"x11"	25	6200720	Screw, #8-18 x 1/2 PH Truss HD
2	3580210	Name Plate, Approx 1-1/4" x 3" Stick on	26	4151241	Door Hinge, Bot; RH
3	2229625	Top Main Frame	27	6110540	Bolt, #10-24 x 1/2" Flat Socket HD
4	4120590	Main Frame Assembly, Left Side	28	6200390	Screw, #6 x 3/8" T25 Flat Head PH
5	4120580	Main Frame Assembly, Right Side	29	3421270	Hinge Bearing, 3/8" x 5/8"
6	2210701	Main Frame Angle	30	3550190	Bottom Hinge Stud
7	6200010	Screw, #10-12 x 3/4" Pan HD	31	4151281	Cabinet Hinge Assembly, Lower; RH
8	6200210	Screw, #8-32 x 1/2" Flat Head	32	6110070	Bolt, 1/4-20 x 3/4" Spinlock Zinc
9	6200070	Screw, #4-24 x 3/8" Flat HD	33	6240070	Lock Washer, 1/4" SS
10	3511130	Door Trim, Hinge Side - Square Corner	34	6150200	Nut, 1/4-20 Hex
11	6200720	Screw, #8-18 x 1/2 PH Truss HD	35	3421300	Door Closer Housing
12	3511160	SS Door Handle, 1"Dia x 63-7/8"		3421290	Door Closer Linkage
	4132190	Door Handle Assy, 1"Dia x 63-7/8"		3450530	Door Closer Spring (Standard)
13	3511320	Handle Stand-off 1"D		3450710	Low Pull Spring
14	6110730	Set Screw #10-32x1/4 SS, Cone-3/32"	36	0165980	Door Closer Spring Retainer
15	6110540	Bolt, #10-24 x 1/2" Flat Socket HD		0183111	Door Closer Arm - RH
16	3511330	Handle Mounting Stud		4200111	Door Closer Assembly, RH
17	4132710	Freezer Door Assembly, SS		0183112	Door Closer Arm - LH
18	4132700	Refrig. Door Assembly, SS	37	4201112	Door Closer Assembly, LH
19	4151271	Cabinet Hinge Assembly, Upper; RH	38	3421260	Door Closer Bearing
	4151272	Cabinet Hinge Assembly, Upper; LH	39	3450550	E-Ring / Klipring , 5/16"
20	6110070	Bolt, 1/4-20 x 3/4" Spinlock Zinc	40	3450570	Door Closer Cushion
21	6200390	Screw, #6 x 3/8" T25 Flat Head PH	41	165970	Door Closer Guide Support
22	6110540	Bolt, #10-24 x 1/2" Flat Socket HD	42	3421310	Door Closer Guide
23	4151471	Door Hinge Assy, Top; RH	43	0166360	Door Closer Cushion Retainer
	4151472	Door Hinge Assy, Top; LH	44	6180010	Pop Rivet, 1/8"
24	3541017	Top Cabinet Hinge Cover, RH	45	3450560	E-Ring, 7/16"
	3541018	Top Cabinet Hinge Cover, LH	46	DS90	Door Stop-90 Degree
				DS105	Door Stop-105 Degree
			47	0167820	Kickplate, Stainless Steel
				6200720	Screw, #8-18 x 1/2 PH Truss HD

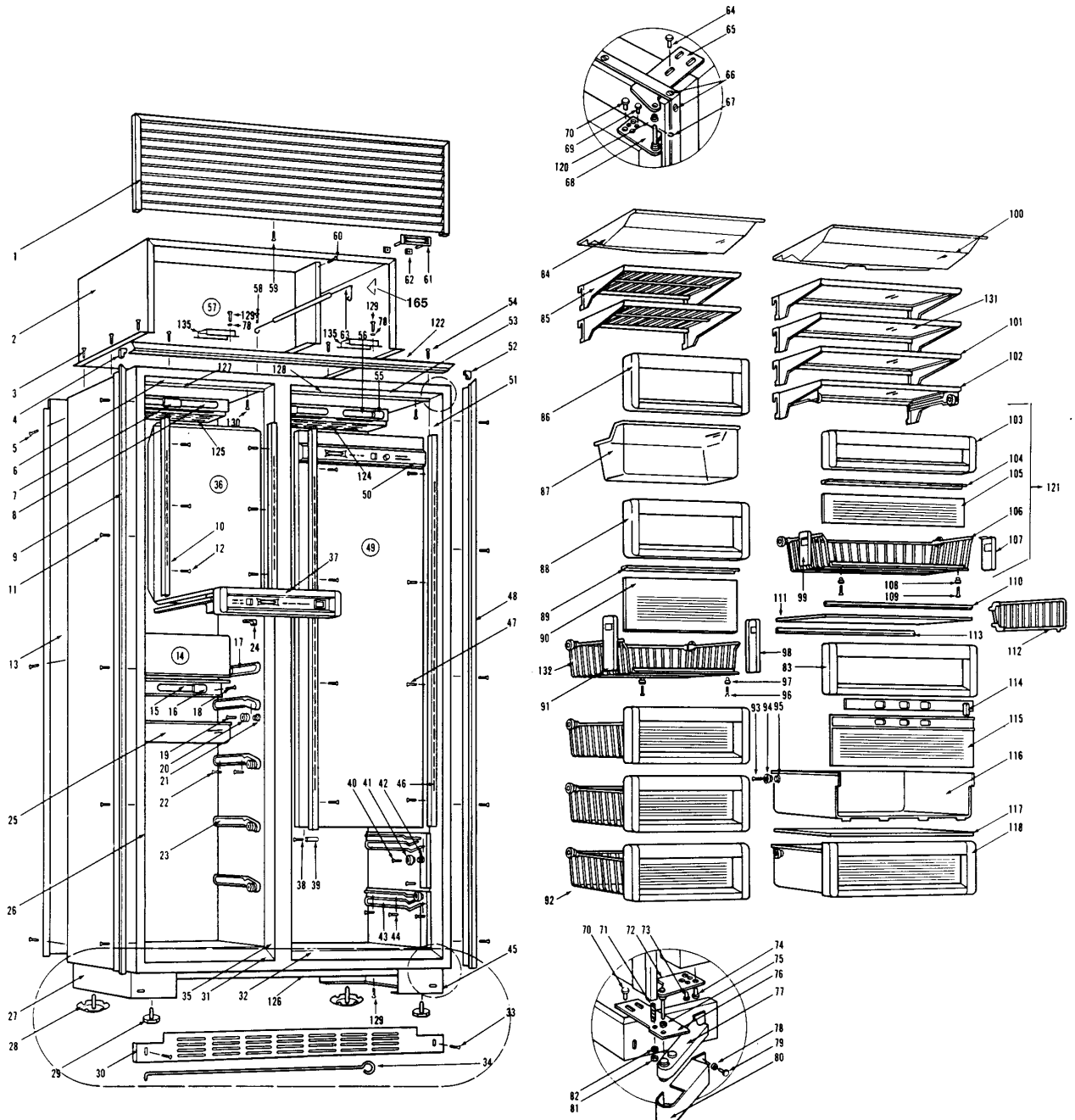
561 STAINLESS STEEL EXTERNAL COSMETIC/DOOR VIEW



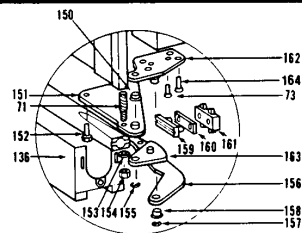
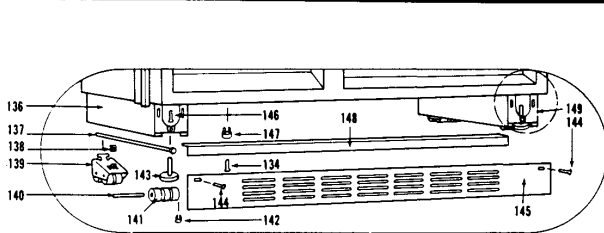
561 COSMETIC VIEW

Ref.	Part No.	Description	Ref.	Part No.	Description
1	LG3611	Louvered Grille, 36 x 11			
2	4280470	Unit Shroud Assembly	81	0180272	Door Closer Cover, LS
3	6200230	Screw, #8-18 x 1/2" Hex Head	82	6150200	Nut, 1/4-20 Hex
4	2210701	Main Frame Angle	83	6240070	Lock Washer, 1/4" SS
5	6200230	Screw, #8-18 x 1/2" Hex Head 2807301	84	3411033	Crisper Drawer Front
6	1807300	Breaker Strip, 6' Length - NOTE: Must be cut to length		4200800	Light Diffuser Replacement Components; Fre
7	3050020	Light Socket, 3/4 Double	85	3600840	Freezer Cantilever Shelf
8	3030040	Light Bulb, Long/Narrow; 40 Watt	86	3410830	Freezer Basket/IM Bucket Front
9	4120490	Main Frame Extrusion, LS	87	3411080	Ice Bucket
10	3601111	Freezer Shelf Ladder RS		4181000	Ice Bucket Assembly
	3601112	Freezer Shelf Ladder LS	88	3410830	Freezer Basket/IM Bucket Front
11	6200210	Screw, #8-32 x 1/2" Flat Head	89	3600960	Basket Glass Retainer
12	6200710	Screw, #8-18 x 3/8" Fillister HD	90	3500270	Freezer Basket Window
13	0164540	Back Cover and Shroud	91	3410972	Freezer Basket Retainer, LS
14	4180840	Ice Bucket Carriage Assembly	92	4180890	Basket Assembly, Fre
15	3030040	Light Bulb, Long/Narrow; 40 Watt	93	6200730	Screw, #10-16 x 3/4" PH Flat HD UC
16	3050010	Light Socket, 3/4 Single	94	3421110	Crisper Roller
17	3410931	Ice Bucket Slide, Right	95	3430080	Roller Bushing
	3410932	Ice Bucket Slide, Left	96	6200700	Screw, #6-20 x 5/8" PH Flat HD SS
18	6200090	Screw, #8-15 x 1-3/4" Truss HD	97	6220320	Screw Grommet
19	6200730	Screw, #10-16 x 3/4" PH Flat HD UC	98	3410971	Freezer Basket Retainer, RS
20	3421160	Basket Slide Roller	99	3411002	Refrigerator Roll-Out Basket Retainer, LH
	3421170	Freezer Basket Slide Roller, Wide	100	4200820	Light Diffuser/Fan Shroud Replacement Components
21	3430080	Roller Bushing	101	4180780	Glass Shelf Assembly
22	6200450	Screw, #8 x 1" Type AR Flat	102	4180810	Shelf Assembly, Ref Roll-out Basket
23	4180971	Freezer Basket Slide Assy - Right	103	3410910	Refrigerator Roll-Out Basket Front
	4180972	Freezer Basket Slide Assy - Left	104	3600940	Refrigerator Roll-Out Basket Glass Retainer
24	6200140	Screw, #8-15 x 3/8" Truss HD	105	3500300	Refrigerator Roll-Out Basket Glass
25	3500320	Lower Light Diffuser	106	NLA	Refrigerator Roll-Out Basket - See 4180870
26	1807300	Breaker Strip, 6' Length - NOTE: Must be cut to length	107	3411001	refrigerator Roll-Out Basket Retainer, RH
27	4110032	Left Base Assembly	108	6220320	Screw Grommet
28	3570020	Rear Leveling Leg, #18-3/8 x 1-1/2"	109	6200700	Screw, #6-20 x 5/8" PH Flat HD SS
29	3570050	Leveling Leg, #18-3/8 x 1"	110	2301801	Front Crisper Seal
30	0164800	Kickplate, 3.25 x 35.5	111	4151080	Crisper Glass Assembly
31	1807300	Breaker Strip, 6' Length - NOTE: Must be cut to length	112	3411160	Ref Roll-Out Bskt Divider
	1807300	Breaker Strip, 6' Length - NOTE: Must be cut to length	113	1302100	Rear Crisper Seal
32	1807300	Breaker Strip, 6' Length - NOTE: Must be cut to length	114	3411052	Vent Slide
	1807300	Breaker Strip, 6' Length - NOTE: Must be cut to length	115	3411043	Crisper Drawer Glass
33	6200050	Screw, #10-12 x 1/2" Pan HD	116	3411023	Crisper Drawer
34	3570030	Leveling Rod, 26-3/4"	117	4151110	Crisper Tray Assembly
35	1807200	Breaker Strip, Mullion- 6' Length - NOTE: Must be cut to length	118	4180920	Crisper Drawer Assembly
36	0233040	Freezer Duct/Evaporator Cover, Fre	119	6200140	Screw, #8-15 x 3/8" Truss HD
37	3411090	Freezer Control Panel Frame	120	3420070	Hinge Bearing
38	6200280	Screw, #8-18 x 1" Pan Head	121	4180870	Basket Assembly, Ref Roll-out
39	6220360	Screw Grommet	122	2225620	Top Main Frame
40	6200730	Screw, #10-16 x 3/4" PH Flat HD UC	124	4200820	Light Diffuser/Fan Shroud Replacement Components, Ref.
41	3421110	Crisper Roller; Narrow	125	4200800	Freezer Air/Light Diffuser Kit
42	3430080	Roller Bushing	126	0164860	Kickplate Support
43	4180931	Crisper Slide Assy, RS	127	0232680	Light Diffuser Retainer, Fre
	4180932	Crisper Slide Assy, LS	128	0211400	Light Diffuser Retainer, Ref
44	6200450	Screw, #8 x 1" Type AR Flat	129	6200010	Screw, #10-12 x 3/4" Pan HD
45	4110031	Right Base Assembly	130	6200140	Screw, #8-15 x 3/8" Truss HD
46	3601081	Cabinet Shelf Ladder RS	131	NLA	Refrigerator Shelf Glass - See 4180780
	3601082	Cabinet Shelf Ladder LS	132	NLA	Freezer Basket - See 4180890
47	6200710	Screw, #8-18 x 3/8" Fillister HD	133	3012700	Control Panel, Fre
48	4120460	Main Frame Extrusion, RS	134	6200010	Screw, #10-12 x 3/4" Pan HD
49	0200740	Cold Plate / Evaporator Cover	135	0165760	Switch Enclosure
50	3012570	Control Panel, Ref	136	4110333	Base Assembly (w/rollers) - Right or Left
51	1807300	Breaker Strip, 6' Length - NOTE: Must be cut to length	137	6110520	Adjusting Screw
	1807300	Breaker Strip, 6' Length - NOTE: Must be cut to length	138	6150670	J-Nut, #10-24
52	2210701	Main Frame Angle	139	4110331	Base Rear Roller Assy
53	1807300	Breaker Strip, 6' Length - NOTE: Must be cut to length	140	3550560	Straight Pin, Base Assy - .312" x 2.88"
	1807300	Breaker Strip, 6' Length - NOTE: Must be cut to length	141	3421240	Cabinet Roller (3 per side)
54	6200010	Screw, #10-12 x 3/4" Pan HD	142	3450620	Canoe Clip
55	3050010	Light Socket, 3/4 Single	143	3570050	Leveling Leg, #18-3/8 x 1"
56	3030040	Light Bulb, Long/Narrow; 40 Watt	144	6200050	Screw, #10-12 x 1/2" Pan HD
57	4280210	Compressor Shroud Assy	145	0166150	Kickplate, Vented
58	6200010	Screw, #10-12 x 3/4" Pan HD		4200871	Kickplate, Solid
59	6200770	Screw, #6-32 x 3/4" Pan HD	146	6200010	Screw, #10-12 x 3/4" Pan HD
60	6200060	Screw, #8-32 x 1/2" Pan HD	147	6220050	Screw Grommet, 1/2" x 5/8"
61	3580110	Nameplate	148	0166120	Kickplate Support
62	6150140	Spring Grip Nut, 1/8"	149	4110333	Base Assembly (w/rollers) - Right or Left
63	3450120	Grille Spring, 1/4" x 9-5/8"	150	3421270	Hinge Bearing, 3/8" x 5/8"
64	6110070	Bolt, 1/4-20 x 3/4" Spinlock Zinc	151	4151221	Cabinet Hinge, Bottom; RH
65	0182560	Cabinet Hinge, Top		4151222	Cabinet Hinge, Bottom; LH
66	6200070	Screw, #4-24 x 3/8" Flat HD	152	6110070	Bolt, 1/4-20 x 3/4" Spinlock Zinc
67	3450270	E-Ring / Retaining Ring	153	6240070	Lock Washer, 1/4" SS
68	3540340	Door Hinge, Top RH	154	6150200	Nut, 1/4-20 Hex
	3540350	Door Hinge, Top LH	155	3450560	E-Ring, 7/16"
69	6200390	Screw, #6 x 3/8" T25 Flat Head PH	156	4201111	Door Closer Assembly, RH
70	6110070	Bolt, 1/4-20 x 3/4" Spinlock Zinc		4201112	Door Closer Assembly, LH
71	3550190	Bottom Hinge Stud	157	3450550	E-Ring / Klipping, 5/16"
72	3540420	Door Hinge w/Pin, Bottom RH	158	3421260	Door Closer Bearing
	3540430	Door Hinge w/Pin, Bottom LH	159	0165970	Door Closer Guide Support
73	6200390	Screw, #6 x 3/8" T25 Flat Head PH	160	3421310	Door Closer Guide
74	6110010	Bolt, #10-24 x 1/2" Flat Head UC	161	3450570	Door Closer Cushion
75	6240160	Nylon Washer, 5/8 x .380 x 1/16"	162	4151241	Door Hinge, Bot; RH
	6240160	Nylon Washer, 5/8 x .380 x 1/16"		4151242	Door Hinge, Bot; LH
76	3540410	Cabinet Hinge, Bottom RH & LH	163	DS90	Door Stop-90 Degree
77	3540270	Door Closer		DS105	Door Stop-105 Degree
78	6240060	Star Washer, 1/4"	164	6110540	Bolt, #10-24 x 1/2" Flat Socket HD
79	6200050	Screw, #10-12 x 1/2" Pan HD	165	3450520	Grille Hook
80	0180271	Door Closer Cover, RS			

561 COSMETIC VIEW



Use prior to Serial No. M825953/P823653

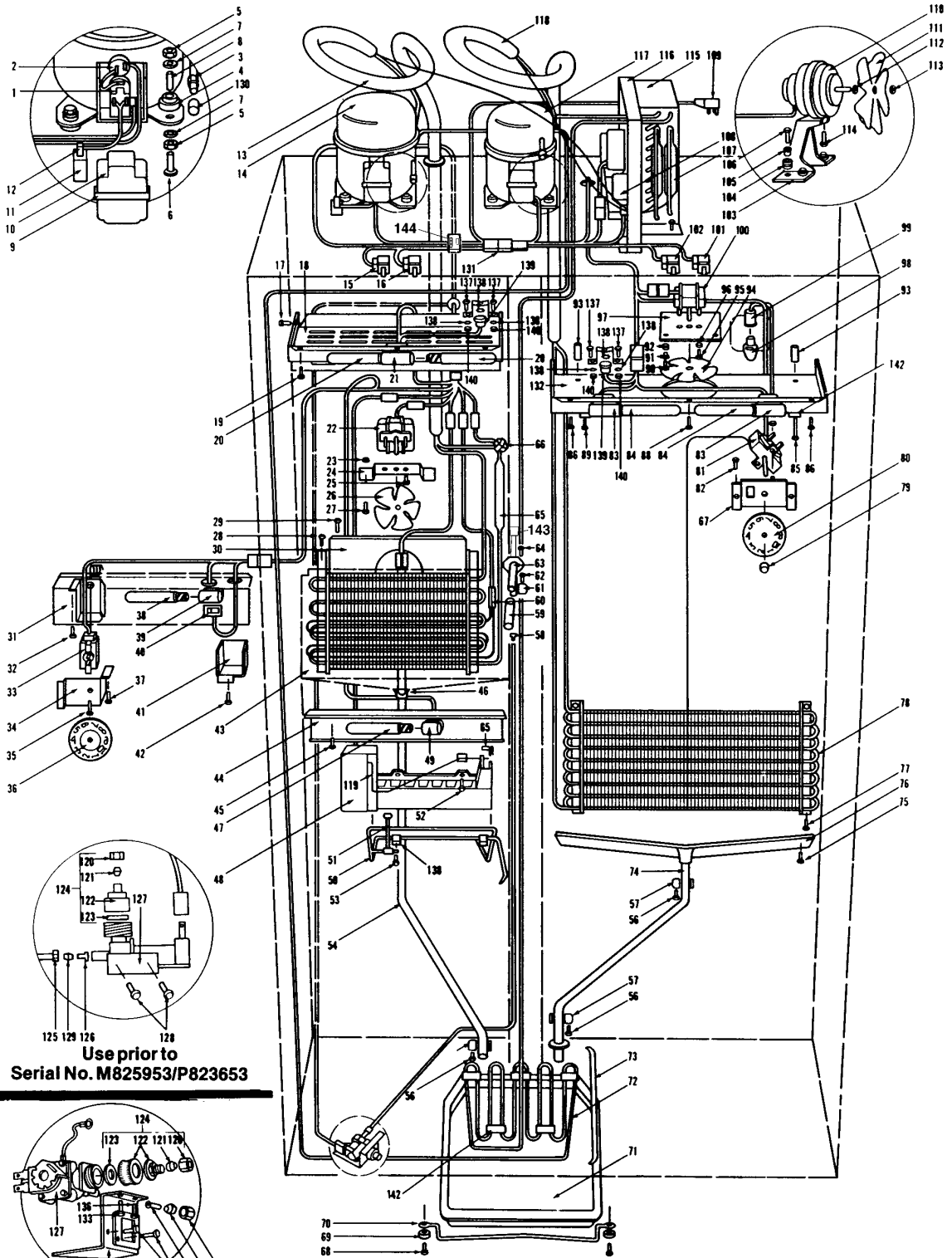


Use after Serial No. M825954/P823654

561 SEALED SYSTEM VIEW

Ref.	Part No.	Description	Ref.	Part No.	Description
1	****	Relay, Freezer	70	3420760	Drain Pan Holder
	****	Relay, Refrigerator	71	0164940	Drain Pan, Plastic
2	****	Overload, Freezer	72	2604101	Condensate Heater Loop
3	3090010	Compressor Base Valve - fits on 5/16"OD tubing - NOTE Also see 3090100, 3090210, 3090220	73	6230370	Adhesive Back Foam Strip, 1 x 1/2 x 15"
	3150010	Rubber Grommet, Small, 5/8"	74	1601400	Drain Tube, Wire - 1/2" x 72"
4	3150170	Rubber Grommet, Large, 15/16"	75	6200140	Screw, #8-15 x 3/8" Truss HD
5	6150220	Nut, 5/16-18 Hex Zinc	76	4190170	Drain Trough Assembly
6	6240050	Flat Washer, 5/16"	77	6200140	Screw, #8-15 x 3/8" Truss HD
7	6240050	Flat Washer, 5/16"	78	3130280	Evaporator, Ref
8	6160030	Spacer, 5/16 x 7/16 x 5/8"	79	3012560	Control Knob
	6160070	Sleeve, 5/16 x 7/16 x 7/8"	80	3012810	Control Indicator
9	****	Refrigerator Compressor Cap strap	81	4201260	Control, Refrig
	****	Freezer Compressor Cap Strap	82	6180010	Pop Rivet, 1/8"
10	****	Refrigerator Compressor cap	83	3050060	Lamp Holder W/Leads
	****	Freezer Compressor cap	84	3030040	Light Bulb, Long/Narrow; 40 Watt
	****	Run Capacitor	85	6200090	Screw, #8-15 x 1-3/4" Truss HD
11	4324110	Run Capacitor Wire Harness	86	6200140	Screw, #8-15 x 3/8" Truss HD
12	4250990	Heat Exchanger, Freezer	87	6150320	Nut-Pal, #8-32
13	4201400	Service Freezer Compressor	88	6200140	Screw, #8-15 x 3/8" Truss HD
14	3060140	SPST Light Switch	89	6200130	Screw, #8-18 x 3/4" Truss HD
15	3060130	SPST Fan/Icemaker Switch	90	6200130	Screw, #8-18 x 3/4" Truss HD
16	6220190	Support, .275 x .750"	91	3520120	Brass Insert, Fan Bracket
17	4200800	Light Diffuser Replacement Components; Fre	92	3220250	Grommet, 3/16" x 7/16" x 9/32"
			93	6220340	Screw Grommet / Stand-off
19	6200140	Screw, #8-15 x 3/8" Truss HD	94	3150210	Fan Blade, Ref Evap
20	3030040	Light Bulb, Long/Narrow; 40 watt	95	6110270	Bolt, #10-32 x 1/4" RD HD
21	3050020	Light Socket, 3/4 Double	96	6200120	Screw, #10-12 x 1/2" Truss HD
22	4200160	Freezer Fan Motor Replacement Components	97	0211620	Refrigerator Fan Bracket
			98	3030070	Light Bulb, 7W
23	6150030	Nut, #10-24 Hex SS	99	3050070	Light Socket
24	232770	Fan Bracket, Fre.	100	4200170	Refrigerator Fan Motor Replacement Components
25	6110270	Bolt, #10-32 x 1/4" RD HD	101	3060130	SPST Fan/Icemaker Switch
26	3150060	Fan Blade; Freezer; 5 prop; 5-1/2"	102	3060140	SPST Light Switch
27	6110020	Bolt, #10-24 x 3/8" Truss HD	103	1801700	Fan Bracket, Condenser
28	6200120	Screw, #10-12 x 1/2" Truss HD	104	3220160	Grommet, 3/16" x 7/16" x 9/32"
29	6200120	Screw, #10-12 x 1/2" Truss HD	105	3520120	Brass Insert, Fan Bracket
30	0232980	Fan Shroud, Fre	106	6200280	Screw, #8-18 x 1" Pan Head
31	0233030	Shelf Front, Fre	107	3014230	Filter-Drier, High Side
32	6200140	Screw, #8-15 x 3/8" Truss HD	108	3081180	Service Defrost Timer, 6Hr / 21Min
33	3012742	Control, Freezer	109	4321820	Power Cord
34	0233050	Control Box	110	4200740	Condenser Fan Motor Replacement Components
35	6110050	Bolt, #8-32 x 3/8" Truss HD	111	3150320	Fan Blade, Cond, 5 prop, 7"
36	3012640	Control Dial, Fre	112	3210340	Neoprene Silencer, 7/8"
37	6200140	Screw, #8-15 x 3/8" Truss HD	113	6150410	Nut, 1/4-20
38	3030040	Light Bulb, Long/Narrow; 40 Watt	114	6200490	Screw, #8-32 x 3/8" Slotted Hex T25
39	3050060	Lamp Holder W/Leads	115	3120240	Dual Condenser
40	3060170	Icemaker Switch	116	4280500	Condenser Fan Shroud Assembly
41	0232740	Switch Box	117	4201670	Service Refrigerator Compressor
42	6200120	Screw, #10-12 x 1/2" Truss HD	118	4250980	Heat Exchanger, Refrigerator
43	3130310	Evaporator, Fre	119	3140200	Icemaker Shut-off Arm
44	232680	Light Diffuser Retainer, Fre		NLA	Compression Nut - See 3520110
45	3030040	Light Bulb, Long/Narrow; 40 Watt	121	NLA	Ball Sleeve - See 3520110
46	3013540	Drain Tube Heater	122	NLA	Water Valve Fitting - See 3520110
47	3030040	Light Bulb, Long/Narrow; 40 Watt	123	3210030	Solenoid Gasket
48	4200520	Complete Modular Icemaker Assembly	124	3520110	Water Inlet Fitting Assy
	628366	Module & Motor Assembly	125	3520030	Icemaker Nylon Nut, 1/4"
49	3050010	Light Socket, 3/4 Single	126	3520050	Brass Insert, Solenoid
50	3421220	Icemaker Control Arm	127	4201440	Water Solenoid Valve
51	3421070	Connecting Rod	128	6200060	Screw, #8-32 x 1/2" Pan HD
52	6200120	Screw, #10-12 x 1/2" Truss HD	129	NLA	Solenoid Hose Fitting - See 3520110
53	6200140	Screw, #8-15 x 3/8" Truss HD	130	NLA	Valve Cap -See 3090010; 3090100; 3090210; 3090220.
54	1601400	Drain Tube, Wire - 1/2" x 72"	131	4322340	Cabinet Wiring Harness-Madison
55	2600617	Plastic Water Line		4322430	Cabinet Wiring Harness-Phoenix
56	6200010	Screw, #10-12 x 3/4" Pan HD	132	4160500	Fan Shroud Assembly
57	6120210	U-clamp, 5/8"	133	6200060	Screw, #8-32 x 1/2" Pan HD
58	3520050	Brass Insert, Solenoid	135	6240020	Star Washer, 3/16"
59	2605401	Extension Tube	136	6200010	Screw, #10-12 x 3/4" Pan HD
60	4322140	Defrost Heater Assembly	137	6110050	Bolt, #8-32 x 3/8" Truss HD
61	6120120	Tube Clamp, 3/8" Stl w/nut	138	6120280	Tube Clamp, Nylon, 3/16"
62	6200330	Screw, #8-18 x 3/8" Pan Head	139	4200850	Light Terminator
63	1600800	Water Inlet Tube, 6"	140	6150160	Nut, #8-32 Hex
64	6200230	Screw, #8-18 x 1/2" Hex Head	141	4201540	Water Solenoid Valve
65	3450080	Icemaker Tube Clip, 1/2" x 13/16"	142	6220330	Plastic Support
66	3082060	Defrost Terminator	143	4202170	Fill Tube Heater Assy.
67	4151040	Control Bracket Assy	144	3081120	Fan Control Relay
68	6200440	Screw, #10-16 x 11/16" Type B Flat Head			
69	3420670	Screw Spacer			

561 SEALED SYSTEM VIEW



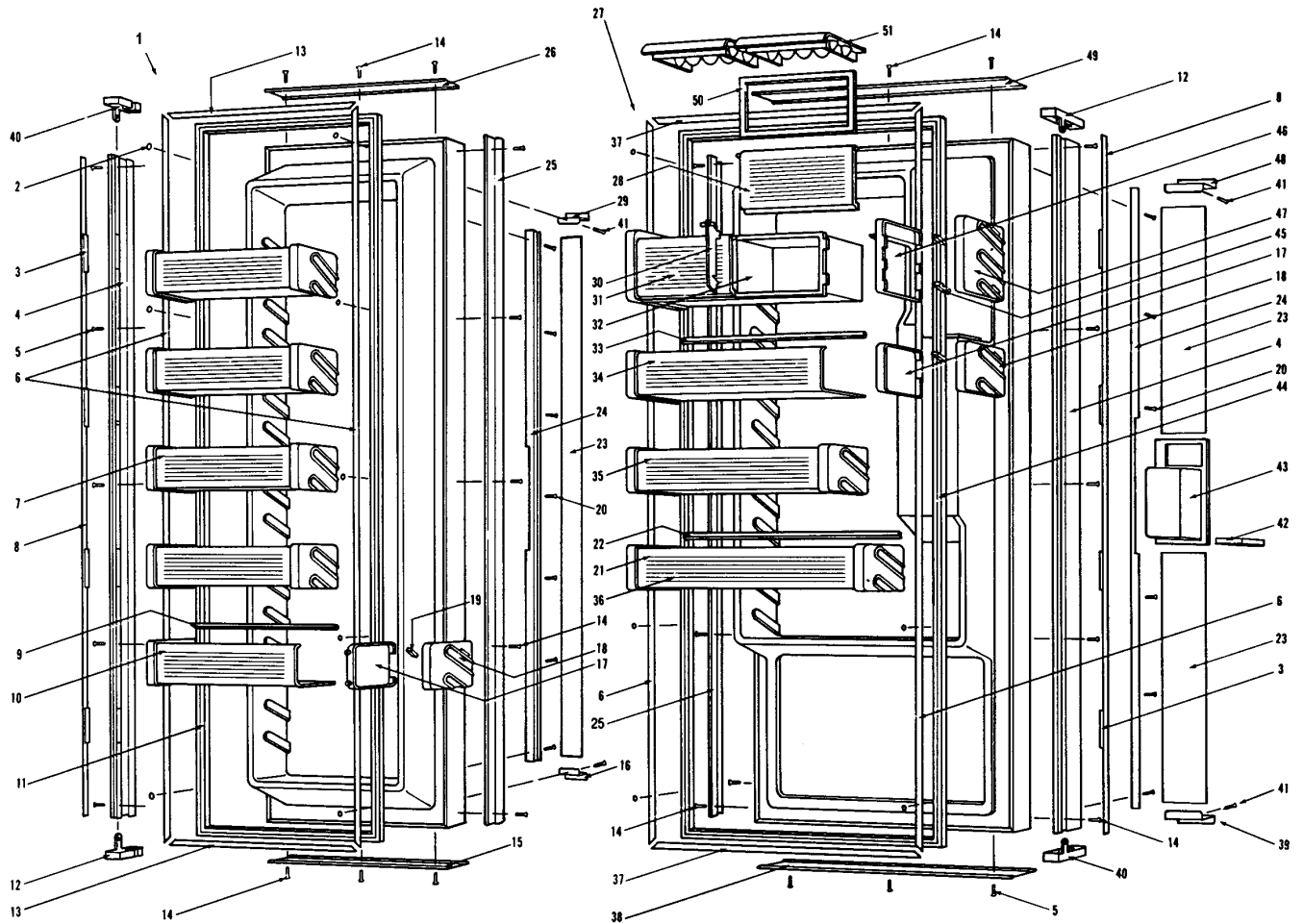
Use prior to
Serial No. M825953/P823653

Use after
Serial No. M825954/P823654

590 DOOR VIEW

Ref.	Part No.	Description	Ref.	Part No.	Description
1	4201010	Freezer Door Replacement	27	4201020	Refrigerator Door Replacement - Note: Does not include dispenser
2	6200410	Screw, #8 x 1/2" Slot Head Hex	28	3515910	Dairy Door
3	3450450	Molding Magnet - 3"	29	3411562	Top Trim Filler, Freezer
4	4131530	Door Handle Assembly	30	3421060	Dairy Compartment Center Divider
5	6200720	Screw, #8-18 x 1/2 PH Truss HD	31	4330390	Dairy Compartment Assembly
6	3420260	Gasket Retainer, 66.875"	32	3601230	Dairy Compartment
7	4330280	Door Shelf Assembly, Fre	33	3510940	Door Shelf Support, Refrigerator
8	4130970	Handle Molding Assembly	34	3601240	Door Shelf Tray, Ref
9	3510740	Door Shelf Support, Fre	35	4330380	Door Shelf Assembly, Refrigerator, 17"
10	3601000	Freezer Door Shelf	36	3600980	Refrigerator Door Shelf
11	3211090	Door Gasket, Freezer	37	3420200	Gasket Retainer, 27.062"
12	4200920	End Cap Replacement Components	38	2225514	Door Trim, Bottom
13	3420140	Gasket Retainer, 16.125"	39	3411552	Bottom Trim Filler, Refrigerator
14	6200720	Screw, #8-18 x 1/2 PH Truss HD	40	4200920	End Cap Replacement Components
15	2225415	Door Trim, Bottom	41	6200840	Screw, #10 x 1/2" PH FH AB SS
16	3411561	Bottom Trim Filler, Freezer	42	NA	Glasswell Sump Grid - See G1 through G9
17	3600761	Door Shelf Inner End Cap RS	43	G1	Glass Well-Bright White
	3600762	Door Shelf Inner End Cap LS		G2	Glass Well-Almond Buff
18	3600751	Door Shelf Outer End Cap RS		G3	Glass Well-Camel
	3600752	Door Shelf Outer End Cap LS		G4	Glass Well-Adobe
19	3550440	Door Shelf Retainer		G5	Glass Well-Brushed Pewter (STANDARD)
20	6200840	Screw, #10 x 1/2" PH FH AB SS		G6	Glass Well-Smoke Gray
21	4330260	Door Shelf Assembly		G7	Glass Well-Charcoal
22	3510720	Door Shelf Support, Ref		G8	Glass Well-Port Brown
23	P1/P2	Handle Insert-Bright White/Almond Buff	44	3211080	Door Gasket, Refrig.
	P3/P4	Handle Insert-Camel/Adobe	45	3550490	Dairy Compartment Retainer
	P5	Handle Insert-Brushed Pewter - (STANDARD)	46	3600891	Dairy Compartment Inner End Cap RS
	P6/P7	Handle Insert-Smoke Gray/Charcoal		3600892	Dairy Compartment Inner End Cap LS
	P8/P9	Handle Insert-Port Brown/Black Slate	47	3600851	Dairy Compartment Outer End Cap; RS
	P10	Handle Insert-Stainless Steel		3600852	Dairy Compartment Outer End Cap; LS
	P11	Handle Insert-White Enamel	48	3411551	Top Trim Filler, Refrigerator
	P12	Handle Insert-Avocado Enamel	49	2225513	Door Trim, Top
	P13	Handle Insert-Harvest Gold Enamel	50	3211310	Dairy Compartment Seal
	P14	Handle Insert-Almond Enamel	51	3411490	Egg Tray
	P15	Handle Insert-Coffee Enamel			
24	3510970	Vertical Trim Strip			
25	3510960	Door Side Trim			
26	2225414	Door Trim, Top			

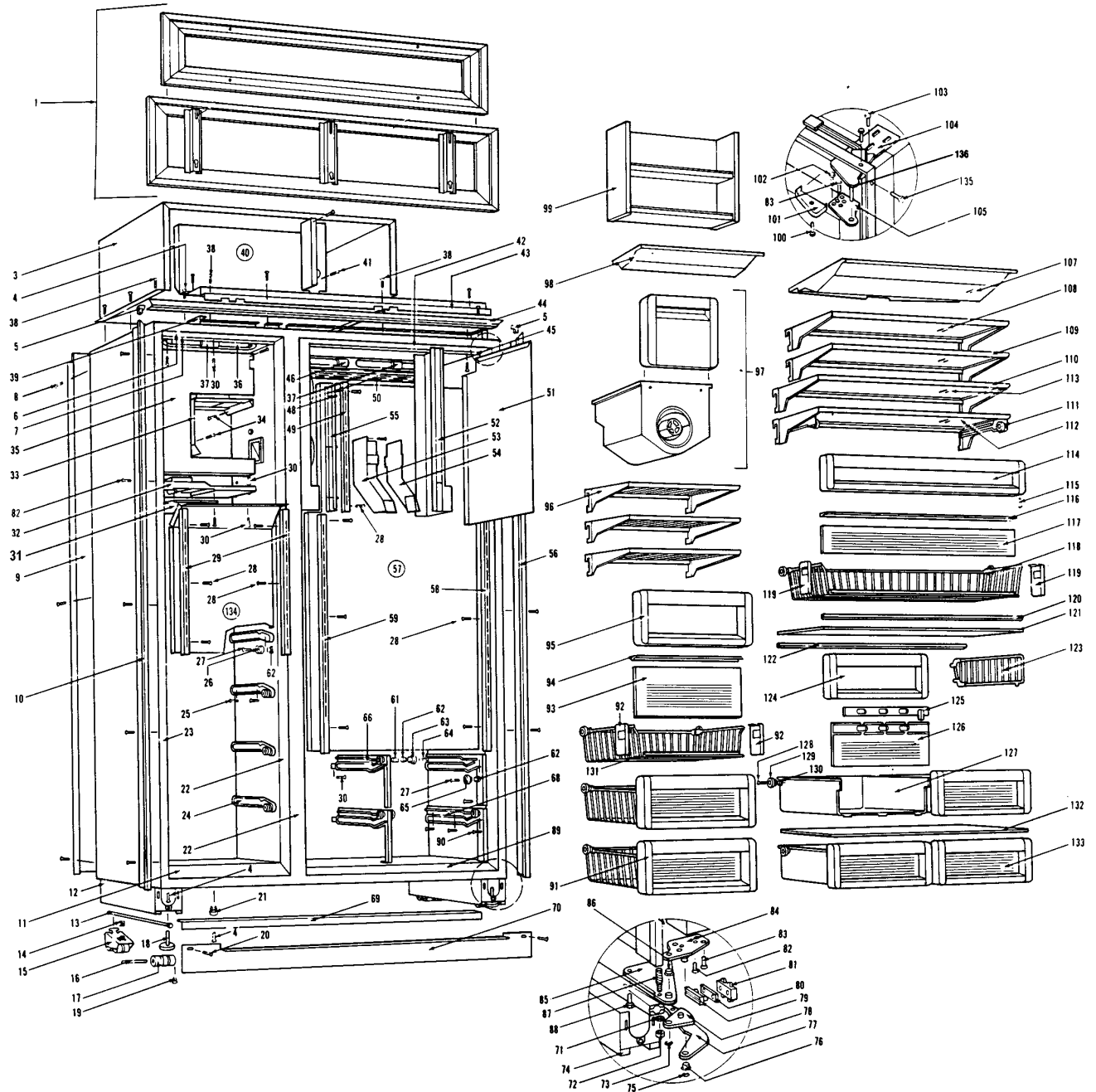
590 DOOR VIEW



590 COSMETIC VIEW

Ref.	Part No.	Description	Ref.	Part No.	Description
1	EAPG4811	Easy Access Panalized Grille, 48 x 11	72	6150200	Nut, 1/4 - 20 Hex
3	4280550	Unit Shroud Assembly	73	3450560	E-Ring, 7/16"
4	6200010	Screw, #10-12 x 3/4" Pan HD	74	4110333	Base Assembly (w/rollers)
	2210701	Main Frame Angle	75	3450550	E-Ring / Klipping , 5/16"
	1807300	Breaker Strip, 6' Length - NOTE: Must be cut to length	76	3421260	Door Closer Bearing
	0233290	Light Diffuser Retainer, Fre	77	4201111	Door closer Assembly, RH
	6200230	Screw, #8-18 x 1/2" Hex Head		4201112	Door closer Assembly, LH
	0164550	Back Cover and Shroud	78	DS90	Door Stop-90 Degree
10	4120490	Main Frame Extrusion, LS		DS105	Door Stop-105 Degree
11	1807300	Breaker Strip, 6' Length - NOTE: Must be cut to length	79	3421310	Door Closer Guide
12	4110333	Base Assembly (w/rollers)	80	0165970	Door Closer Guide Support
13	6110520	Adjusting Screw	81	3450570	Door Closer Cushion
14	6150670	J-Nut, #10 - 24	82	6200210	Screw, #8-32 x 1/2" Flat Head
15	4110331	Base Rear Roller Assy	83	6110540	Bolt, #10-24 x 1/2" Flat Socket HD
16	3550560	Straight Pin, Base Assy - .312" x 2.88"	84	4151241	Door Hinge, Bot; RH
17	3421240	Cabinet Roller (3 per side)		4151242	Door Hinge, Bot; LH
18	3570050	Leveling Leg, #18-3/8 x 1"	85	4151281	Cabinet Hinge Assembly, Lower; RH
19	3450620	Canoe Clip		4151282	Cabinet Hinge Assembly, Lower; LH
20	6200050	Screw, #10-12 x 1/2" Pan HD	86	3421270	Hinge Bearing, 3/8" x 5/8"
21	6220050	Screw Grommet, 1/2" x 5/8"	87	3550190	Bottom Hinge Stud
22	1807200	Breaker Strip, Mullion- 6' Length - NOTE: Must be cut to length	88	6110070	Bolt, 1/4-20 x 3/4" Spinlock Zinc
23	1807300	Breaker Strip, 6' Length - NOTE: Must be cut to length	89	1807300	Breaker Strip, 6' Length - NOTE: Must be cut to length
24	4180971	Freezer Basket Slide Assy - Right	90	6200450	Screw, #8 x 1" Type AR Flat
	4180972	Freezer Basket Slide Assy - Left	91	4180880	Basket Assembly, Fre
25	6200450	Screw, #8 x 1" Type AR Flat	92	3410971	Freezer Basket Retainer, RS
26	3421160	Basket Slide Roller		3410972	Freezer Basket Retainer, LS
	3421170	Freezer Basket Slide Roller, Wide	93	3500260	Freezer Drawer Glass
27	6200730	Screw, #10-16 x 3/4" PH Flat HD UC	94	3600950	Drawer Glass Retainer
28	6200710	Screw, #8-18 x 3/8" Fillister HD	95	3410820	Freezer Basket/IM Bucket Front
29	3601252	Cabinet Shelf Ladder, LH	96	3600830	Wire Shelf
	3601251	Cabinet Shelf Ladder, RH	97	4181180	Ice Bucket Assembly
30	6200140	Screw, #8-15 x 3/8" Truss HD	98	0211830	Light Diffuser, Fre
31	3500390	Lower Diffuser, Flat	99	4181190	Juice Can Rack Assembly
32	4151420	Evaporator Cover Assembly, Lower	100	6200710	Screw, #8-18 x 3/8" Fillister HD
33	4201830	Ice Bucket Main Frame Assembly	101	3541011	Top Cabinet Hinge Cover, RH
34	6200120	Screw, #10-12 x 1/2" Truss HD		3541012	Top Cabinet Hinge Cover, LH
35	0211820	Evaporator Front Cover	102	6200390	Screw, #6 x 3/8" T25 Flat Head PH
36	3030040	Light Bulb, Long/Narrow; 40 watt	103	6110070	Bolt, 1/4-20 x 3/4" Spinlock Zinc
37	3050020	Light Socket, 3/4 Double	104	4322870	Upper Cabinet Hinge/Wire Harness Assy; Ref; RH
38	6200060	Screw, #8-32 x 1/2" Pan HD		4151272	Cabinet Hinge Assembly, Upper; LH
39	4323210	Cabinet Wiring Harness Assembly	105	4322870	Upper Cabinet Hinge/Wire Harness Assy; Ref; RH
40	4280570	Compressor Shroud Assembly		0183182	Door Hinge Assy, Top; LH
41	6200340	Screw, #6-20 x 1/2" Pan Head	107	0211760	Light Diffuser, Ref
42	1807300	Breaker Strip, 6' Length - NOTE: Must be cut to length	108	NLA	Refrigerator Shelf Glass-See 4181170
43	0166460	Wiring Harness Cover	109	4181170	Glass Shelf Assembly
44	2225703	Top Main Frame	110	4180770	Glass Shelf Assembly
45	0211800	Light Diffuser Retainer, Ref	ill	4180800	Shelf Assembly, Ref Roll-out Basket
46	3050010	Light Socket, 3/4 Single	112	NLA	Roll Out Basket Shelf Glass-See 4180800
47	6200140	Screw, #8-15 x 3/8" Truss HD	113	NLA	Refrigerator Glass Shelf Frame-See 4180770
48	4151400	Tank Cover Bracket Assembly	114	3410900	Refrigerator Roll-Out Basket Front
49	3601270	Refrigerator Shelf Ladder - Upper LS	115	6200700	Screw, #6-20 x 5/8" PH Flat HD SS
50	0211790	Fan Guard	116	3600930	Refrigerator Roll-Out Basket Glass Retainer
51	0211750	Water Tank Cover	117	3500290	Refrigerator Roll-Out Basket Glass
52	3012890	Control Panel Assembly	118	4180860	Basket Assembly, Ref Roll-out
53	3411870	Ice Chute/Nozzle Assembly	119	3411001	Refrigerator Roll-Out Basket Retainer, RH
54	4181230	Ice Chute/Water Nozzle Assembly		3411002	Refrigerator Roll-Out Basket Retainer, LH
55	4151400	Tank Cover Bracket Assembly	120	2301701	Front Crisper Seal
56	4120460	Main Frame Extrusion, RS	121	4151070	Crisper Glass Assembly
57	0200790	Cold Plate / Evaporator Cover	122	1302000	Rear Crisper Seal
58	3601081	Cabinet Shelf Ladder, RS	123	3411160	Ref Roll-Out Bskt Divider
59	3601260	Refrigerator Cabinet Shelf Ladder - Lower LS	124	3411031	Crisper Drawer Front
60	3550450	Hex Insert	125	3411051	Vent Slide
61	3430080	Roller Bushing	126	3411041	Crisper Glass Front
62	3421100	Crisper Roller; Narrow	127	3411021	Crisper Drawer
63	6200740	Screw, #10-32 x 11/16" PH Flat HD UC	128	6200730	Screw, #10-16 x 3/4" PH Flat HD UC
64	3421110	Crisper Roller	129	3421110	Crisper Roller
65	4180940	Crisper Slide Assy; Center	130	3430080	Roller Bushing
66	3550460	White Cap plug	131	NLA	Freezer Basket-See 4180880
67	4180931	Crisper Slide Assy, RS	132	4151100	Crisper Tray Assembly
68	4180932	Crisper Slide Assy, LS	133	4180900	Crisper Drawer Assembly
69	0166050	Kickplate Support	134	4200990	Freezer Duct
70	0166020	Kickplate, Black-Solid	135	6200070	Screw, #4-24 x 3/8" Flat HD
71	6240070	Lock Washer, 1/4" SS	136	3421340	Top Door Bearing

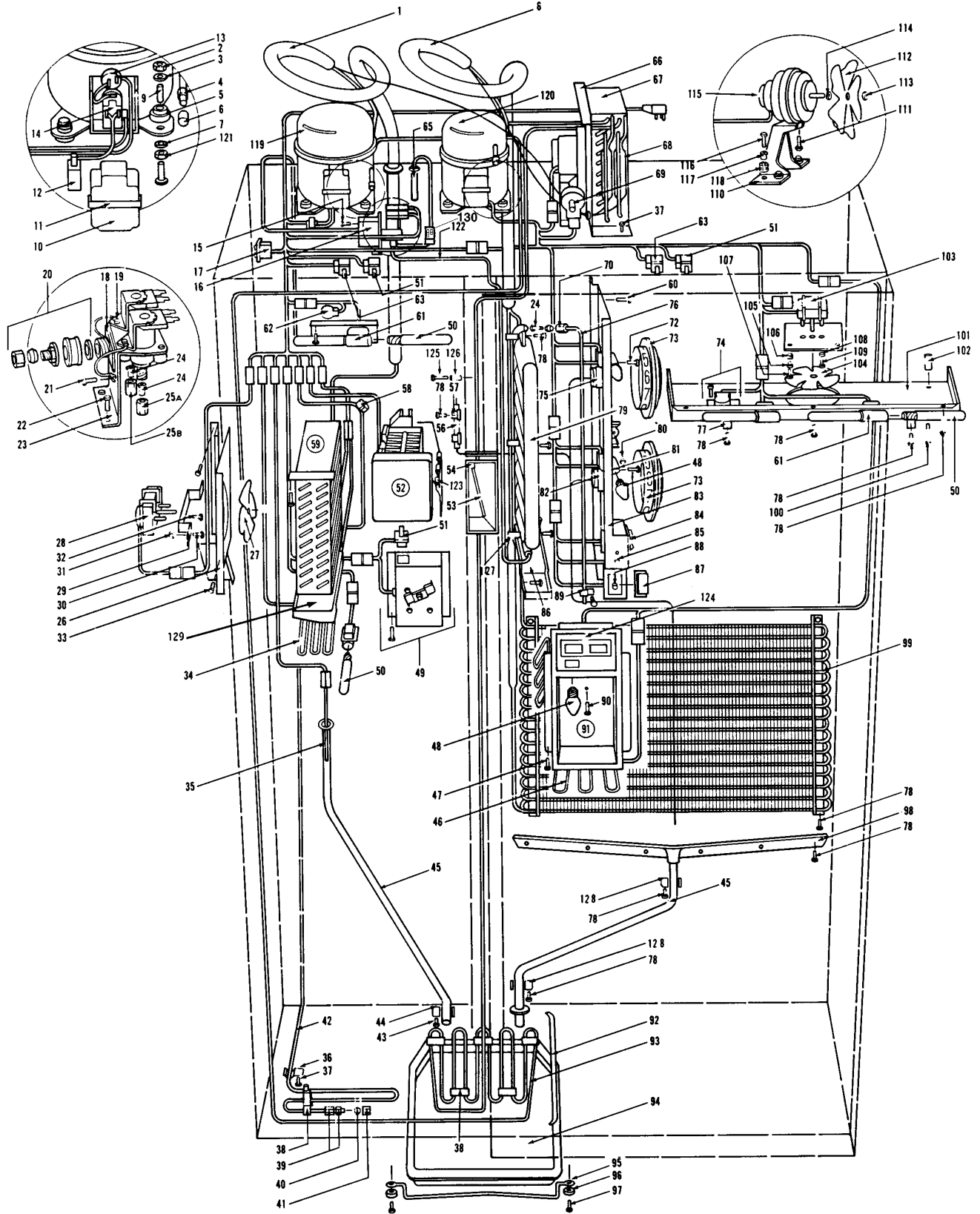
590 COSMETIC VIEW



590 SEALED SYSTEM VIEW

Ref.	Part No.	Description	Ref.	Part No.	Description
1	4251090	Heat Exchanger, Freezer	69	3081180	Service Defrost Timer, 6Hr / 21Min
2	6150220	Nut, 5/16-18 Hex Zinc	70	3520340	Water Tank Compression Nut
3	6240050	Flat Washer, 5/16"	71	6120070	Tube Clamp, Plastic, 3/8" White
4	3090080	Valve Cap -See 3090010; 3090100; 3090210; 3090220	72	6110050	Bolt, #8-32 x 3/8" Truss HD
5	3150010	Rubber Grommet, Small, 5/8"	73	3012900	Control Knob Assembly
6	3090080	Valve Cap -See 3090010; 3090100; 3090210; 3090220	74	4200850	Service Light Terminator
7	6240050	Flat Washer, 5/16"	75	4201270	Control, Ref
8	4250980	Heat Exchanger, Refrigerator	76	2600617	Plastic Water Line
9	6160030	Spacer, 5/16 x 7/16 x 5/8"	77	6220330	Plastic Support
	6160070	Sleeve, 5/16 x 7/16 x 7/8"	78	6200140	Screw, #8-15 x 3/8" Truss HD
10	****	Compressor Cap	79	4181710	Water Reservoir Tank Assembly
11	****	Compressor Strap	80	6110150	Bolt, #10-32 x 3/8" RD HD Chrome
12	****	Freezer Run Capacitor	81	4323150	Lampholder / Control Panel Light Harness
13	****	Overload Refrigerator	82	3012881	Control, Fre
	****	Overload Freezer	83	4160650	Control Assembly - NOTE: Contains both controls & Bracket
14	****	Start Relay Refrigerator		3012820	Control Support
	****	Start Relay Freezer	84	3060250	Ice System Switch
15	6200780	Screw, #10-24 x 1/2" PH Hex Washer	85	4323160	Indicator Light Assembly
16	0166620	Solenoid Connect Spray Cover		3030080	Neon Green Indicator Light
17	3060240	Master Power Switch	86	0211780	Mullion Trough
18	0166200	Solenoid Retainer	87	3060230	Bulk Ice Button
19	4201460	Dual Water Solenoid Valve	88	3060220	Bulk Ice Switch
20	3520110	Water Inlet Fitting Assembly	89	6120060	Tube Clamp, Plastic, 1/2"
21	6200060	Screw, #8-32 x 1/2" Pan HD	90	6200860	Screw, #8 x 1/2" PH TRDH Hi-lo
22	6200010	Screw, #10-12 x 3/4" Pan HD	91	G1	Glass Well-Bright White
23	0166390	Solenoid Bracket		G2	Glass Well-Almond Buff
24	3520050	Brass Insert, Solenoid		G3	Glass Well-Camel
25A	3520030	Icemaker Nylon Nut, 1/4" - 7/16" Thread		G4	Glass Well-Adobe
25B	3520320	Compression Fitting - 1/2" Thread		G5	Glass Well-Brushed Pewter (STANDARD)
26	0233340	Freezer Fan Shroud		G6	Glass Well-Smoke Gray
27	3150060	Fan Blade; Freezer; 5 prop; 5-1/2"		G7	Glass Well-Charcoal
28	4200160	Freezer Fan Motor Replacement Components		G8	Glass Well-Port Brown
				G9	Glass Well-Black Slate
29	0232770	Fan Bracket, Fre.	92	6230370	Adhesive Back Foam Strip, 1 x 1/2 x 15'
30	6110020	Bolt, #10-24 x 3/8" Truss HD	93	2604101	Condensate Heater Loop
31	6150030	Nut, #10-24 Hex SS	94	0164940	Drain Pan, Plastic
32	6110270	Bolt, #10-32 x 1/4" RD HD	95	3420760	Drain Pan Holder
33	6200150	Screw, #10 x 3/4" Type 23 Round HD	96	3420670	Screw Spacer
34	4323200	Freezer Drain Trough Heater Assy	97	6200440	Screw, #10-16 x 11/16" Type B Flat Head
35	3013540	Drain Tube Heater	98	4190160	Drain Trough Assembly
36	6120030	Tube Clamp, Plastic 1/4"	99	3130260	Evaporator, Refrig.
37	6200010	Screw, #10-12 x 3/4" Pan HD	100	6200090	Screw, #8-15 x 1-3/4" Truss HD
38	6220210	Stand-off Heater Clip	101	4160660	Fan Shroud Assembly, Ref
39	3520250	Water Inlet Fitting Assy	102	6220340	Screw Grommet / Stand-off
40	3520370	Compression Sleeve	103	4200170	Refrigerator Fan Motor Replacement Components
41	3520380	Compression Nut	104	3150210	Fan Blade, Ref Evap
	3520390	Compression Fitting, Water line	105	3520120	Brass Insert, Fan Bracket
42	2604161	Water Inlet Line Tube	106	3220250	Grommet, 3/16" x 7/16" x 9/32"
43	6200010	Screw, #10-12 x 3/4" Pan HD	107	6200130	Screw, #8-18 x 3/4" Truss HD
44	6120210	U-Clamp, 5/8"	108	6200120	Screw, #10-12 x 1/2" Truss HD
45	1601400	Drain Tube, Wire - 1/2" x 72"	109	6110270	Bolt, #10-32 x 1/4" RD HD
46	4323180	Glasswell Heater Assembly	110	1801700	Fan Bracket, Condenser
47	6200880	Screw, #8-32 x 3/8" PH RDHD Mach	111	6200490	Screw, #8-32 x 3/8" Slotted Hex T25
48	3030070	Light Bulb, 7W	112	3150320	Fan Blade, Cond, 5 prop, 7"
49	4220230	Auger Motor Assembly	113	6150410	Nut, 1/4 x 20
50	3030040	Light Bulb, Long/Narrow; 40 watt	114	3210340	Neoprene Silencer, 7/8"
51	3060130	SPST Fan/Icemaker Switch	115	4200740	Condenser Fan Motor Replacement Components
52	4200520	Complete Modular Icemaker Assembly	116	6200280	Screw, #8-18 x 1" Pan Head
	628366	Module & Motor Assembly	117	3520120	Brass Insert, Fan Bracket
53	3515940	Mullion Chute Door	118	3220160	Grommet, 3/16" x 7/16" x 9/32"
54	3421360	Chute Door Rod	119	4201400	Service Freezer Compressor
55	NA	NA	120	4201670	Service Refrigerator Compressor
56	1606700	Freezer Control Tube	121	6150220	Nut, 5/16-18 Hex Zinc
57	6120030	Tube Clamp, Plastic 1/4"	122	2600617	Plastic Water Line
58	3082060	Defrost Terminator	123	4202730	Ice Level Arm Package
59	4211070	Evaporator Assembly, Fre	124	4200960	Door Dispenser Assembly
60	6200120	Screw, #10-12 x 1/2" Truss HD	125	6200090	Screw, #8-15 x 1-3/4" Truss HD
61	3050020	Light Socket, 3/4 Double	126	6160090	Spacer, #10 x 3/8 x 1-7/16"
62	3082070	Light Terminator	127	6220430	Screw Grommet
63	3060140	SPST Light Switch	128	6120050	Tube Clamp, Plastic, 5/8"
64	6200330	Screw, #8-18 x 3/8" Pan Head	129	4190210	Freezer Drain Trough Assy - NOTE: Also Order Part 4323200
65	1606800	Water Inlet Tube	130	3081120	Fan Control Relay
66	4280560	Condenser Fan Shroud Assembly			
67	3120240	Dual Condenser			
68	3014230	Filter-Drier, High Side			

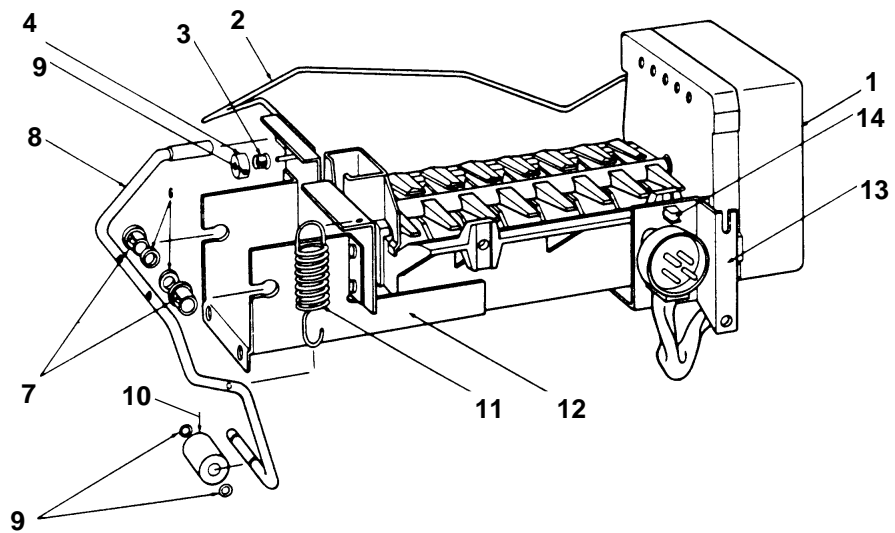
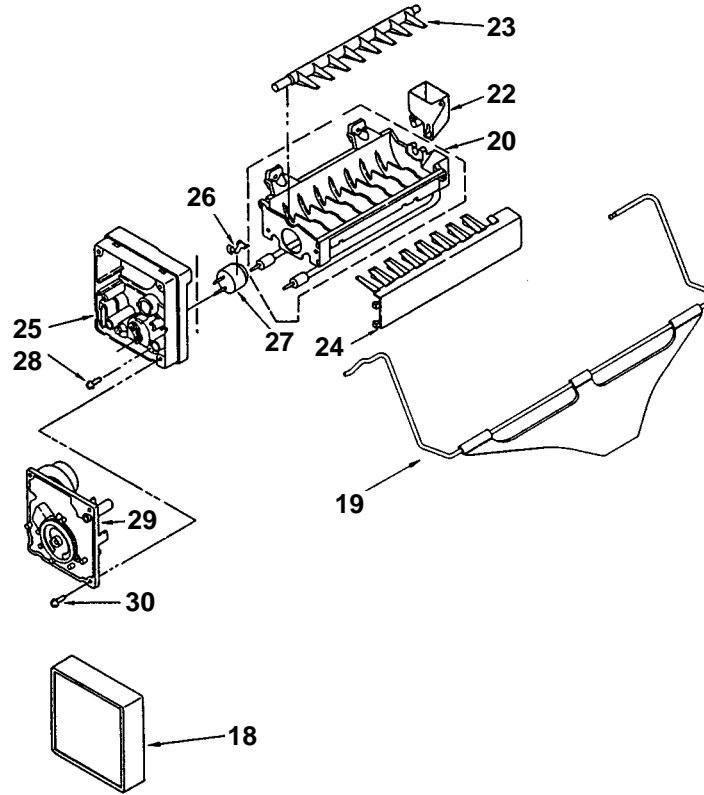
590 SEALED SYSTEM VIEW



COMPACT ICEMAKER / MODULAR ICEMAKER

Ref.	Part No.	Description	Ref.	Part No.	Description
1	4290070	Icemaker Assembly - See 4202850	14	6220220	Screw Grommet, 1/32 x 3/8" SQ
2	2809401	Shut-off Arm	18	3140160	Icemaker Cover with Instructions
3	3220200	Snap Bushing	19	4202730	Ice Level Arm Package
4	3450420	Shaft Collar	20	628228	Mold & Heater Assembly - Also order 542638 silicone
5	6110500	Set Screw, #8-32 x 3/16"	22	628356	Bearing & Inlet for Modular Icemaker
6	6240180	Nylon Washer, .437 x .260"	23	627843	Ejector
7	3220180	Snap Bushing, 3/8" x 1/4"	24	627788	Ice Stripper
8	3421190	Icemaker Arm Guide-Used on 4290070	25	627790	Support/IM Housing
9	3450330	Plastic O-Ring	26	627792	Thermostat Retainer
10	3420880	Roller	27	627985	Thermostat (Modular IM)
11	3450360	Extension Spring	28	489163	Screw #10-32 X 43/64
12	4160600	IM Sensor Return Mechanism	29	628366	Module & Motor Assembly
13	0233220	IM Bracket - Front	30	681249	Screw

COMPACT ICEMAKER / MODULAR ICEMAKER



SECTION 5

TECHNICAL DATA

TECHNICAL DATA



MODEL 501R Prior To Serial # M1204240/P1214190		MODEL 501R Starting with Serial # M1204240/P1214190	
	Refrigerator		Refrigerator
Charge (R-12 Refrigerant) Prior to # M658665/P662865 & From M658666/P662866 to M1204240/P1214190	8.0 oz. 9.0 oz.	Charge (R-134a Refrigerant)	10.0 oz
Control (normal #5 setting) Service Part No. - Cut-in/Cut-out	4201260 39.0°/31.0° F	Control (normal #5 setting) Service Part No. - Cut-in/Cut-out	4201260 39.0°/31.0° F
Compressor Service Part No. Mfg. Part No. Service Compressor Amps Service Compressor BTU's	4201670 EM30SC 0.8 318	Compressor Service Part No. Mfg. Part No. Service Compressor Amps Service Compressor BTU's	4201880 EMI30HER 0.9 280
Suction Pressure (PSIG) - Cut-in/Cut-out	39 / 18	Suction Pressure (PSIG) - Cut-in/Cut-out	36 / 15
Original Defrost Timer (Cycle) Interval Duration	----- -----	Original Defrost Timer (Cycle) Interval Duration	----- -----
Defrost Terminator - Cut-in/Cut-out	-----	Defrost Terminator - Cut-in/Cut-out	-----
Defrost Heater - Watts - Amps - Ohms	----- ----- -----	Defrost Heater - Watts - Amps - Ohms	----- ----- -----
Drain Tube Heater - Watts - Amps - Ohms	----- ----- -----	Drain Tube Heater - Watts - Amps - Ohms	----- ----- -----
Drain Trough Heater - Watts - Amps - Ohms	----- ----- -----	Drain Trough Heater - Watts - Amps - Ohms	----- ----- -----
Fill Tube Heater - Watts - Amps - Ohms	----- ----- -----	Fill Tube Heater - Watts - Amps - Ohms	----- ----- -----

MODEL 501F Prior To Serial # M/P1204990/P1214440 and except between #M/P1104940 to M/P1105139		MODEL 501F Starting with Serial # M/P1204990/P1214440 and between #M/P1104940 to M/P1105139	
	Freezer		Freezer
Charge (R-12 Refrigerant)	10.0 oz.	Charge (R-134a Refrigerant)	11.0 oz.
Control (normal #5 setting) Prior to #M66311/P679466 and from #M/P960170 to #M/P960319 and from #M/P996400 to #M/P996574 and starting with #M/P1004775. Service Part No. 3012541 - Cut-in/Cut-out 10.0° / -6.0° F From #M66311/P679466 to #M/P960170 and from #M/P960319 to #M/P996400 and from #M/P996574 to #M/P1004775. Service Part No. 3012750 - Cut-in/Cut-out -3.0°/-18.0° F		Control (normal #5 setting) Service Part No. 3012541 - Cut-in/Cut-out 10.0° / -6.0° F	
Compressor Service Part No. 4202560 Mfg. Part No. DA9L Service Compressor Amps 10.8 Service Compressor BTU's 1151		Compressor Service Part No. 4201870 Mfg. Part No. RG108 Service Compressor Amps 1.4 Service Compressor BTU's 830	
Suction Pressure (PSIG) - Cut-in/Cut-out	14 / 1	Suction Pressure (PSIG) - Cut-in/Cut-out	13 / -1" Vac
Original Defrost Timer (Cycle) Prior to #M/P960171 and from #M/P960319 to #M/P996400 and from #M/P996574 to #M/P1004775. - Interval 12 hour - Duration Continuous 15 minute From #M/P960171 to #M/P960319 and from #M/P996400 to #M/P996574 and starting with #M/P1004775. - Interval 12 hour (comp. run) - Duration 15 minute Service (6hr/21min) Part No. 3081180		Original Defrost Timer (Cycle) - Interval 12 hour (comp. run) - Duration 15 minute Service (6hr/21min) Part No. 3081180	
Defrost Terminator - Cut-in/Cut-out	30.0° / 55.0°F.	Defrost Terminator - Cut-in/Cut-out	30.0° / 55.0°F.
Defrost Heater - Watts 640 - Amps 5.5 - Ohms 2.1		Defrost Heater - Watts 640 - Amps 5.5 - Ohms 2.1	
Drain Tube Heater - Watts 15 - Amps 0.13 - Ohms 900		Drain Tube Heater - Watts 15 - Amps 0.13 - Ohms 900	
Drain Trough Heater - Watts 50 - Amps 0.4 - Ohms 260		Drain Trough Heater - Watts 50 - Amps 0.4 - Ohms 260	
Fill Tube Heater <i>(Starting with #M1184540/P1200040)</i> - Watts 5 - Amps 0.04 - Ohms 2600		Fill Tube Heater - Watts 5 - Amps 0.04 - Ohms 2600	

TECHNICAL DATA



MODEL 511 Prior To Serial # M/P1204690			MODEL 511 Starting with Serial # M/P1204690		
	Refrigerator	Freezer		Refrigerator	Freezer
Charge (R-12 Refrigerant) Prior to #M/P964470 and from #M/P964769 to #M/P1004775	7.0 oz.	8.0 oz.	Charge (R-134a Refrigerant)	10.0 oz.	8.5 oz.
From M/P9644470 to M/P964769 and from #M/P1004775 to #M/P1204690	9.0 oz.	8.0 oz.			
Control (normal #5 setting) Service Part No. - Cut-in/Cut-out	4201260 39.0°/31.0° F	3014280 14.0°/-2.0° F	Control (normal #5 setting) Service Part No. - Cut-in/Cut-out	4201260 39.0°/31.0° F	3014280 14.0°/-2.0° F
Compressor Service Part No. Mfg. Part No. Service Compressor Amps Service Compressor BTU's	4201670 EM30SC 0.8 318	4201400 D120 1.4 762	Compressor Service Part No. Mfg. Part No. Service Compressor Amps Service Compressor BTU's	4201880 EMI30HER 0.9 280	4201870 RG108 1.4 830
Suction Pressure (PSIG) - Cut-in/Cut-out	36 / 16	15 / 1	Suction Pressure (PSIG) - Cut-in/Cut-out	38 / 16	14 / -2" Vac
Original Defrost Timer (Cycle) Prior to #M/P964470 and from #M/P964769 to #M/P1004775	Interval ---- Duration ----	12 Hour Continuous 15 Minutes	Original Defrost Timer (Cycle) Interval ---- Duration ---- Service (6hr/21min) Part No. ----	---- ---- ----	24 Hour (comp. run) 20 Minutes 3081180
From #M/P964470 to #M/P964769 and from #M/P1004775 to #M/P1204690	Interval ---- Duration ---- Service (6hr/21min) Part No. ----	24 Hour (comp. run) 20 Minutes 3081180			
Defrost Terminator - Cut-in/Cut-out	----	30.0°/55.0°F	Defrost Terminator - Cut-in/Cut-out	----	30.0°/55.0°F
Defrost Heater - Watts - Amps - Ohms	---- ---- ----	640 5.5 21	Defrost Heater - Watts - Amps - Ohms	---- ---- ----	640 5.5 21
Drain Tube Heater - Watts - Amps - Ohms	---- ---- ----	7 0.06 1890	Drain Tube Heater - Watts - Amps - Ohms	---- ---- ----	7 0.06 1890
Drain Trough Heater - Watts - Amps - Ohms	---- ---- ----	---- ---- ----	Drain Trough Heater - Watts - Amps - Ohms	---- ---- ----	---- ---- ----
Fill Tube Heater - Watts - Amps - Ohms	---- ---- ----	5 0.04 2600	Fill Tube Heater - Watts - Amps - Ohms	---- ---- ----	5 0.04 2600

MODEL 532 Prior To Serial # M1206090/P1213890 except between #M/P185040 to #M/P1185139, and except between #M/P1203740 to #M/P1203839			MODEL 532 Starting with Serial # M1206090/P1213890 and between #M/P185040 to #M/P1185139, and between #M/P1203740 to #M/P1203839		
	Refrigerator	Freezer		Refrigerator	Freezer
Charge (R-12 Refrigerant) Prior to #M681568 From #M681568/P612141 to #M/P964770 and from #M/P965069 to #M/P1004775 From #M/P964770 to #M/P965069 and from #M/P1004775 to #M/P1185040 and from #M/P1185139 to #M/P1203740 and from #M/P1203839 to #M1206090/P1213890	11.0 oz.	12.0 oz.	Charge (R-134a Refrigerant)	10.0 oz.	9.0 oz.
Control (normal #5 setting) Prior to #M681568/P612141 Service Part No. 4201260 - Cut-in/Cut-out 39.0°/31.0° F Starting with #M681568/P612141 Service Part No. 4201260 - Cut-in/Cut-out 39.0°/31.0° F		3012670 1.5°/-5.0° F	Control (normal #5 setting) Service Part No. - Cut-in/Cut-out	4201260 39.0°/31.0° F	3012742 -1.5°/-8.5° F
Compressor Service Part No. 4201670 Mfg. Part No. EM30SC Service Compressor Amps 0.8 Service Compressor BTU's 318		4201400 D120 1.4 762	Compressor Service Part No. Mfg. Part No. Service Compressor Amps Service Compressor BTU's	4201880 EMI30HER 0.9 280	4202250 DA73 1.4 860
Suction Pressure (PSIG) Prior to #M681568/P612141 - Cut-in/Cut-out Starting with #M681568/P612141 - Cut-in/Cut-out	36 / 16 36 / 16	10 / 1 13 / 4	Suction Pressure (PSIG) - Cut-in/Cut-out	38 / 11	9 / -1" Vac
Original Defrost Timer (Cycle) Prior to #M681568/P612141 Interval ---- Duration ---- From #M681568/P612141 to #M/P964770 and from #M/P965069 to #M/P1004775 Interval ---- Duration ---- From #M/P964770 to M/P965069 and from #M/P1004775 to #M1206090/P1213890 Interval ---- Duration ---- Service (6hr/21min) Part No. ----		12 Hour Continuous 15 Minutes 24 Hour (comp. run) 15 Minutes 24 Hour (comp. run) 20 Minutes 3081180	Original Defrost Timer (Cycle) Interval ---- Duration ---- Service (6hr/21min) Part No. ----		24 Hour (comp. run) 20 Minutes 3081180
Defrost Terminator - Cut-in/Cut-out	----	30.0°/55.0°F	Defrost Terminator - Cut-in/Cut-out	----	30.0°/55.0°F
Defrost Heater - Watts ---- - Amps ---- - Ohms ----		640 5.5 21	Defrost Heater - Watts ---- - Amps ---- - Ohms ----		640 5.5 21
Drain Tube Heater - Watts ---- - Amps ---- - Ohms ----		7 0.06 1890	Drain Tube Heater - Watts ---- - Amps ---- - Ohms ----		7 0.06 1890
Drain Trough Heater - Watts ---- - Amps ---- - Ohms ----		----- ----- -----	Drain Trough Heater - Watts ---- - Amps ---- - Ohms ----		----- ----- -----
Fill Tube Heater - Watts ---- - Amps ---- - Ohms ----		5 0.04 2600	Fill Tube Heater - Watts ---- - Amps ---- - Ohms ----		5 0.04 2600

TECHNICAL DATA



MODEL 542		
	Refrigerator	Freezer
Charge (R-134a Refrigerant)	9.0 oz.	7.5 oz.
Control (normal #5 setting)		
Service Part No.	4201260	4202742
- Cut-in/Cut-out	39.0°/31.0° F	-1.5°/-8.5° F
Compressor		
Service Part No.	4201880	4202250
Mfg. Part No.	EMI30HER	DA73
Service Compressor Amps	0.9	1.4
Service Compressor BTU's	280	860
Suction Pressure (PSIG)		
- Cut-in/Cut-out	38 / 11	9 / -1" Vac
Original Defrost Timer (Cycle)		
Interval	----	24 Hour (comp. run)
Duration	----	20 Minutes
Service (6hr/21min) Part No.	----	3081180
Defrost Terminator		
- Cut-in/Cut-out	----	30.0°/55.0°F
Defrost Heater		
- Watts	----	516
- Amps	----	4.5
- Ohms	----	26
Drain Tube Heater		
- Watts	----	7
- Amps	----	0.06
- Ohms	----	1890
Drain Trough Heater		
- Watts	----	-----
- Amps	----	-----
- Ohms	----	-----
Fill Tube Heater		
- Watts	----	5
- Amps	----	0.04
- Ohms	----	2600

MODEL 550 Prior To Serial # M1204990/P1214590 except between #M/P1184141 to #M/P1184239			MODEL 550 Starting with Serial # M1204990/P1214590 and between #M/P1184141 to #M/P1184239		
	Refrigerator	Freezer		Refrigerator	Freezer
Charge (R-12 Refrigerant) Prior to #M/P681166 From #M/P681166 to #M/P964070 and from #M/P964496 to #M/P1004775 From #M/P964070 to #M/P964496 and from #M/P1004775 to #M/P1184141 and from #M/P1184239 to #M1204990/P1214590	10.0 oz. 7.0 oz. 8.0 oz.	14.0 oz. 8.0 oz. 11.0 oz.	Charge (R-134a Refrigerant) From #M/P1184140 to #M/P1184239 Starting with #M1204990/P1214590	10.0 oz. 8.0 oz.	9.5 oz. 6.0 oz.
Control (normal #5 setting) Service Part No. - Cut-in/Cut-out	4201260 39.0°/31.0° F	3014280 14.0°/-2.0° F	Control (normal #5 setting) Service Part No. - Cut-in/Cut-out	4201260 39.0°/31.0° F	3014280 14.0°/-2.0° F
Compressor Service Part No. Mfg. Part No. Service Compressor Amps Service Compressor BTU's	4201670 EM30SC 0.8 318	4201400 D120 1.4 762	Compressor Service Part No. Mfg. Part No. Service Compressor Amps Service Compressor BTU's	4201880 EMI30HER 0.9 280	4202250 DA73 1.4 860
Suction Pressure (PSIG) - Cut-in/Cut-out	36 / 16	13 / 1	Suction Pressure (PSIG) - Cut-in/Cut-out	40 / 6	12 / -2" Vac
Original Defrost Timer (Cycle) Prior to #M/P681166 Interval Duration From #M/P681166 to #M/P964070 and from #M/P964496 to #M/P1004775 Interval Duration From #M/P964070 to M/P964496 and from #M/P1004775 to #M1204990/P1214590 Interval Duration Service (6hr/21min) Part No.	---- ---- ---- ---- ---- ---- ----	12 Hour Continuous 15 Minutes 12 Hour (comp. run) 15 Minutes 24 Hour (comp. run) 20 Minutes 3081180	Original Defrost Timer (Cycle) Interval Duration Service (6hr/21min) Part No.	---- ---- ----	24 Hour (comp. run) 20 Minutes 3081880
Defrost Terminator - Cut-in/Cut-out	----	30.0°/55.0°F	Defrost Terminator - Cut-in/Cut-out	----	30.0°/55.0°F
Defrost Heater - Watts - Amps - Ohms	---- ---- ----	640 5.5 21	Defrost Heater - Watts - Amps - Ohms	---- ---- ----	640 5.5 21
Drain Tube Heater - Watts - Amps - Ohms	---- ---- ----	7 0.06 1890	Drain Tube Heater - Watts - Amps - Ohms	---- ---- ----	7 0.06 1890
Drain Trough Heater - Watts - Amps - Ohms	---- ---- ----	---- ---- ----	Drain Trough Heater - Watts - Amps - Ohms	---- ---- ----	---- ---- ----
Fill Tube Heater Starting with #M1184540/P1200040 - Watts - Amps - Ohms	---- ---- ----	5 0.04 2600	Fill Tube Heater - Watts - Amps - Ohms	---- ---- ----	5 0.04 2600

TECHNICAL DATA



MODEL 561 Prior To Serial # M/P1198140/P1213190			MODEL 561 Starting with Serial # M/P1198140/P1213190		
	Refrigerator	Freezer		Refrigerator	Freezer
Charge (R-12 Refrigerant) Prior to #M/P965470 and from #M/P965869 to #M/P1004775 From #M/P965470 to #M/P965869 and from #M/P1004775 to #M/P1198140/P1213190	7.0 oz. 8.0 oz.	8.0 oz. 9.5 oz.	Charge (R-134a Refrigerant)	7.0 oz.	7.0 oz.
Control (normal #5 setting) Service Part No. - Cut-in/Cut-out	4201260 39.0°/31.0° F	3012742 -1.5°/-8.5° F	Control (normal #5 setting) Service Part No. - Cut-in/Cut-out	4201260 39.0°/31.0° F	3012742 -1.5°/-8.5° F
Compressor Service Part No. Mfg. Part No. Service Compressor Amps Service Compressor BTU's	4201670 EM30SC 0.8 318	4201400 D120 1.4 762	Compressor Service Part No. Mfg. Part No. Service Compressor Amps Service Compressor BTU's	4201880 EMI30HER 0.9 280	4202250 DA73 1.4 860
Suction Pressure (PSIG) - Cut-in/Cut-out	36 / 16	15 / 4	Suction Pressure (PSIG) - Cut-in/Cut-out	35 / 9	8 / -1" Vac
Original Defrost Timer (Cycle) Prior to #M/P816264 Interval Duration From #M/P816264 to #M/P965470 and from #M/P965869 to #M/P1004775 Interval Duration From #M/P965470 to #M/P965869 and from #M/P965869 to #M/P1198140/P1213190 Interval Duration Service (6hr/21min) Part No.	---- ---- ---- ---- ---- ----	12 Hour Continuous 15 Minutes 12 Hour (comp. run) 15 Minutes 24 Hour (comp. run) 20 Minutes 3081180	Original Defrost Timer (Cycle) Interval Duration Service (6hr/21min) Part No.	---- ---- ----	24 Hour (comp. run) 20 Minutes 3081180
Defrost Terminator - Cut-in/Cut-out	----	30.0°/55.0°F	Defrost Terminator - Cut-in/Cut-out	----	30.0°/55.0°F
Defrost Heater - Watts - Amps - Ohms	---- ---- ----	640 5.5 21	Defrost Heater - Watts - Amps - Ohms	---- ---- ----	640 5.5 21
Drain Tube Heater - Watts - Amps - Ohms	---- ---- ----	7 0.06 1890	Drain Tube Heater - Watts - Amps - Ohms	---- ---- ----	7 0.06 1890
Drain Trough Heater - Watts - Amps - Ohms	---- ---- ----	---- ---- ----	Drain Trough Heater - Watts - Amps - Ohms	---- ---- ----	---- ---- ----
Fill Tube Heater Starting with #M1184540/P1200040 - Watts - Amps - Ohms	---- ---- ----	5 0.04 2600	Fill Tube Heater - Watts - Amps - Ohms	---- ---- ----	5 0.04 2600

MODEL 590 Prior To Serial # M/P1197840			MODEL 590 Starting with Serial # M/P1197840		
	Refrigerator	Freezer		Refrigerator	Freezer
Charge (R-12 Refrigerant) Prior to #M/P965870 and from #M/P966269to #M/P1004775 From #M/P965870 to #M/P966269 and from #M/P1004775 to #M/P1198740	7.0 oz. 10.0 oz.	9.0 oz. 9.0 oz.	Charge (R-134a Refrigerant)	7.0 oz.	9.0 oz.
Control (normal #5 setting) Service Part No. - Cut-in/Cut-out	4201270 37.0°/35.0° F	3012881 4.0°/-6.0° F	Control (normal #5 setting) Service Part No. - Cut-in/Cut-out	4201270 37.0°/35.0° F	3012881 4.0°/-6.0° F
Compressor Service Part No. Mfg. Part No. Service Compressor Amps Service Compressor BTU's	4201670 EM30SC 0.8 318	4201400 D120 1.4 762	Compressor Service Part No. Mfg. Part No. Service Compressor Amps Service Compressor BTU's	4201880 EMI30HER 0.8 280	4202250 DA73 1.4 860
Suction Pressure (PSIG) - Cut-in/Cut-out	36 / 16	10 / 1	Suction Pressure (PSIG) - Cut-in/Cut-out	39 / 9	10 / -1" Vac
Original Defrost Timer (Cycle) Prior to #M/P965870 and from #M/P966269 to#M/P1004775 Interval Duration From#M/P965870 to #M/P966269 and from #M/P1004775 to #M/P1197840 Interval Duration Service (6hr/21min) Part No.	---- ---- ---- ---- ----	12 Hour (comp. run) 15 Minutes 24 Hour (comp. run) 20 Minutes 3081180	Original Defrost Timer (Cycle) Interval Duration Service (6hr/21min) Part No.	---- ---- ----	24 Hour (comp. run) 20 Minutes 3081180
Defrost Terminator - Cut-in/Cut-out	----	30.0°/55.0°F	Defrost Terminator - Cut-in/Cut-out	----	30.0°/55.0°F
Defrost Heater - Watts - Amps - Ohms	---- ---- ----	640 5.5 21	Defrost Heater - Watts - Amps - Ohms	---- ---- ----	640 5.5 21
Drain Tube Heater - Watts - Amps - Ohms	---- ---- ----	7 0.06 1890	Drain Tube Heater - Watts - Amps - Ohms	---- ---- ----	7 0.06 1890
Drain Trough Heater - Watts - Amps - Ohms	---- ---- ----	15 0.13 960	Drain Trough Heater - Watts - Amps - Ohms	---- ---- ----	15 0.13 960
Fill Tube Heater Starting with #M1184540/P1200040 - Watts - Amps - Ohms	---- ---- ----	5 0.04 2600	Fill Tube Heater - Watts - Amps - Ohms	---- ---- ----	5 0.04 2600
Mullion Chute Heater - Watts - Amps - Ohms	---- ---- ----	15 0.13 960	Mullion Chute Heater - Watts - Amps - Ohms	---- ---- ----	15 0.13 960
Glass Well Heater - Watts - Amps - Ohms	---- ---- ----	5 0.04 2880	Glass Well Heater - Watts - Amps - Ohms	---- ---- ----	5 0.04 2880

SECTION 6

WIRING DIAGRAMS & SCHEMATICS

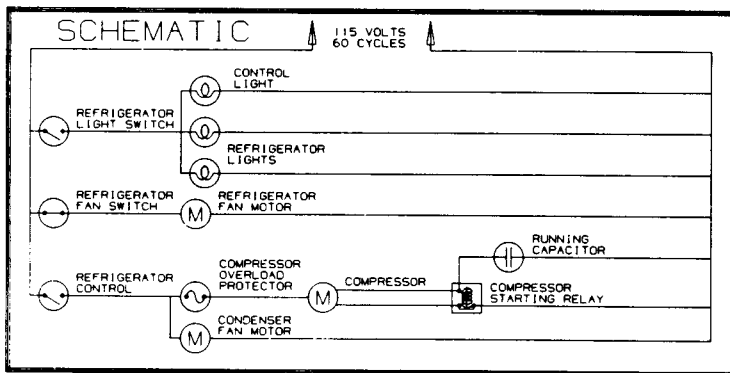
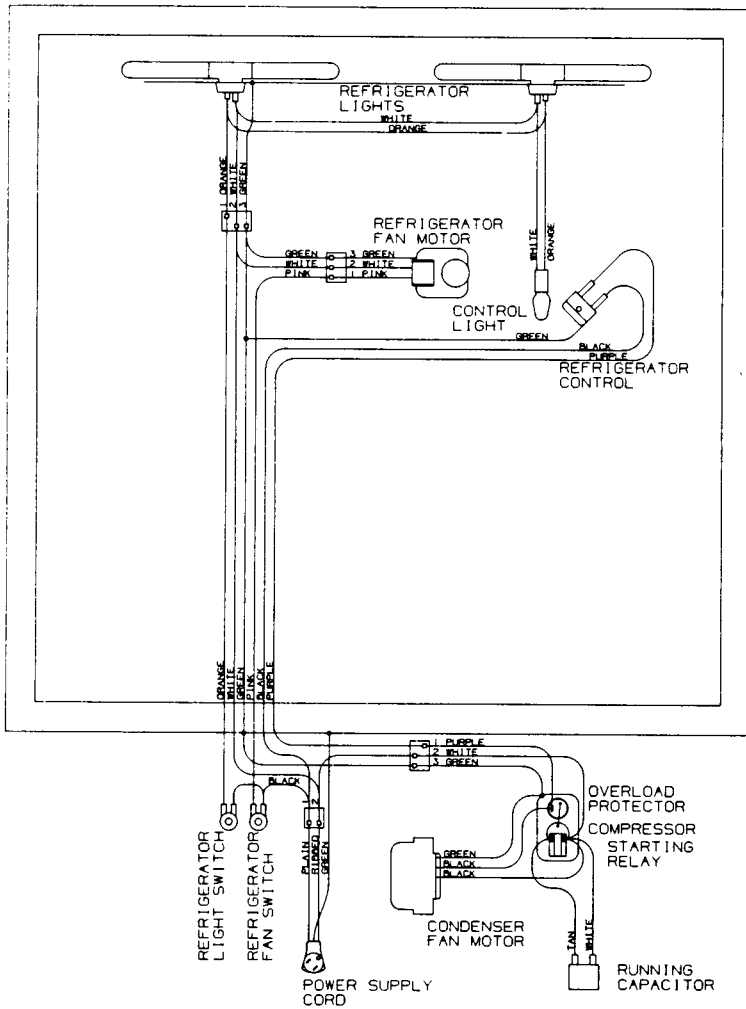
ATTENTION SERVICER: For the first eight years of production, the wiring of 500 Series units differed between the Madison and Phoenix facilities. This means that the wiring diagrams for Madison and Phoenix also differed for the first eight years.

The wiring diagrams in this section are in the best possible Serial Number order, with the diagrams applying to Madison production units preceding those applying to Phoenix production units. In some instances it is necessary to skip over pages to reach the continuation of the next set of applicable serial numbers. This is indicated in a "NOTE" at the top of the appropriate pages.

Before referencing any wiring diagrams in this section, you must know where the unit in question was produced, this is indicated by a "M" (for Madison production) or a "P" (for Phoenix production) at the beginning of the serial number on the serial tag.

WIRING DIAGRAM & SCHEMATIC - 501R
 Madison Production Prior to Serial #M723972
 (NOTE: See Page 6-4 for start of Phoenix Production Wiring Diagrams)

WIRING DIAGRAM
 MODEL 501R



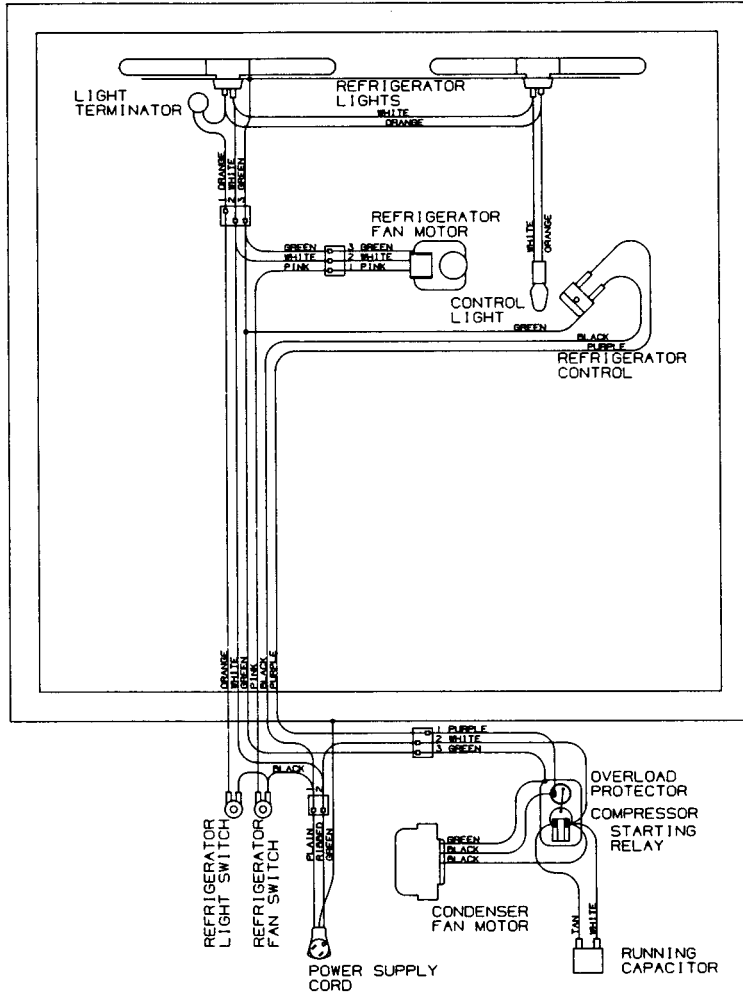
⚠ WARNING

This wiring information is provided for use by qualified service personnel only.
 Disconnect appliance from electrical supply before beginning service.
 Be sure all grounding devices are connected when service is completed.
 Failure to observe the above warnings may result in severe electrical shock.

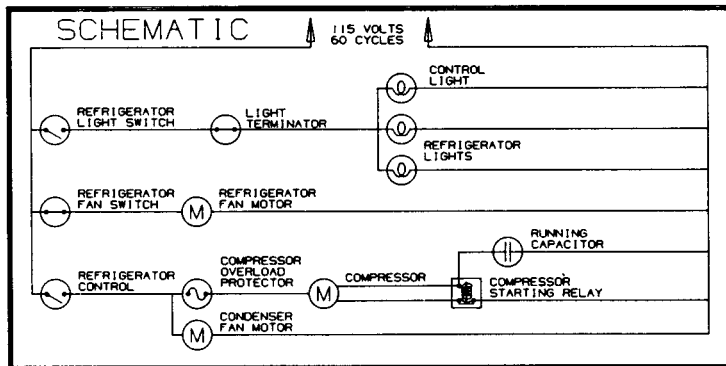
WIRING DIAGRAM & SCHEMATIC - 501R

Madison Production From Serial #M723972 to #M821354

(NOTE: See Page 6-5 for continuation of the next applicable Madison Production serial numbers)



WIRING DIAGRAM
MODEL 501R

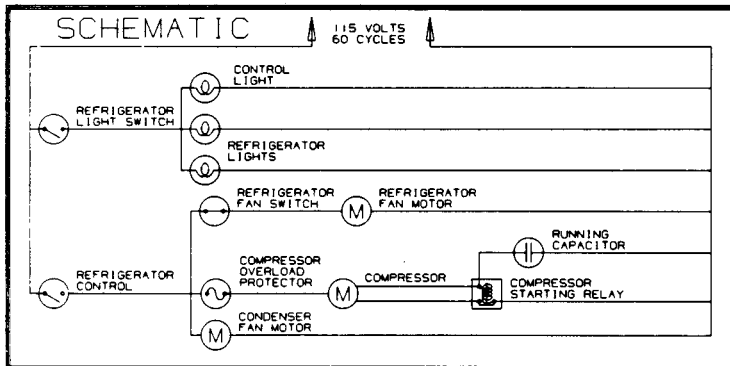
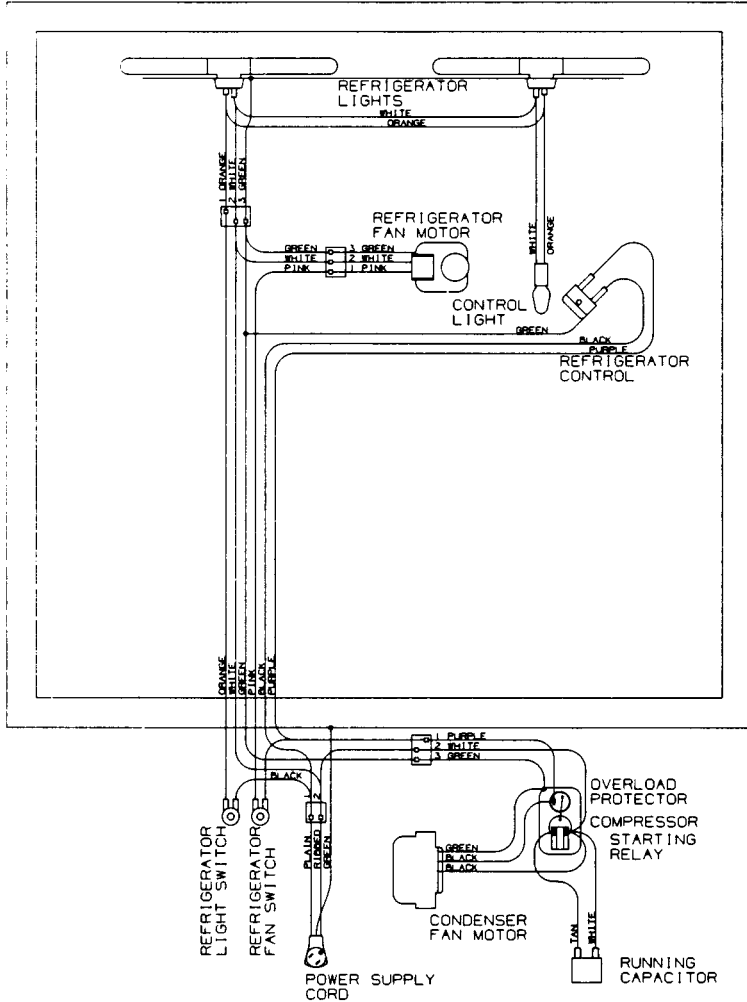


⚠ WARNING

This wiring information is provided for use by qualified service personnel only.
Disconnect appliance from electrical supply before beginning service.
Be sure all grounding devices are connected when service is completed.
Failure to observe the above warnings may result in severe electrical shock.

WIRING DIAGRAM & SCHEMATIC - 501R
Phoenix Production Prior to Serial #P725922

WIRING DIAGRAM
MODEL 501R

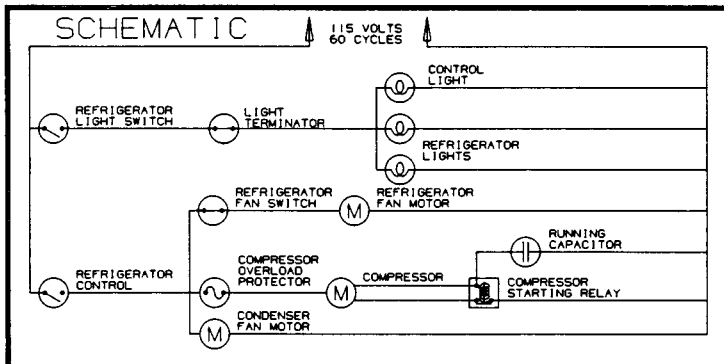
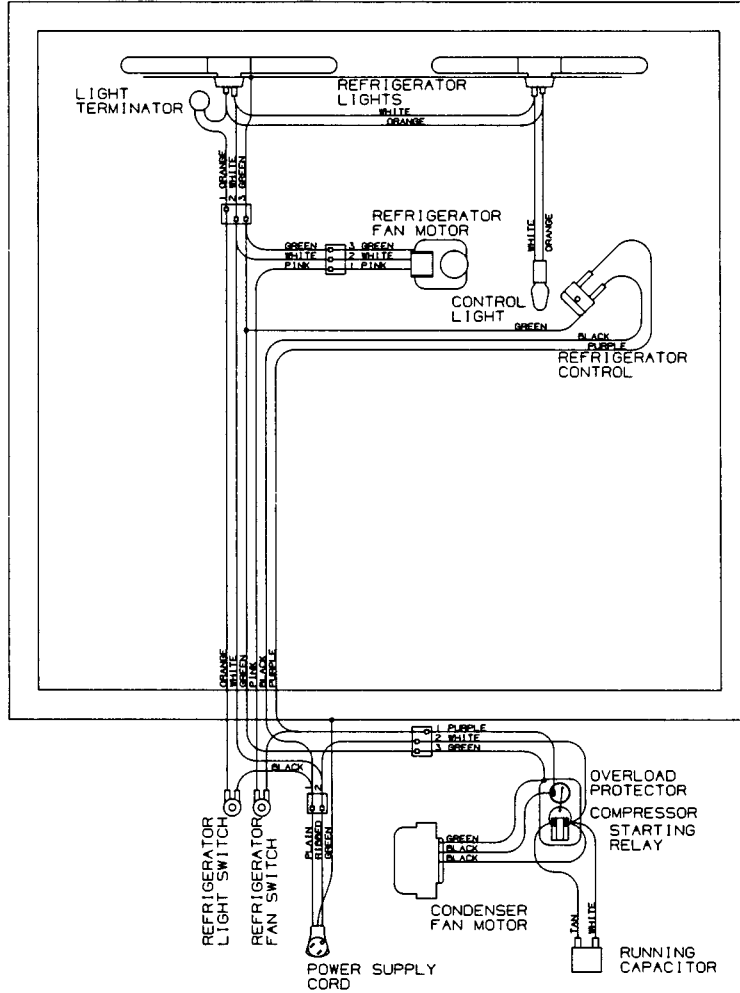


⚠ WARNING

This wiring information is provided for use by qualified service personnel only.
Disconnect appliance from electrical supply before beginning service.
Be sure all grounding devices are connected when service is completed.
Failure to observe the above warnings may result in severe electrical shock.

WIRING DIAGRAM & SCHEMATIC - 501R
 Madison/Phoenix Production From Serial #M821354/P725922 to #M/P1004775, except
 between #M959920 to #M960169

WIRING DIAGRAM
 MODEL 501R

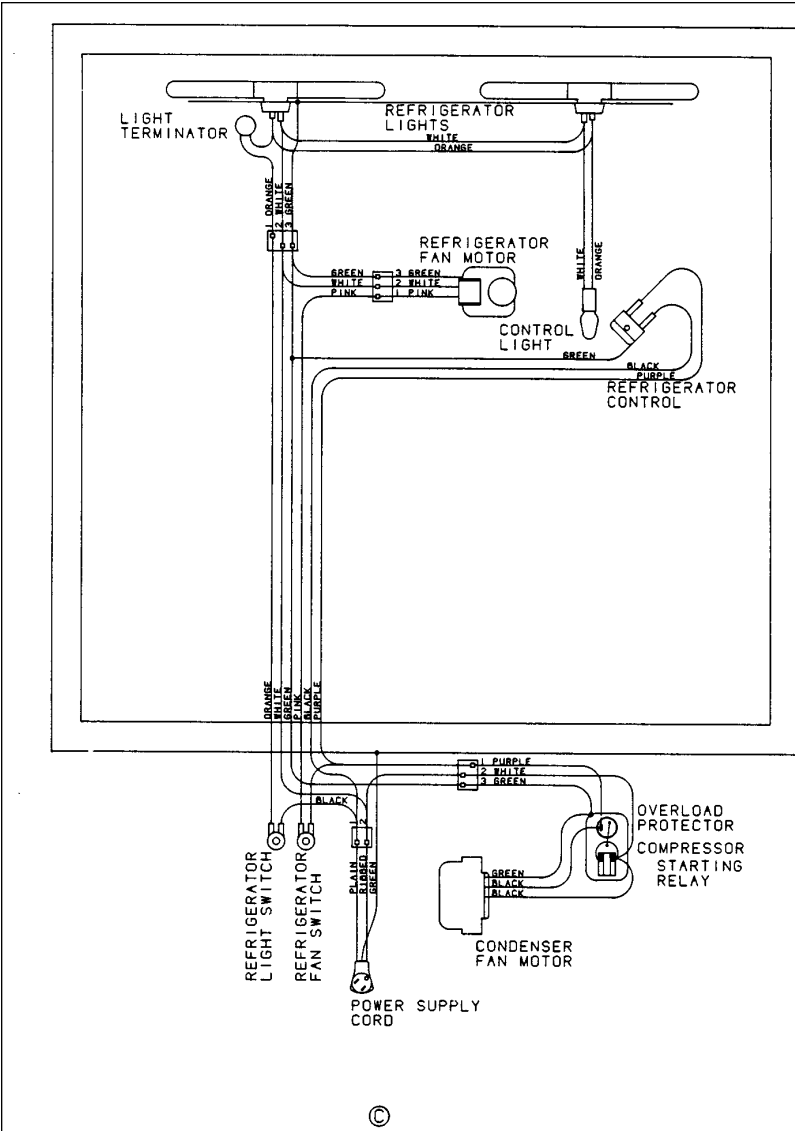


⚠ WARNING

This wiring information is provided for use by qualified service personnel only.
 Disconnect appliance from electrical supply before beginning service.
 Be sure all grounding devices are connected when service is completed.
 Failure to observe the above warnings may result in severe electrical shock.

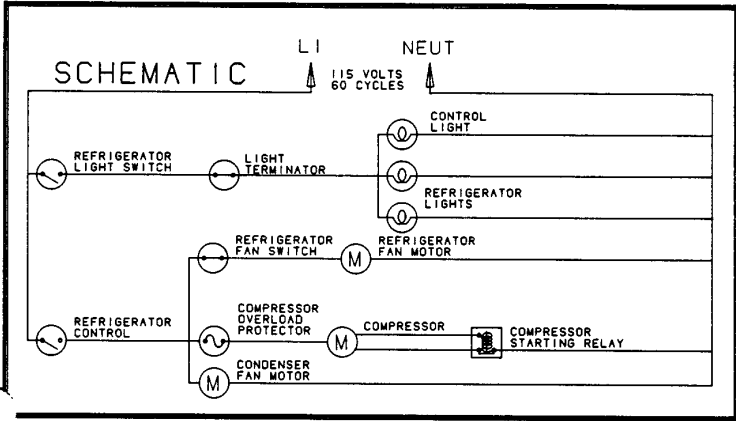
WIRING DIAGRAM & SCHEMATIC - 501R
Madison/Phoenix Production Starting with Serial #M/P1004775 and between
#M959920 to #M960169

WIRING DIAGRAM
MODEL 501R



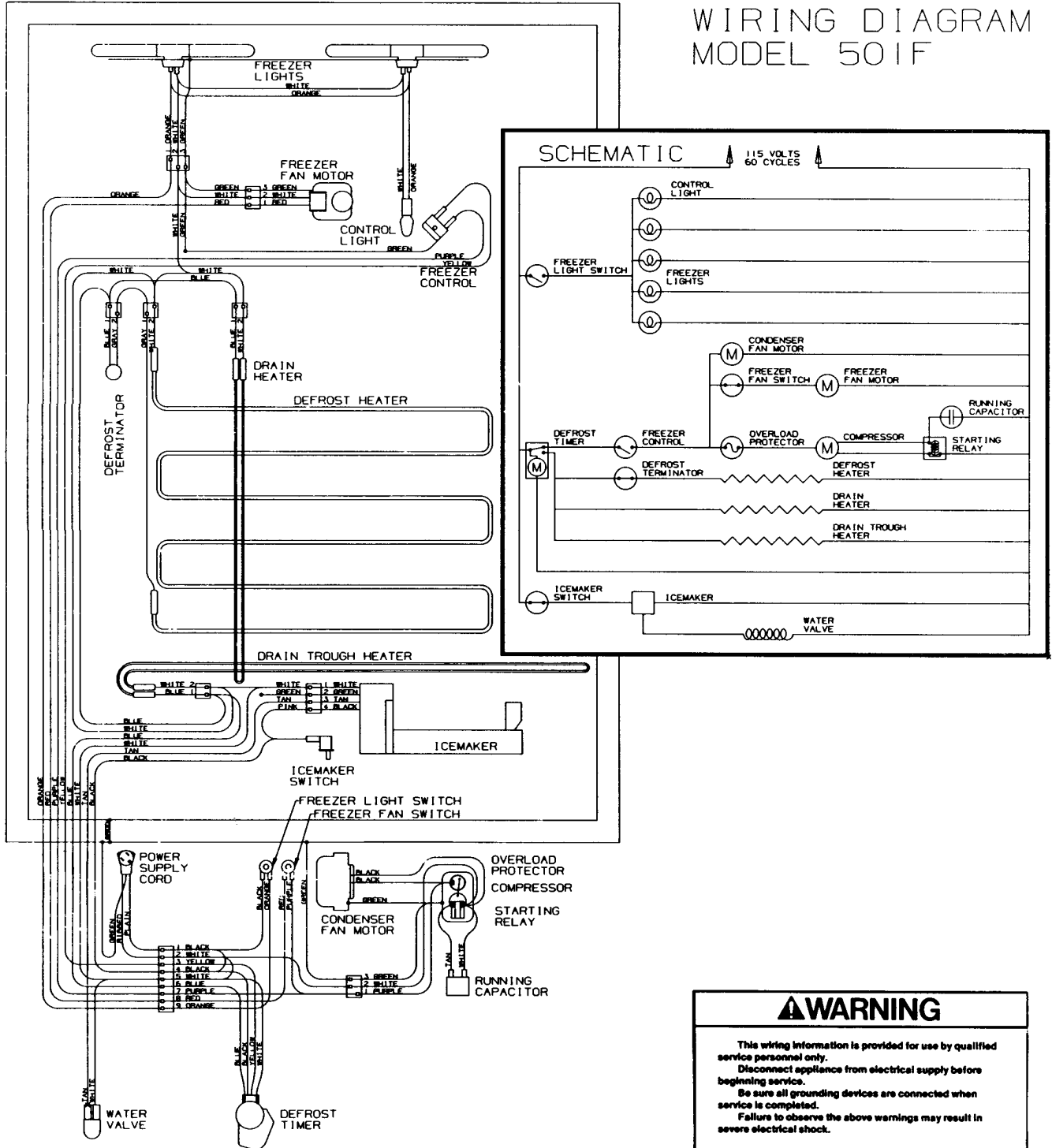
⚠ WARNING

This wiring information is provided for use by qualified service personnel only. Disconnect appliance from electrical supply before beginning service. Be sure all grounding devices are connected when service is completed. Failure to observe the above warnings may result in severe electrical shock.



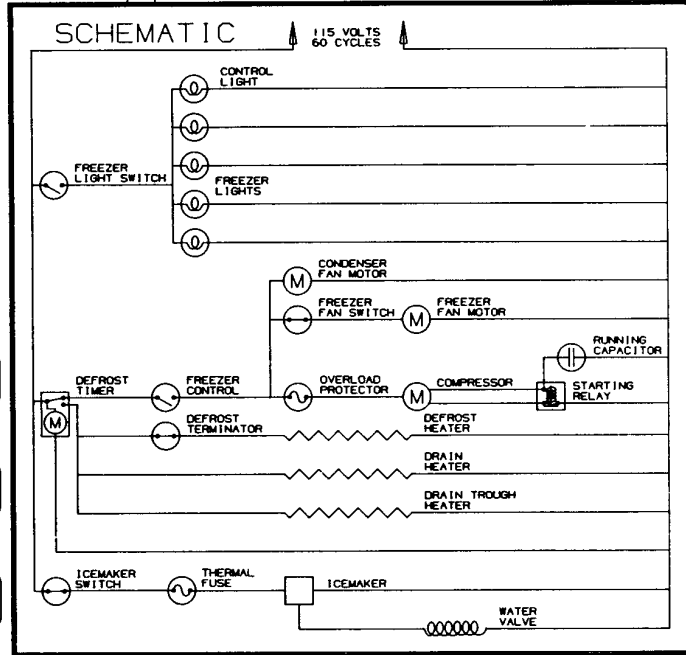
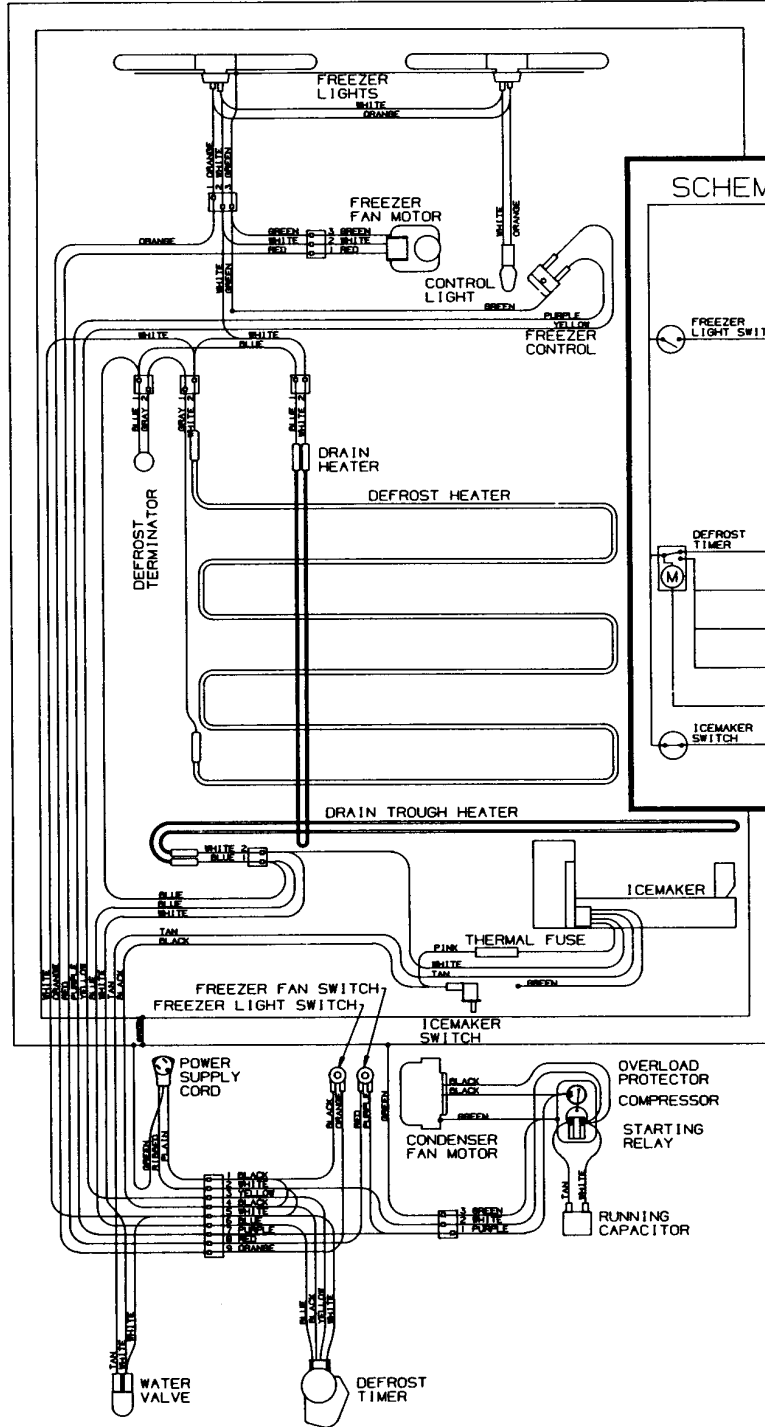
WIRING DIAGRAM & SCHEMATIC - 501F
Madison Production Prior to Serial #M675466
(NOTE: See Page 6-11 for start of Phoenix Production Wiring Diagrams)

WIRING DIAGRAM
 MODEL 501F



WIRING DIAGRAM & SCHEMATIC - 501F
 Madison Production From Serial #M675466 to #M724222

WIRING DIAGRAM
 MODEL 501F

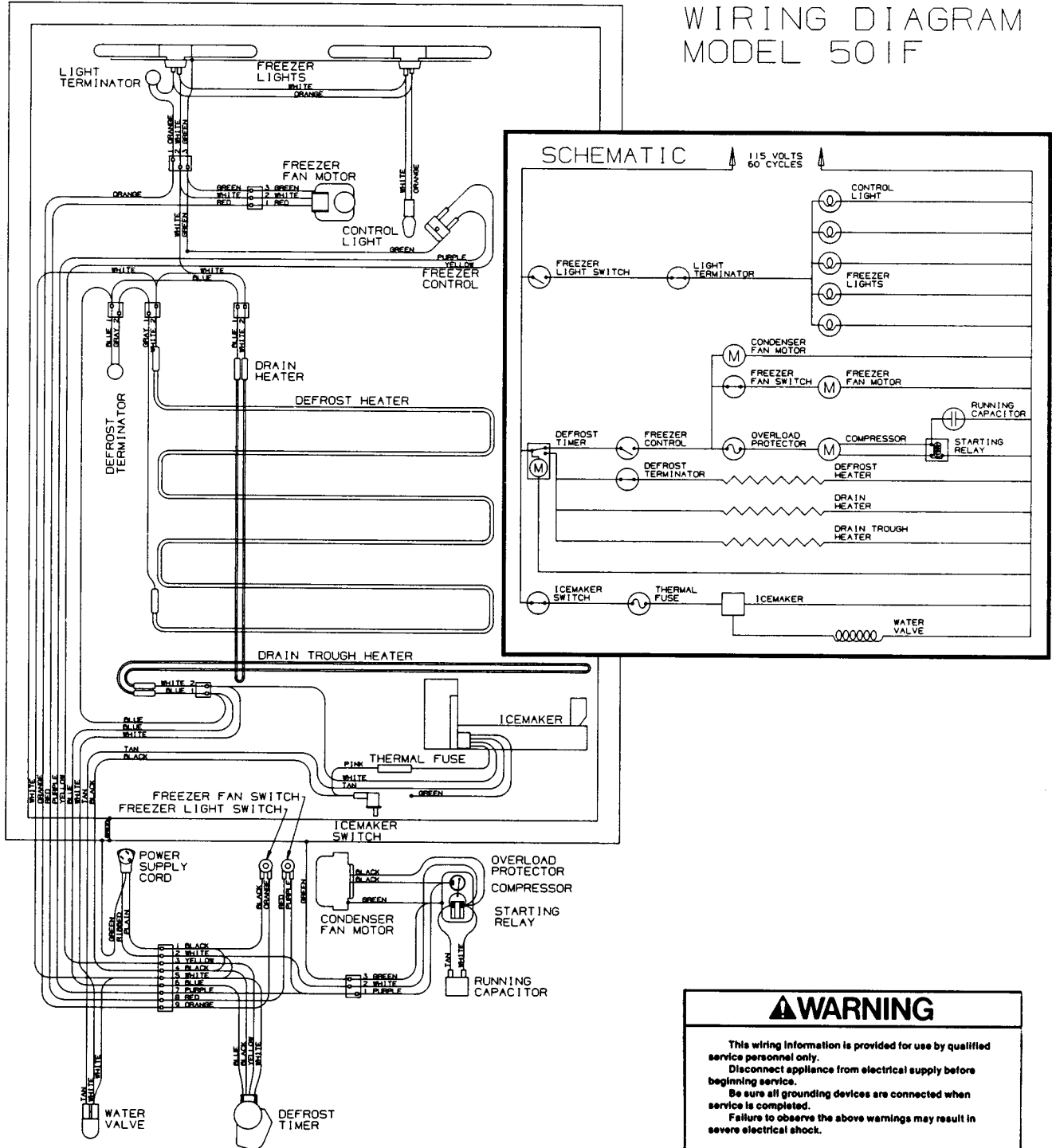


⚠ WARNING

This wiring information is provided for use by qualified service personnel only. Disconnect appliance from electrical supply before beginning service. Be sure all grounding devices are connected when service is completed. Failure to observe the above warnings may result in severe electrical shock.

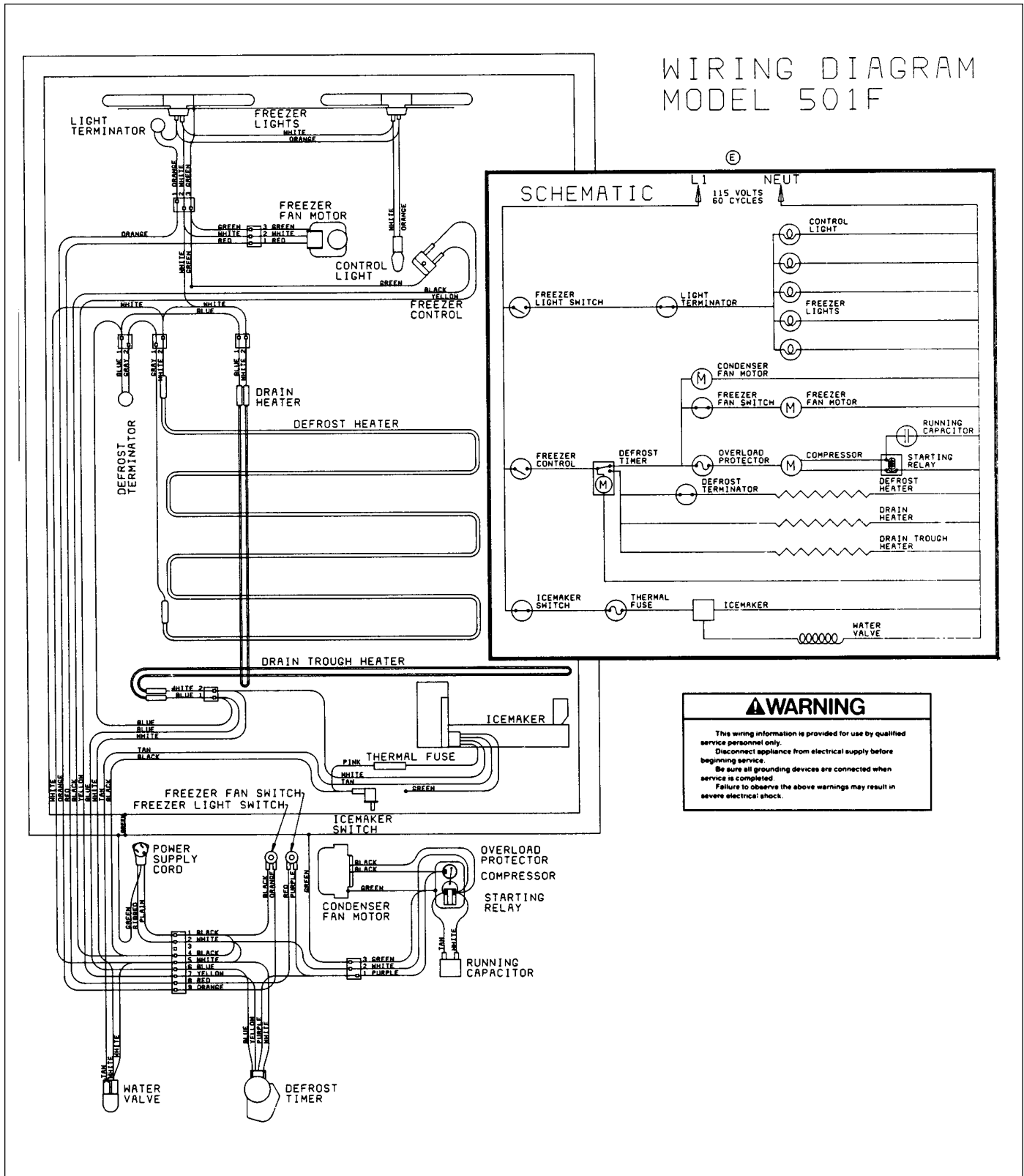
WIRING DIAGRAM & SCHEMATIC - 501F
Madison Production From Serial #M724222 to #M834904

**WIRING DIAGRAM
 MODEL 501F**

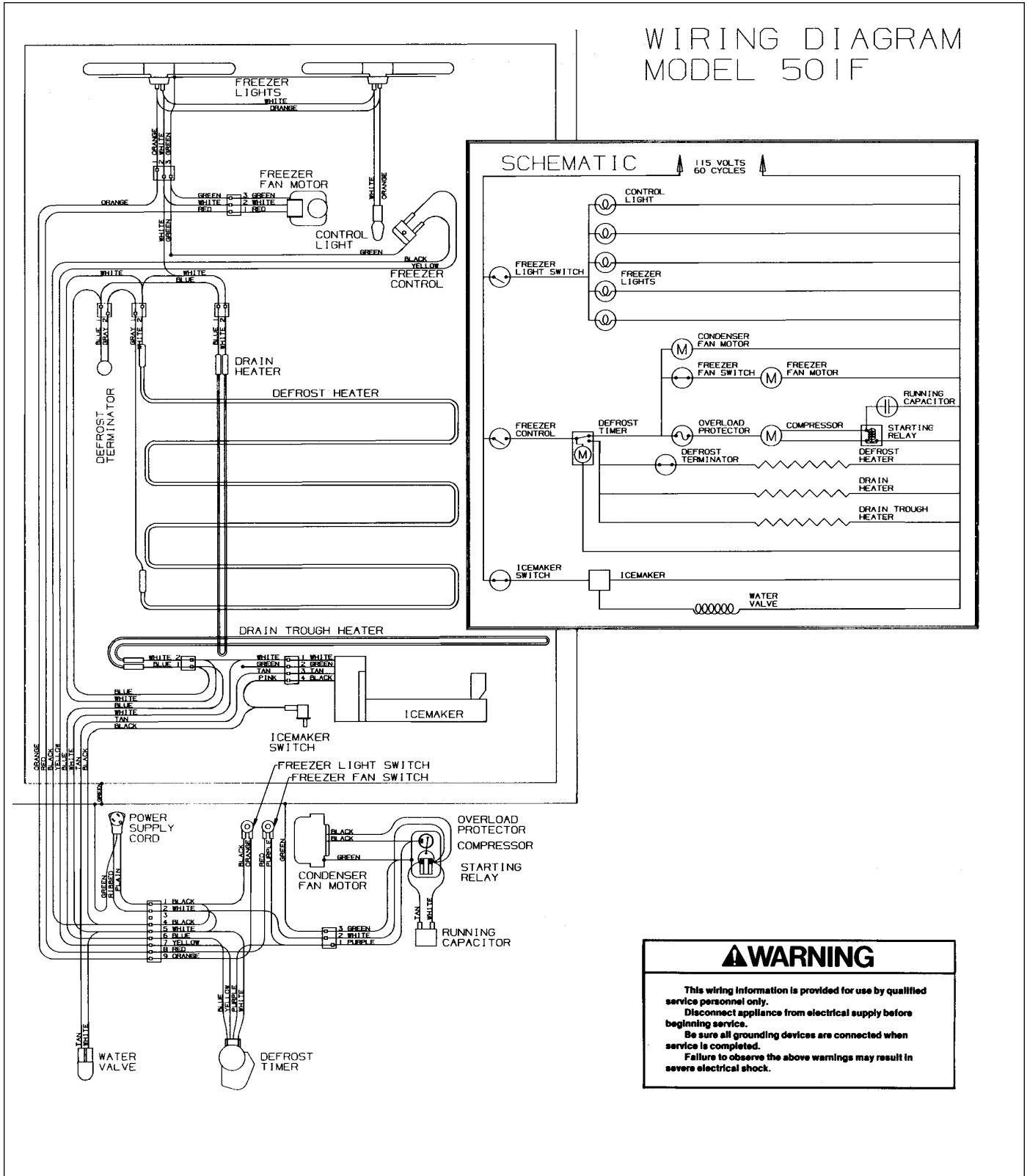


WIRING DIAGRAM & SCHEMATIC - 501F
 Madison Production From Serial #M834904 to #M/P1004775, Except
 Between #M959920 to #M960169

(NOTE: See Page 6-14 for continuation of the next applicable Madison Production serial numbers)



WIRING DIAGRAM & SCHEMATIC - 501F
 Phoenix Production Prior to Serial #P677466

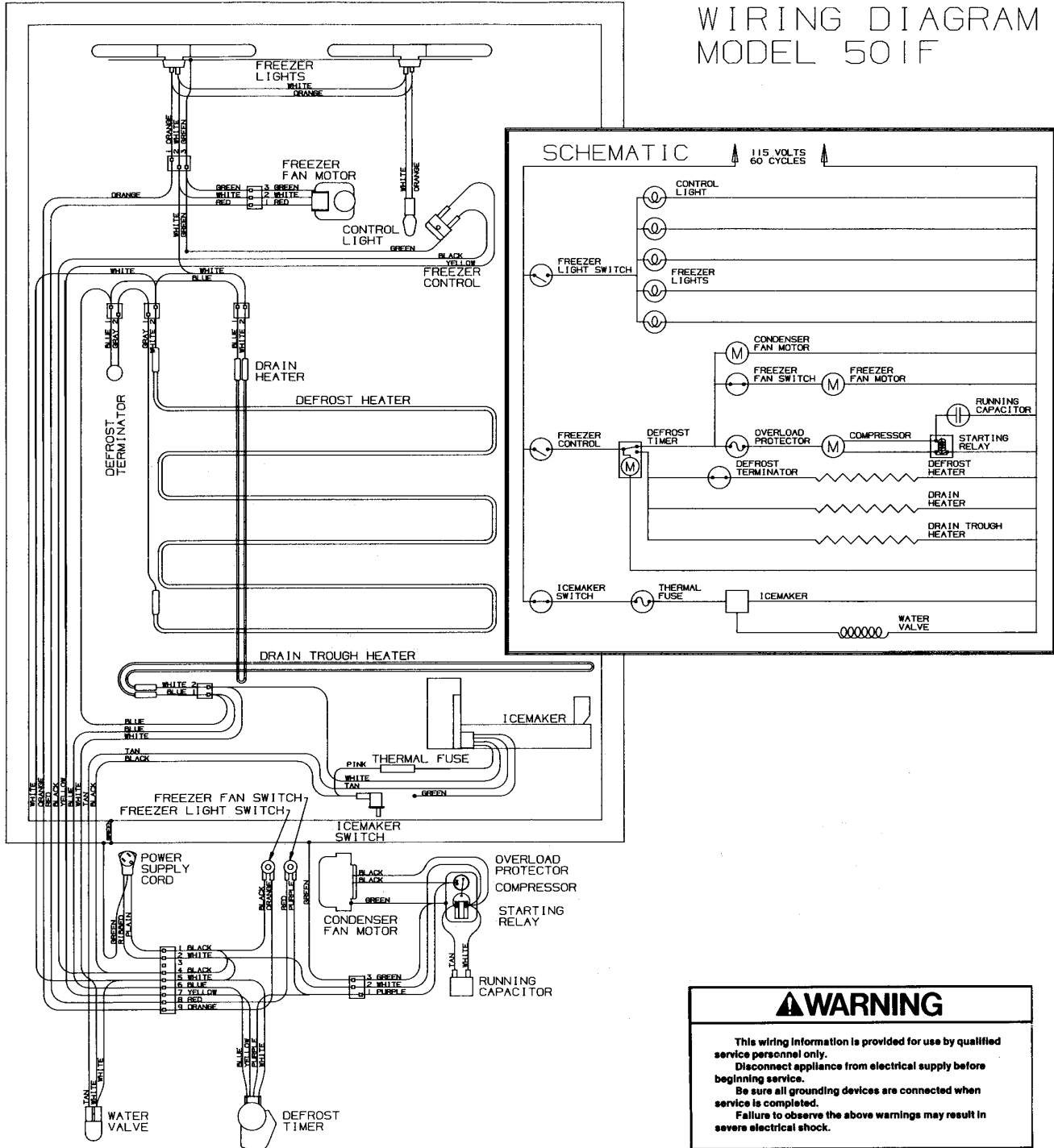


⚠ WARNING

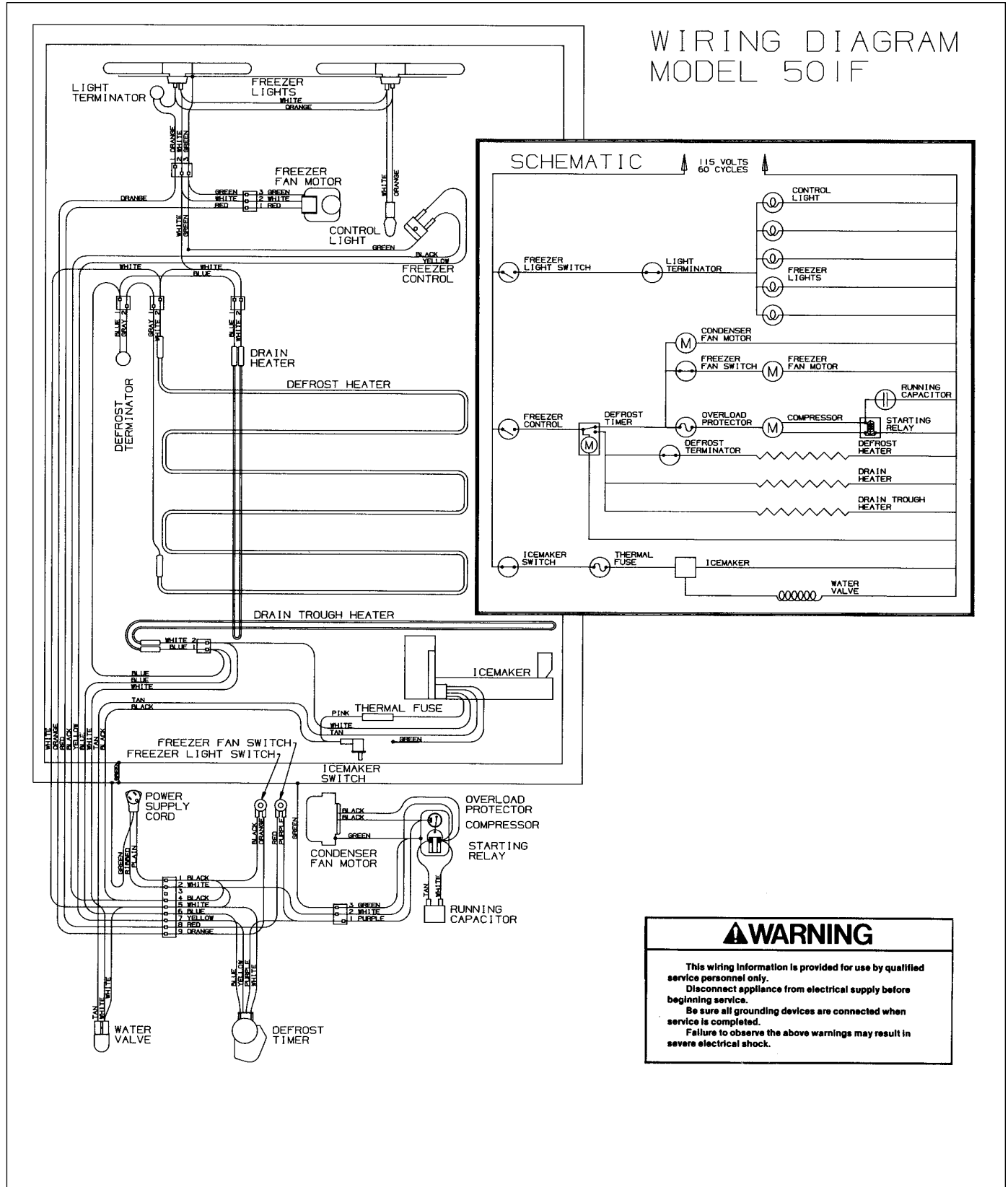
This wiring information is provided for use by qualified service personnel only. Disconnect appliance from electrical supply before beginning service. Be sure all grounding devices are connected when service is completed. Failure to observe the above warnings may result in severe electrical shock.

WIRING DIAGRAM & SCHEMATIC - 501F
 Phoenix Production From Serial #P677466 to #P726372

WIRING DIAGRAM
 MODEL 501F

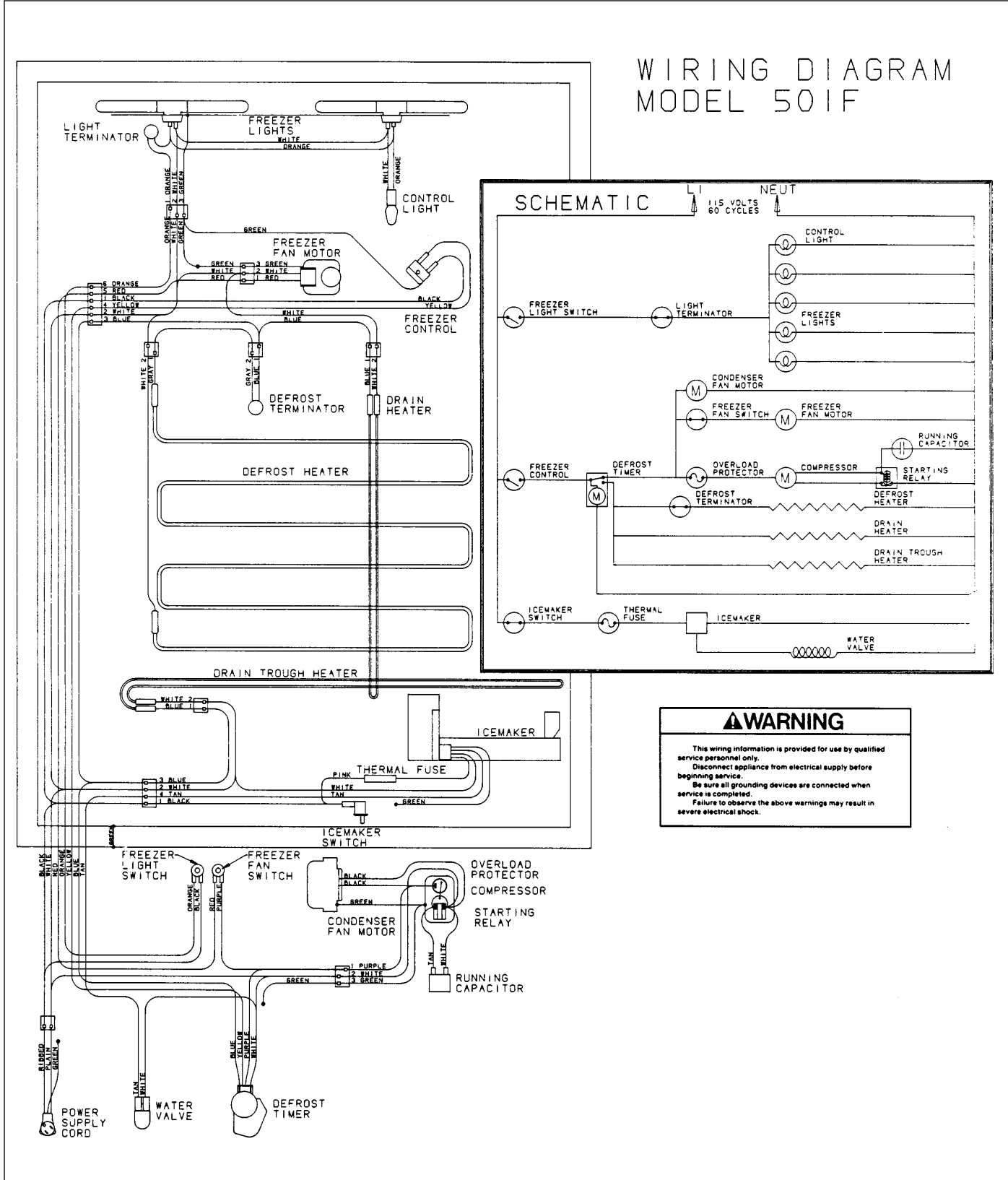


WIRING DIAGRAM & SCHEMATIC - 501F
 Phoenix Production From Serial #P726372 to M/P1004775,
 Except Between #M959920 to #M960169



WIRING DIAGRAM & SCHEMATIC - 501F
 Madison/Phoenix Production Starting with Serial #M/P1004775, and
 Between #M959920 to #M960169

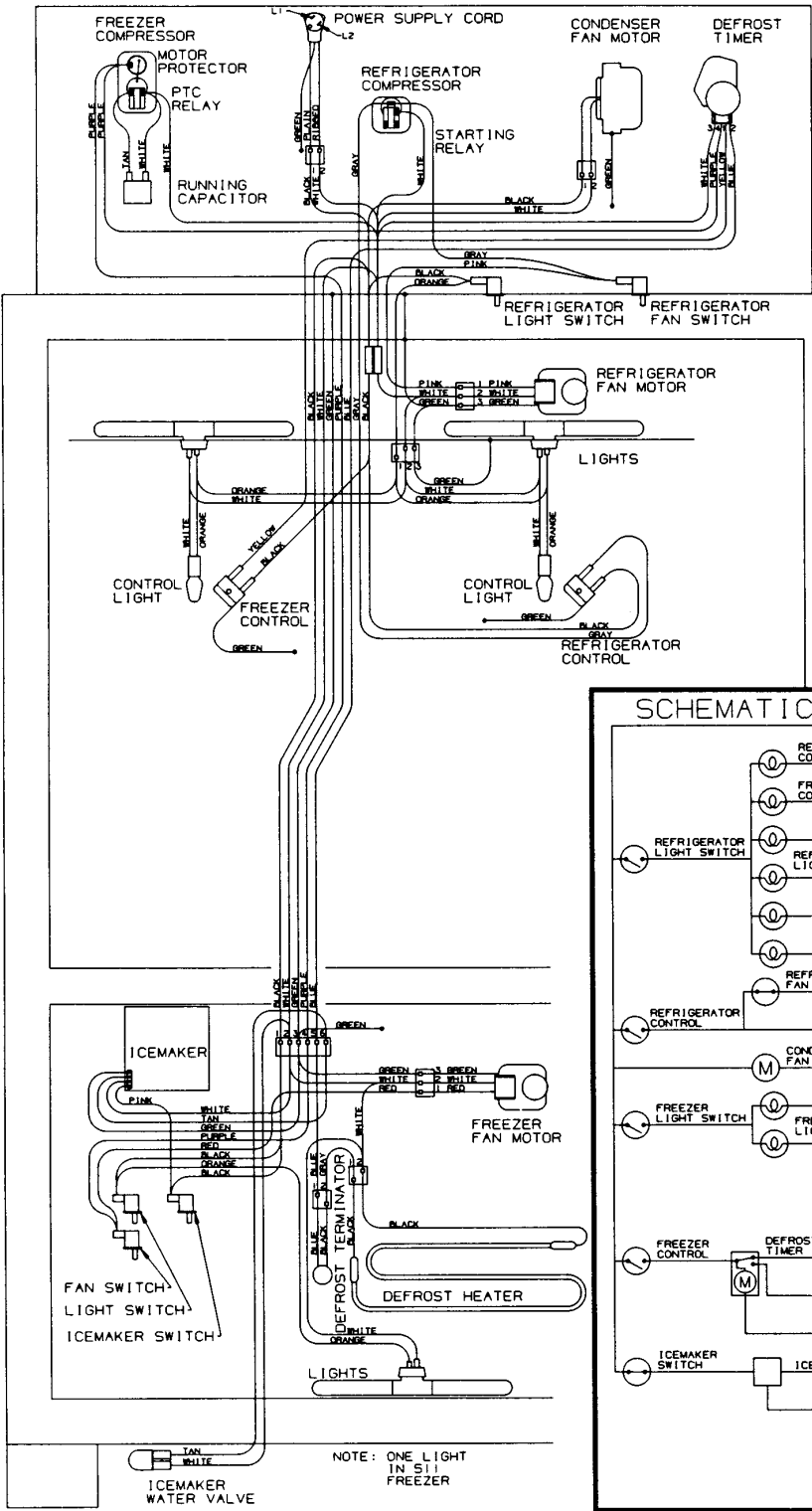
WIRING DIAGRAM
 MODEL 501F



WARNING

This wiring information is provided for use by qualified service personnel only. Disconnect appliance from electrical supply before beginning service. Be sure all grounding devices are connected when service is completed. Failure to observe the above warnings may result in severe electrical shock.

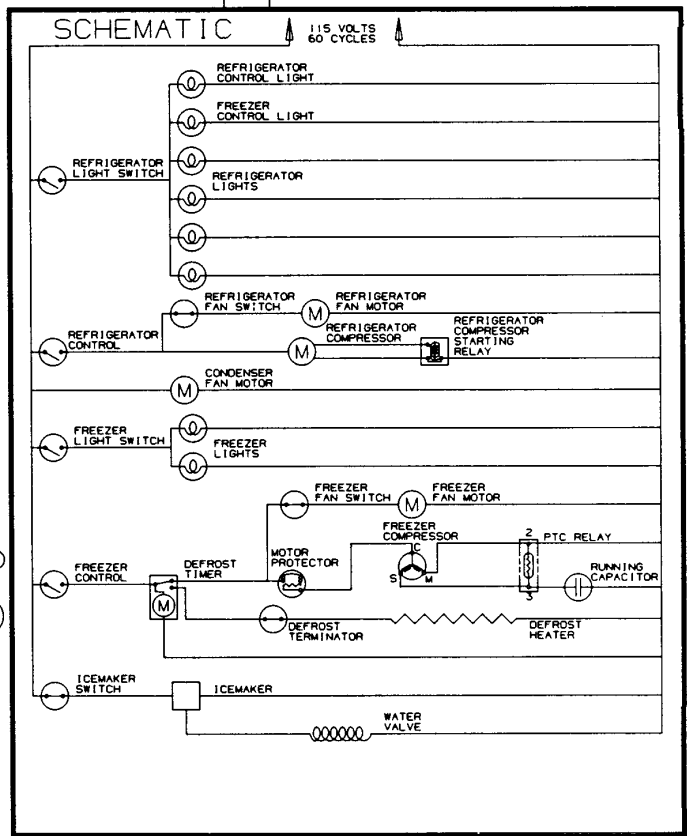
WIRING DIAGRAM & SCHEMATIC - 511
Madison Production Prior to Serial #M753523



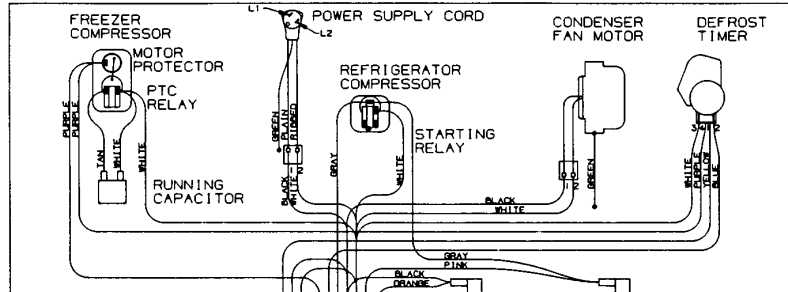
WIRING DIAGRAM MODEL 511

⚠ WARNING

This wiring information is provided for use by qualified service personnel only. Disconnect appliance from electrical supply before beginning service. Be sure all grounding devices are connected when service is completed. Failure to observe the above warnings may result in severe electrical shock.



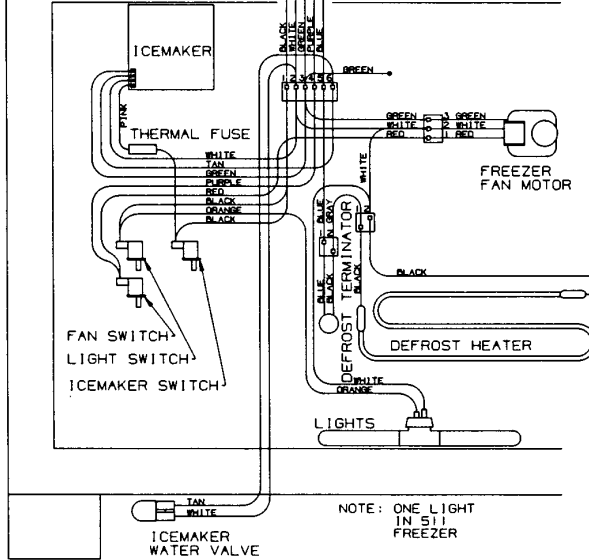
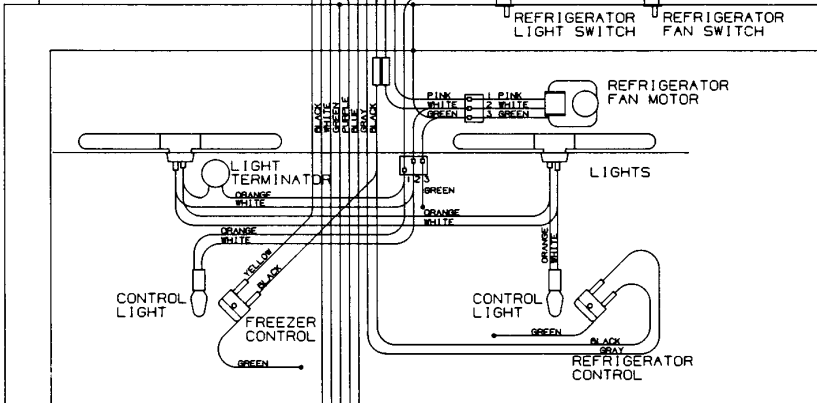
WIRING DIAGRAM & SCHEMATIC - 511
 Madison Production From Serial #M753523 to #M1004775, Except
 Between #M964470 to #964769



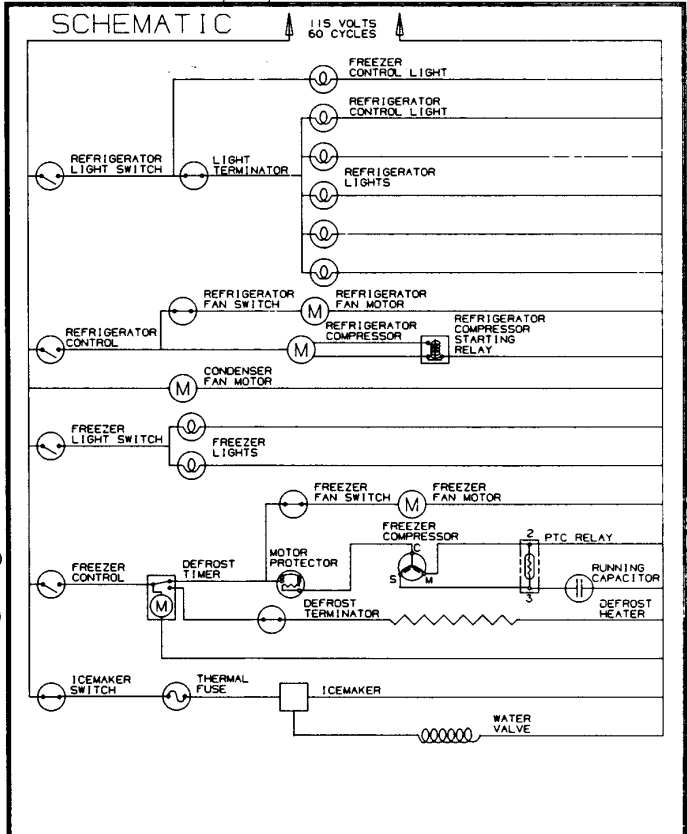
WIRING DIAGRAM
 MODEL 511

WARNING

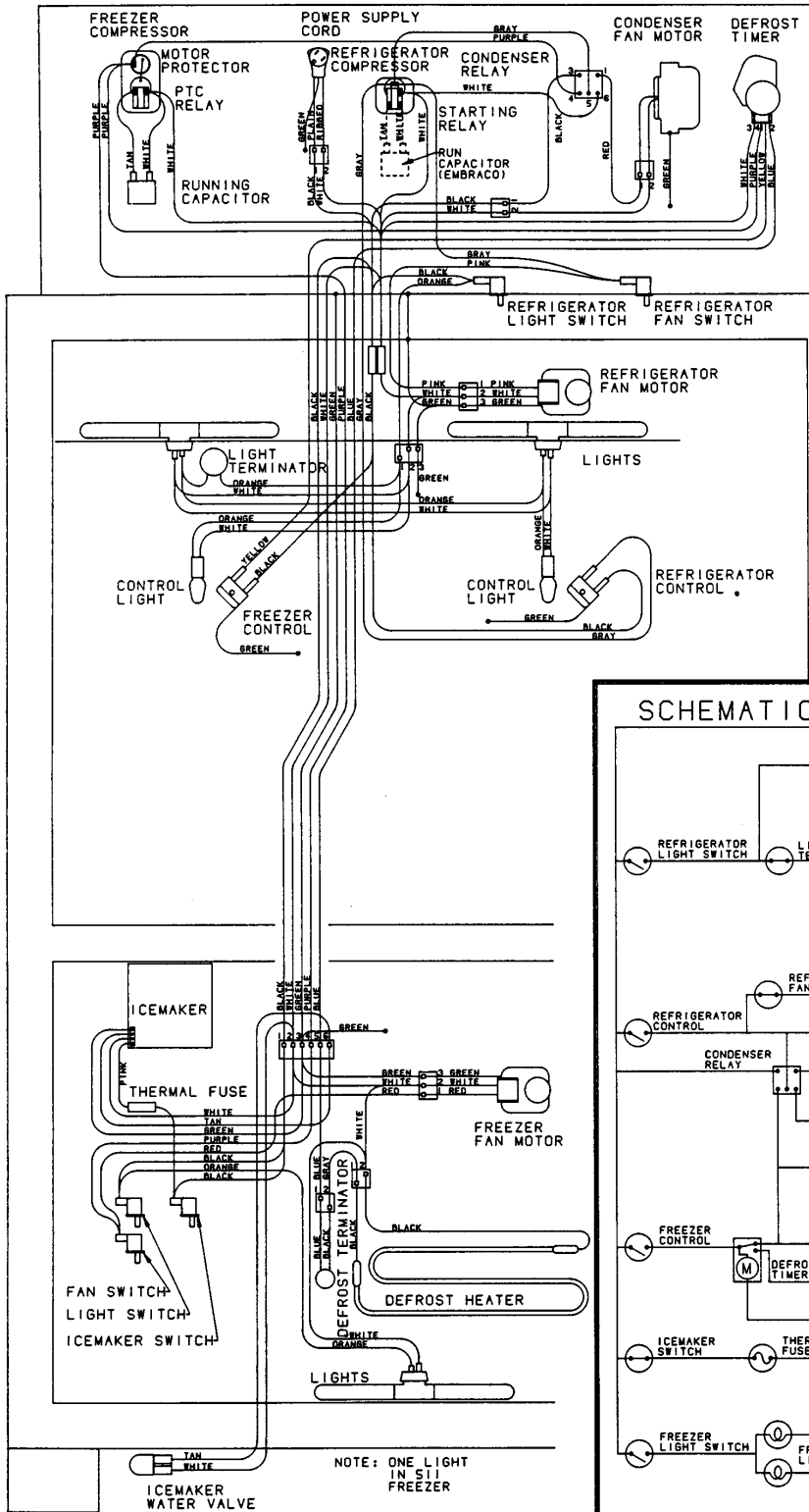
This wiring information is provided for use by qualified service personnel only. Disconnect appliance from electrical supply before beginning service. Be sure all grounding devices are connected when service is completed. Failure to observe the above warnings may result in severe electrical shock.



NOTE: ONE LIGHT IN 511 FREEZER



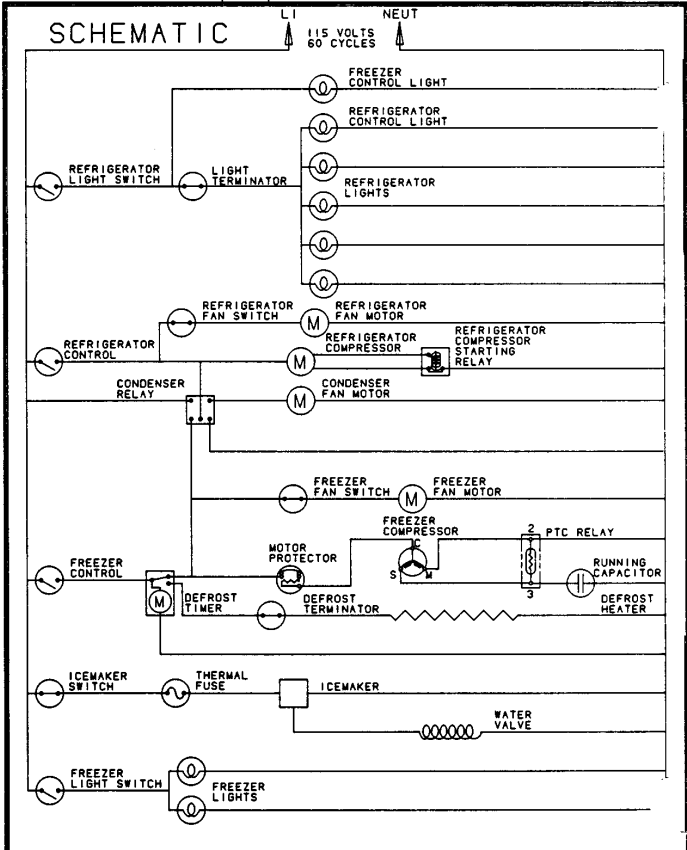
WIRING DIAGRAM & SCHEMATIC - 511
Madison Production Starting with Serial #M1004775 and between #M964470 to #964769



WIRING DIAGRAM MODEL 511

⚠ WARNING

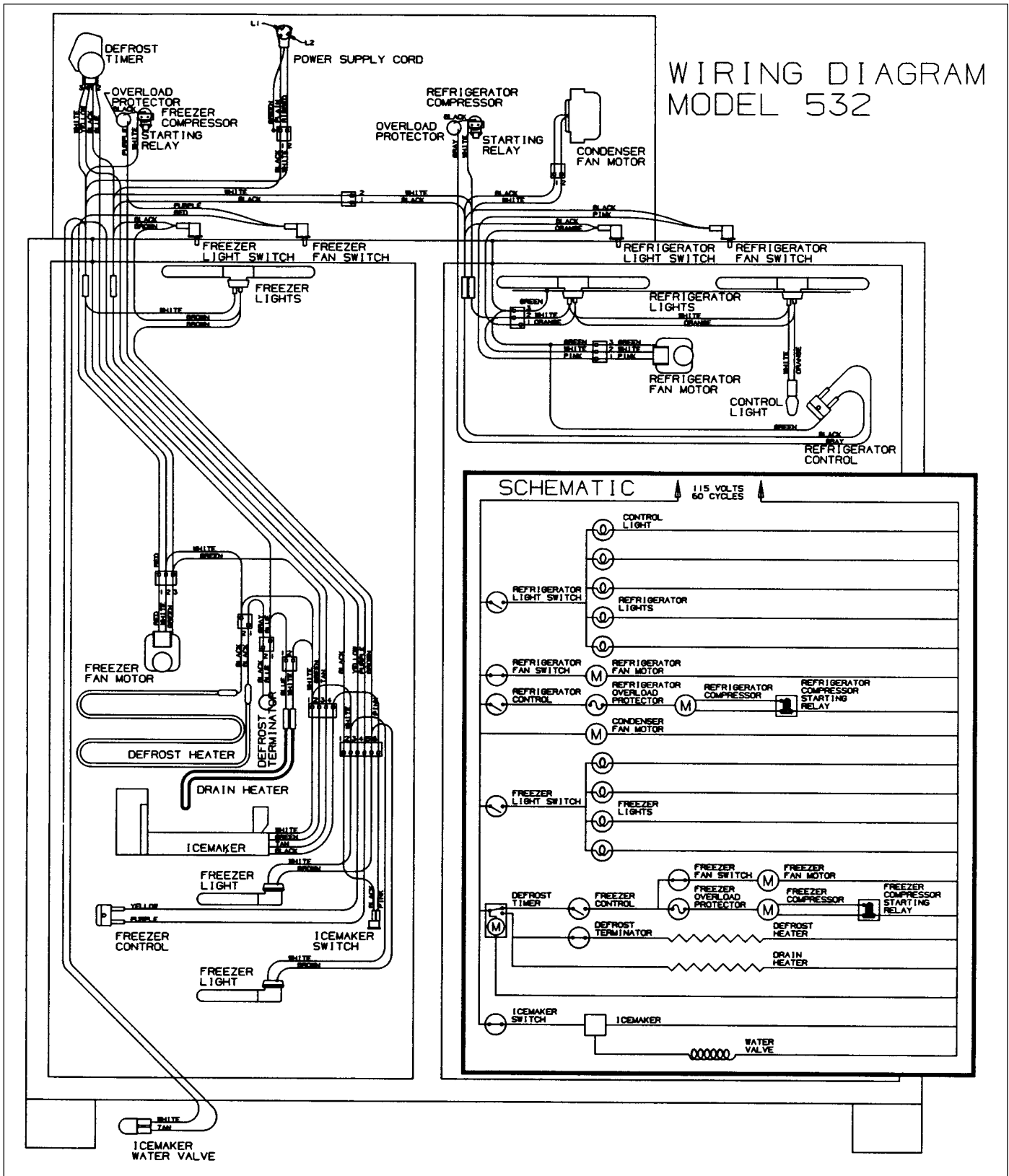
This wiring information is provided for use by qualified service personnel only. Disconnect appliance from electrical supply before beginning service. Be sure all grounding devices are connected when service is completed. Failure to observe the above warnings may result in severe electrical shock.



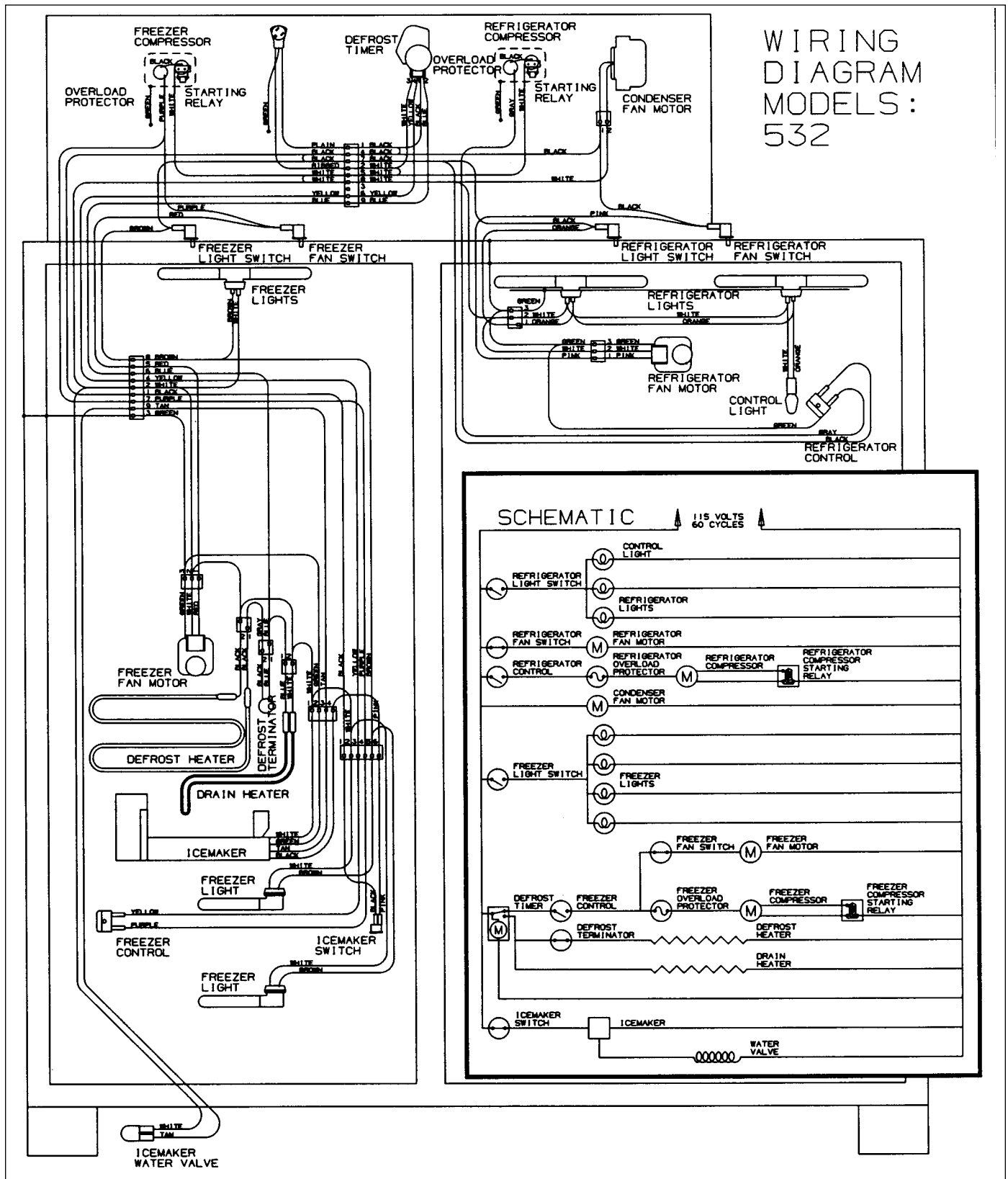
NOTE: ONE LIGHT IN 511 FREEZER

WIRING DIAGRAM & SCHEMATIC - 532
 Madison Production Prior to Serial #M616691
 (NOTE: See Page 6-22 for start of Phoenix Production Wiring Diagrams)

WIRING DIAGRAM
 MODEL 532

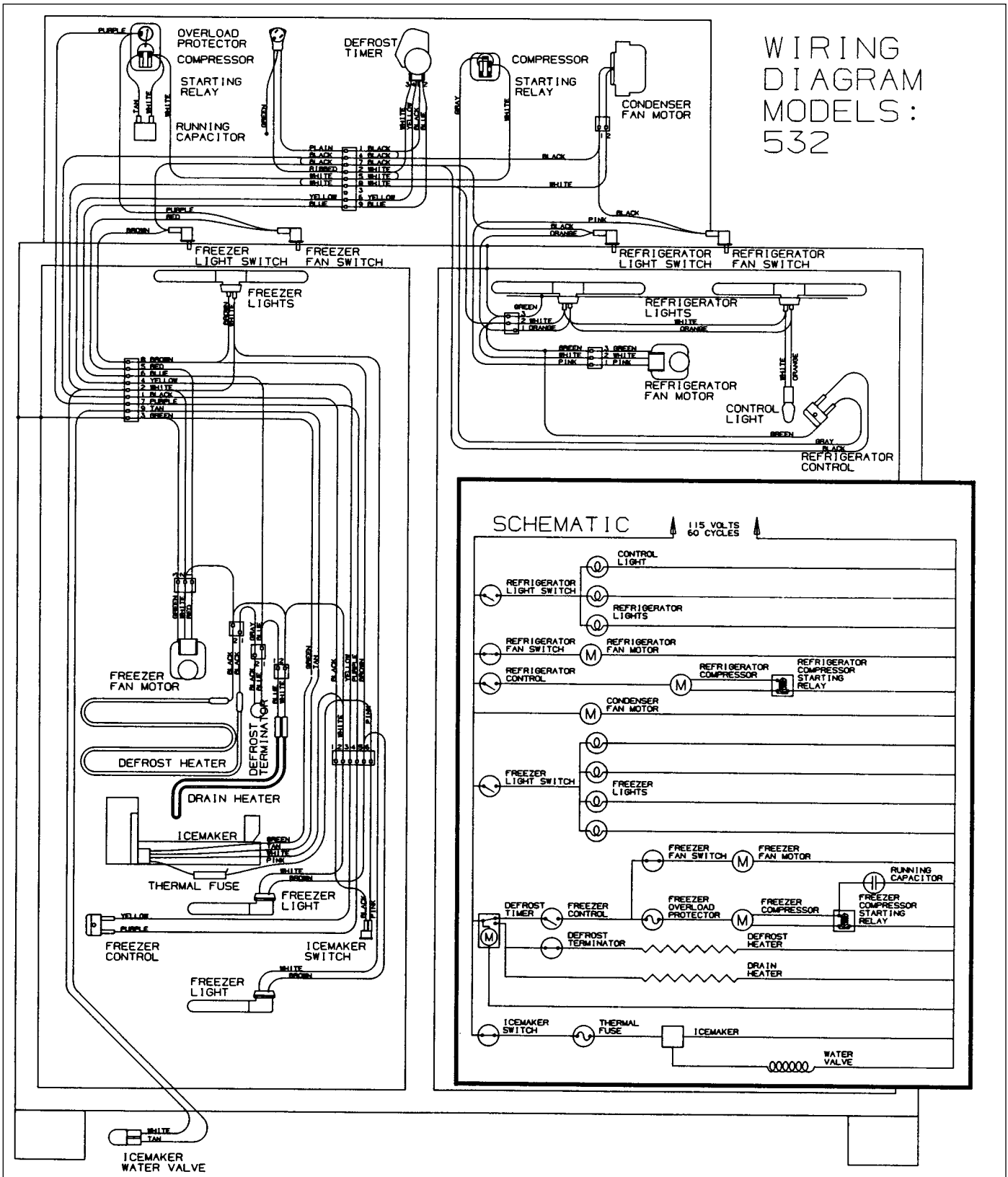


WIRING DIAGRAM & SCHEMATIC - 532
 Madison Production From Serial #M616691 to #M681566



WIRING DIAGRAM & SCHEMATIC - 532
 Madison Production From Serial #M681566 to #M722572

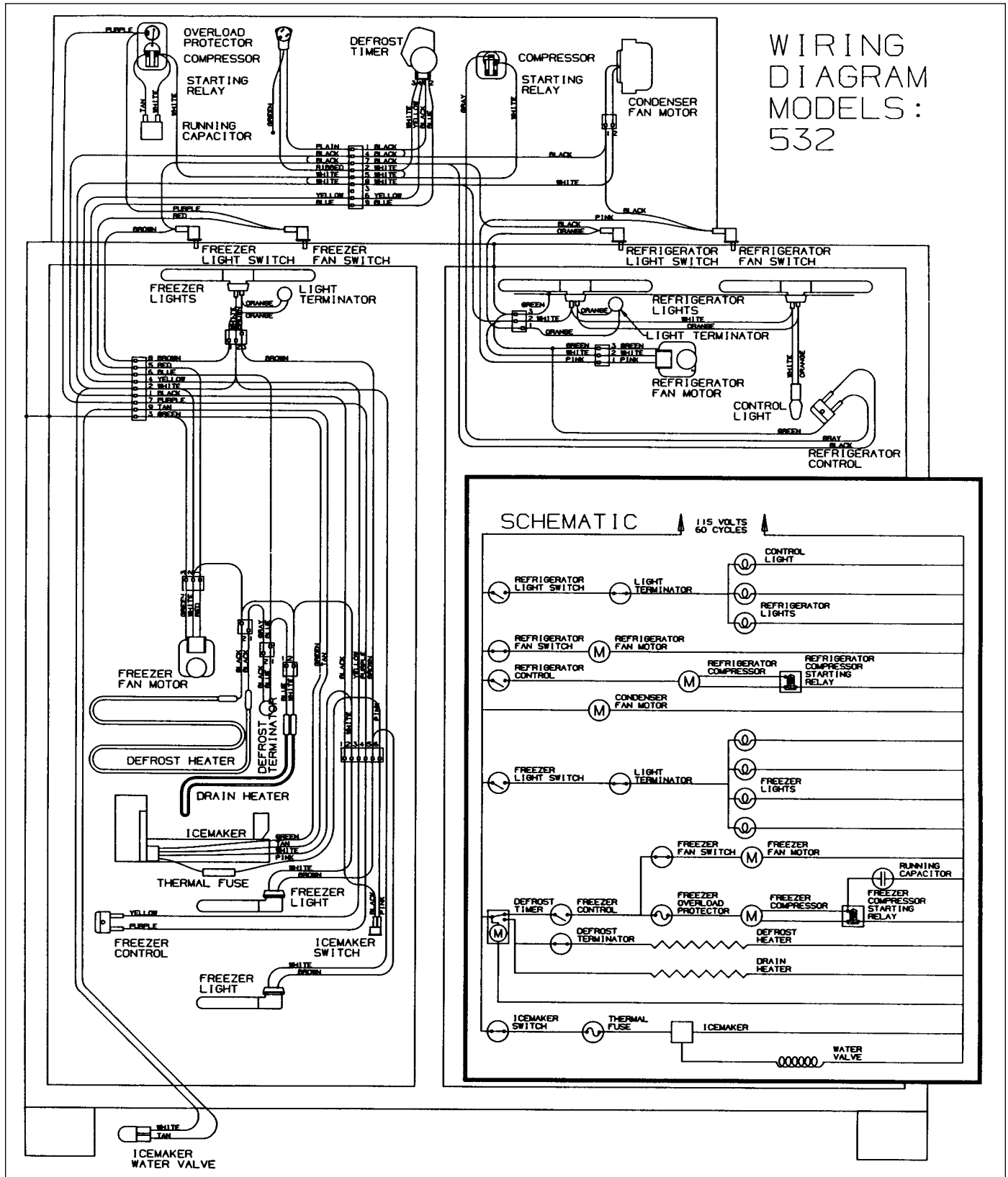
WIRING
 DIAGRAM
 MODELS:
 532



WIRING DIAGRAM & SCHEMATIC - 532

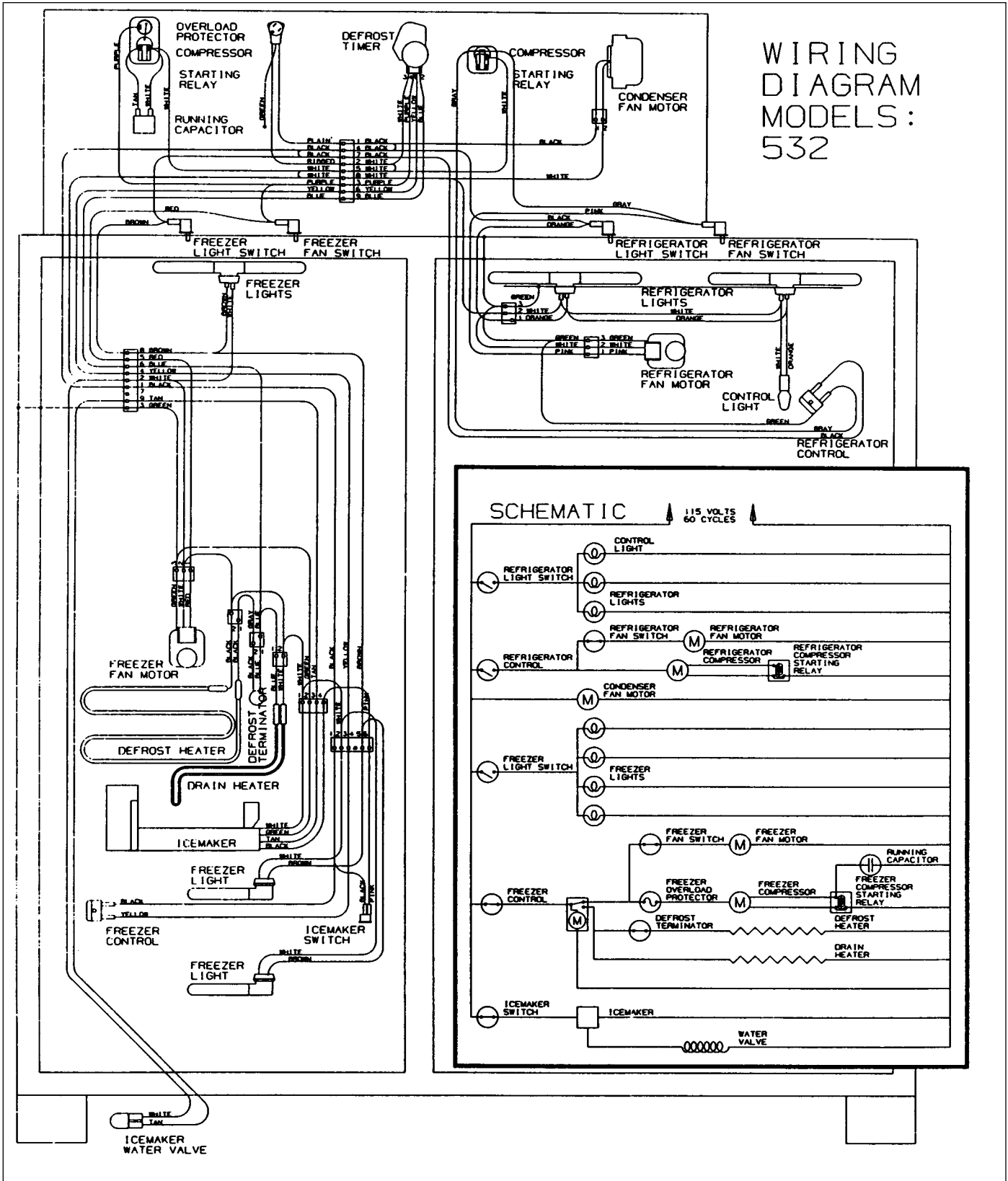
Madison Production From Serial #M722572 to #M815564

(NOTE: See Page 6-24 for continuation of the next applicable Madison Production serial numbers)

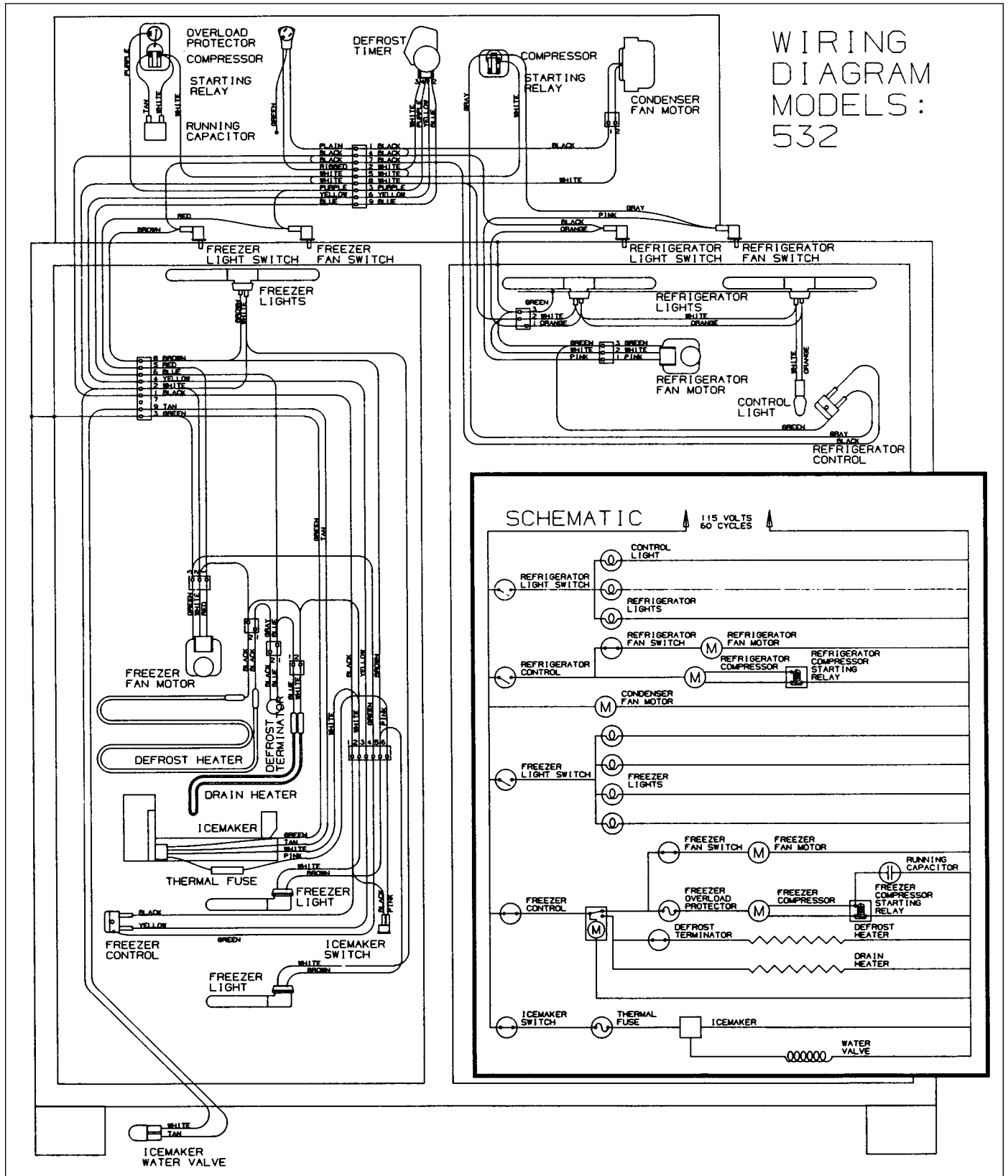


WIRING DIAGRAM & SCHEMATIC - 532
Phoenix Production Prior to Serial #P679166

WIRING
DIAGRAM
MODELS:
532



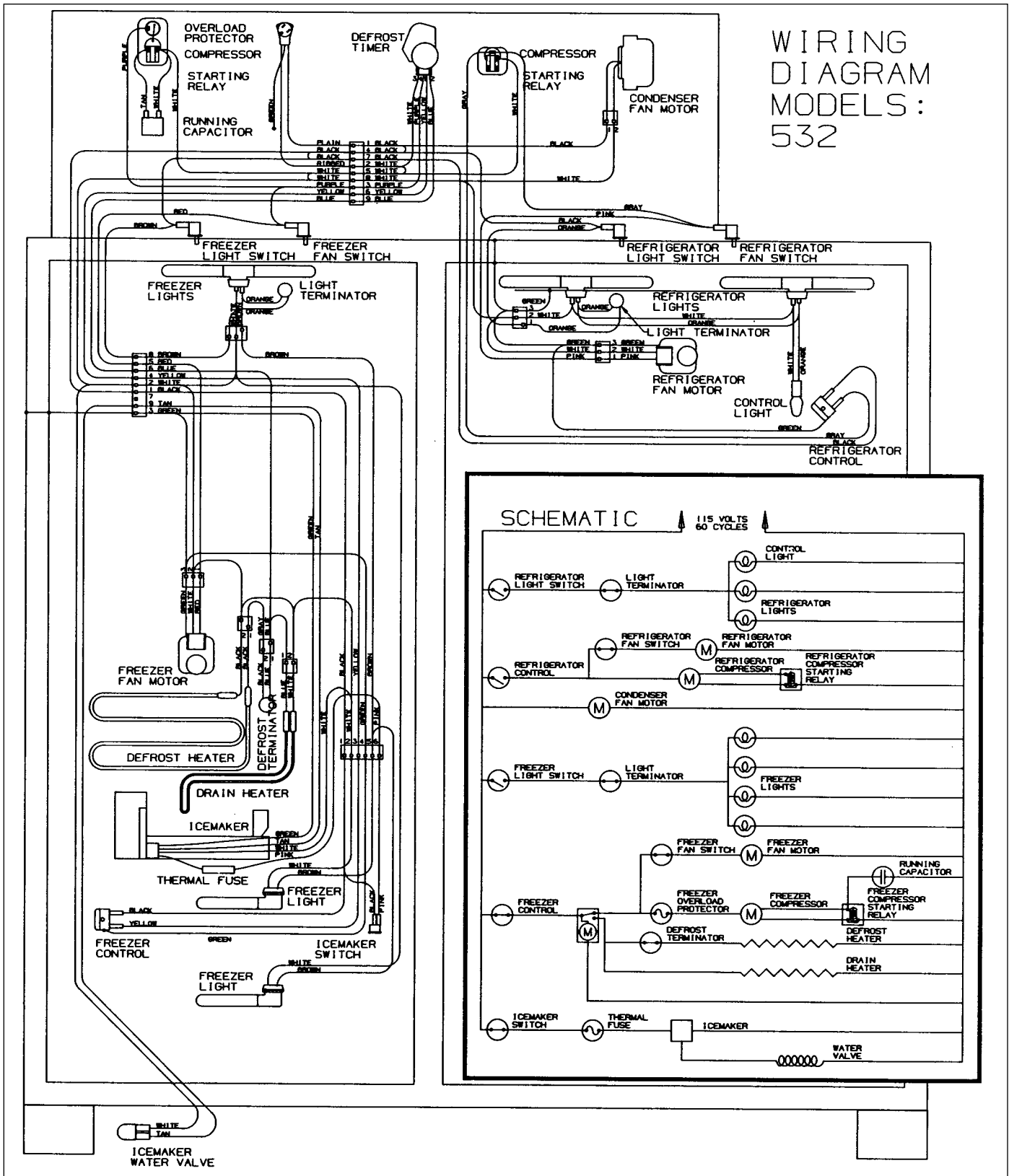
WIRING DIAGRAM & SCHEMATIC - 532
Phoenix Production From Serial #P679166 to #P725022



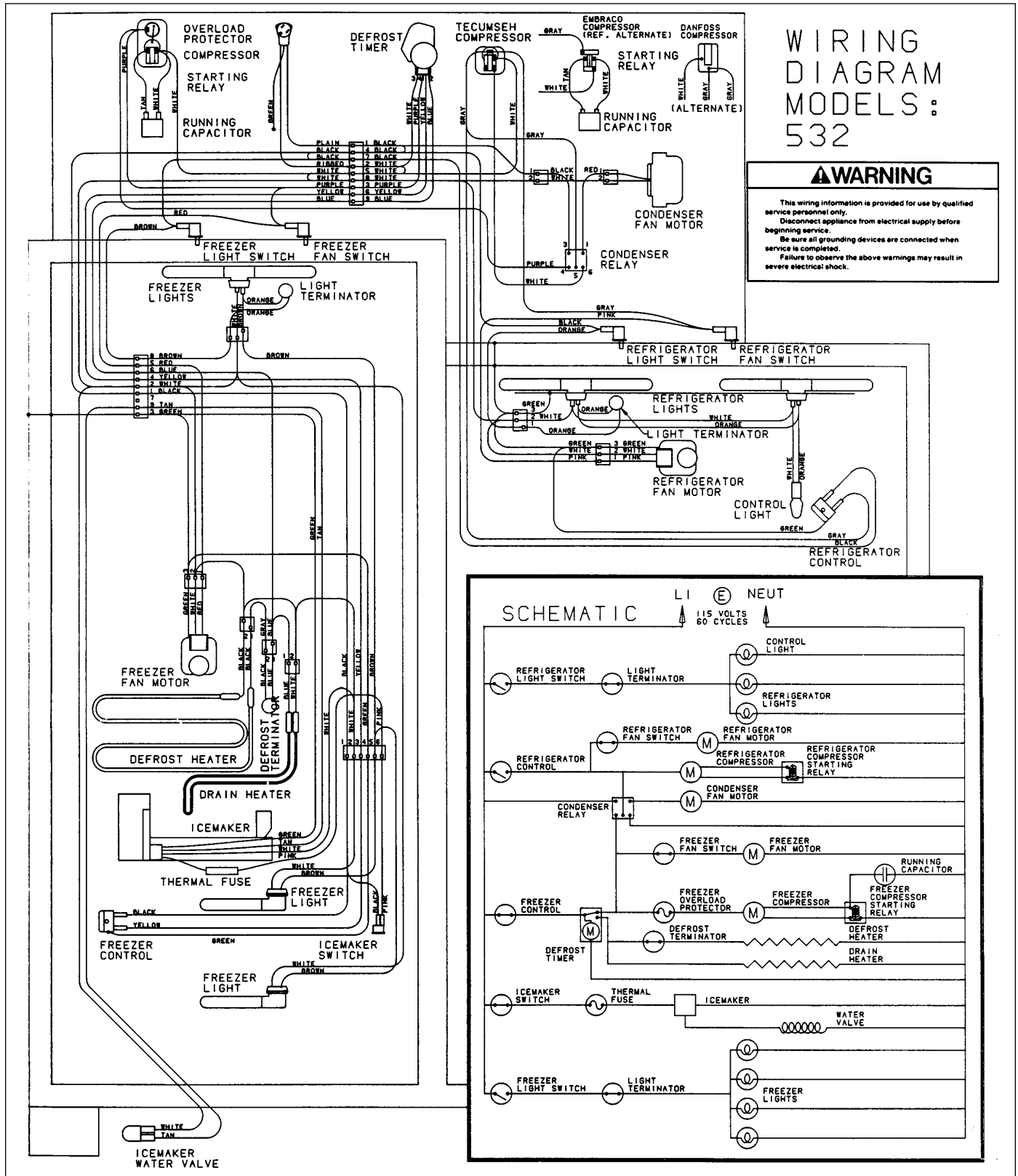
WIRING DIAGRAM & SCHEMATIC - 532

Madison/Phoenix Production From Serial #M815564/P725022 to #M/P1004775, Except Between #M964770 to #M965069, and Except Between #M990700 to #M990999

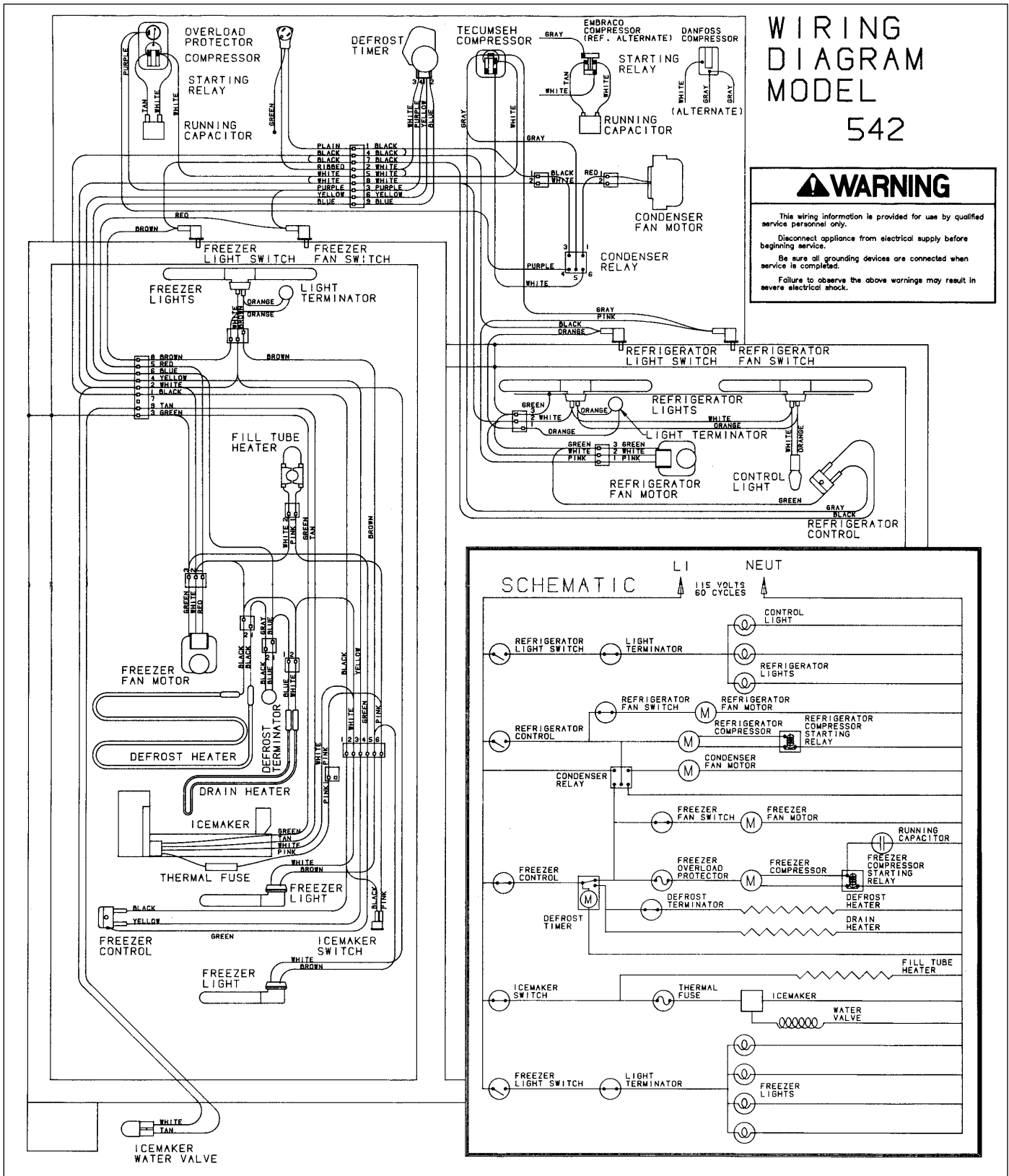
WIRING
DIAGRAM
MODELS:
532



WIRING DIAGRAM & SCHEMATIC - 532
Madison/Phoenix Production Starting with Serial #M/P1004775 and
Between #M964770 to #M965069, and Between #M990700 to #M990999



WIRING DIAGRAM & SCHEMATIC - 542

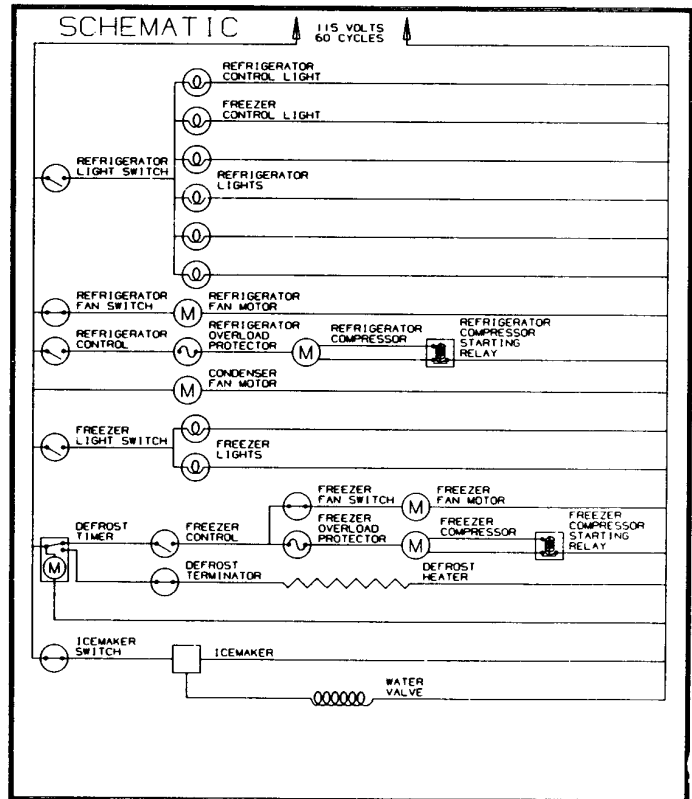
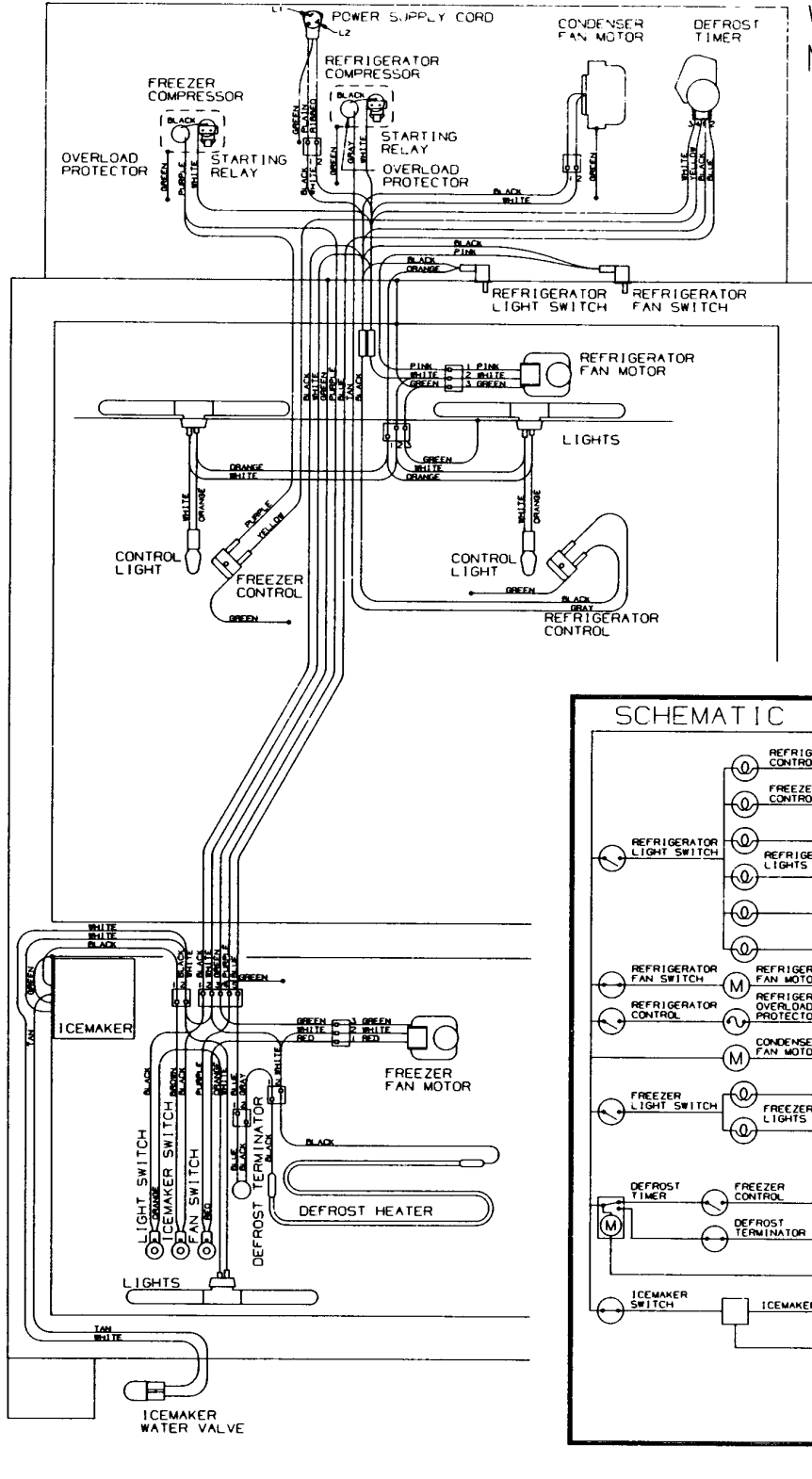


WIRING DIAGRAM & SCHEMATIC - 550
Madison Production Prior to Serial #M68116
 (NOTE: See Page 6-30 for start of Phoenix Production Wiring Diagrams)

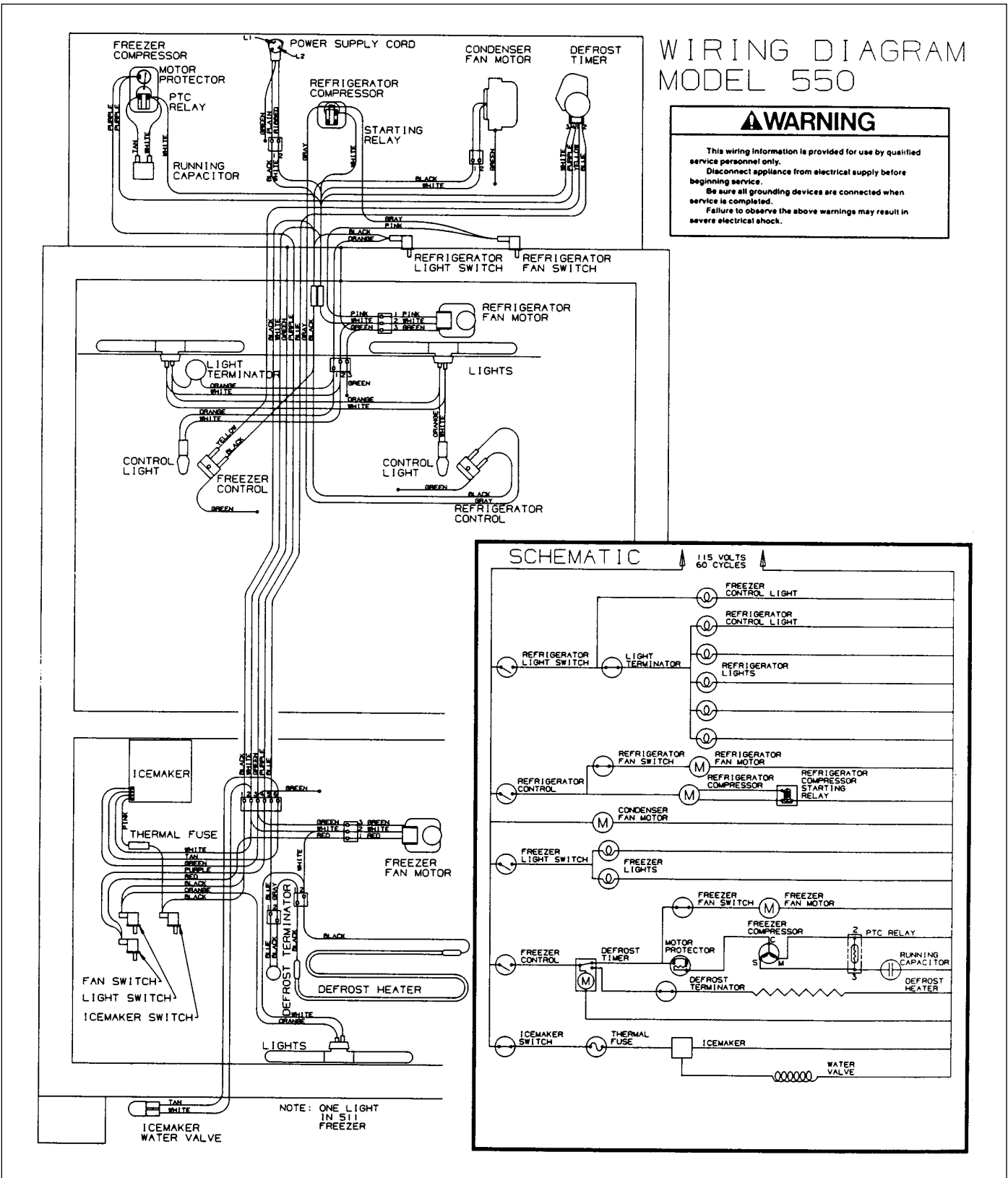
**WIRING DIAGRAM
 MODEL 550**

⚠ WARNING

This wiring information is provided for use by qualified service personnel only.
 Disconnect appliance from electrical supply before beginning service.
 Be sure all grounding devices are connected when service is completed.
 Failure to observe the above warnings may result in severe electrical shock.

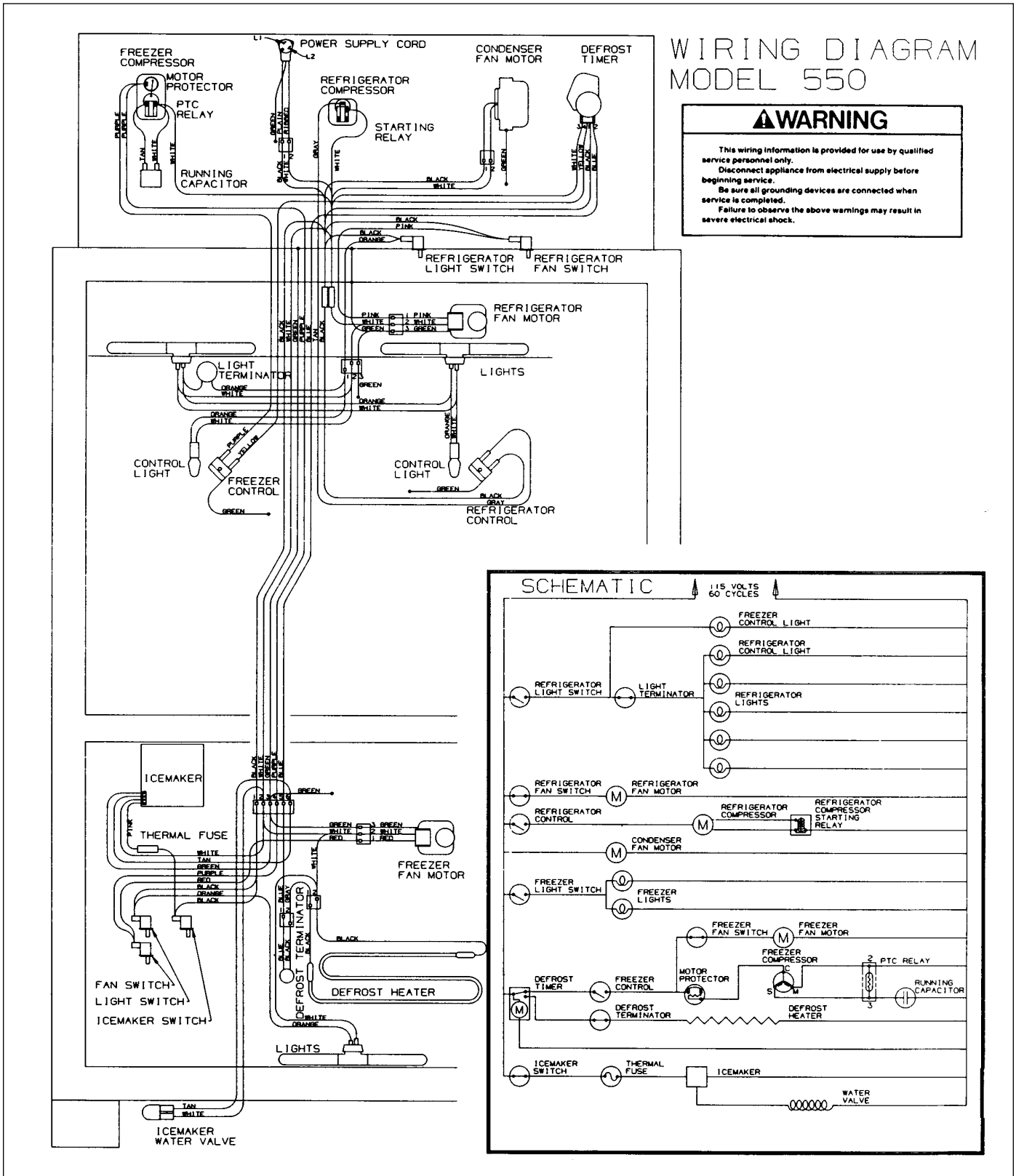


WIRING DIAGRAM & SCHEMATIC - 550
Madison Production From Serial #M681166 to #M722972



WIRING DIAGRAM & SCHEMATIC - 550
Madison Production From #M722972 to #M802554

(NOTE: See Page 6-32 for continuation of the next applicable Madison Production serial numbers)

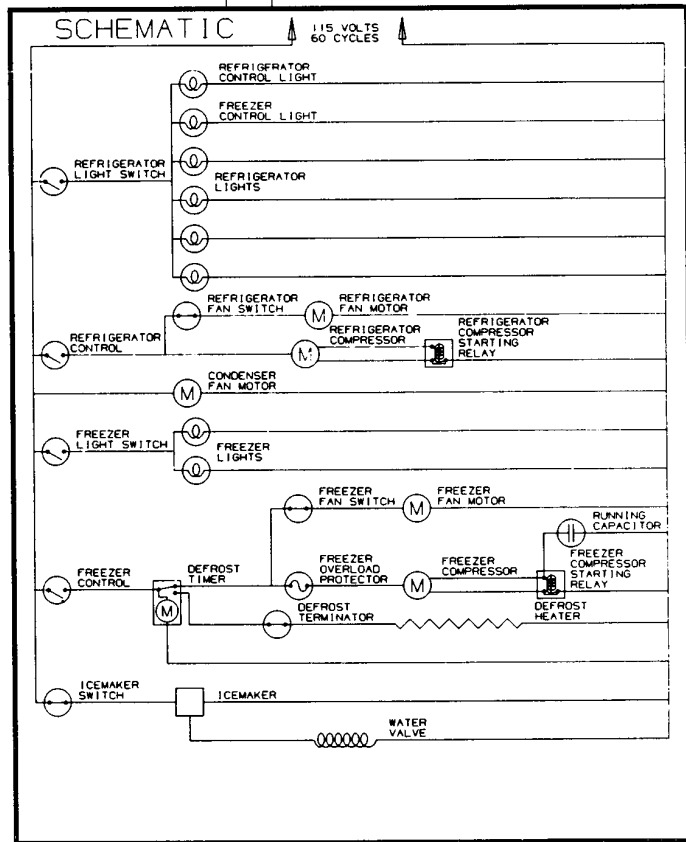
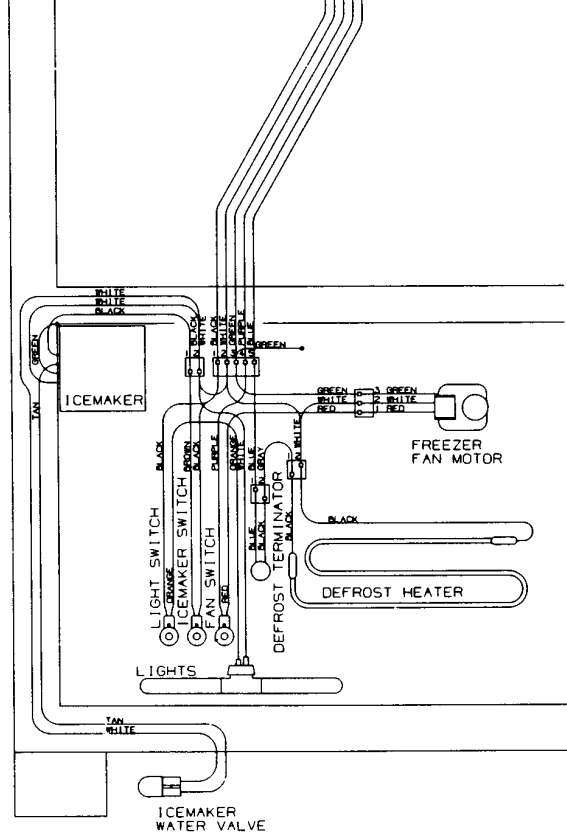
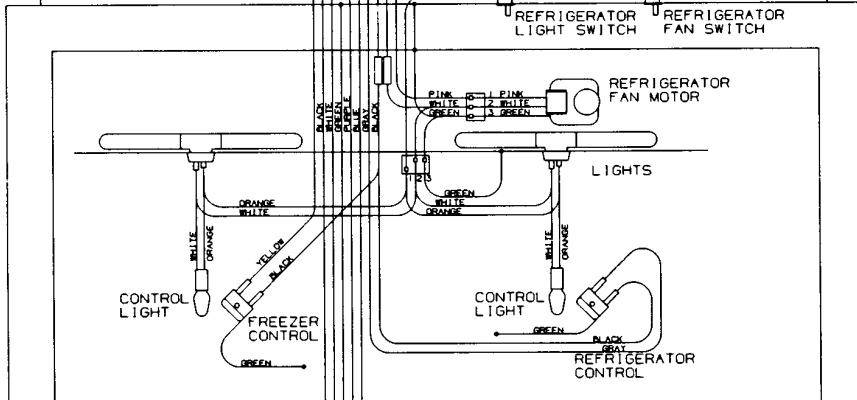
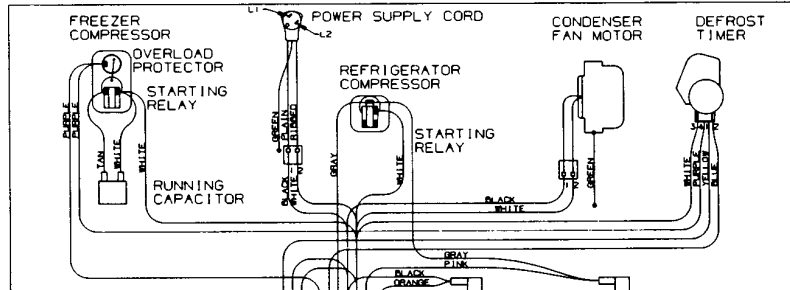


WIRING DIAGRAM & SCHEMATIC - 550
Phoenix Production Prior to #P700765

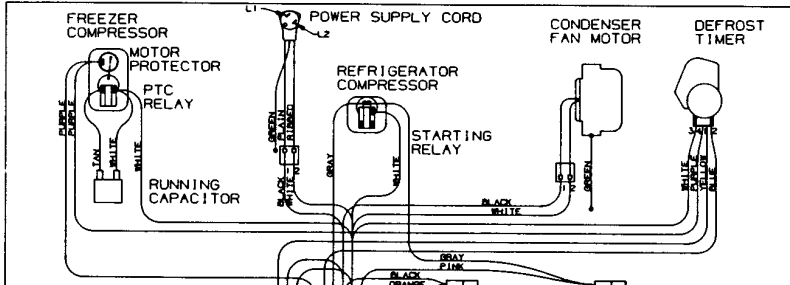
WIRING DIAGRAM
MODEL 550

WARNING

This wiring information is provided for use by qualified service personnel only.
Disconnect appliance from electrical supply before beginning service.
Be sure all grounding devices are connected when service is completed.
Failure to observe the above warnings may result in severe electrical shock.



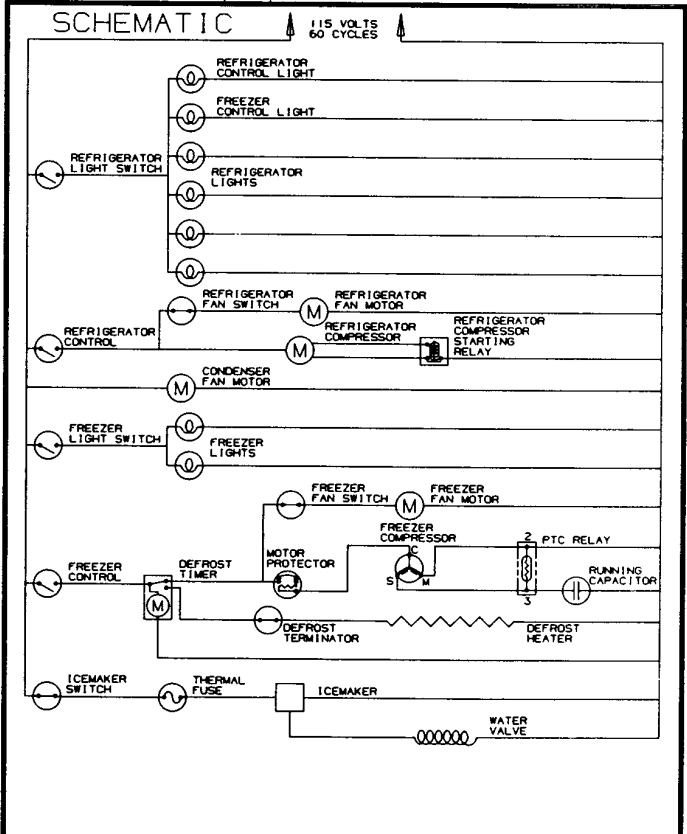
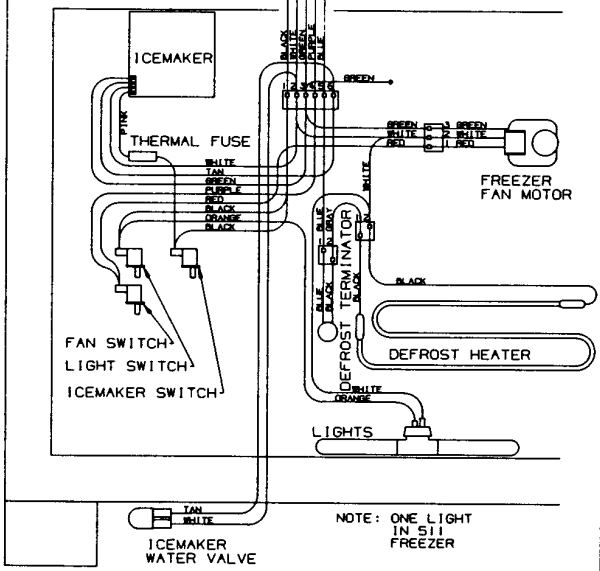
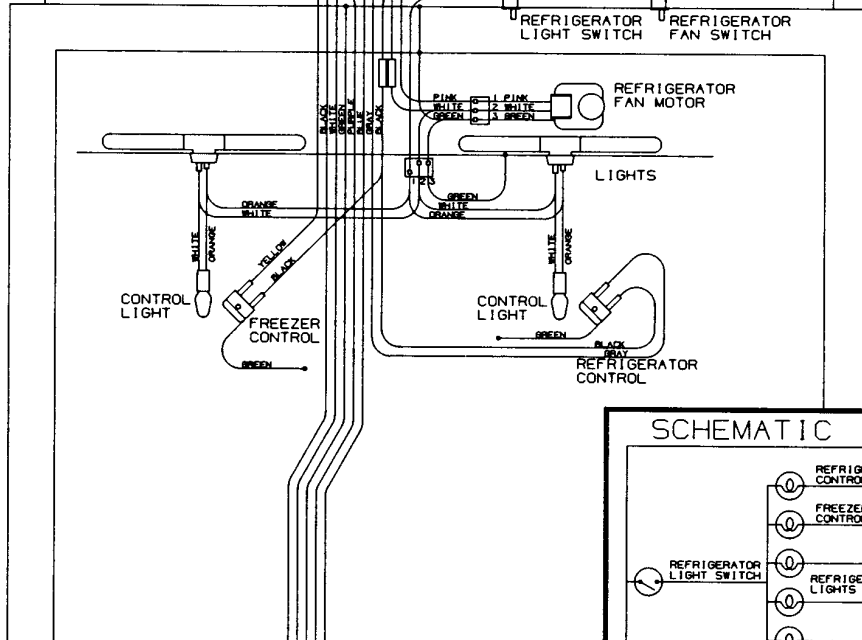
WIRING DIAGRAM & SCHEMATIC - 550
 Phoenix Production From Serial #P700765 to #P721572



**WIRING DIAGRAM
 MODEL 550**

WARNING

This wiring information is provided for use by qualified service personnel only. Disconnect appliance from electrical supply before beginning service. Be sure all grounding devices are connected when service is completed. Failure to observe the above warnings may result in severe electrical shock.

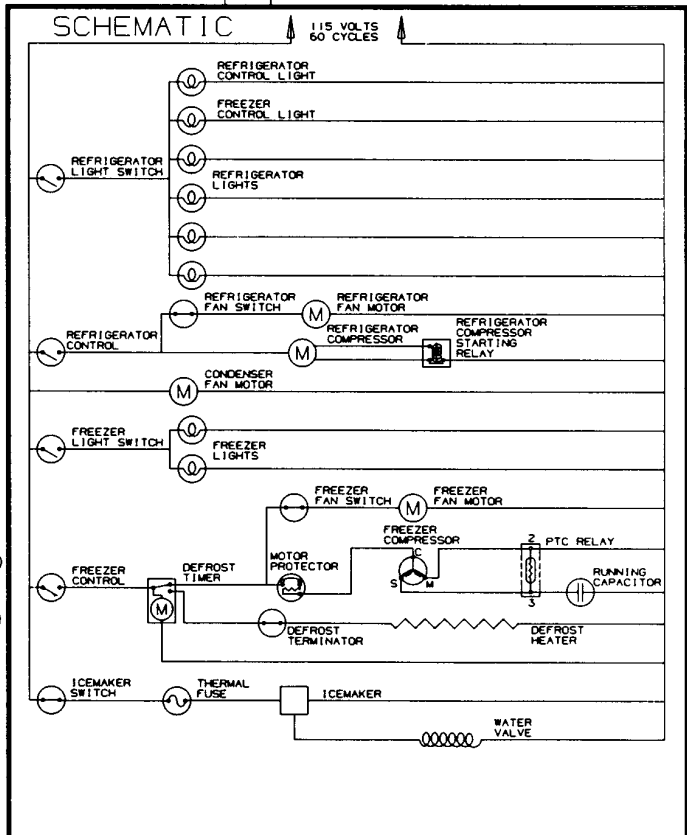
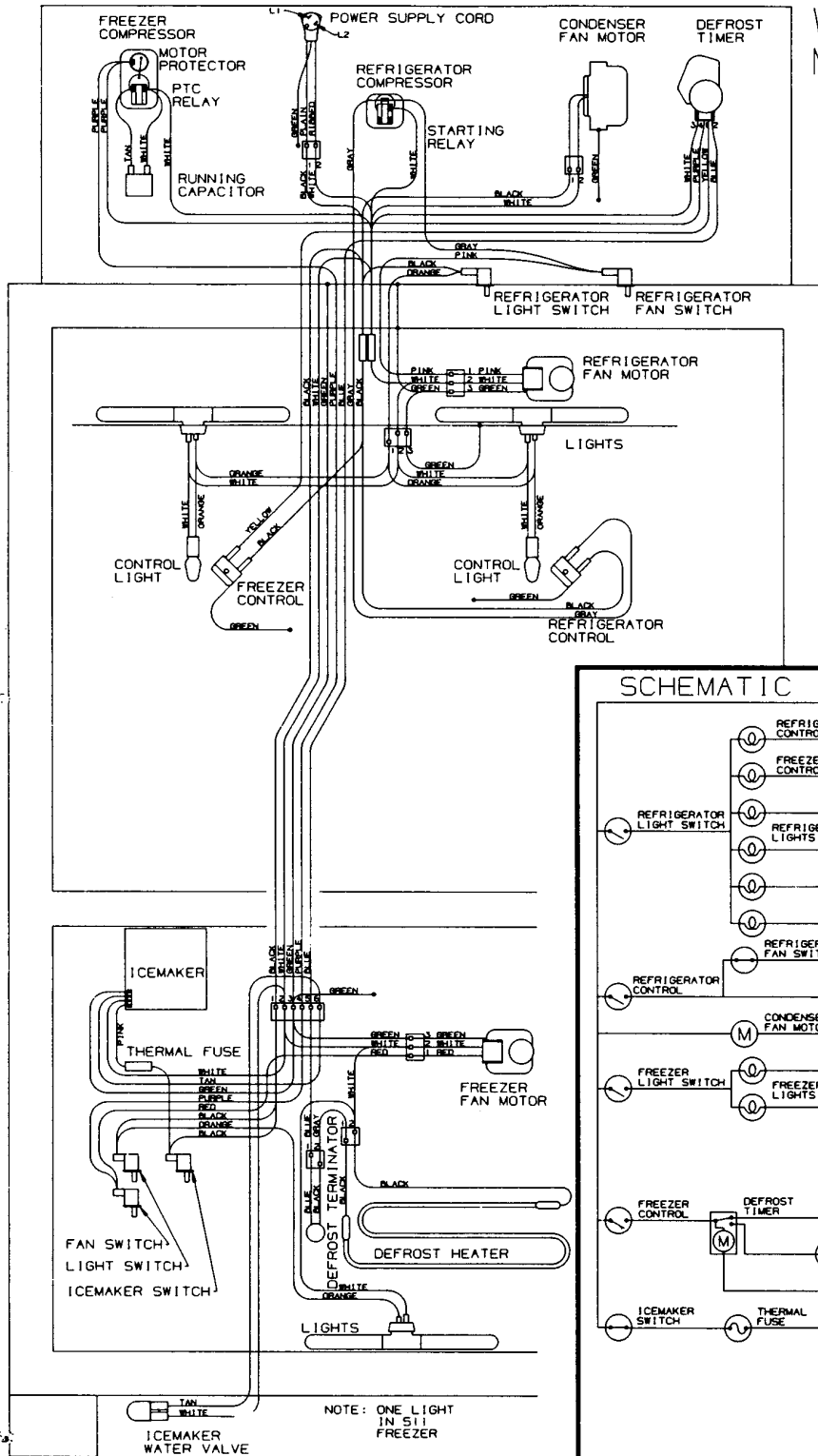


WIRING DIAGRAM & SCHEMATIC - 550
 Madison/Phoenix Production From Serial #M820554/P721572 to #M/P1004775, Except
 Between #M964070 to #M964469, and Except Between #M984750 to #M985149

WIRING DIAGRAM
 MODEL 550

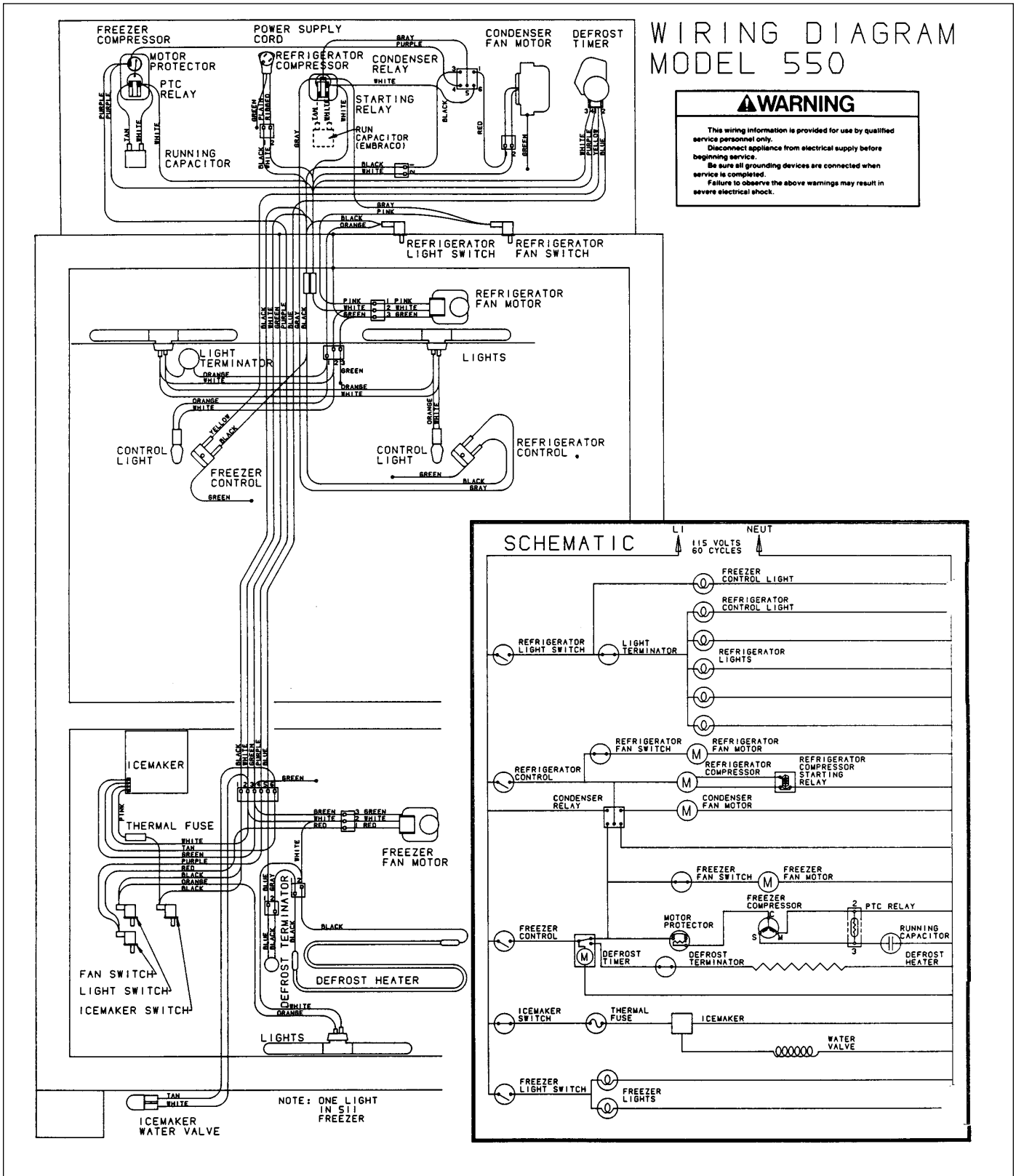
WARNING

This wiring information is provided for use by qualified service personnel only. Disconnect appliance from electrical supply before beginning service. Be sure all grounding devices are connected when service is completed. Failure to observe the above warnings may result in severe electrical shock.

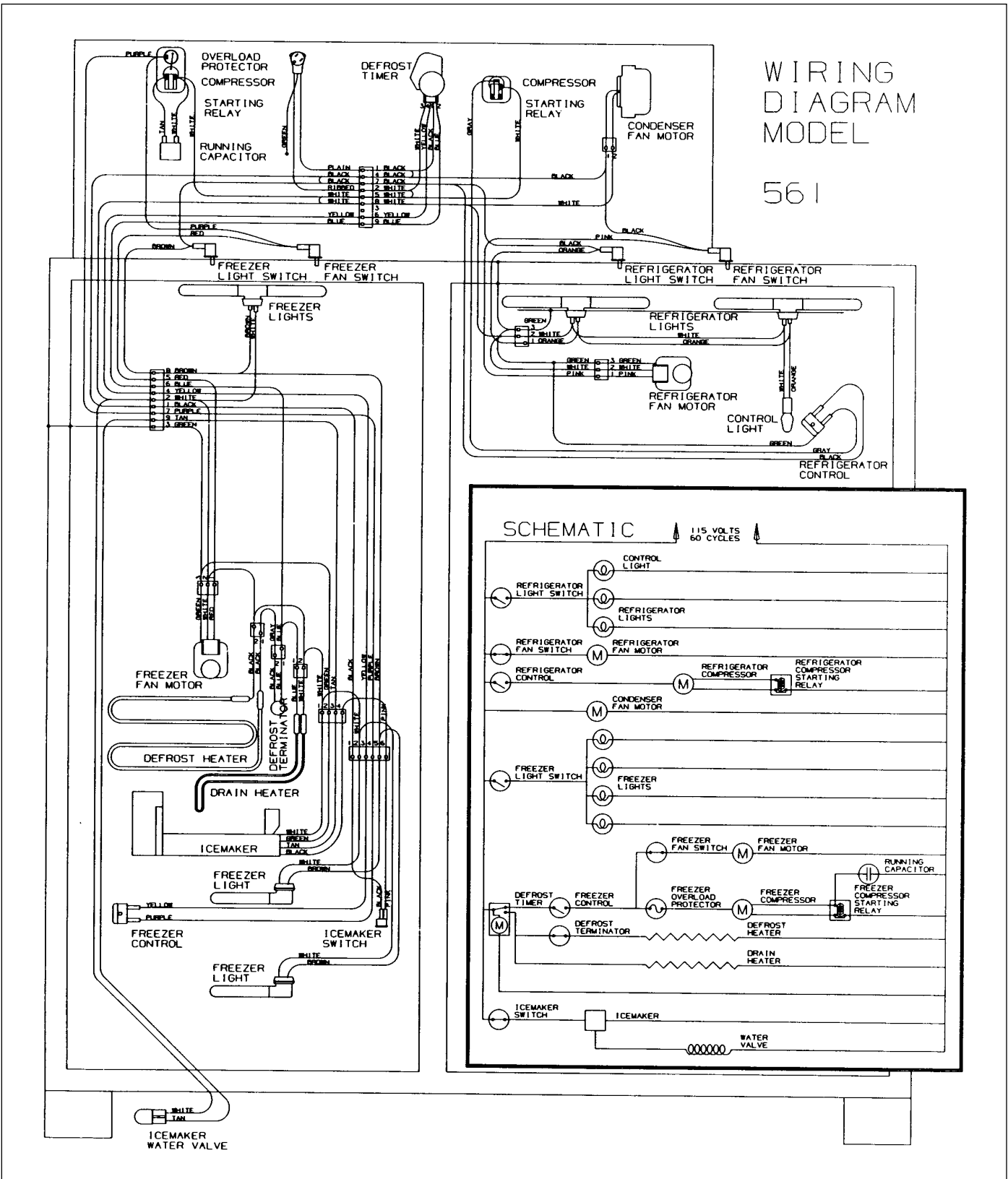


NOTE: ONE LIGHT IN S11 FREEZER

WIRING DIAGRAM & SCHEMATIC - 550
Madison/Phoenix Production Starting with Serial #M/P1004775 and
Between #M964070 to #M964469, and Between #M984750 to #M985149



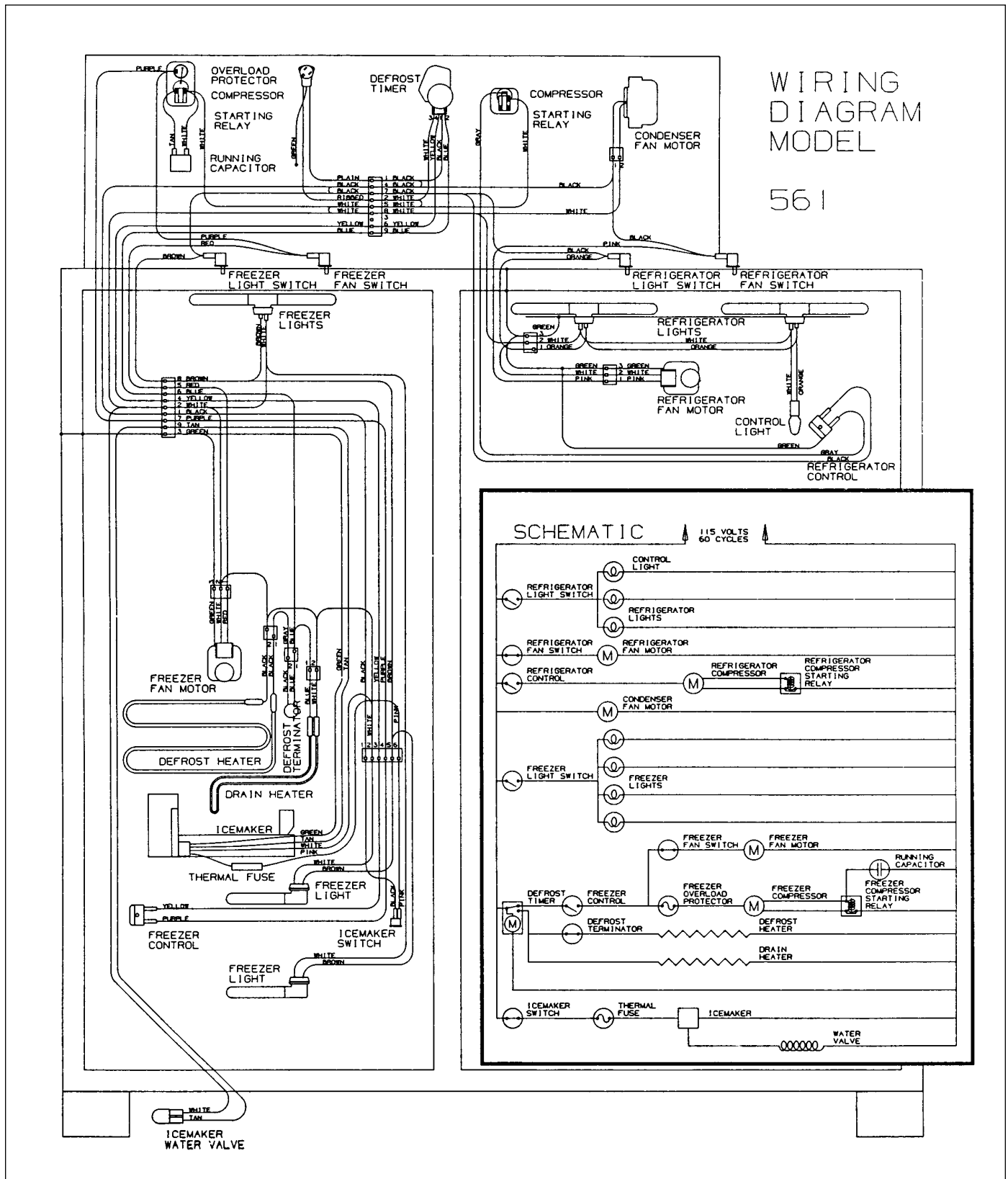
WIRING DIAGRAM & SCHEMATIC - 561
 Madison Production Prior to Serial #M680766
 (NOTE: See Page 6-36 for start of Phoenix Production Wiring Diagrams)



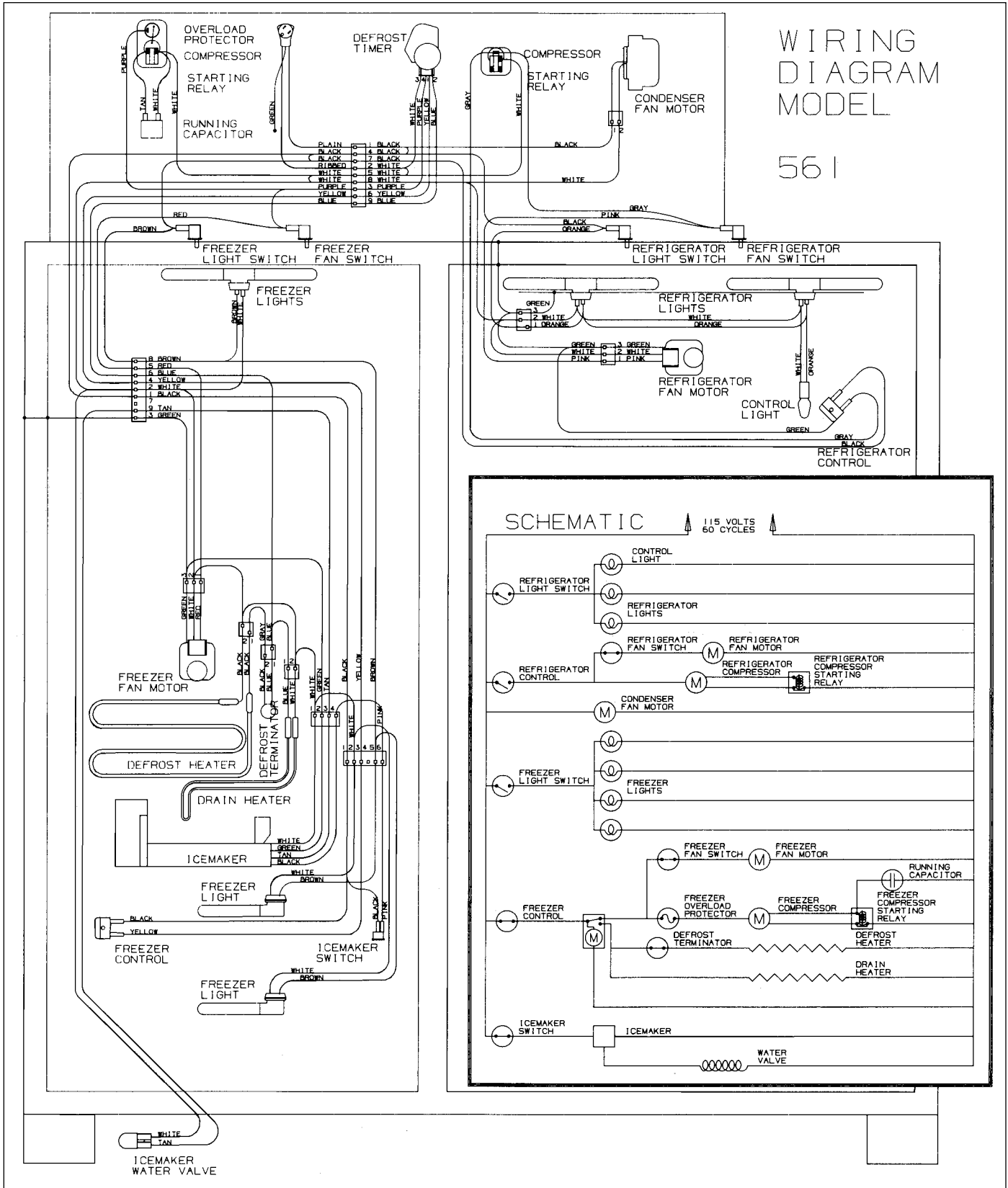
WIRING DIAGRAM & SCHEMATIC - 561

Madison Production From Serial #M680766 to #M816264

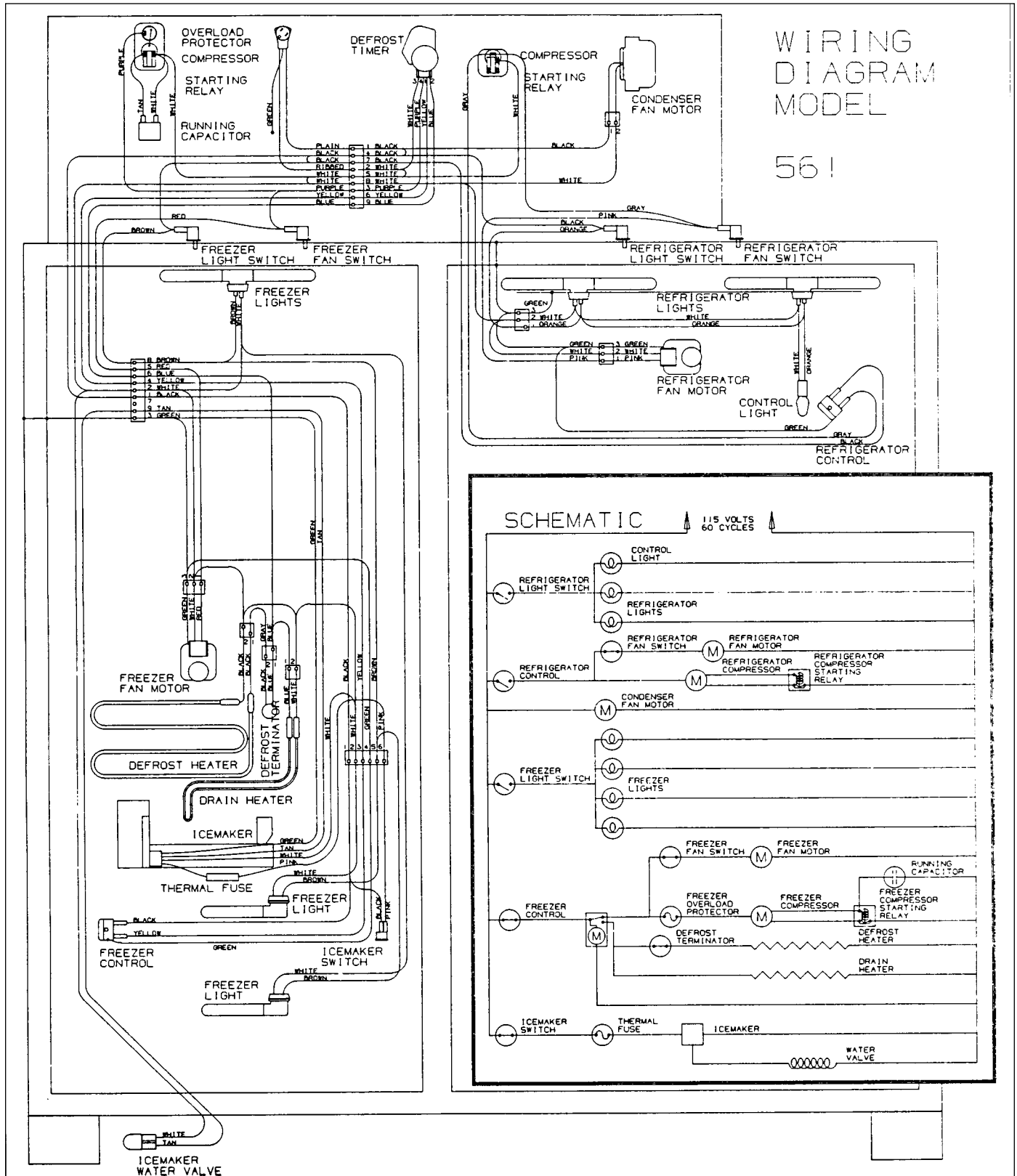
(NOTE: See Page 6-38 for continuation of the next applicable Madison Production serial numbers)



WIRING DIAGRAM & SCHEMATIC - 561
Phoenix Production Prior to Serial #P678866

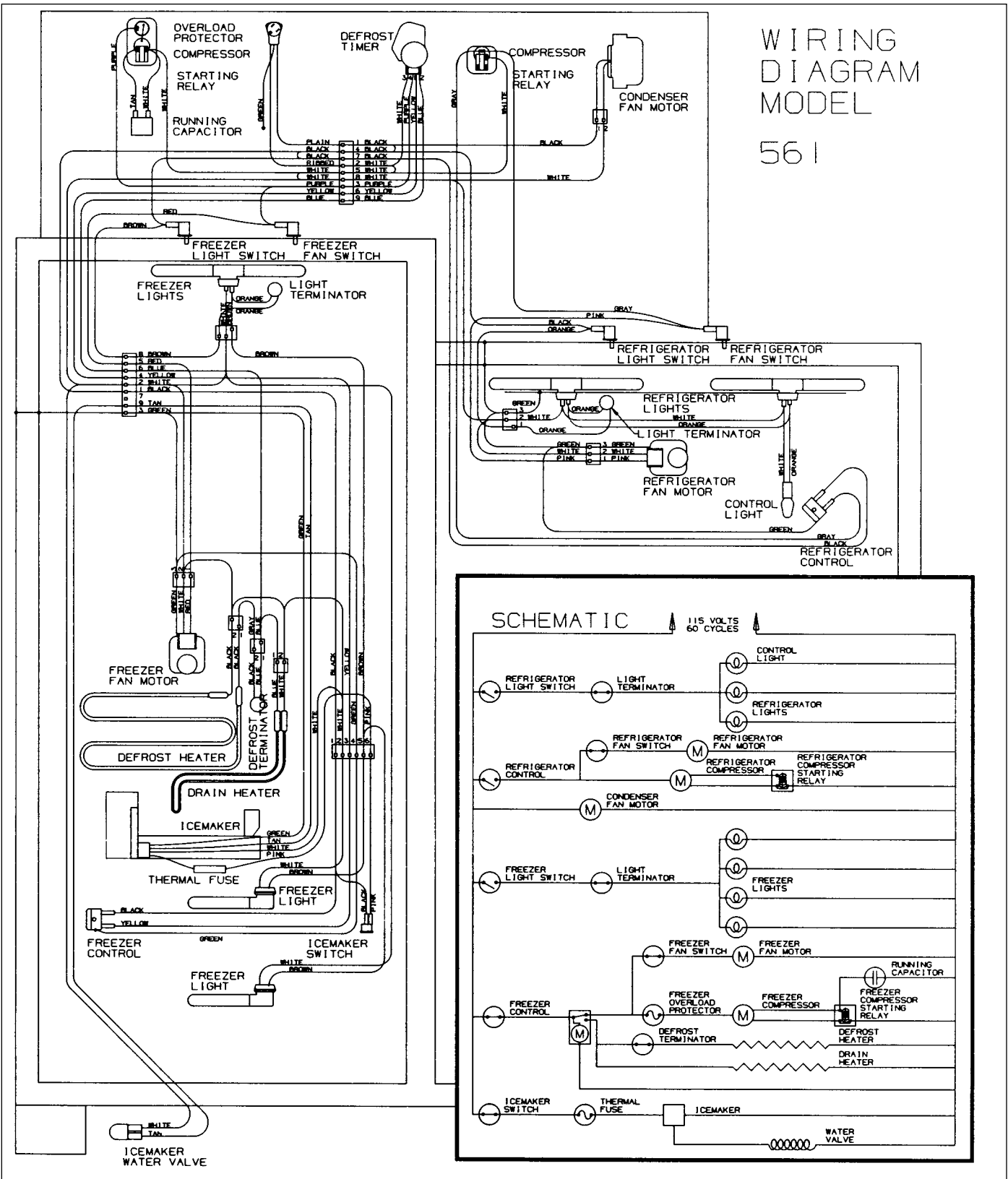


WIRING DIAGRAM & SCHEMATIC - 561
Phoenix Production From Serial #P678866 to #P725322

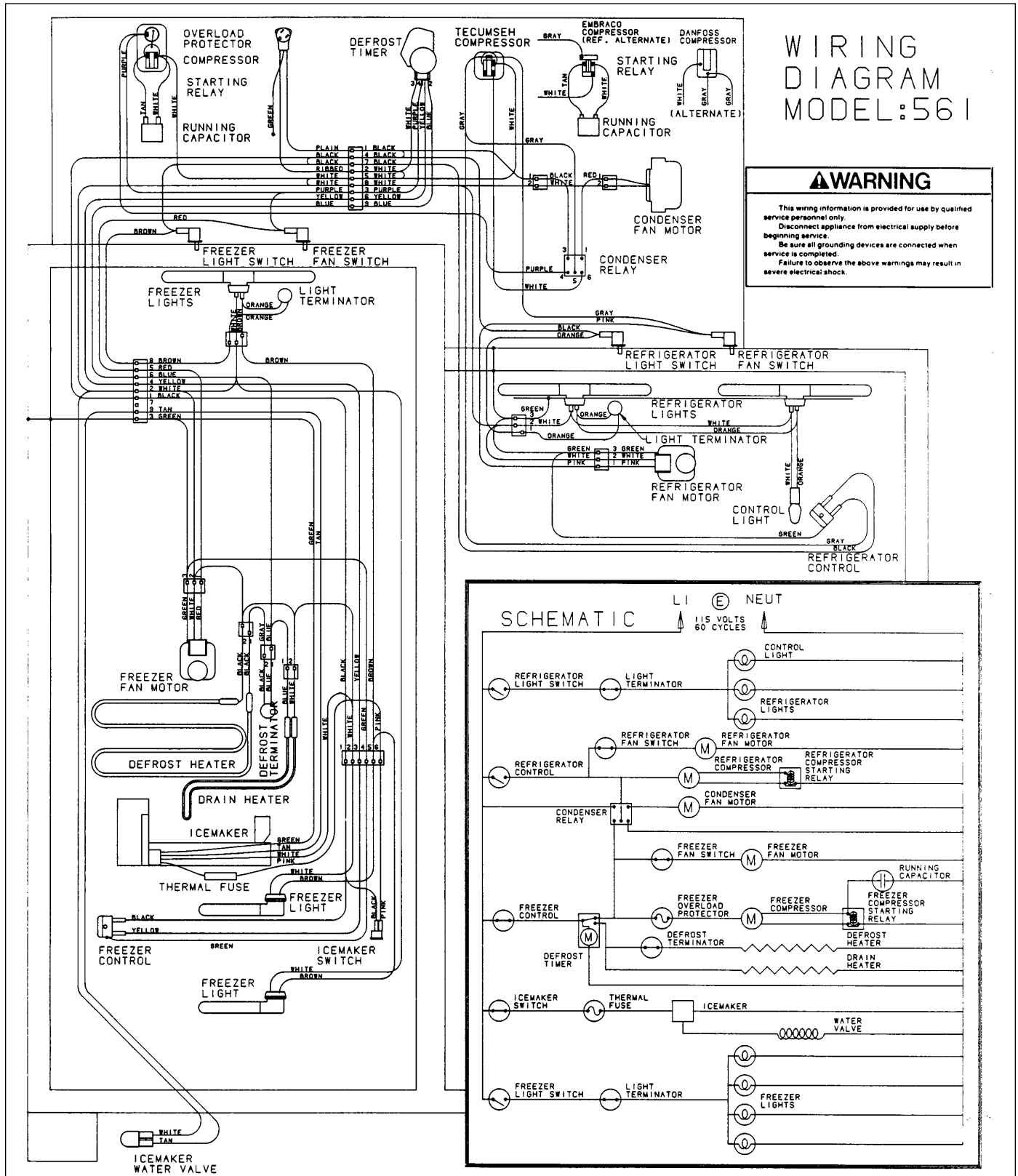


WIRING DIAGRAM & SCHEMATIC - 561
 Madison/Phoenix Production From Serial #M816264/P725322 to #M/P1004775,
 Except Between #M965470 to #M965869

WIRING
 DIAGRAM
 MODEL
 561



WIRING DIAGRAM & SCHEMATIC - 561
Madison/Phoenix Production Starting with Serial #M/P1004775
and Between #M965470 to #M965869



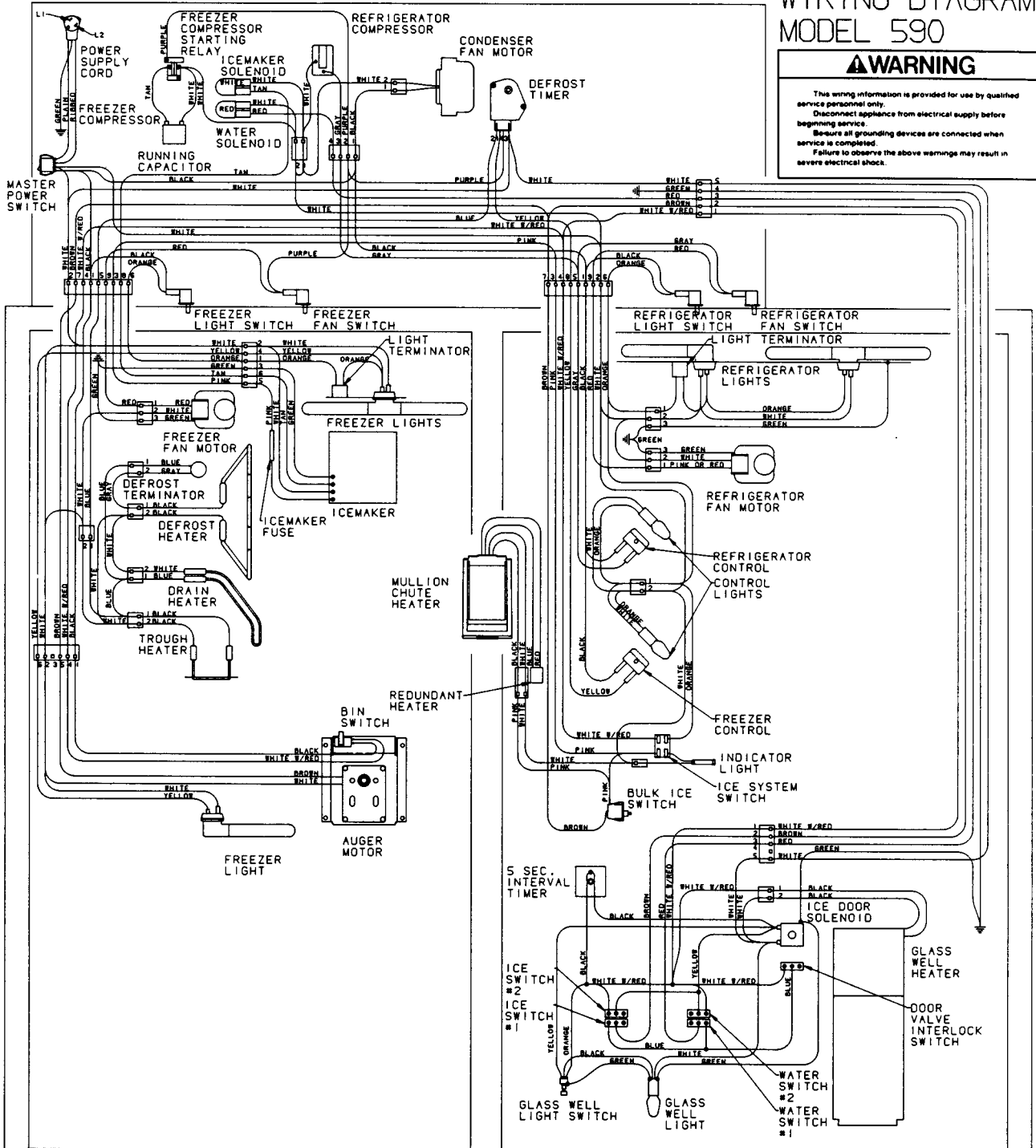
WIRING DIAGRAM - 590

Madison/Phoenix Production Prior to #M/P965870 and From #M/P966269 to #M/P1004775
(See page 6-41 for Schematic)

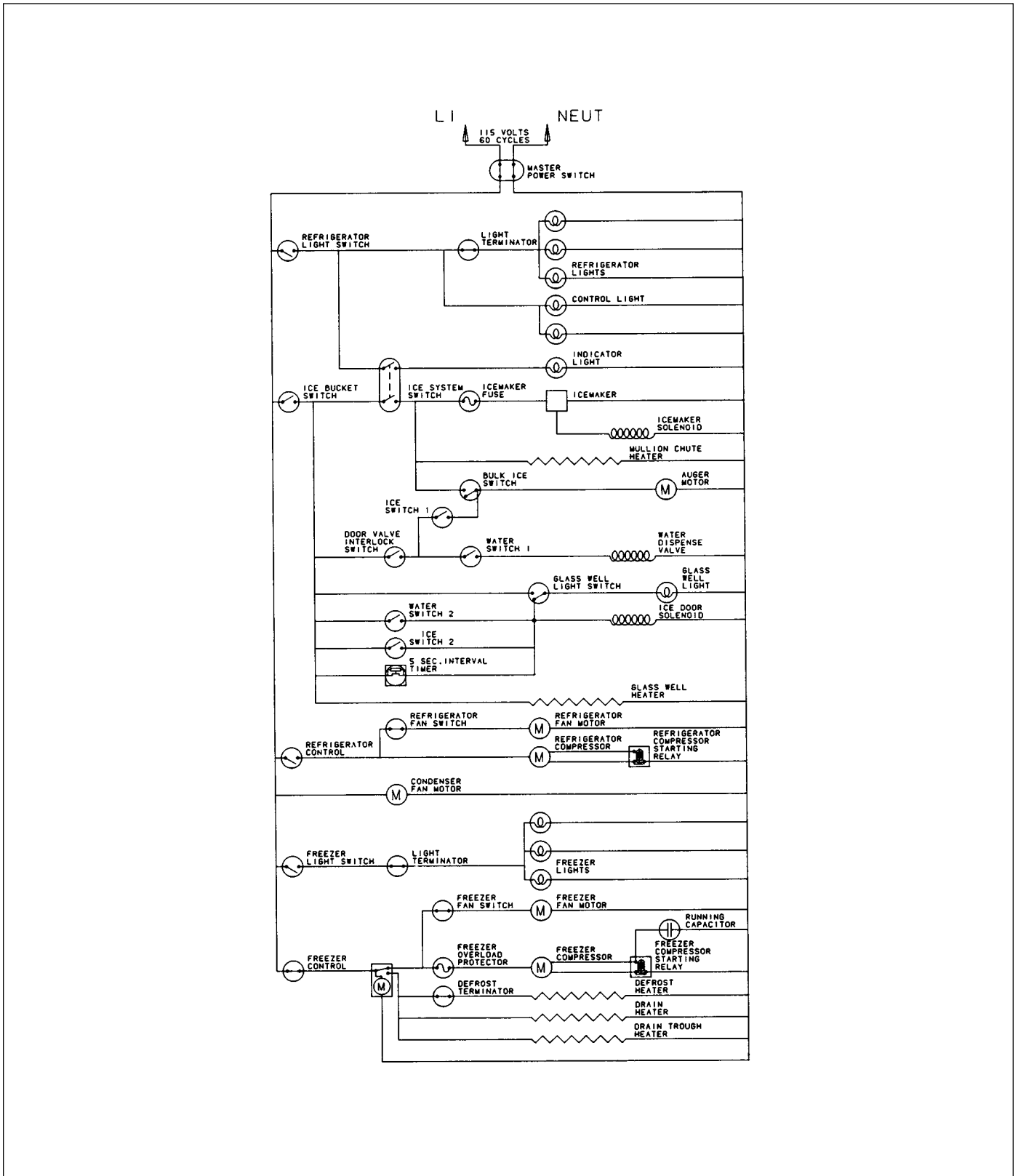
WIRING DIAGRAM
MODEL 590

WARNING

This wiring information is provided for use by qualified service personnel only. Disconnect appliance from electrical supply before beginning service. Ensure all grounding devices are connected when service is completed. Failure to observe the above warnings may result in severe electrical shock.

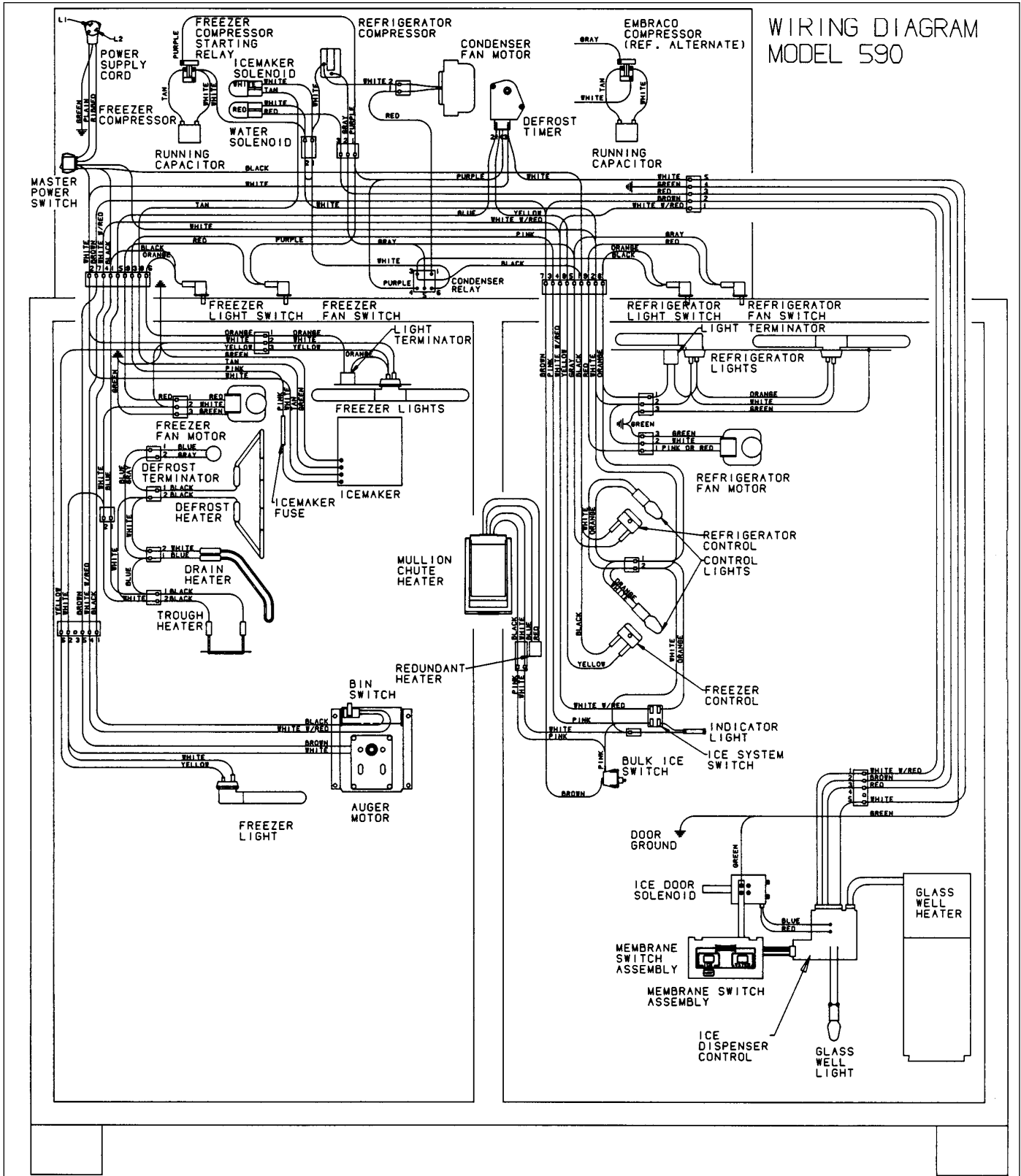


WIRING SCHEMATIC - 590
 Madison/Phoenix Production Prior to #M/P965870 and From #M/P966269 to #M/P1004775

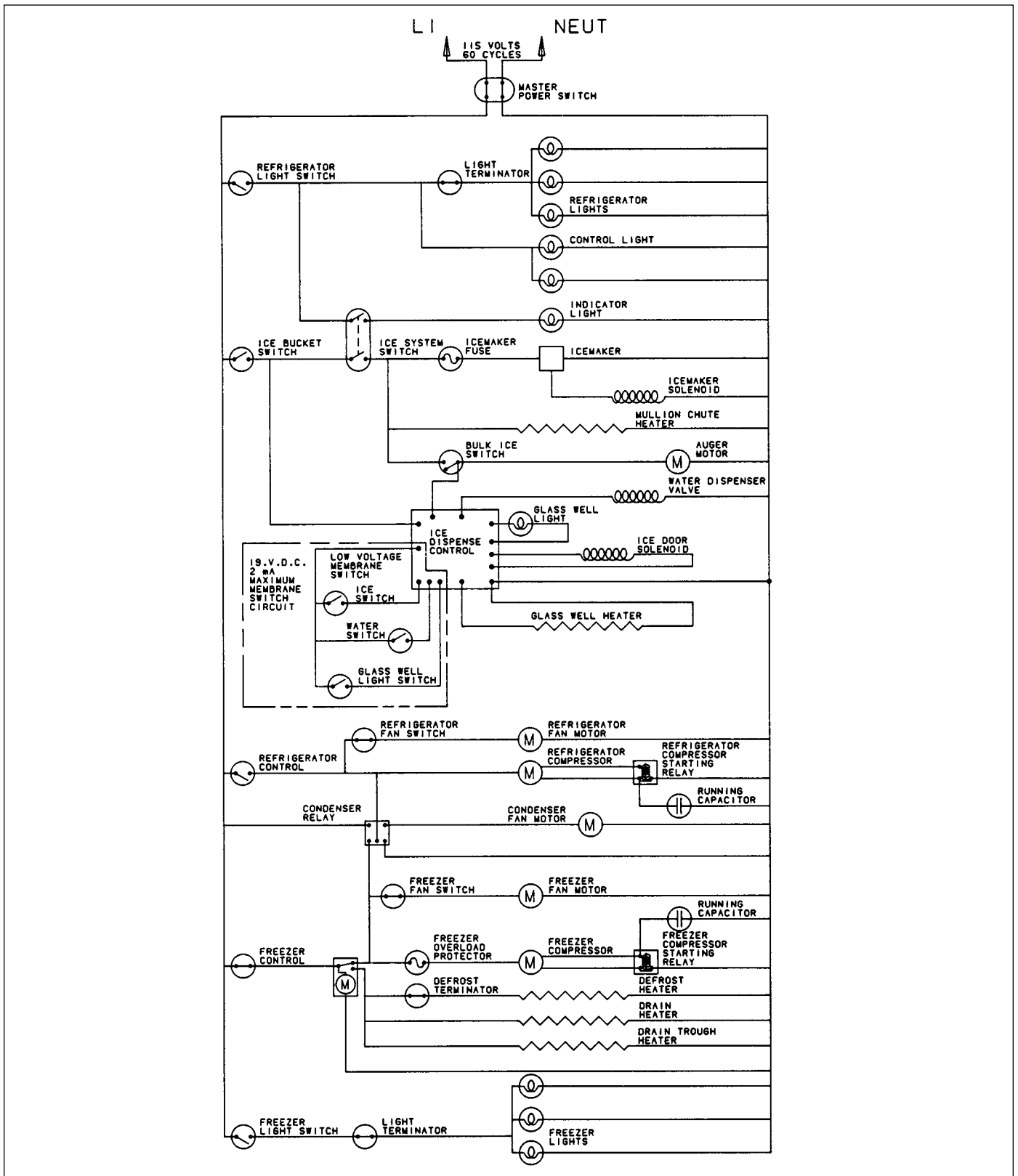


WIRING DIAGRAM - 590
 Madison/Phoenix Production Starting with #M/P1004775 and
 Between #M/P965870 to #M/P966269
 (See page 6-43 for Schematic)

WIRING DIAGRAM
 MODEL 590



WIRING SCHEMATIC - 590
Madison/Phoenix Production Starting with #M/P1004775
and Between #M/P965870 to #M/P966269



NOTES

Lined area for notes, consisting of multiple horizontal lines.