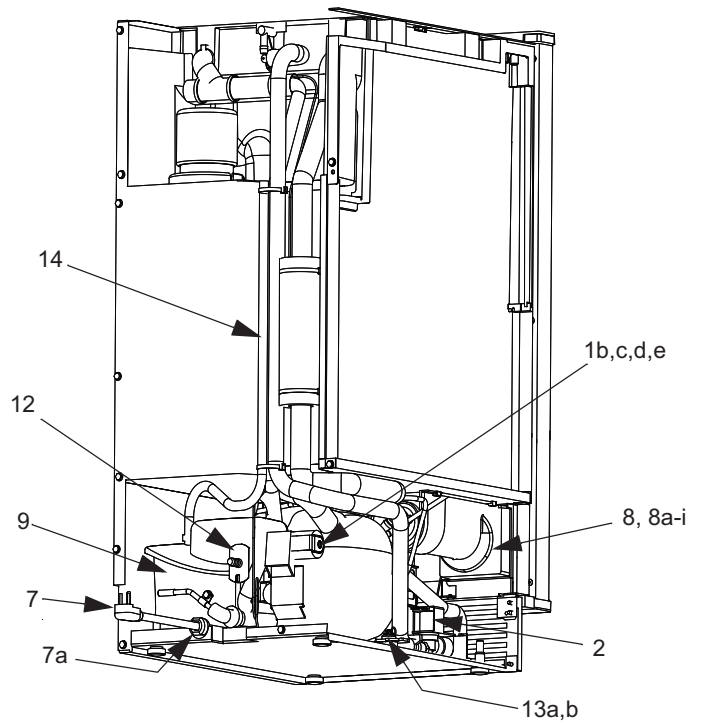
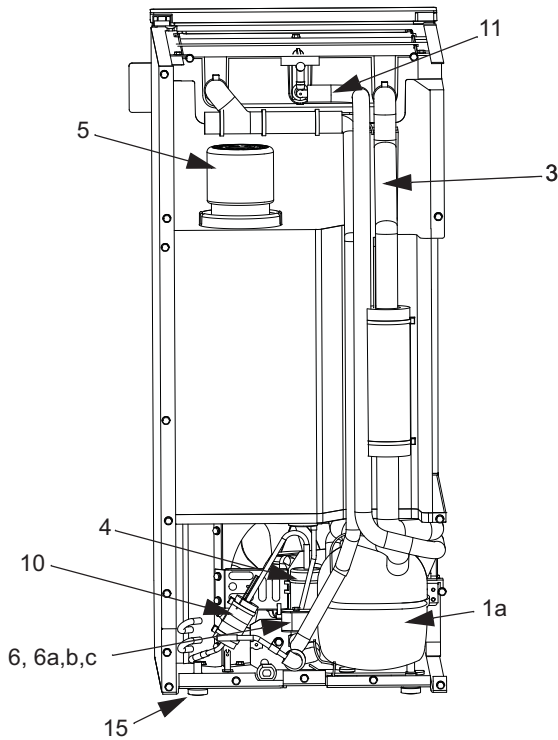




SERVICE PARTS MANUAL



MODEL UC-15I ***(Undercounter Ice Machine)***



INTRODUCTION

This Sub-Zero Service Parts Manual (Job Aid Part #7014804) is a compilation of information and illustrations from Sub-Zero, Inc. and Manitowoc FSG Operations, Inc. The information in this manual has been produced for Sub-Zero service training and service repair purposes with permission from Manitowoc FSG Operations, Inc.

NOTE: The following may be listed after some part descriptions:

“(See SN Breaks)” = See Serial Number Breaks in Price List

TABLE OF CONTENTS

Table with 2 columns: Content and Page #. Includes entries for Model UC-15I Control Box Area, Evaporator and Ice Bin Area, Refrigeration Compartment, and Panels.

TECHNICAL ASSISTANCE

If you should have any questions regarding a Sub-Zero appliance and/or this manual, please contact:

Sub-Zero, Inc.
ATTN: Service Department
P.O. Box 44988
Madison, WI 53744 - 4988

Customer Assistance
Phone #: (800) 222 - 7820
Facsimile #: (608) 441 - 5887

Technical Assistance
(For Technicians in Customer's Homes Only)
Phone #: (800) 919 - 8324

Warranty Claims
Phone #: (800) 332 - 9513
Facsimile #: (608) 441 - 5886

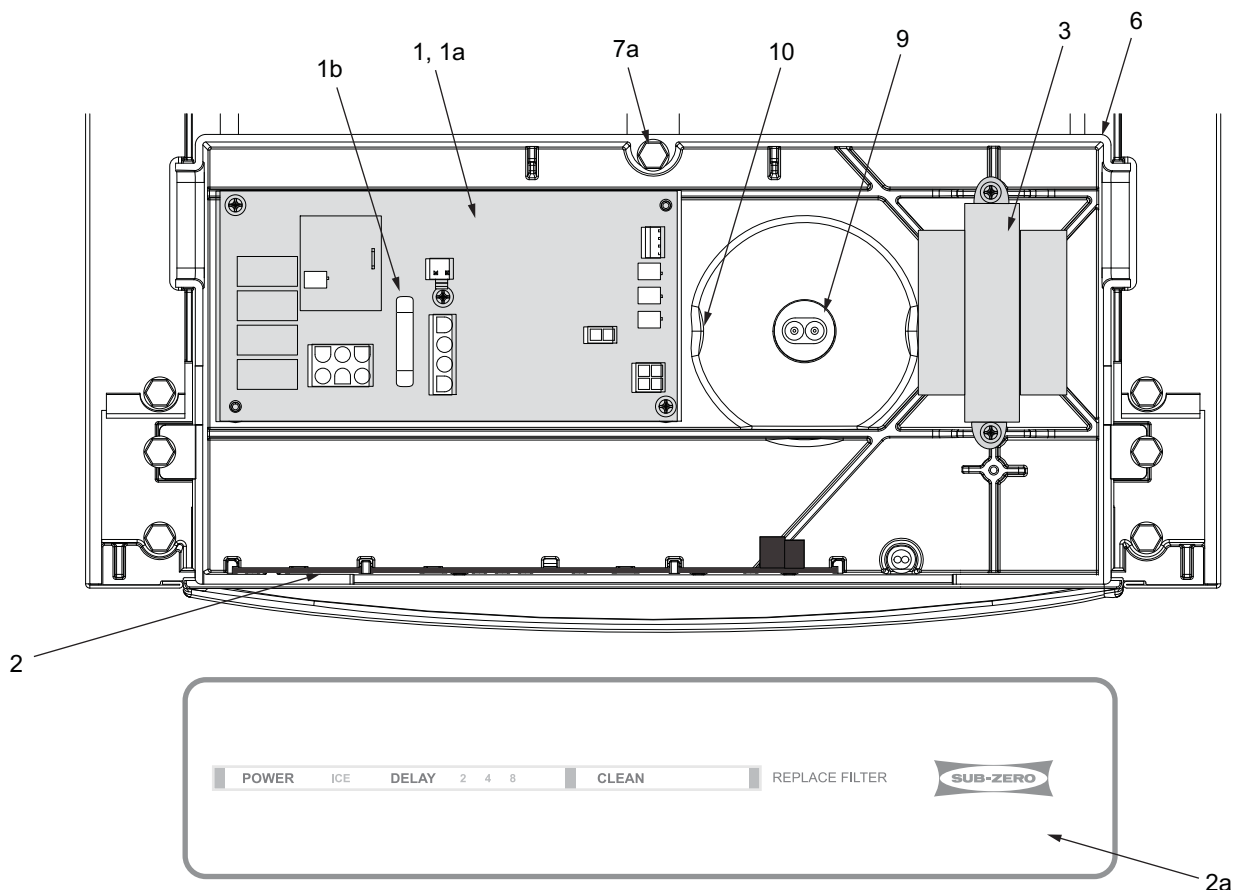
Service Department e-Mail Address:
customerservice@subzero.com

Office Hours:
7:00 AM to 6:00 PM Central Time
Monday through Friday

This manual is designed to be used by Authorized Service Personnel only. Sub-Zero, Inc. assumes no responsibility for any repairs made to a Sub-Zero appliance by anyone other than Authorized Service Technicians.

The information and images contained in this manual are the copyright property of Sub-Zero, Inc. Neither this manual nor any information or images contained herein may be copied or used in whole or in part without the express written consent of Sub-Zero, Inc. ©, all rights reserved.

UC-15I CONTROL BOX AREA



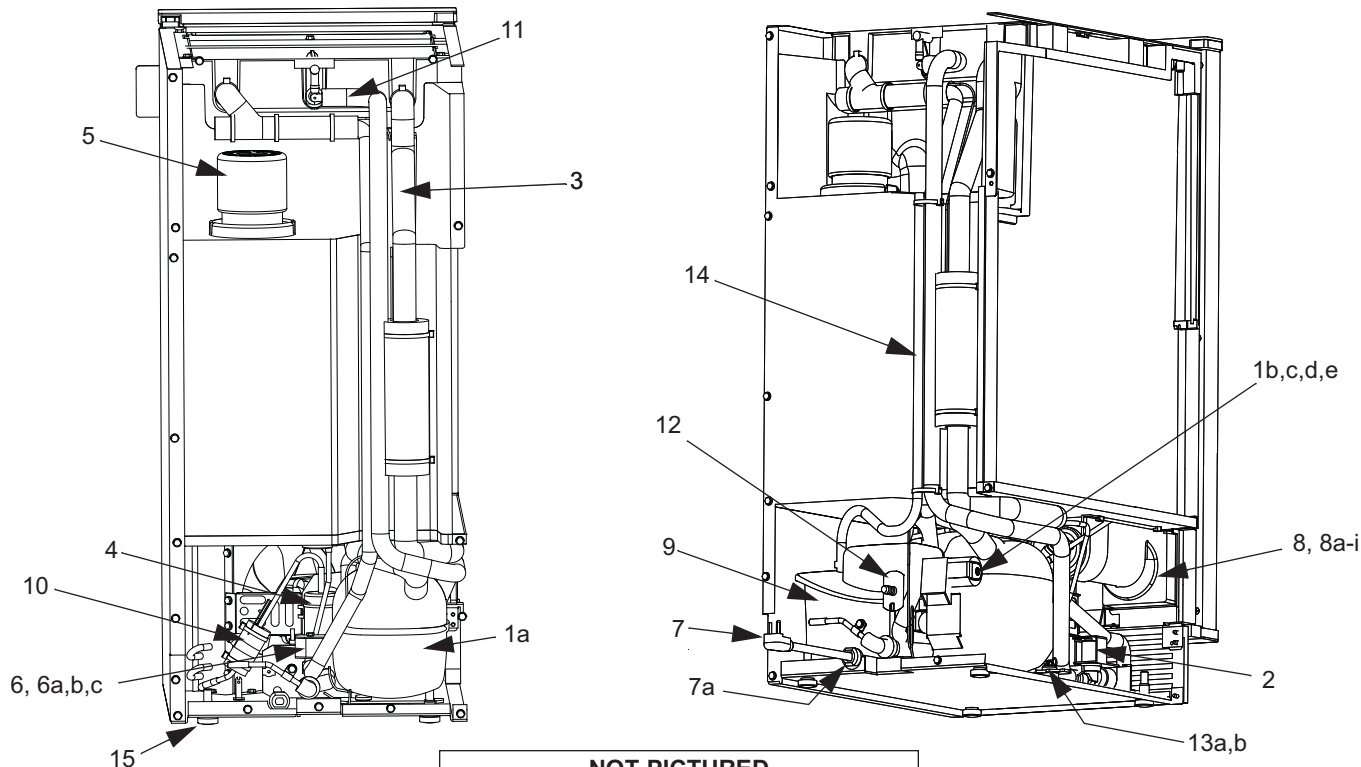
NOT PICTURED

11 Wire Harness - Control Panel to Control Board
 12 Control Box Cover
 13 Wire Harness - Proximity Switch
 14 Wire Harness, High Voltage - Harvest Valve, Water Inlet Valve
 15 Wire Harness, Low Voltage - Toggle Switch, Thermistor
 16 Light bulb

Ref #	Part #	Description
1	7013048	Control, Board Main Svce
1a	7013089	Control, Board Pkg Svce (Includes Control Board & User Interface Board)
1b	7013093	Control, Board 10 Amp Fuse Svce
2	7013049	Control, Board User Interface
2a	7013083	Label, Control Board Svce
3	7013047	Transformer, Svce
4	NA	
5	NA	
6	7013476	Control Box & Label Svce
7	NA	
7a	7013107	Screw, Svce

Ref #	Part #	Description
8a	NA	
8b	NA	
9	7013053	Lampholder, Svce
10	7013055	Cover, Bin Light Svce
NOT PICTURED:		
11	7013050	W/H, Service
12	7013052	Control, Box Cover Svce
13	7013051	Switch, Proximity Svce
14	7013056	W/H, High Voltage
15	7014846	W/H, Low Voltage
16	7013054	Lamp, Light Bulb Svce

UC-15I REFRIGERATION COMPARTMENT - COMMON COMPONENTS

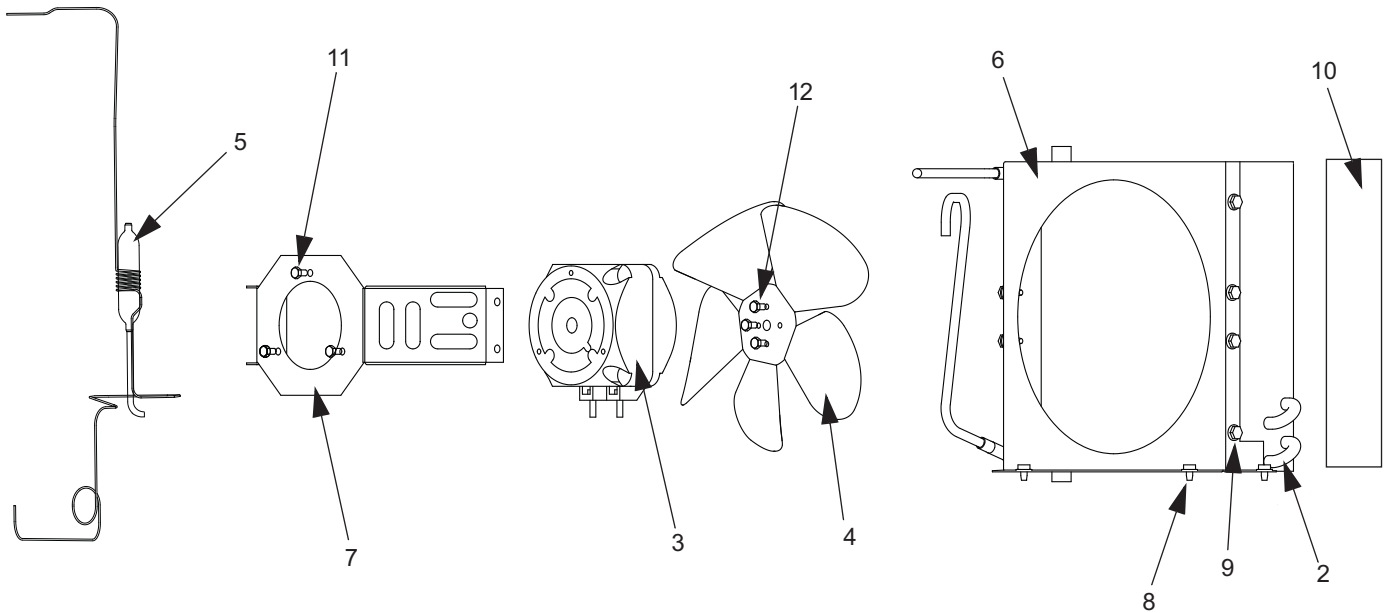


- NOT PICTURED**
- 16 Bin Drain Tube (w/Drain Pump)
 - 17 Bin Drain Tube (w/o Drain Pump)
 - 18 Drain Pump Discharge Tube
 - 19a Drain Pump Clamp, 12mm ID
 - 19b Drain Pump Clamp, 13mm ID
 - 19c Drain Pump Clamp, 22mm ID
 - 20 Drain Tube (19mm ID X 5' Long)

Ref #	Part #	Description
1a	7013091	Compressor, Drier Assy, Svce
1b	7013061	Relay, Start Svce
1c	7013204	Cover, Start Relay Svce
1d	7013062	Capacitor Start Svce
1e	7013063	Overload Protector, Svce
2	7013201	Valve, Harvest Svce
3	7013065	Heat Exchanger, Svce
4	7013202	Drier, Line Svce
5	7013196	Pump, Water (Circulating Pump)
6	7013066	Valve, Water Inlet Svce
6a	7013068	Valve, Water Inlet Bracket Svce
6b	7013067	Valve, Water Inlet Nut Svce
6c	7013069	Valve, Water Inlet Sleeve Svce (Cmprsn)
7	7013070	Cord, Power Svce
7a	7013094	Bushing, Strain Relief Svce
8	7014848	Filter, Water (Sales Accessory)
8a	7013725	Tube, Water Inlet Svce
8b	7013490	Filter, Head Svce
8c	7013046	Fitting, Svce
8d	7013071	Clamp, Svce
8e	7013205	Enclosure, Svce
8f	7013058	Tube, Adapter (Quick-Connect)

Ref #	Part #	Description
8g	7013046	Fitting, Svce
8h	7013045	Tube, Holder 90 Degree Svce
8i	7013099	Tube, Water Line Svce (Filter & Evap)
9	7013197	Pump, Drain Svce
10	7013092	Thermistor, Svce
11	7013505	Tube, Spray Housing Svce
12	7013102	Fitting, Drain Svce
13a	7013114	Clip, Compressor Svce (Hairpin)
13b	7013064	Grommet, Comp Rubber Svce
14	7013487	Tube, Vent Svce
15	7013113	Leg, Leveler Svce
NOT PICTURED:		
16	7013198	Tube, Drain, w/Drain Pump Svce
17	7013199	Tube, Drain, w/o Drain Pump Svce
18	7013488	Tube, Drain Svce
19a	7013479	Clamp, Spring Svce
19b	7013480	Clamp, Spring Svce
19c	7013481	Clamp, Spring Svce
20	7013095	Tube, Drain Svce

UC-15I REFRIGERATION COMPARTMENT - CONDENSING COMPONENTS



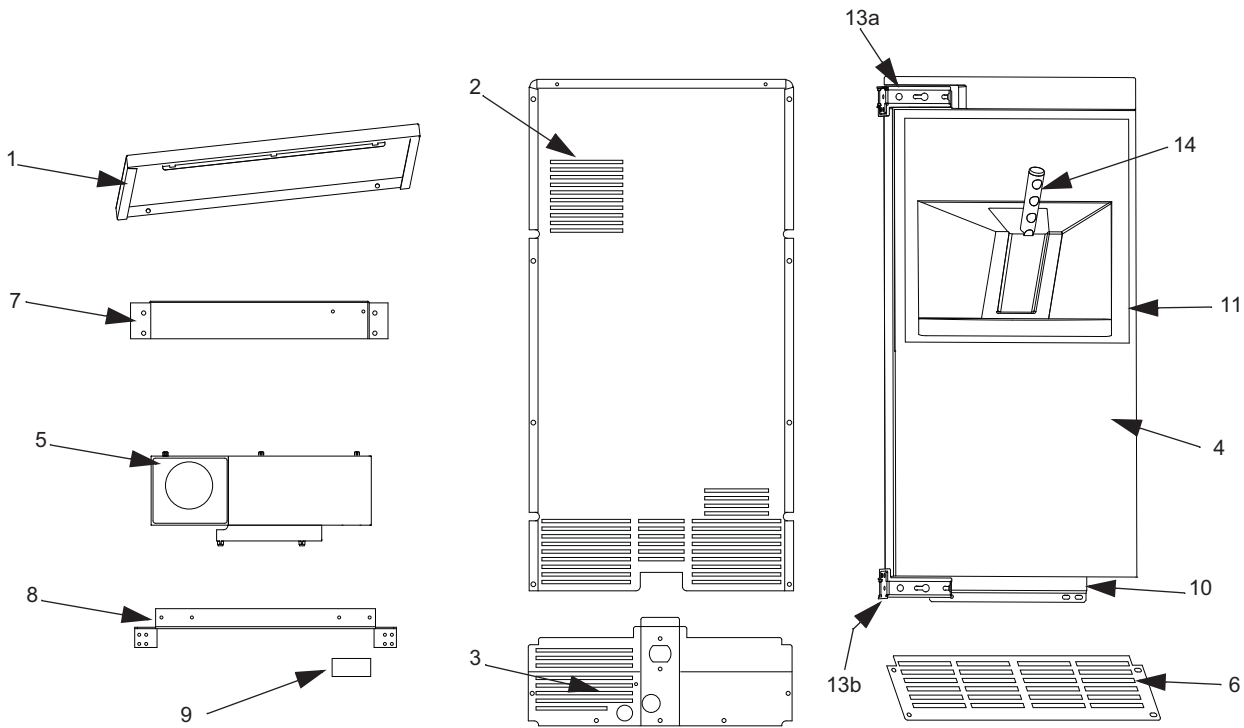
Ref # Part # Description

1	NA	
2	7013203	Condenser, Air Svce
3	7013072	Motor, Fan Svce (Outdoor Use Only)
	7014173	Motor, Fan Indoor Svce (Indoor Only)
4	7013096	Fan Blade, Svce
5	7013065	Heat Exchanger, Svce
6	7013117	Shroud, Fan Svce

Ref # Part # Description

7	7013116	Bracket, Condenser Fan Svce
8	7013118	Bracket, Wire Mount Svce
9	7013105	Screw, Svce (Bracket to Shroud)
10	7013073	Baffle, Air Svce
11	7013106	Screw, Svce (Motor to Bracket)
12	7013108	Screw, Svce

UC-15I PANELS



NOT PICTURED

- 15 Bin Front with Heater Assy
- 16 Door Panel Drilling Template
- 17 Hinge Stop
- 18 Right Hinge Cover
- 19 Left Hinge Cover
- 20 Vertical Door Panel Mounting Bracket
- 21 Filler Panel for 18" Opening (Sales Accessory)
- 22 Stainless Steel Front Panels (Sales Accessory)

Ref #	Part #	Description	Ref #	Part #	Description
1	7013080	Cover, Top Svce			
2	7013086	Panel, Back Svce			
3	7013087	Panel, Back Utility Svce			
4	7013216	Door Assy, Front Svce			
5	7013660	Cover Assy, Lower Svce			
6	7013399	Kickplate, Black Svce			
	7013395	Kickplate, Stainless Steel Svce			
7	7013081	Frame, Top Front Rail Svce			
8	7013082	Frame, Bottom Front Rail Svce			
9	7013206	Slide, Bottom Svce			
10	7013077	Trim, Door Bottom Svce			
11	7013084	Seal, Door Svce			
12	NA				
13a	7013485	Hinge, Outdoor Svce (Top RH, Bot LH)			
13b	7013486	Hinge, Outdoor Svce (Bot RH, Top LH)			
14	7013475	Door, Ice Scoop Svce			
					NOT PICTURED:
			15	7013478	Kit, Heater & SS Panel Svce
			16	7014849	Template, Door Panel Svce
			17	7013076	Hinge, Stop Svce
			18	7013078	Cover, Hinge Right Svce
			19	7013079	Cover, Hinge Left Svce
			20	7013413	Bracket, Door Panel Svce
			21	7012363	Filler, 15" to 18" (Sales Accessory)
			22	7006800	Pnl, 15X30.375, PH
				7006801	Pnl, 17.75X30.375, PH
				7006876	Pnl, 15X30.375, CH
				7006877	Frnt Pnl, 18" 315I SS CH
				7007198	Pnl, 15X30.375,OBR,CLSC,TH
				7007199	Pnl, 17.75X30.375,OBR,CLSC,TH

